



US00D393029S

United States Patent [19]

Koo et al.

[11] Patent Number: **Des. 393,029**

[45] Date of Patent: ****Mar. 31, 1998**

[54] **BATTING PRACTICE MACHINE FOR BASEBALL**

D. 366,679	1/1996	Clements	D21/199
3,006,647	10/1961	Haskett	473/453
5,595,384	1/1997	Hardison, Jr.	473/453

[75] Inventors: **Mun-Koing Koo**, 103-1101 Chungku Apartment, Hansel Masul, 110 Chungja-deng, Bundang-ku, Sungnam-ni, Kyungki-do; **Hyeon-Yong Park**, Seoul, both of Rep. of Korea

Primary Examiner—Ted Shooman
Assistant Examiner—Mitchell I. Siegel
Attorney, Agent, or Firm—Darby & Darby

[73] Assignee: **Mun-Koing Koo**, Kyungki-do, Rep. of Korea

[57] **CLAIM**

The ornamental design for a batting practice machine for baseball, as shown and described.

[**] Term: **14 Years**

DESCRIPTION

[21] Appl. No.: **73,534**

FIG. 1 is a perspective view, from the front, of a batting practice machine for baseball showing our new design; FIG. 2 is a front elevational view thereof; FIG. 3 is a rear elevational view thereof; FIG. 4 is a left side elevational view thereof; FIG. 5 is a right side elevational view thereof; FIG. 6 is a top plan view thereof; and, FIG. 7 is a bottom plan view thereof.

[22] Filed: **Jul. 9, 1997**

[51] LOC (6) Cl. **21-02**

[52] U.S. Cl. **D21/199**

[58] Field of Search D21/199, 210;
73/65.03; 473/453, 451, 564

[56] **References Cited**

U.S. PATENT DOCUMENTS

D. 192,432 3/1962 Haskett et al. D21/199

1 Claim, 5 Drawing Sheets

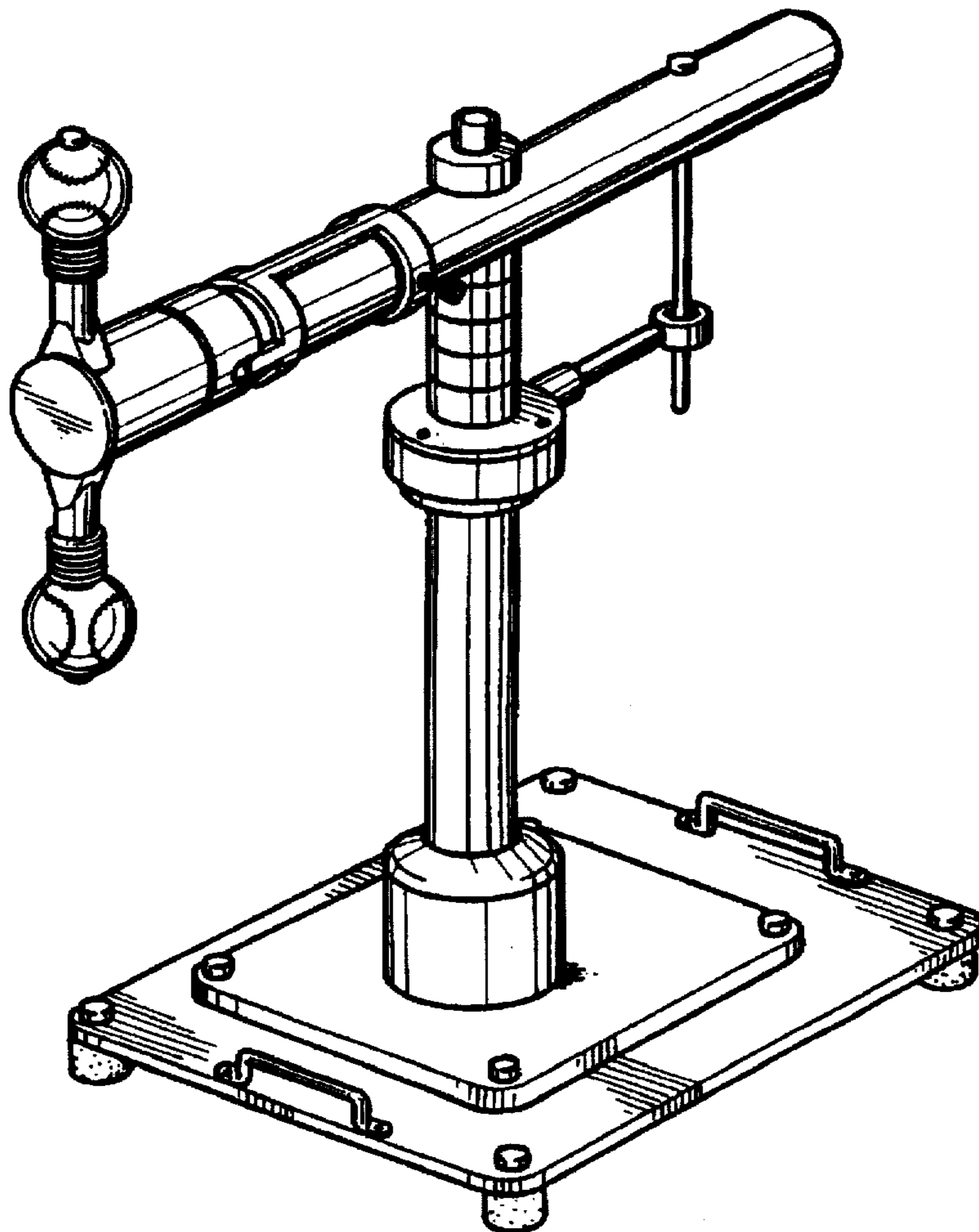


Fig. 1

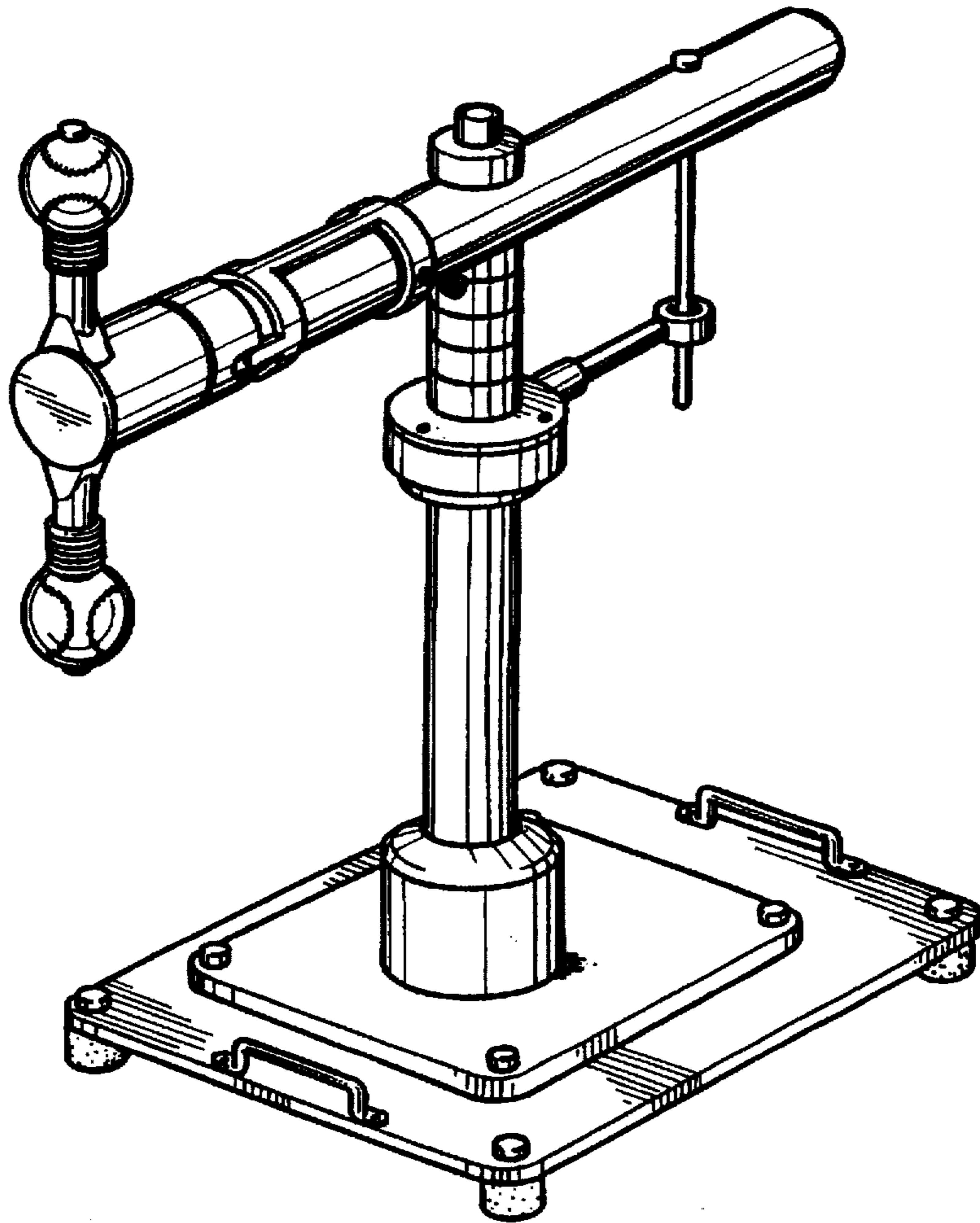


Fig. 2

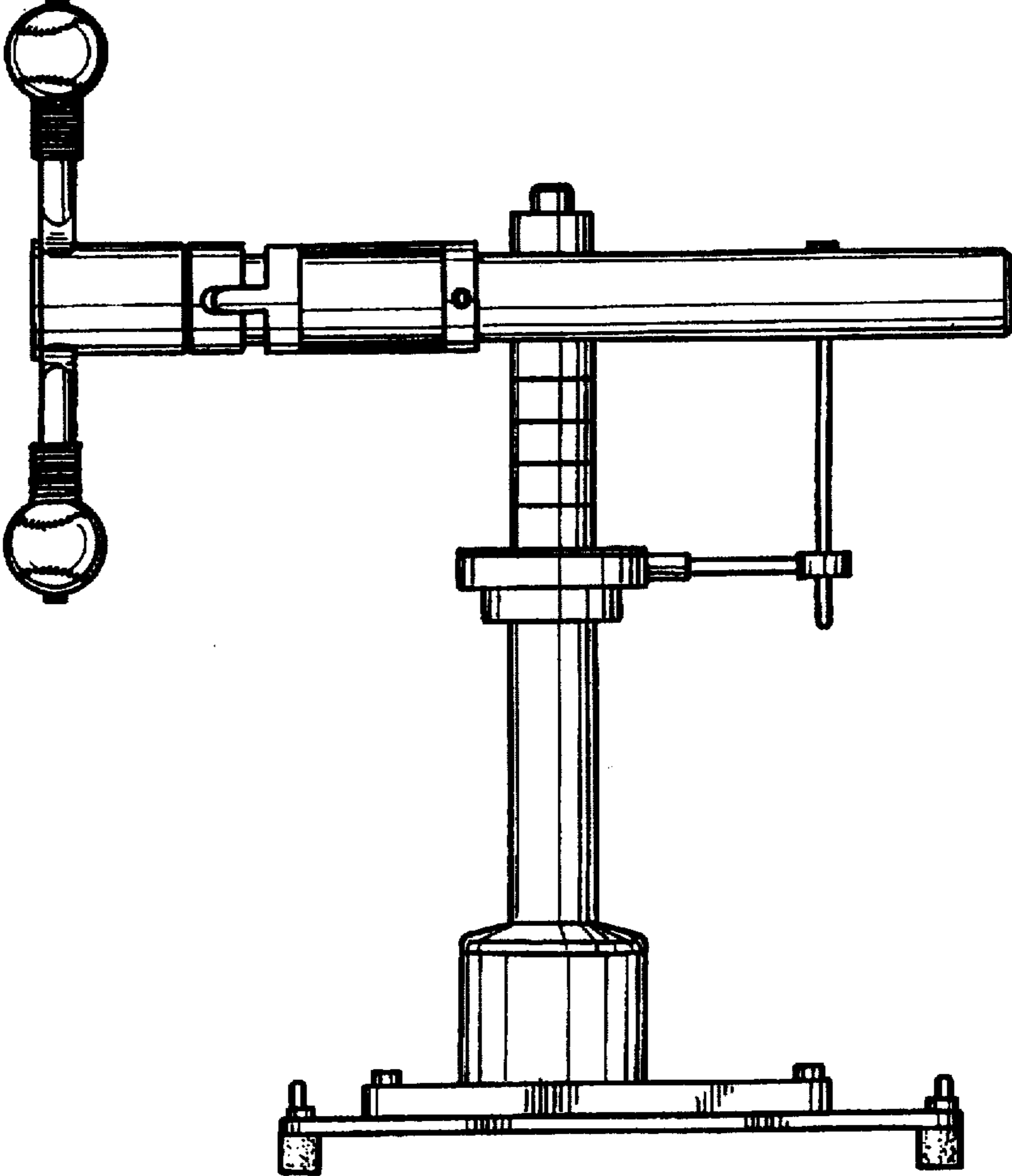


Fig. 3

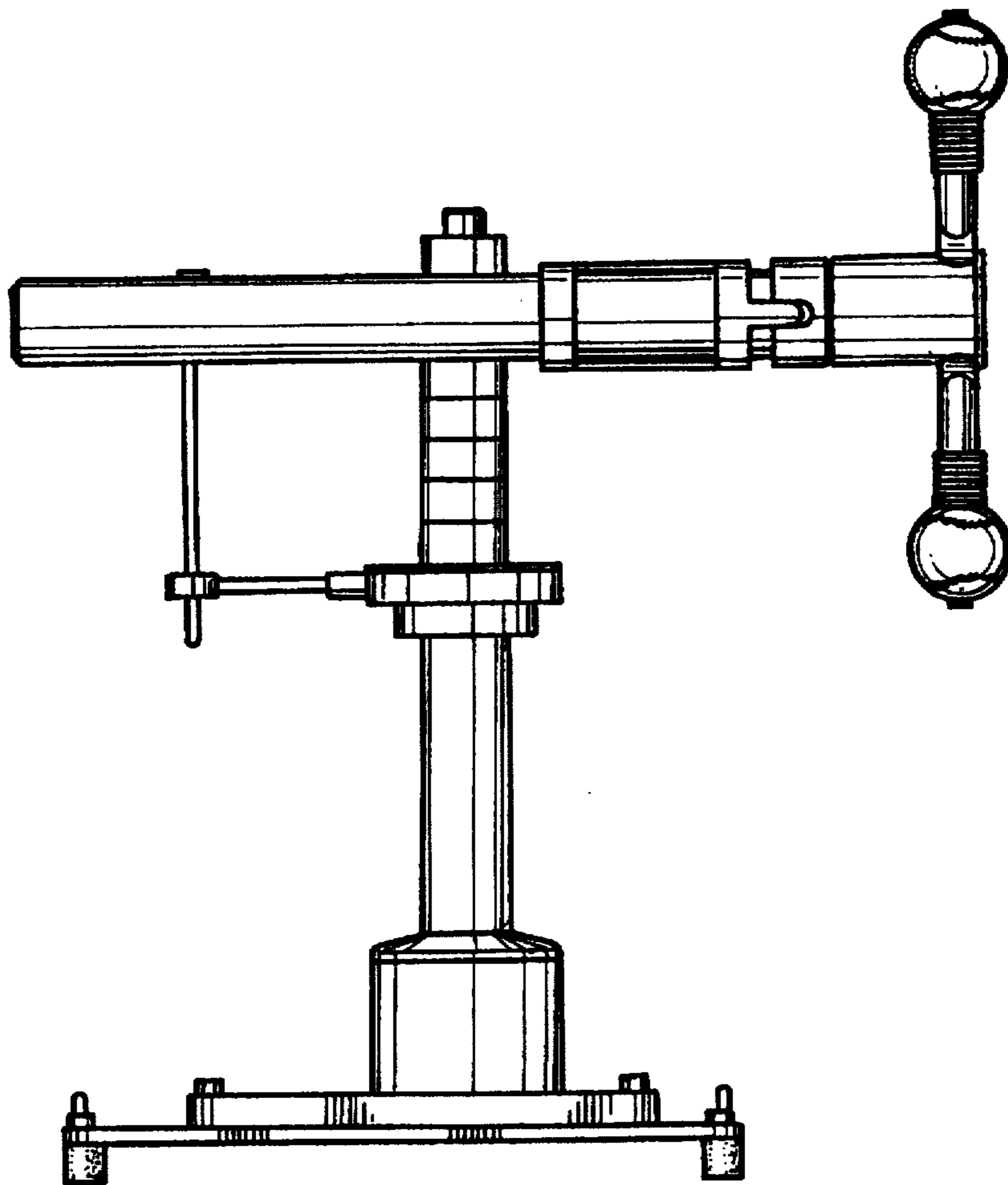


Fig. 4

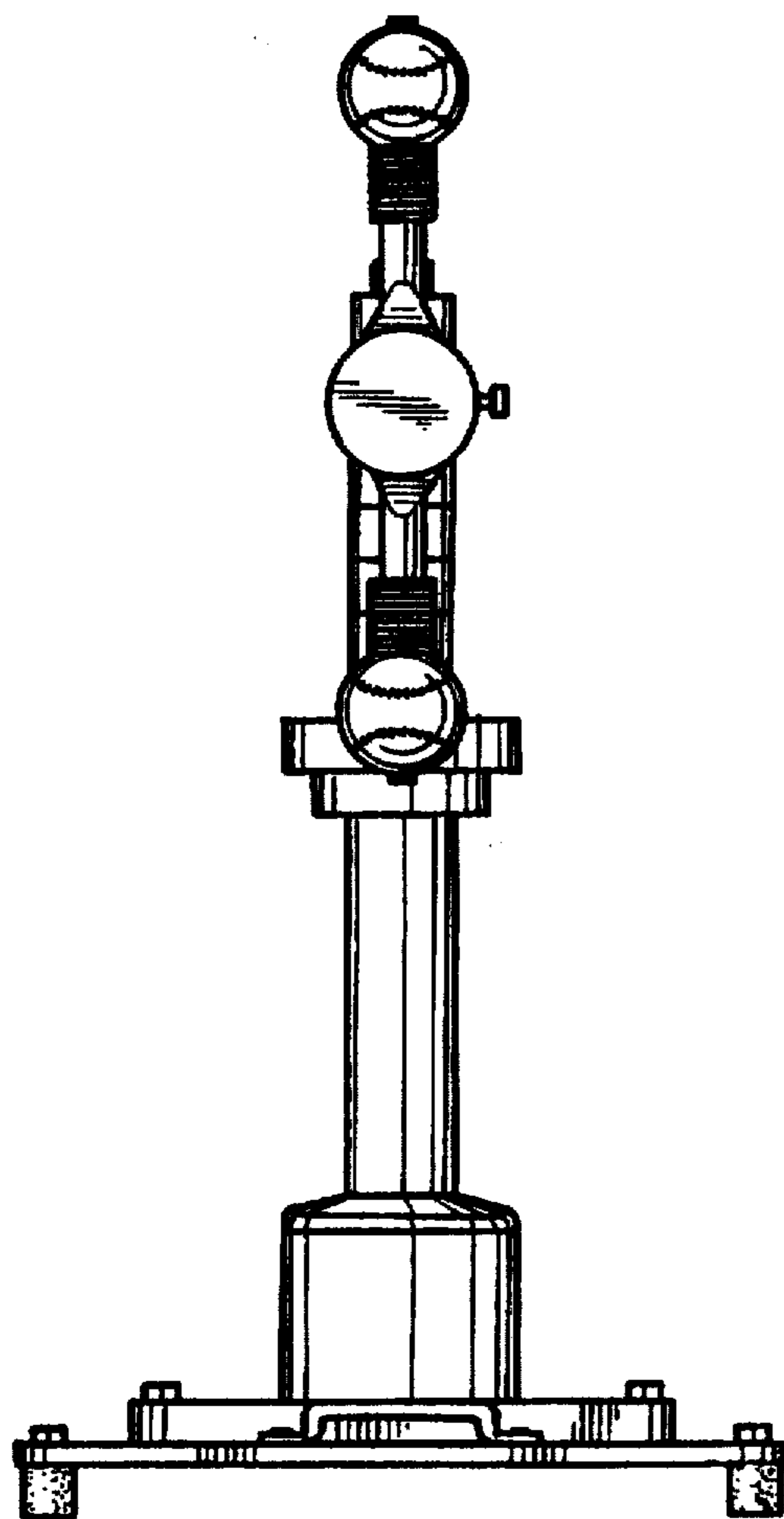


Fig. 5

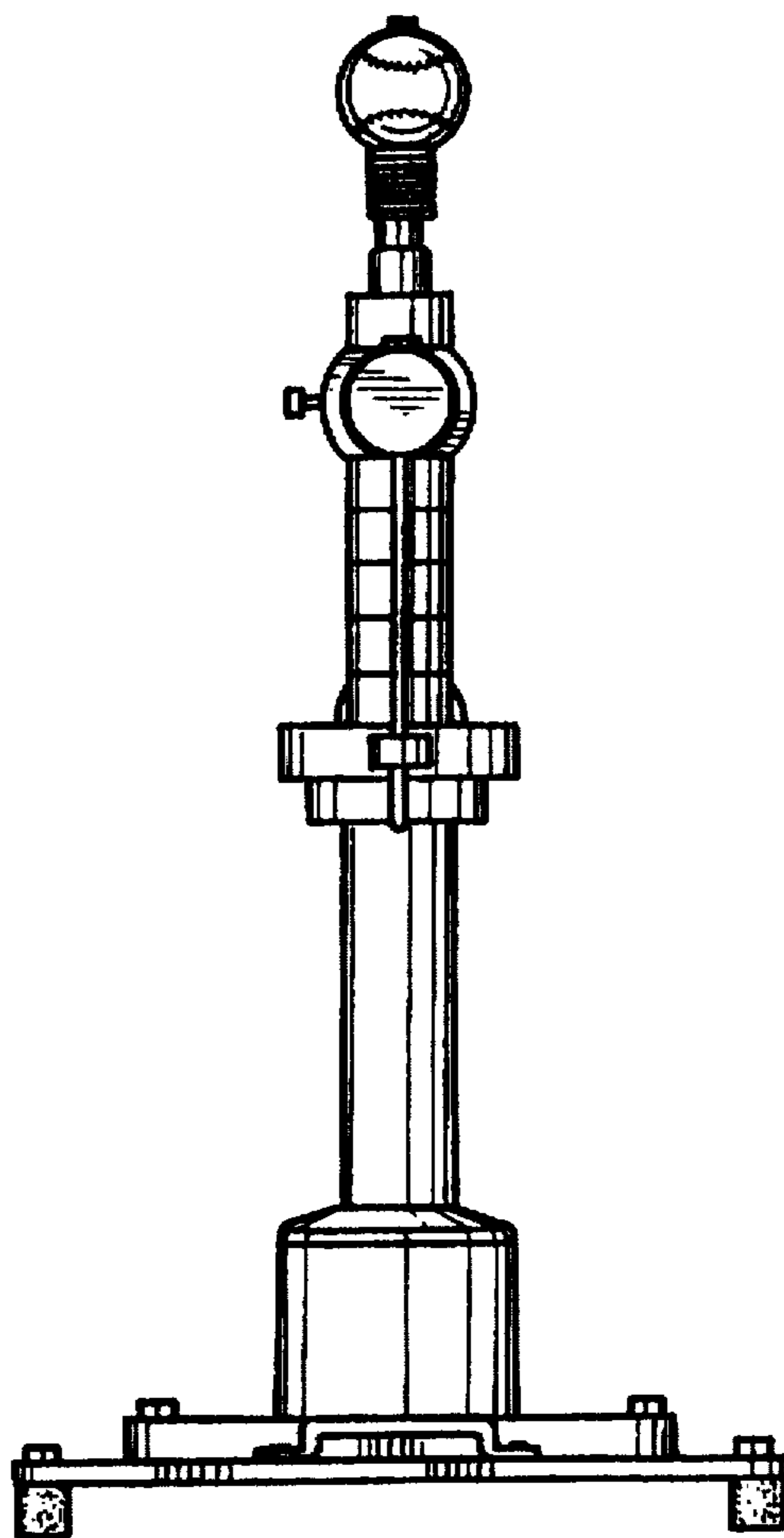


Fig. 6

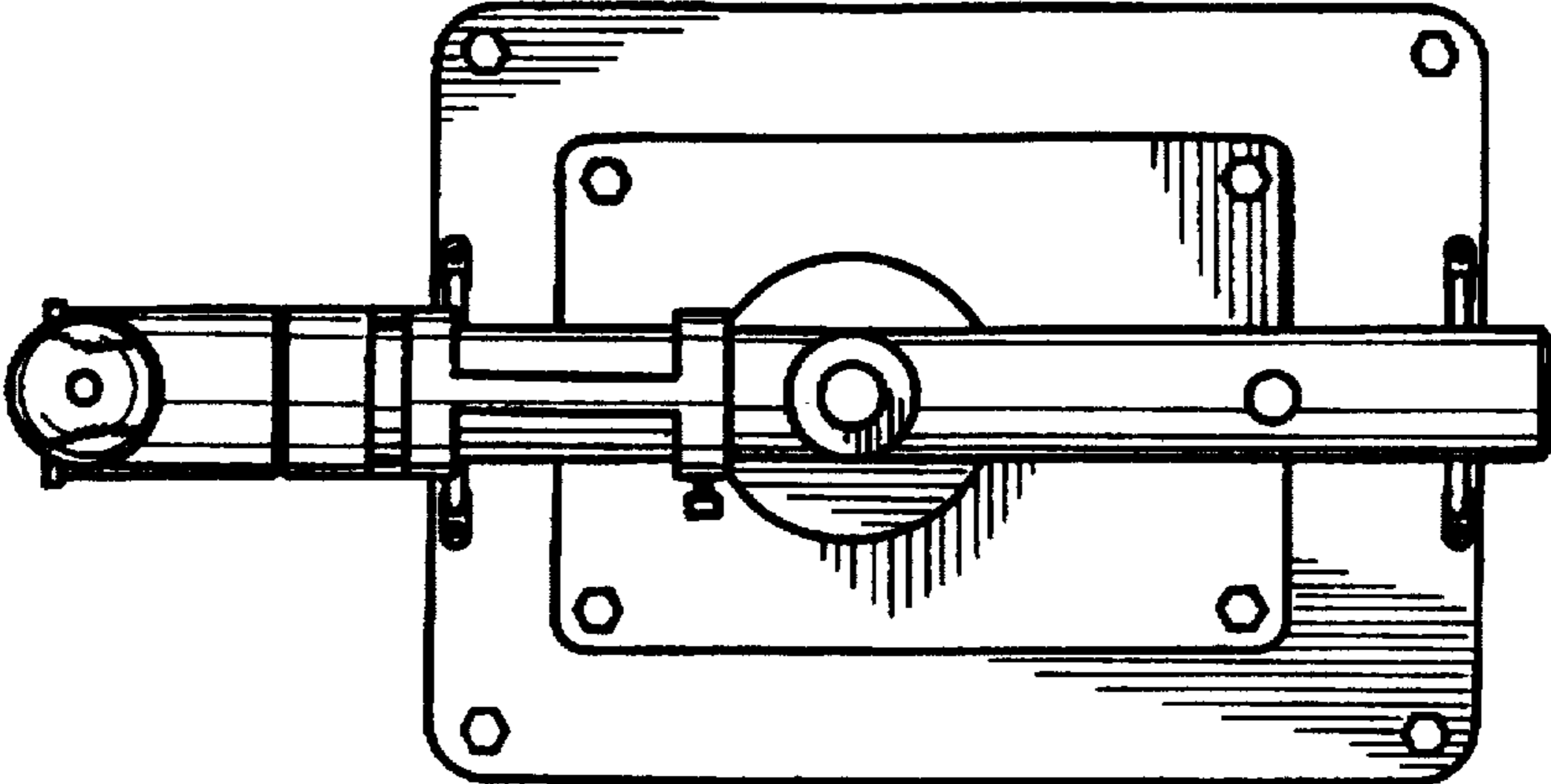


Fig. 7

