



US00D393027S

United States Patent [19]

[11] Patent Number: Des. 393,027

Chen

[45] Date of Patent: **Mar. 31, 1998

[54] **WALKING EXERCISER**

5,529,554	6/1996	Eschenbach	482/70
5,540,637	7/1996	Rodgers, Jr.	482/70
5,562,574	10/1996	Miller	482/51

[76] Inventor: **Chin-Chiao Chen**, No. 1146,
Chung-San Rd. Ta-Chia Chen, Taichung
Hsien, Taiwan

Primary Examiner—Philip S. Hyder
Attorney, Agent, or Firm—Knobbe, Martens, Olson & Bear,
LLP

[**] Term: **14 Years**

[57] **CLAIM**

[21] Appl. No.: **68,159**

The ornamental design for a walking exerciser, as shown and described.

[22] Filed: **Mar. 17, 1997**

[51] LOC (6) Cl. **21-02**

[52] U.S. Cl. **D21/191; D21/194**

[58] Field of Search D21/191, 192,
D21/193, 194, 195; 482/51, 52, 53, 70,
71, 74, 57

DESCRIPTION

FIG. 1 is a perspective view of walking exerciser showing my new design;

FIG. 2 is a left side elevational view thereof;

FIG. 3 is a right side elevational view thereof;

FIG. 4 is a front elevational view thereof;

FIG. 5 is a rear elevational view thereof;

FIG. 6 is a top plan view thereof; and,

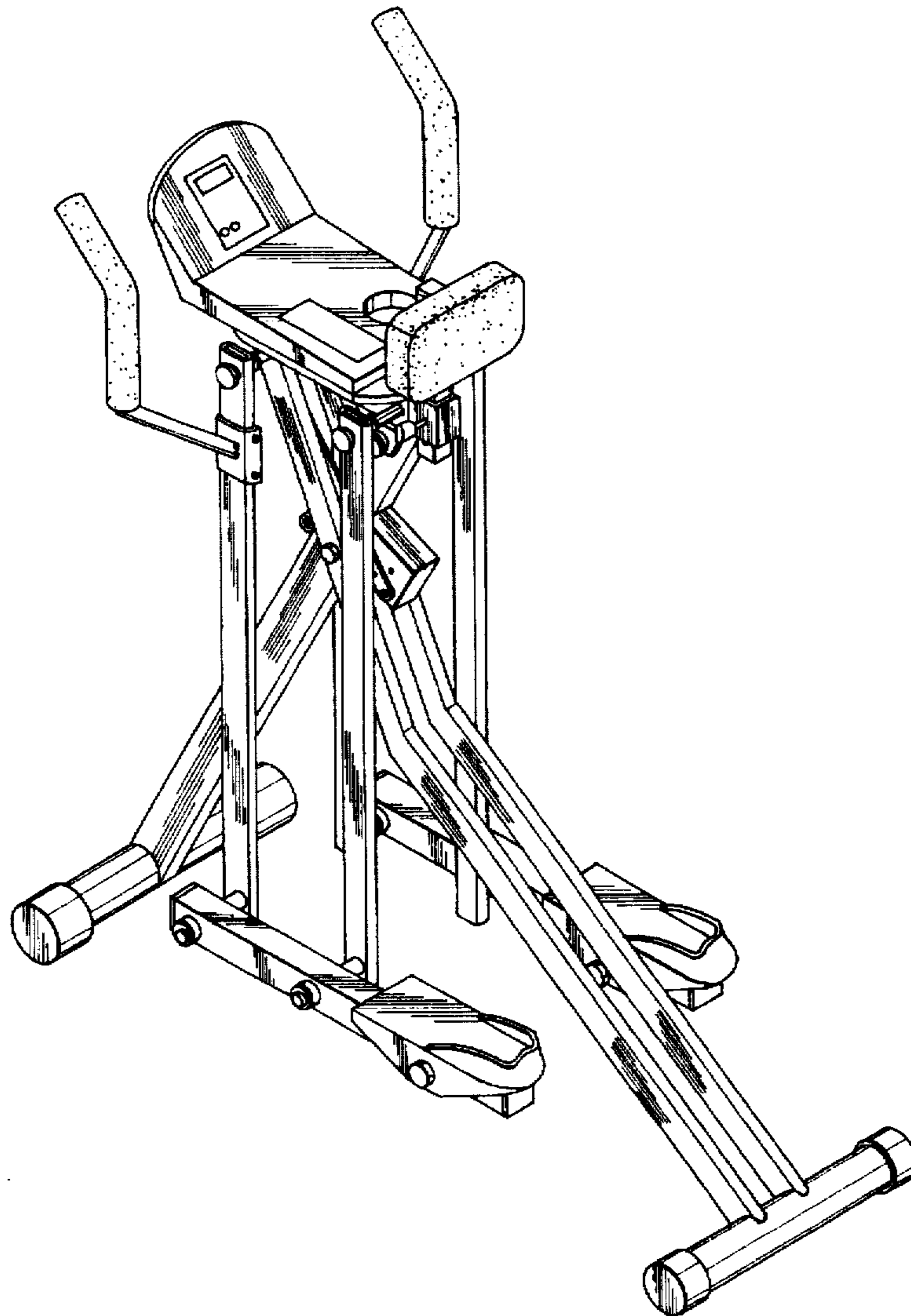
FIG. 7 is a bottom plan view thereof.

[56] **References Cited**

U.S. PATENT DOCUMENTS

D. 372,282	7/1996	Pasero et al.	D21/191
5,336,141	8/1994	Vittone	482/70
5,401,226	3/1995	Stearns	482/70

1 Claim, 4 Drawing Sheets



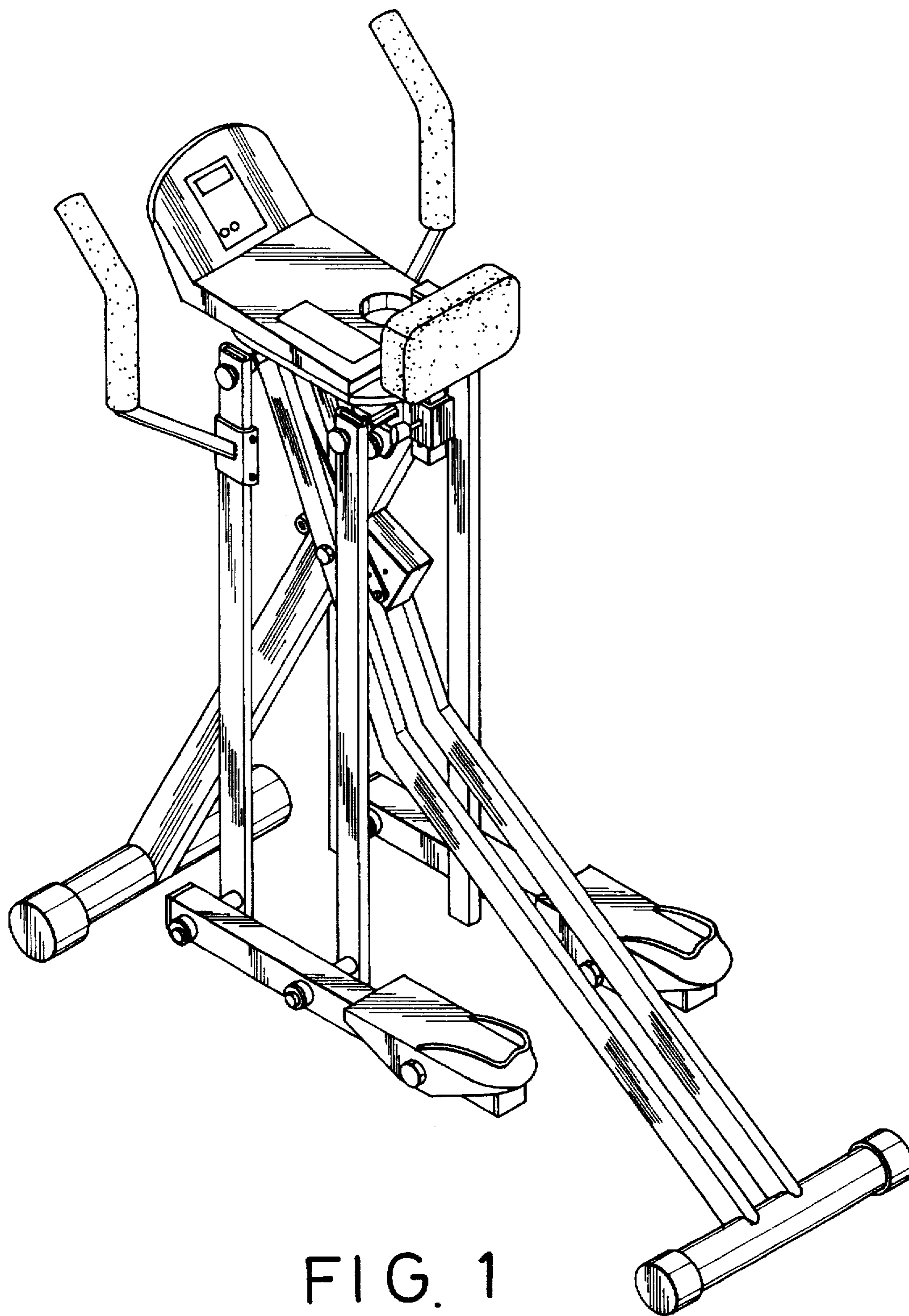


FIG. 1

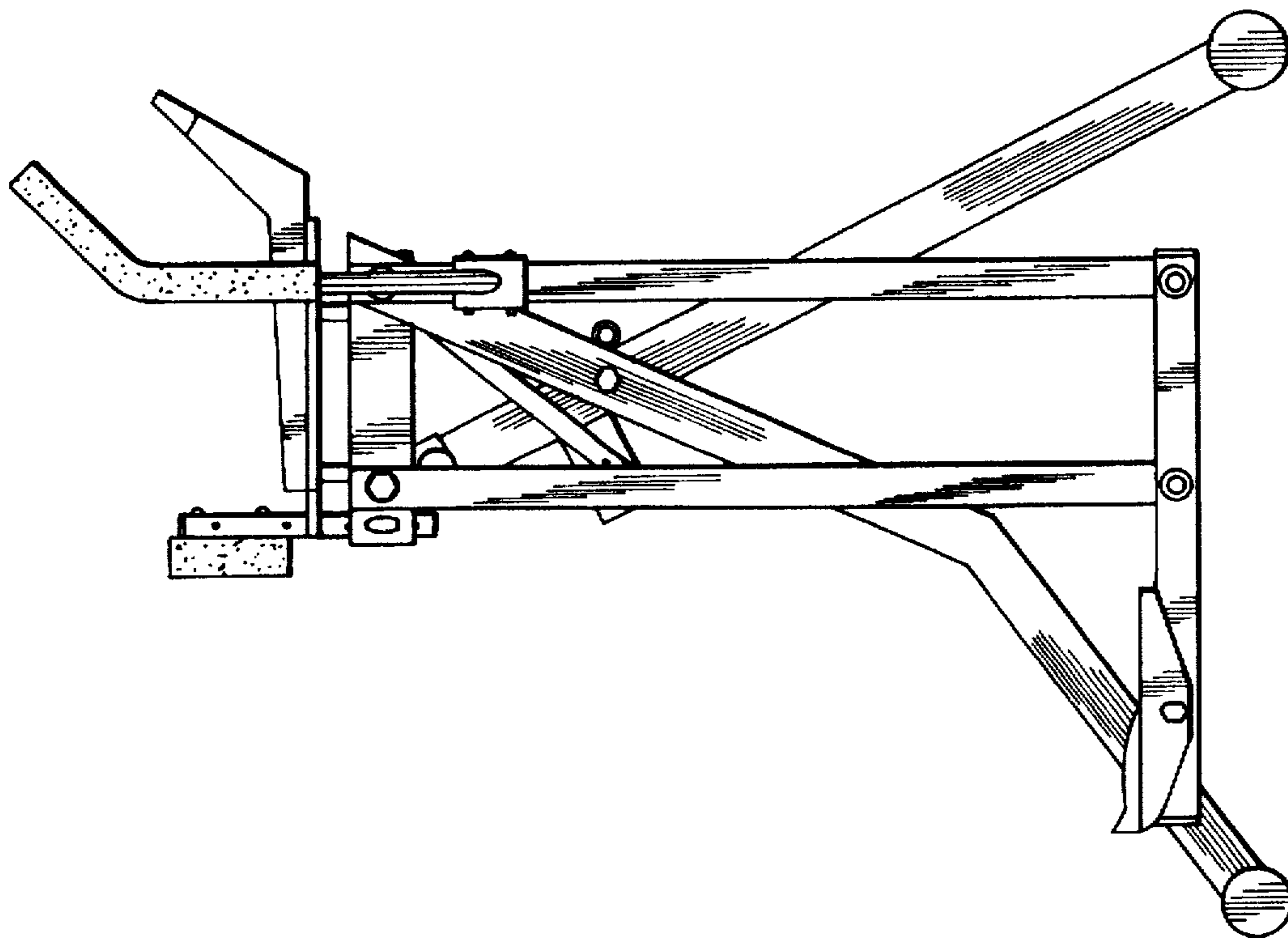


FIG. 2

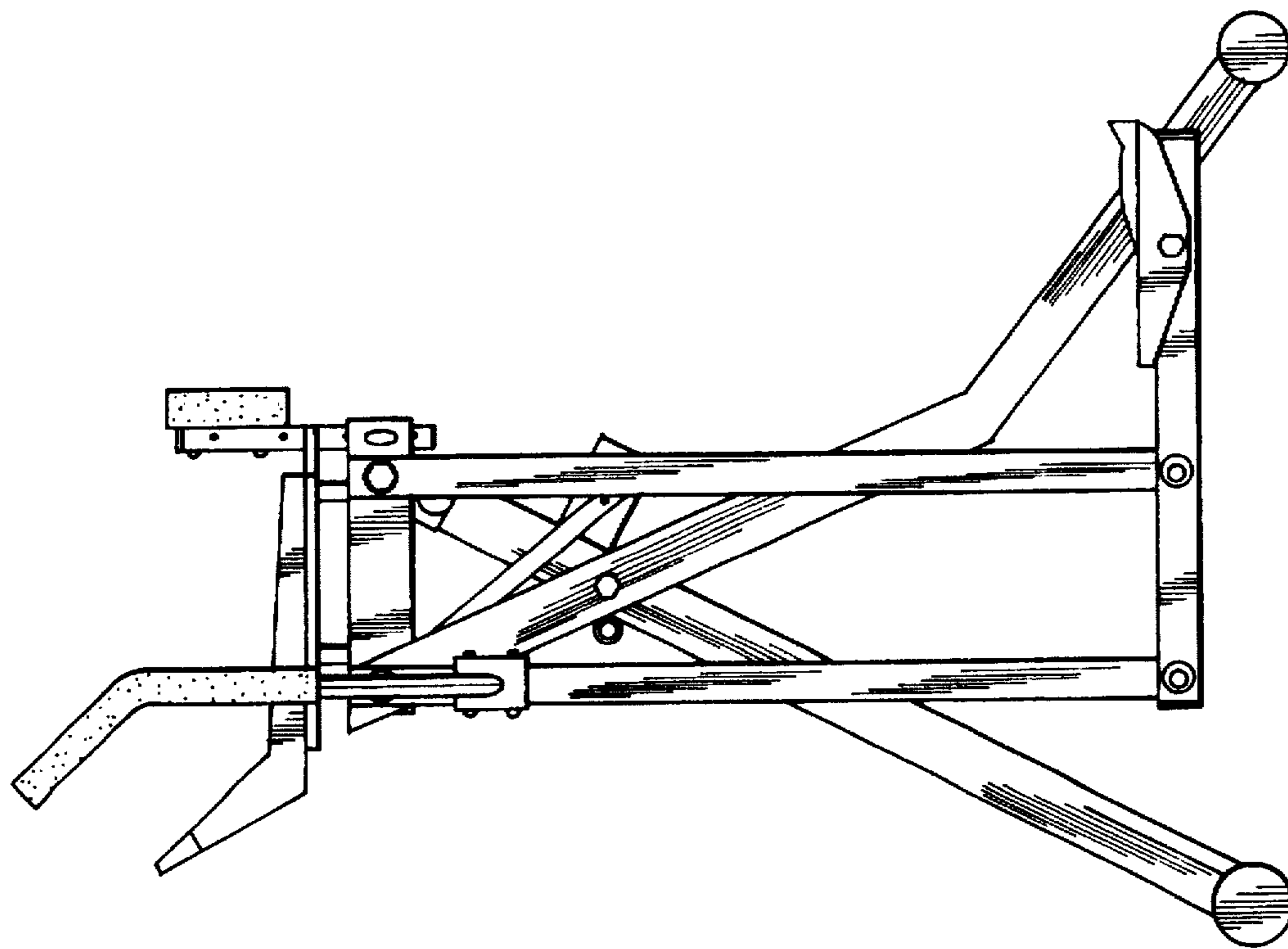


FIG. 3

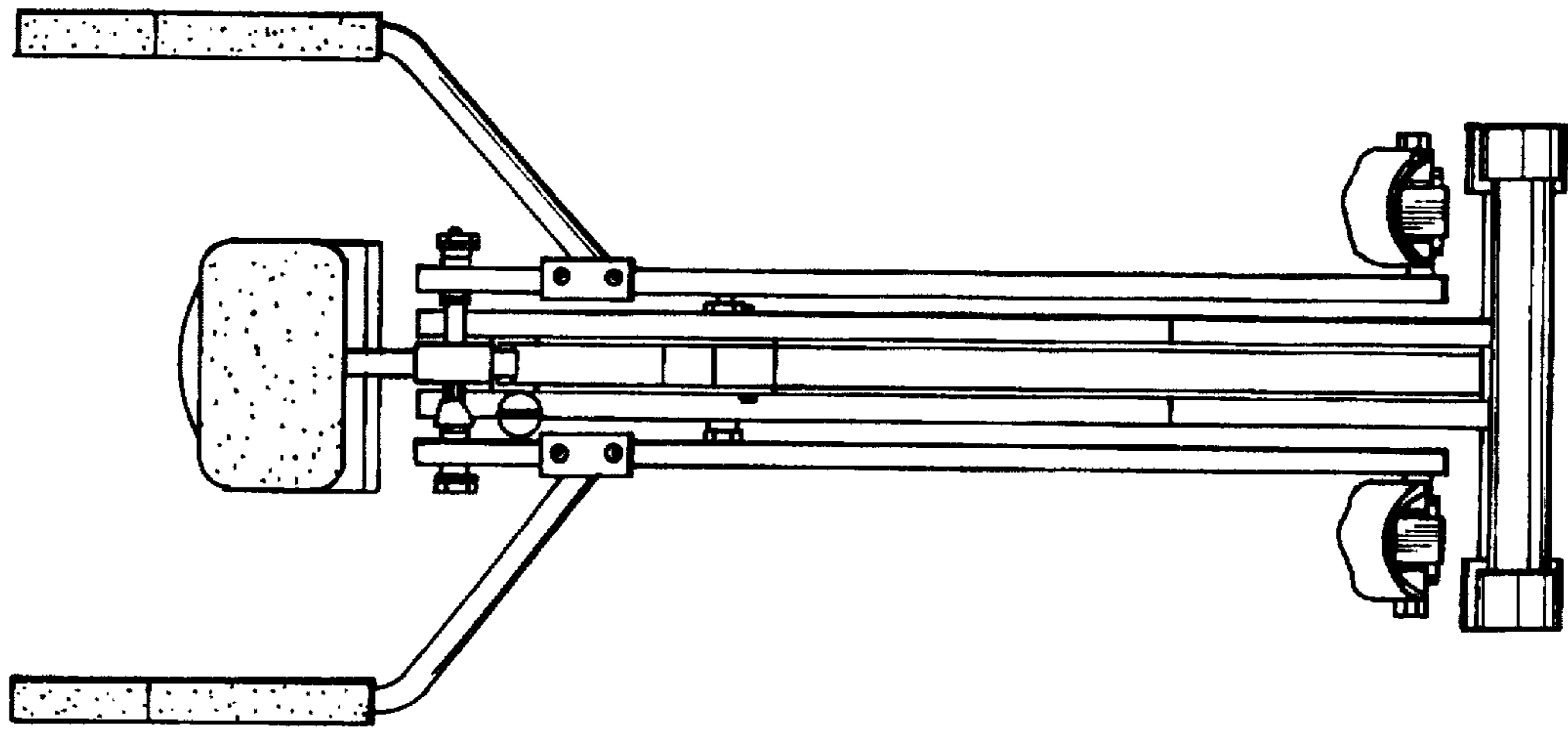


FIG. 5

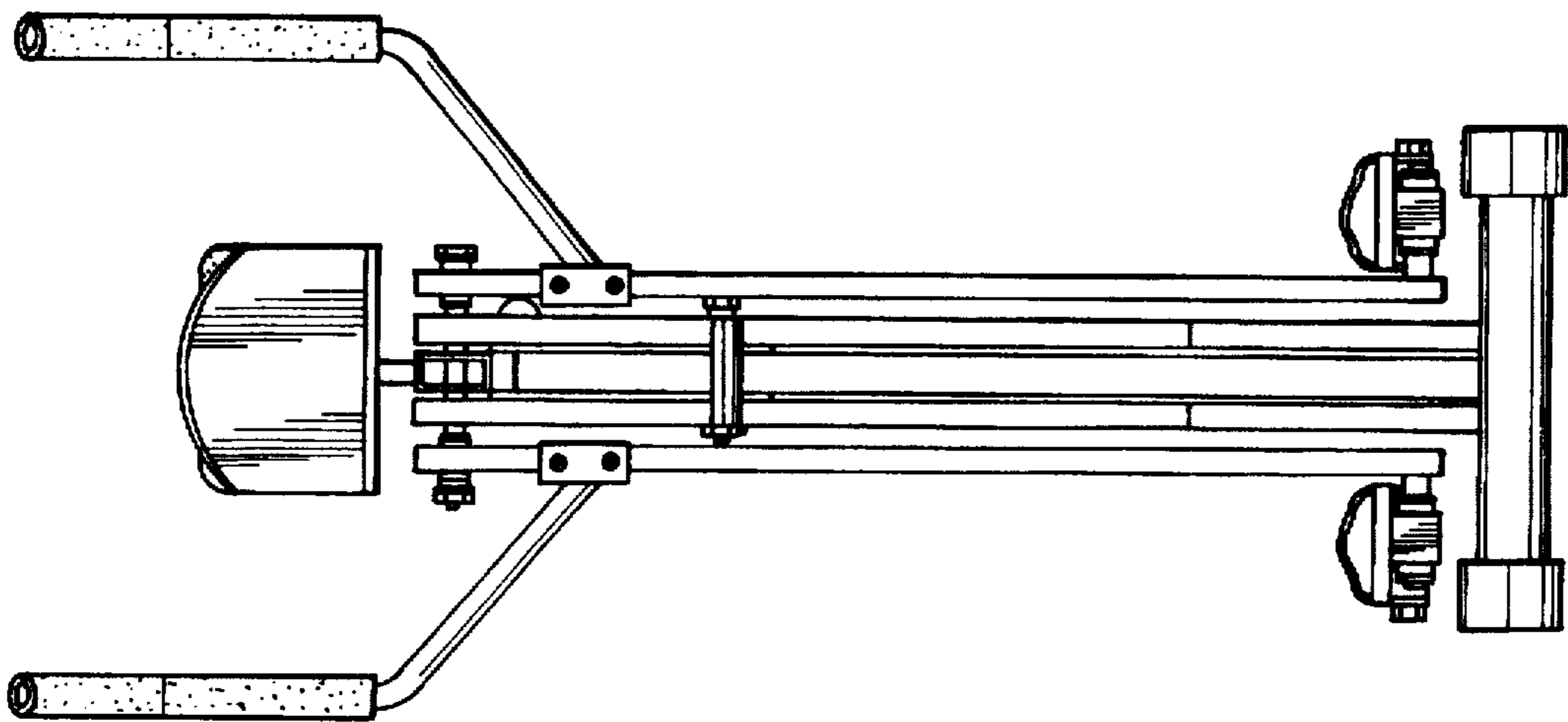


FIG. 4

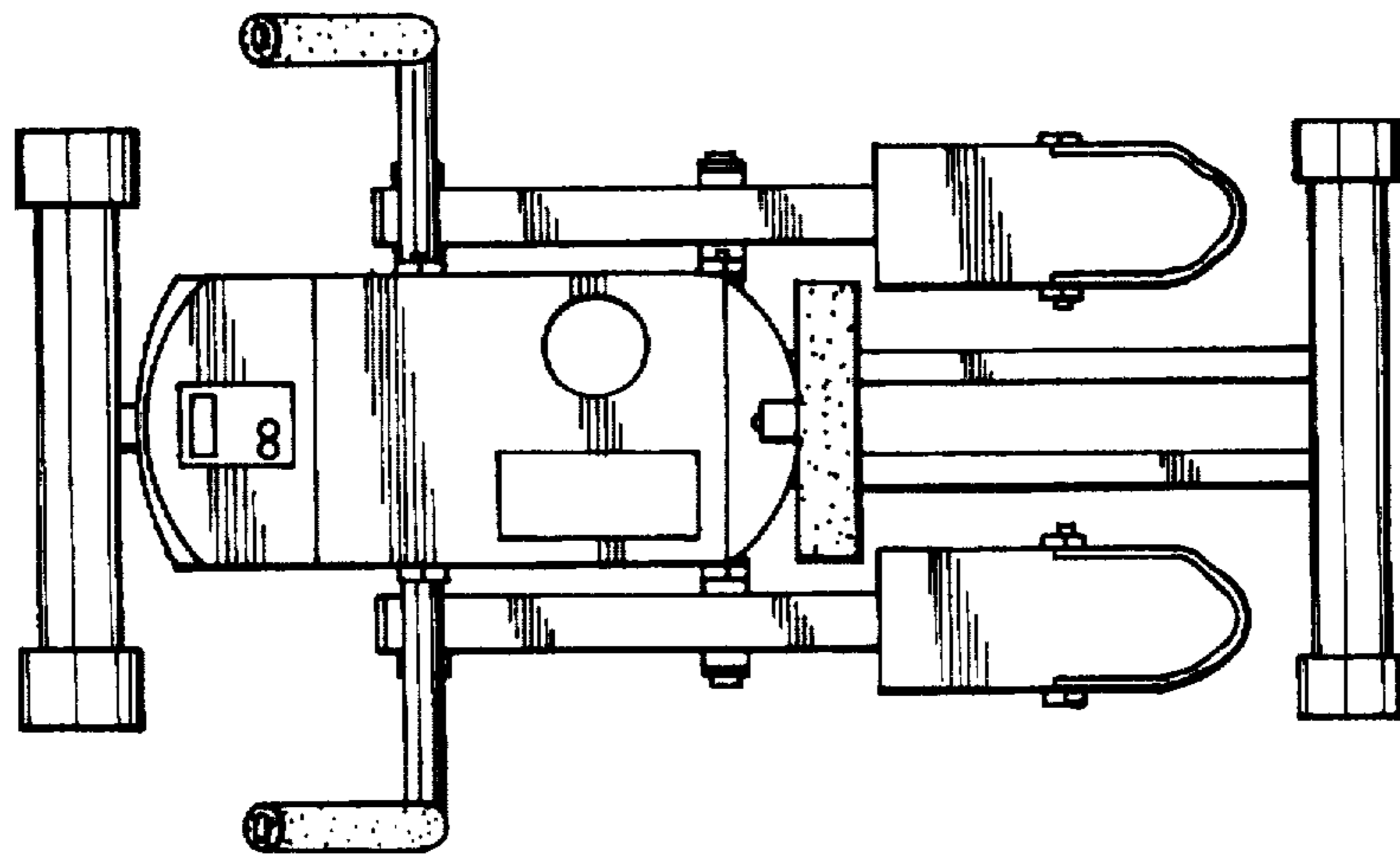


FIG. 6

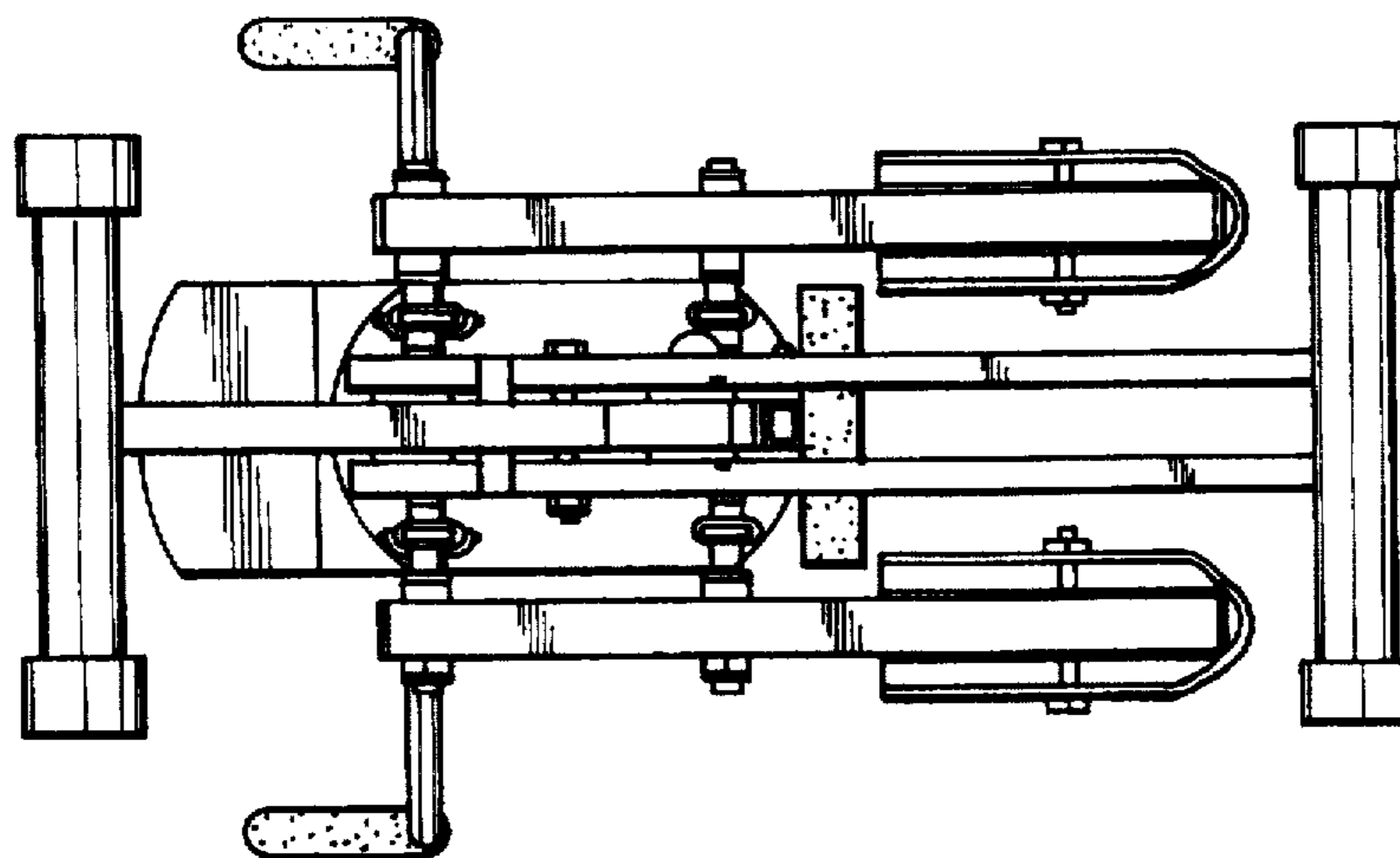


FIG. 7