

US00D393023S

United States Patent [19]

[11] Patent Number: **Des. 393,023**

Martucci et al.

[45] Date of Patent: ****Mar. 31, 1998**

[54] **DINOSAUR TOY AND CONTAINER**

[76] Inventors: **Gale L. Martucci; Richard Martucci**, both of Maple Grand Apts.—Apt. #8, 645 South Fork Landing Rd., Maple Shade, N.J. 08052

[**] Term: **14 Years**

[21] Appl. No.: **64,591**

[22] Filed: **Jan. 6, 1997**

[51] LOC (6) Cl. **21-01**

[52] U.S. Cl. **D21/148**

[58] Field of Search D21/148-155; D11/158; 446/72, 97, 98, 268, 278, 368, 369

[56] **References Cited**

U.S. PATENT DOCUMENTS

D. 312,845	12/1990	Matsuda	D21/104
D. 342,979	1/1994	Patukonis	D21/148
D. 342,980	1/1994	Patukonis	D21/148
D. 343,430	1/1994	Patukonis	D21/148
D. 353,663	12/1994	Curren	D21/148
5,405,148	4/1995	Cianci	446/368

OTHER PUBLICATIONS

Joan Cook Spring Preview, Dinosaurius Stuffus, center.
Mary Meyer Easter 1995 Catalog, p. 4, Bededict duck, center.

Folkmanis Puppets 1994/95, p. 18, Dinosaur Egg Puppet.

Primary Examiner—Sandra L. Morris
Attorney, Agent, or Firm—David L. Volk

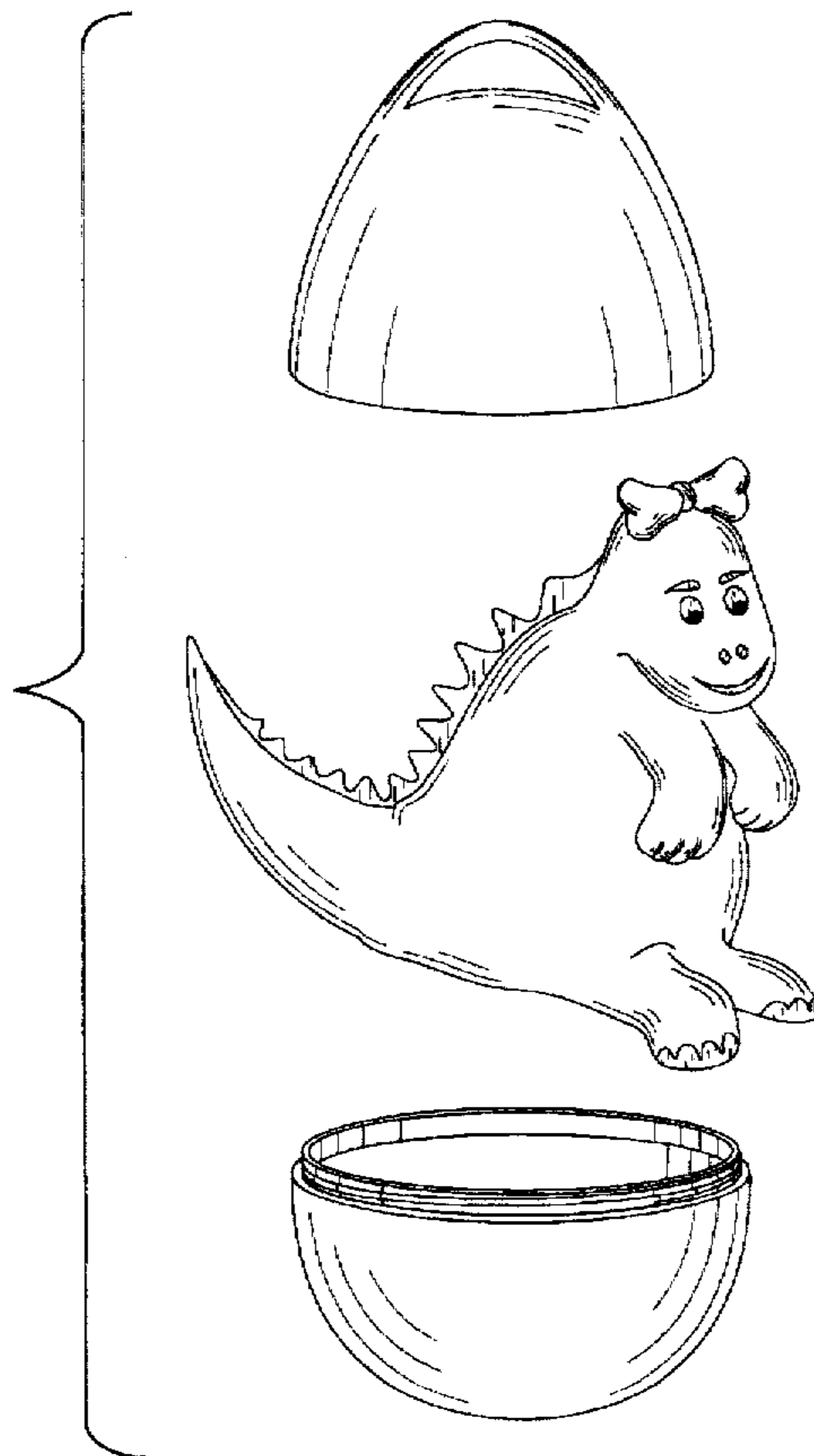
[57] **CLAIM**

The ornamental design for a combined dinosaur toy and container, as shown and described.

DESCRIPTION

FIG. 1 is an exploded perspective view of a combined dinosaur toy and container showing my new design; FIG. 2 is a front elevational view of the dinosaur, shown broken away for ease of illustration; FIG. 3 is a left side elevational view of the dinosaur, the opposite side being a mirror image; FIG. 4 is a rear elevational view of the dinosaur; FIG. 5 is a top plan view of the dinosaur; FIG. 6 is a bottom plan view of the dinosaur; FIG. 7 is a front elevational view of the container, shown broken away for ease of illustration; FIG. 8 is a left side elevational view of the container, the opposite side being a mirror image; FIG. 9 is a top plan view of the container; FIG. 10 is a bottom plan view of the container; FIG. 11 is an elevational view of the inside of the top and bottom portions of the container; and, FIG. 12 is a perspective view of the container, shown closed. FIGS. 2-6 are shown on an enlarged scale.

1 Claim, 11 Drawing Sheets



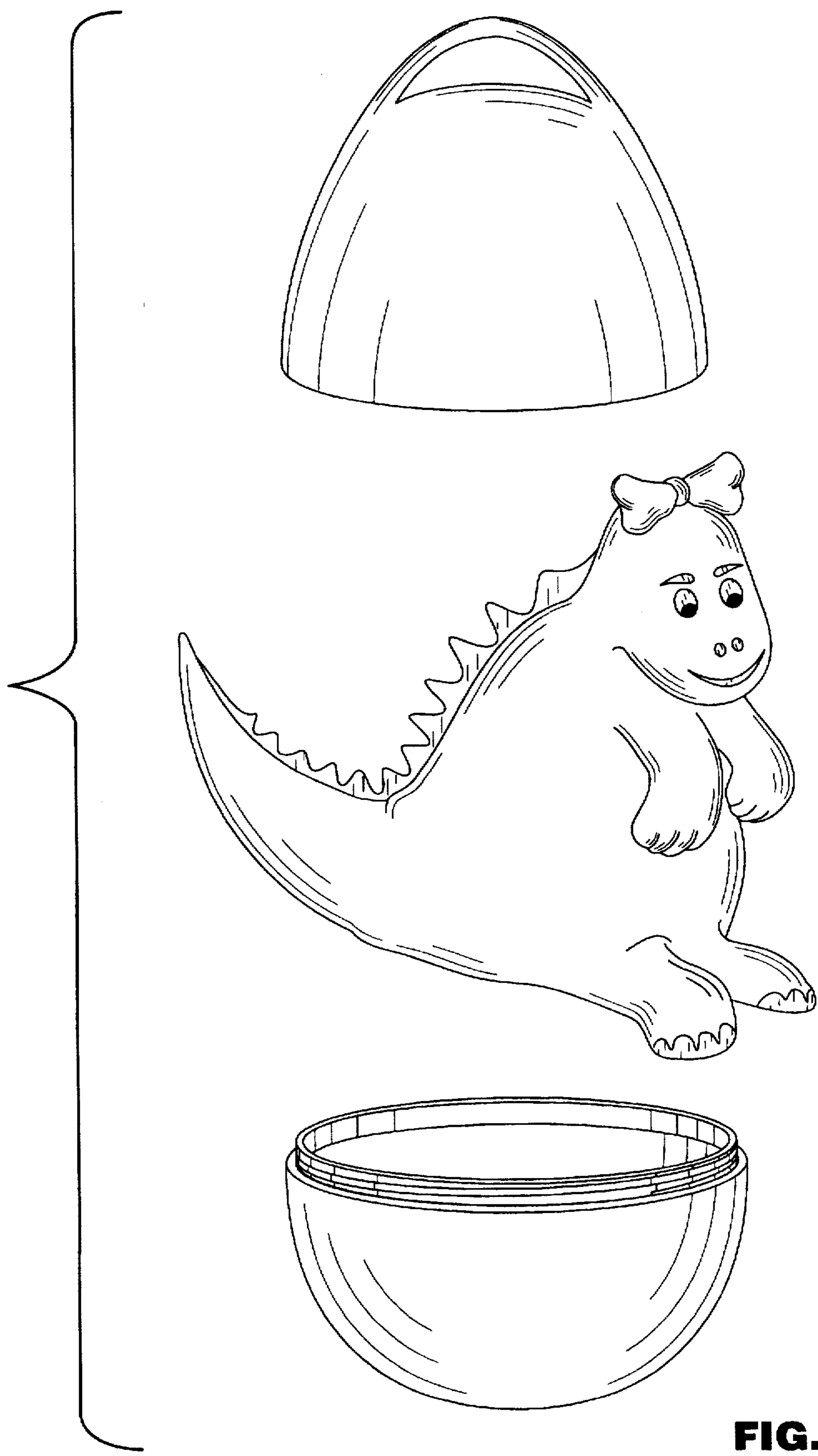


FIG. 1

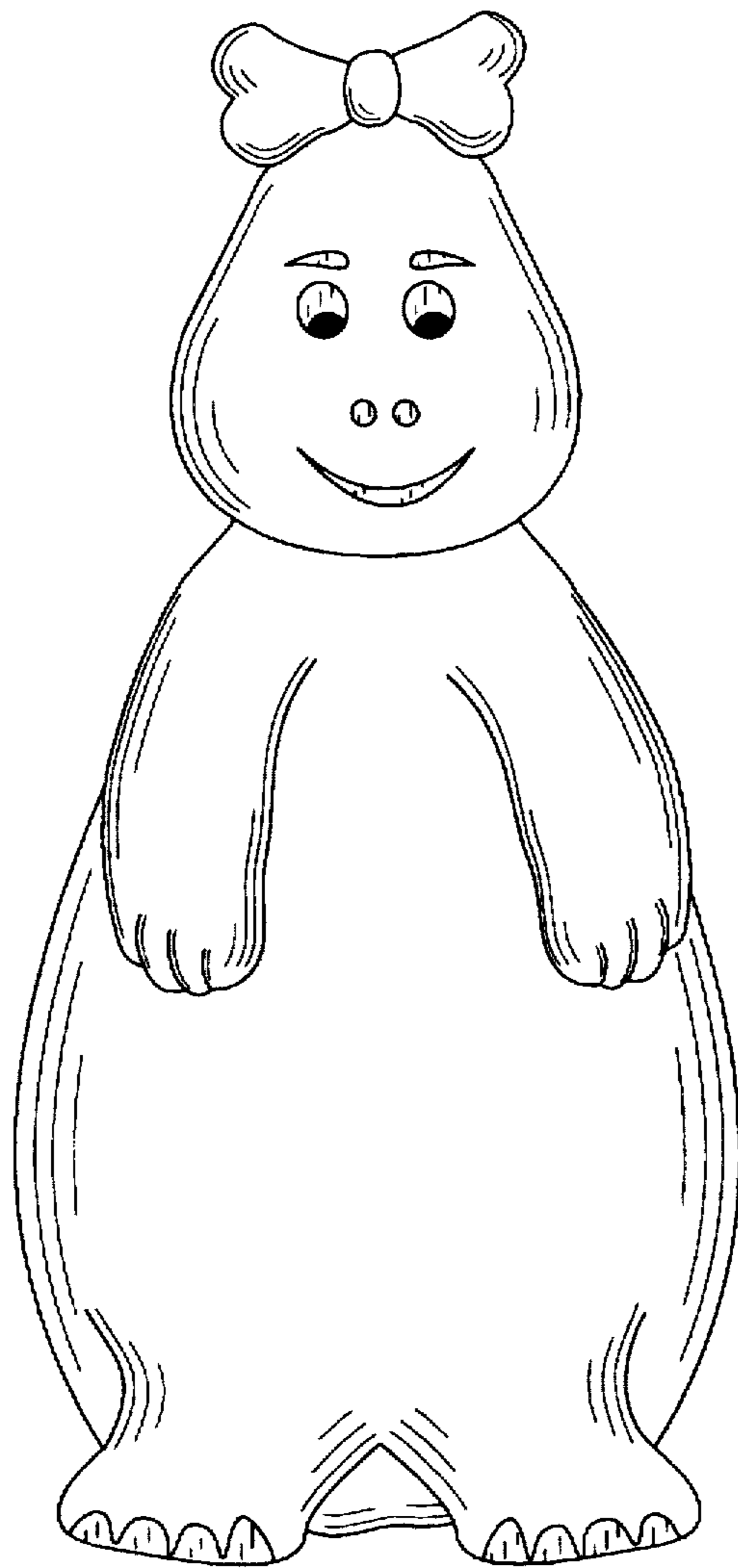


FIG. 2

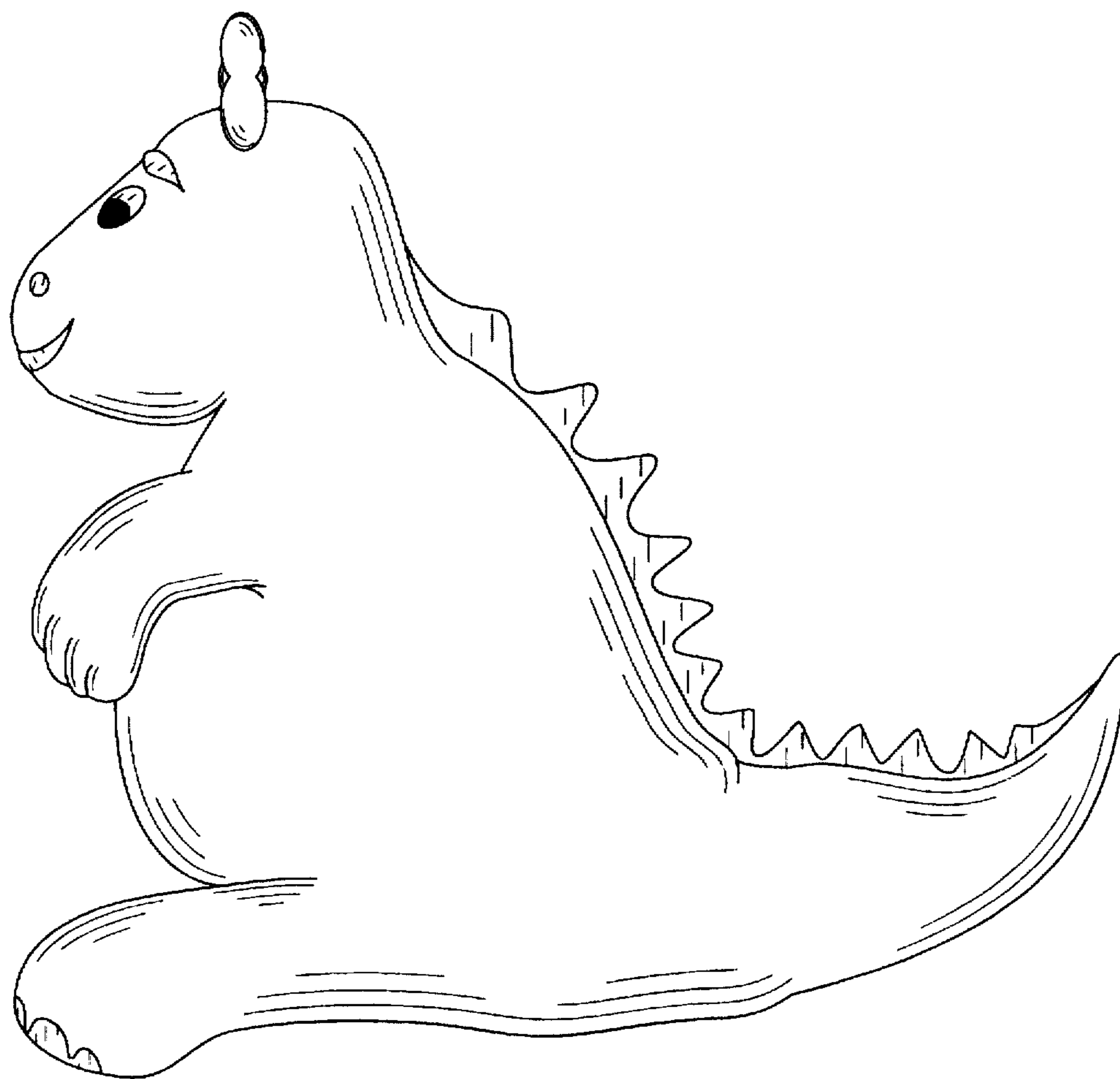


FIG. 3

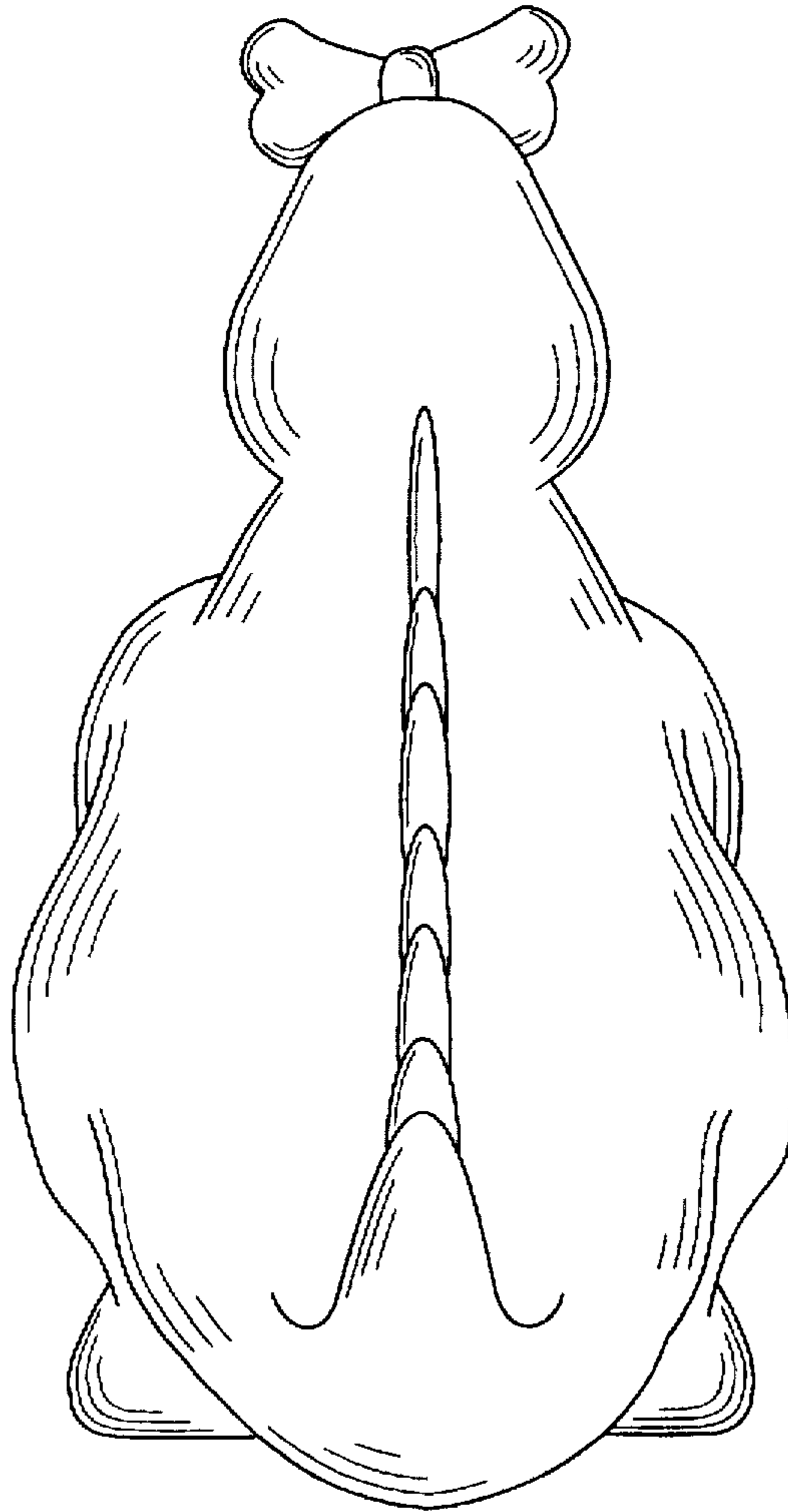


FIG. 4

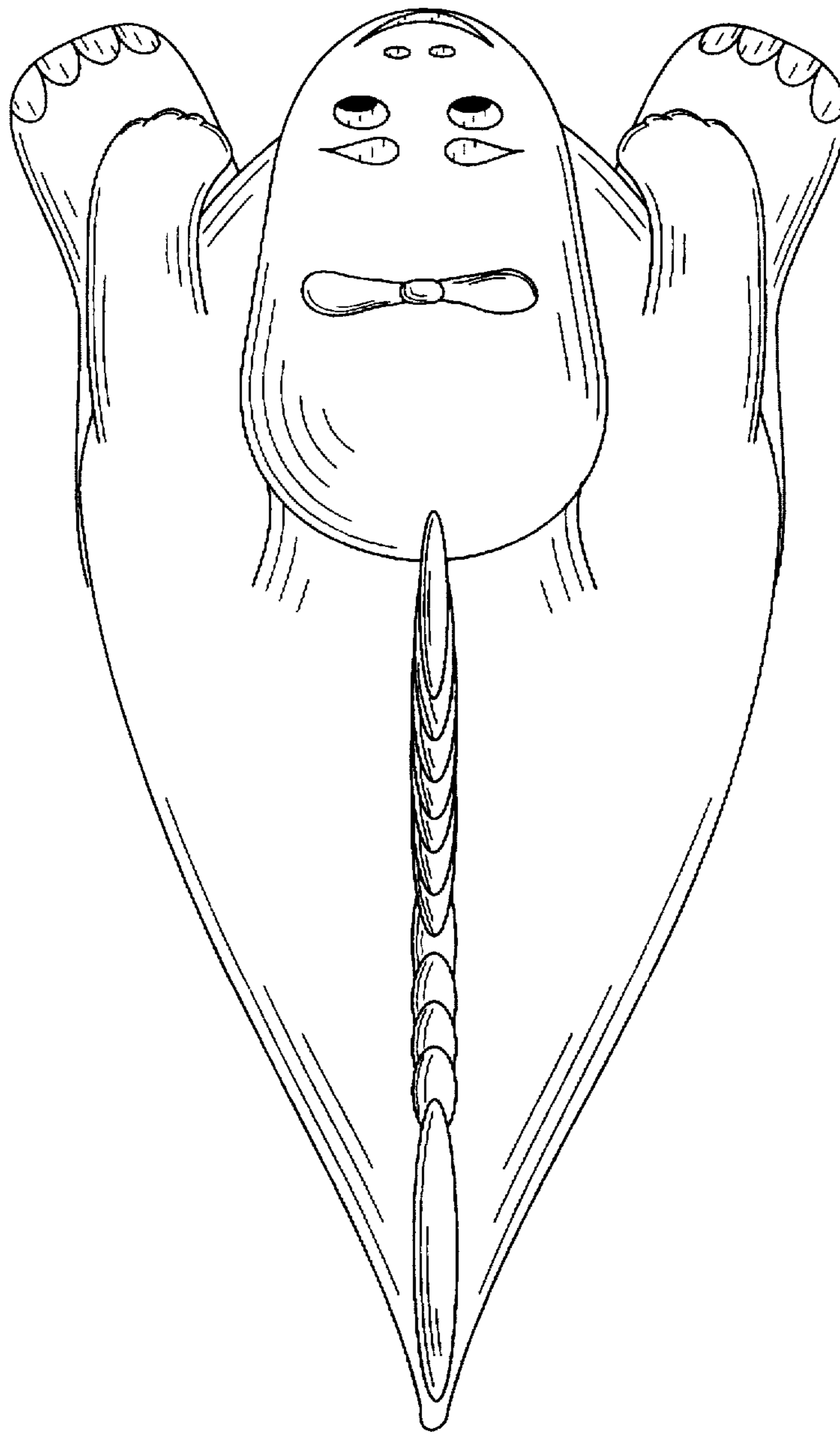


FIG. 5

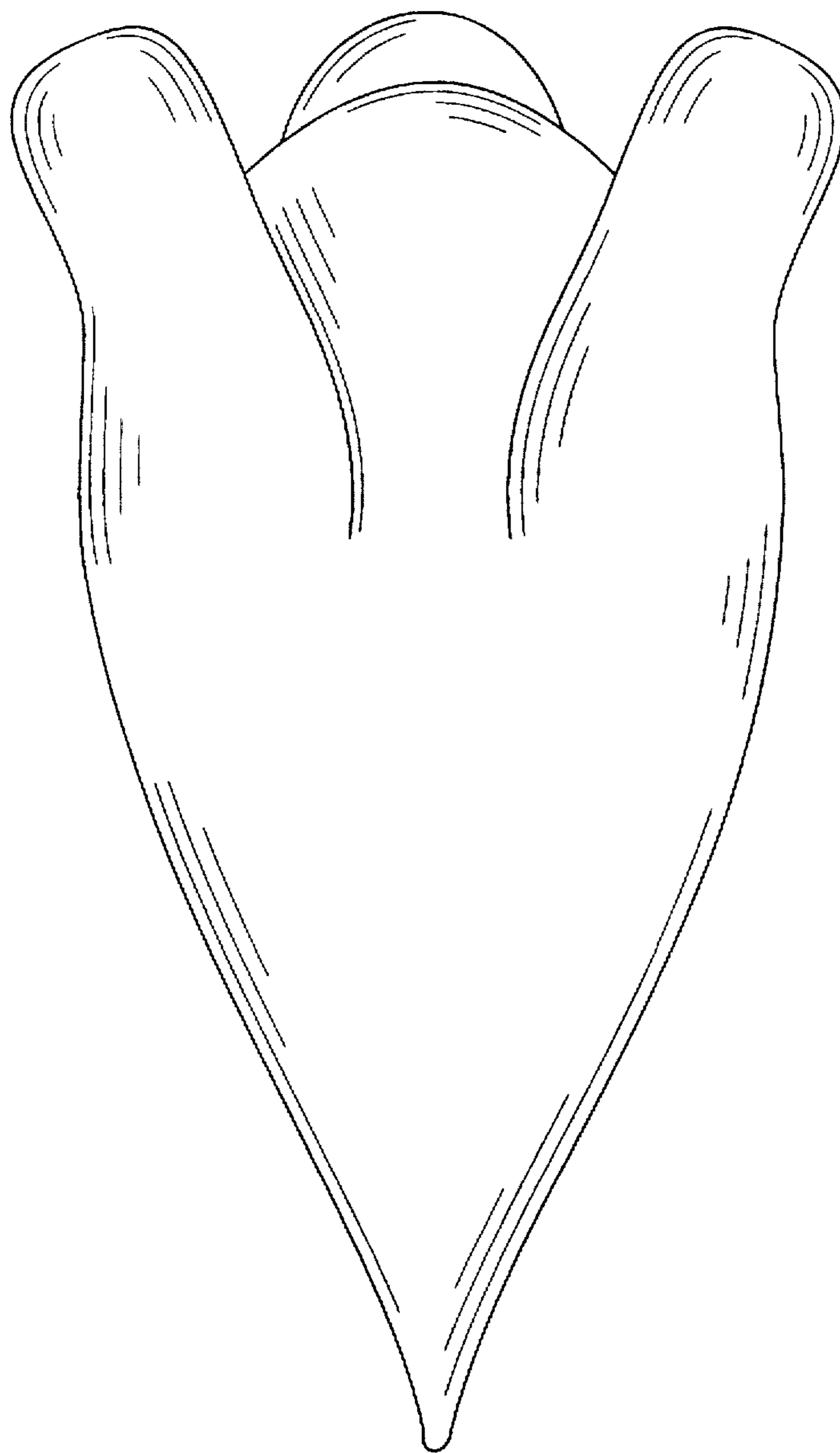


FIG. 6

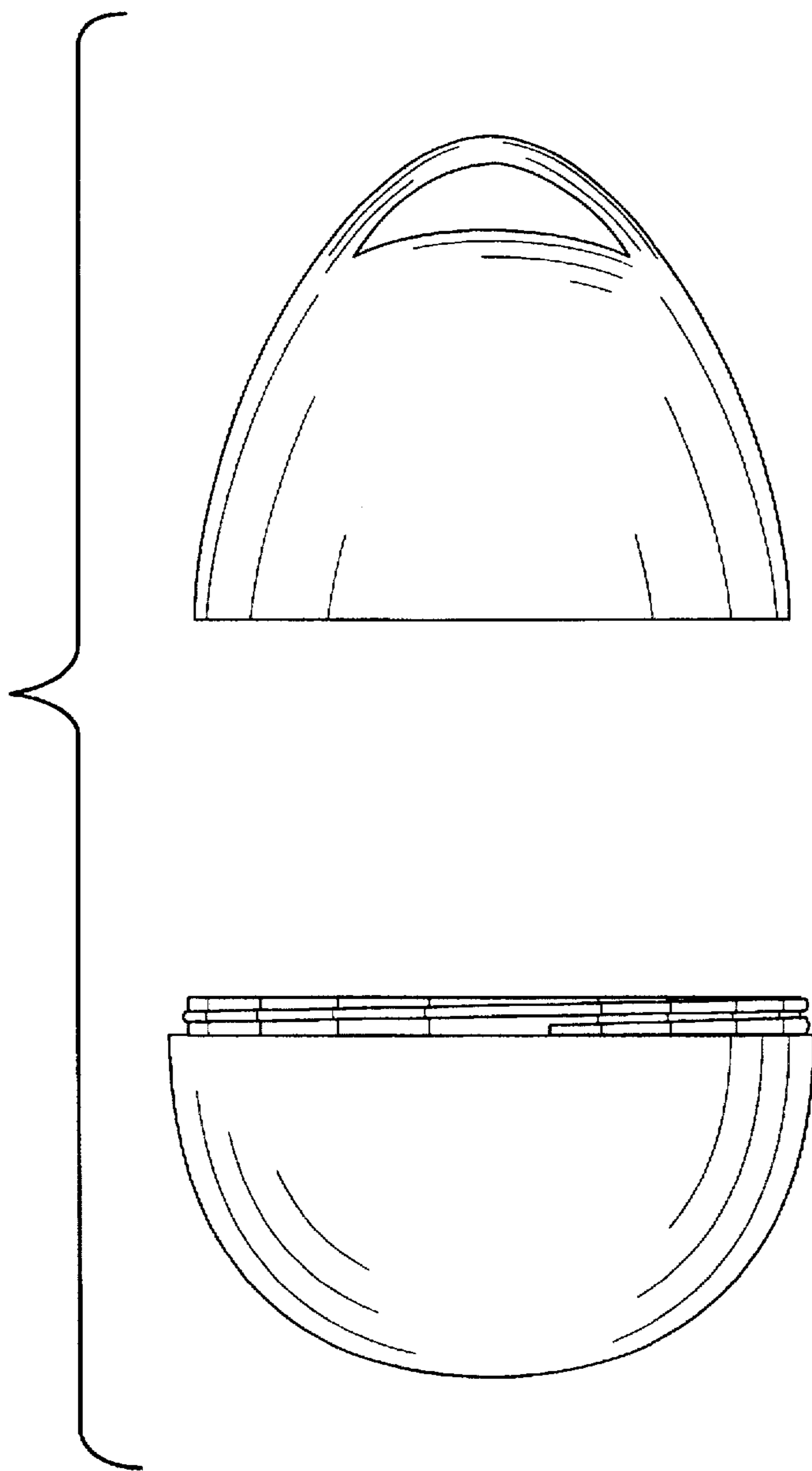


FIG. 7

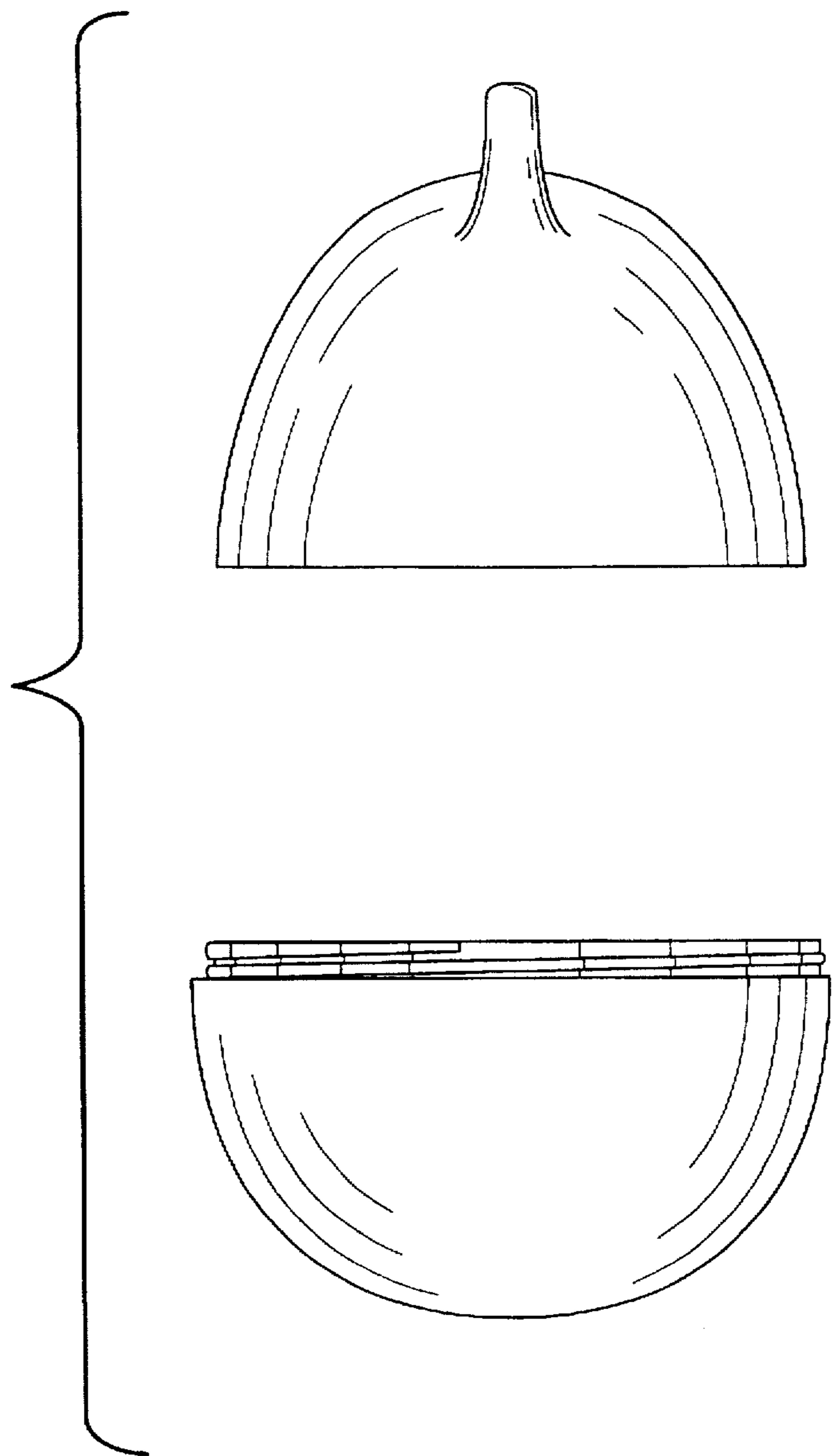


FIG. 8

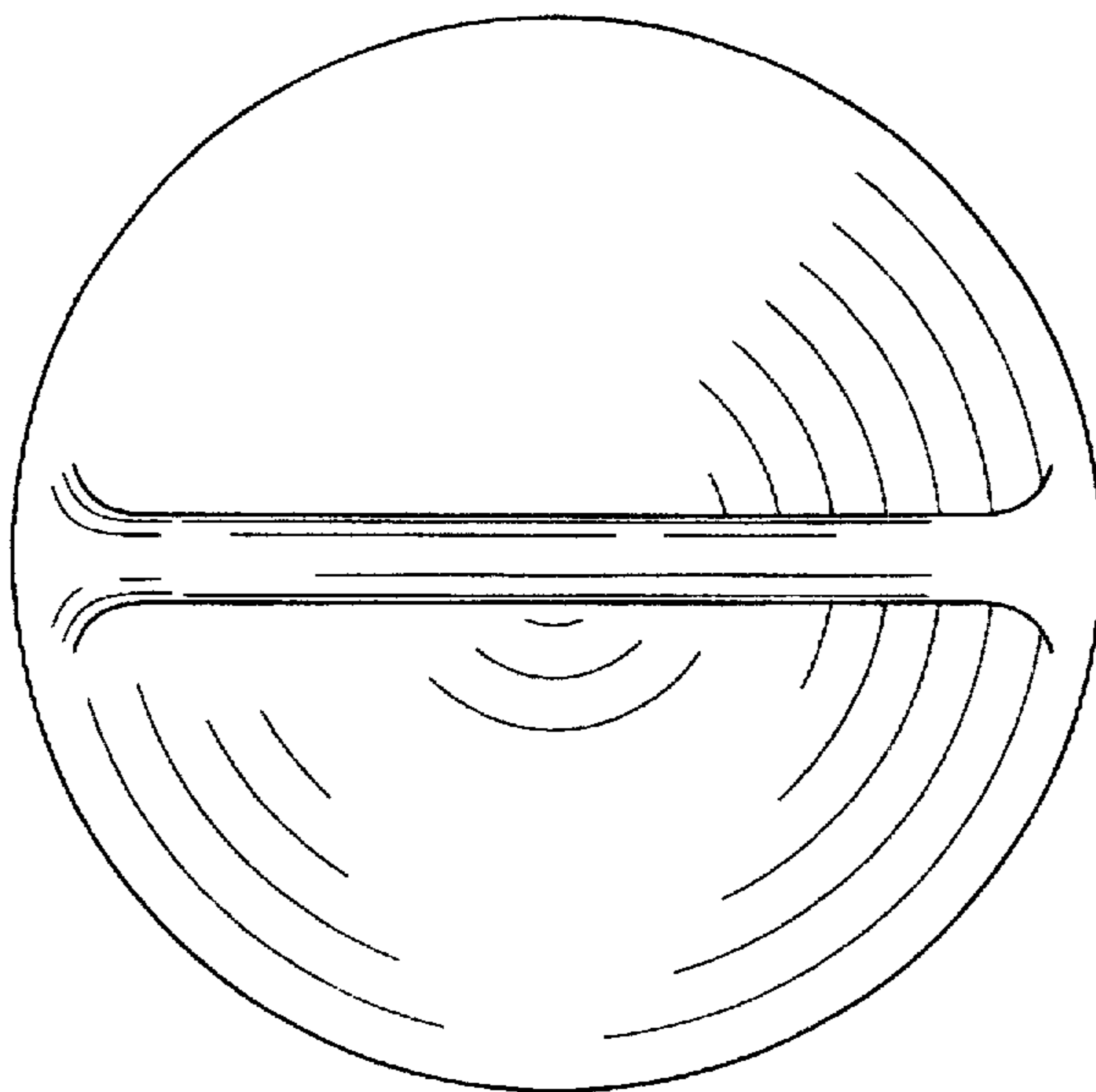


FIG. 9

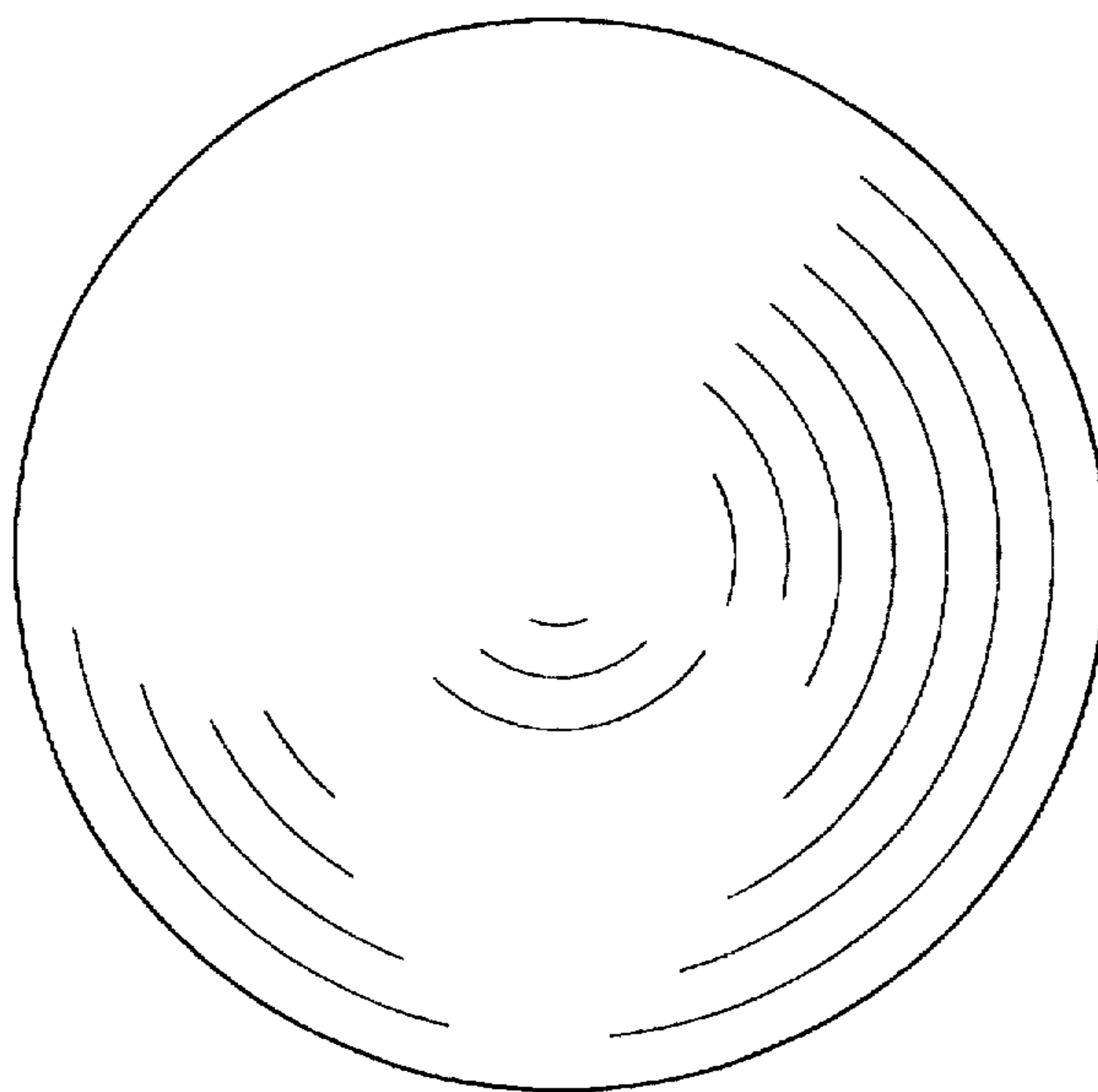


FIG. 10

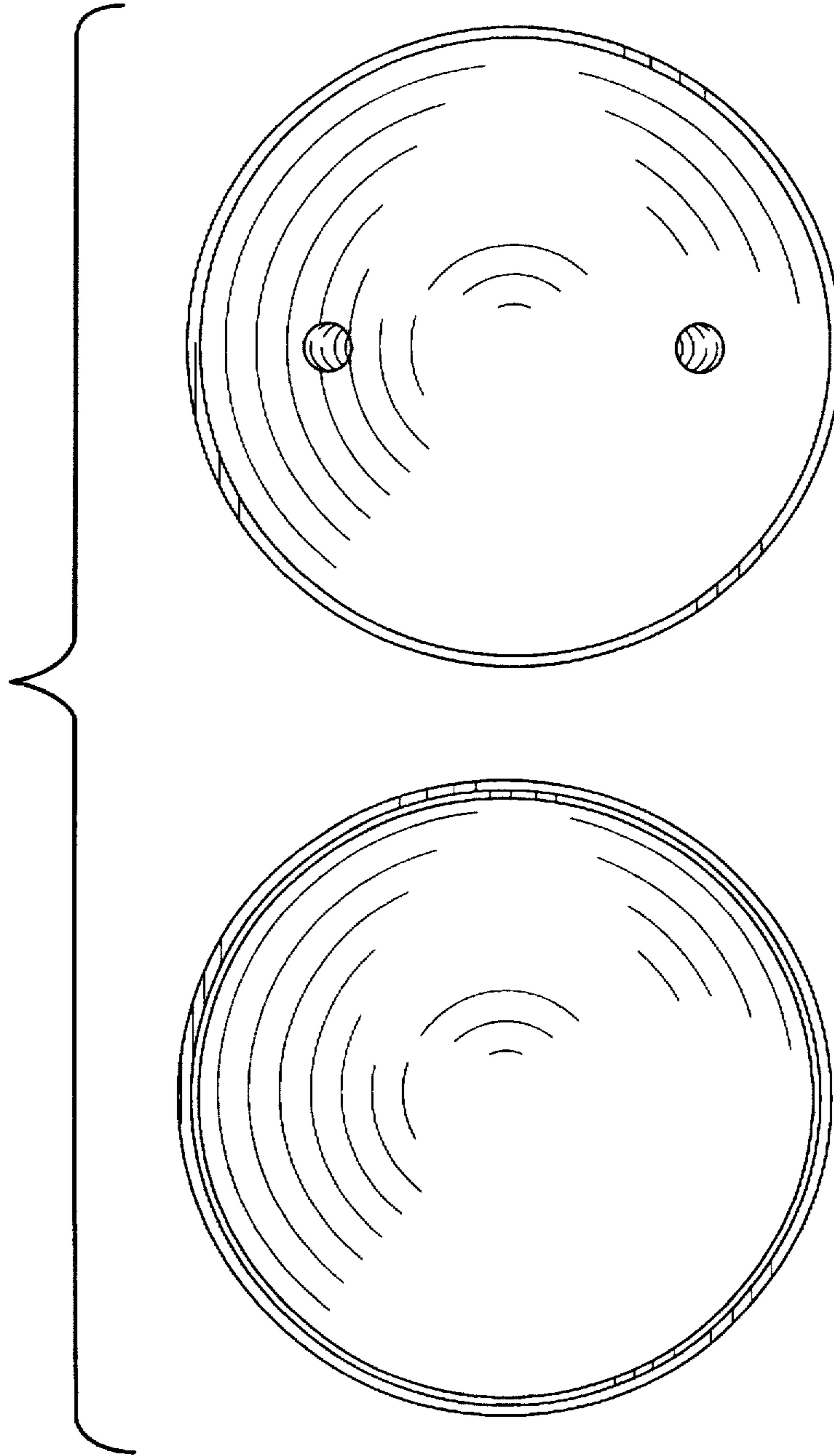


FIG. 11

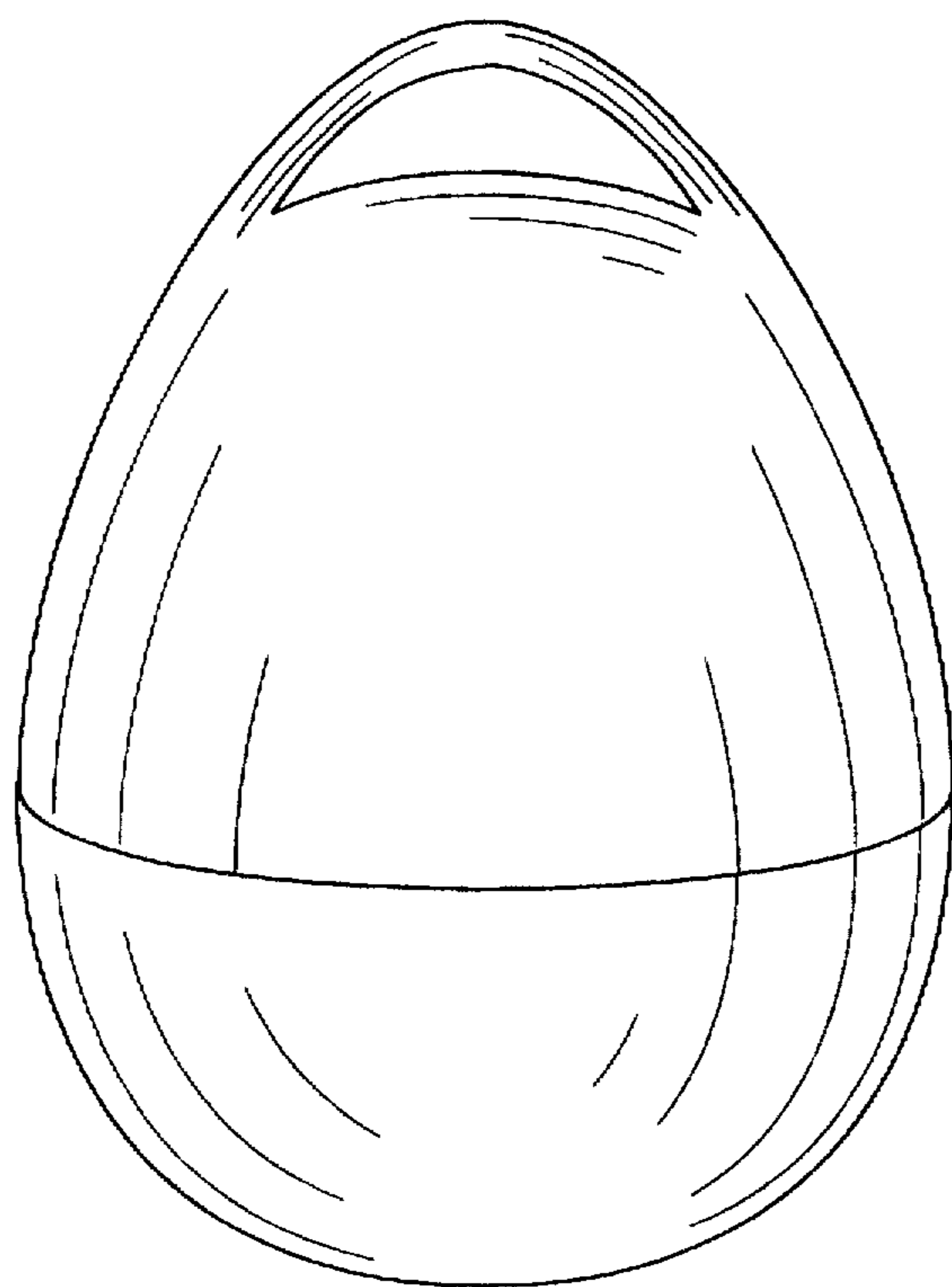


FIG. 12