



US00D393022S

United States Patent [19]
Nagel

[11] **Patent Number: Des. 393,022**

[45] **Date of Patent: **Mar. 31, 1998**

[54] **TOY WATER GUN**
[76] **Inventor: Dietmar Nagel, 11 South Rd., Chester, N.J. 07930**
[**] **Term: 14 Years**
[21] **Appl. No.: 52,011**
[22] **Filed: Mar. 21, 1996**
[51] **LOC (6) Cl. 21-01**
[52] **U.S. Cl. D21/147**
[58] **Field of Search D21/13, 145-147, D21/141; D22/103; 446/192, 405, 473; 482/12, 83; 222/78, 79; 273/148 B; 463/37, 38, 39; 124/78, 6, 16, 27**

D. 350,573 9/1994 Caminos et al. D21/146
5,074,437 12/1991 D'Andrade et al. 222/79
5,150,819 9/1992 Johnson et al. 446/473
5,531,627 7/1996 Deal 446/473

Primary Examiner—Raphael Barkai
Attorney, Agent, or Firm—Cohen, Pontani, Lieberman, Pavane

[57] **CLAIM**

The ornamental design for a toy water gun, as shown and described.

DESCRIPTION

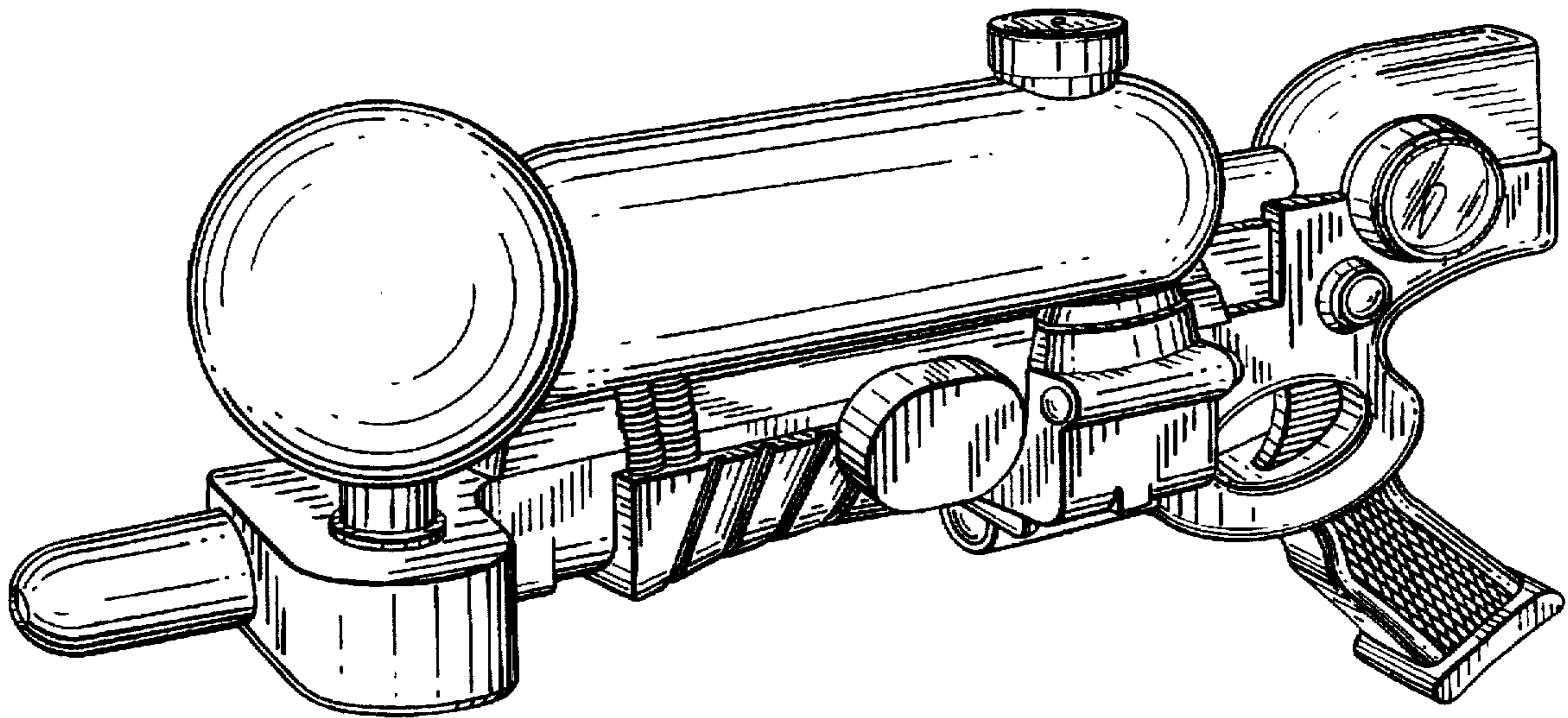
FIG. 1 is a right side elevated perspective view of a toy water gun showing my new design;
FIG. 2 is a left side elevational view thereof;
FIG. 3 is a front elevational view thereof;
FIG. 4 is a rear elevational view thereof;
FIG. 5 is a top plan view thereof; and,
FIG. 6 is a bottom plan view thereof.

[56] **References Cited**

U.S. PATENT DOCUMENTS

D. 338,697 8/1993 Salmon et al. D21/147
D. 340,957 11/1993 D'Andrade D21/146
D. 348,912 7/1994 Caminos et al. D21/146

1 Claim, 4 Drawing Sheets



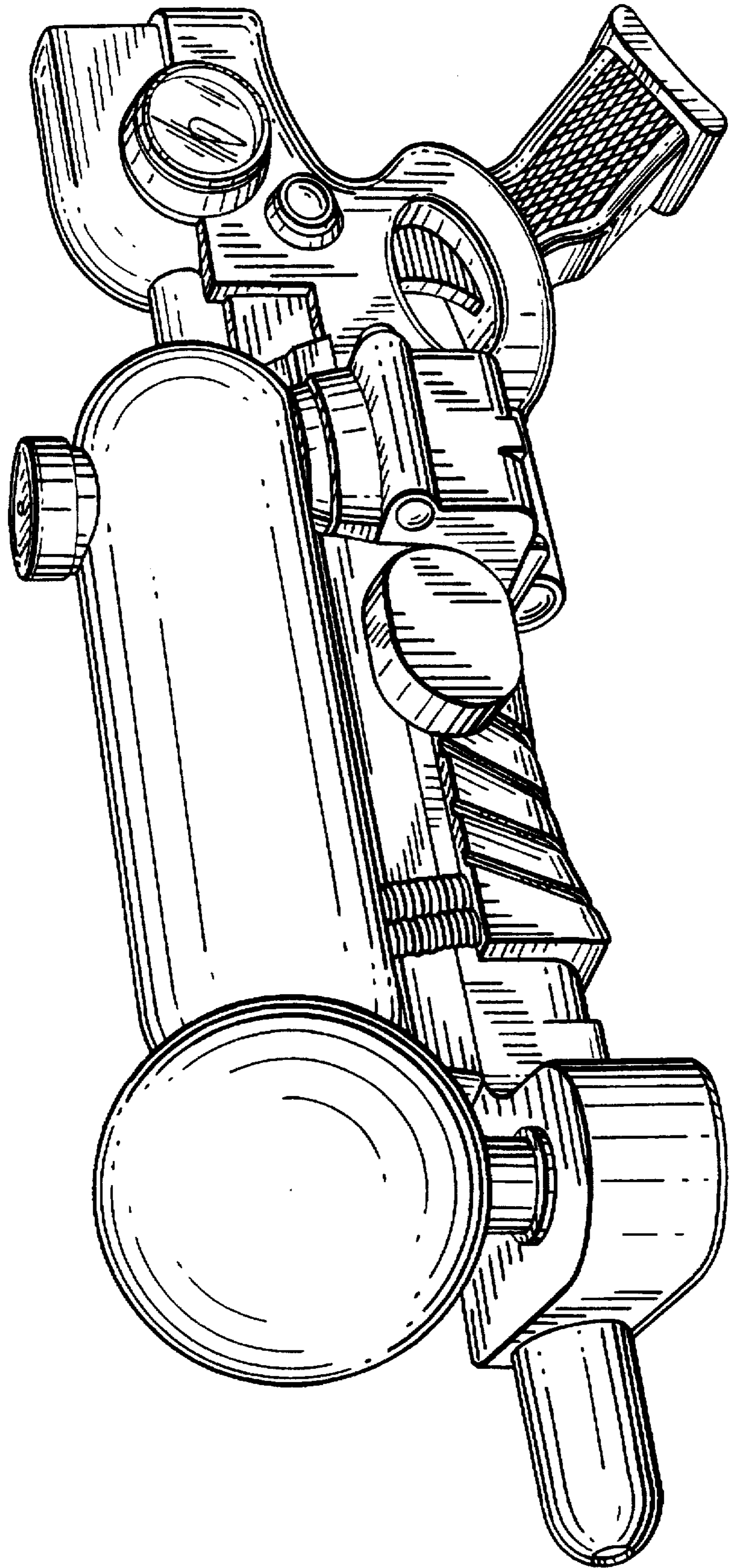


FIG. 1

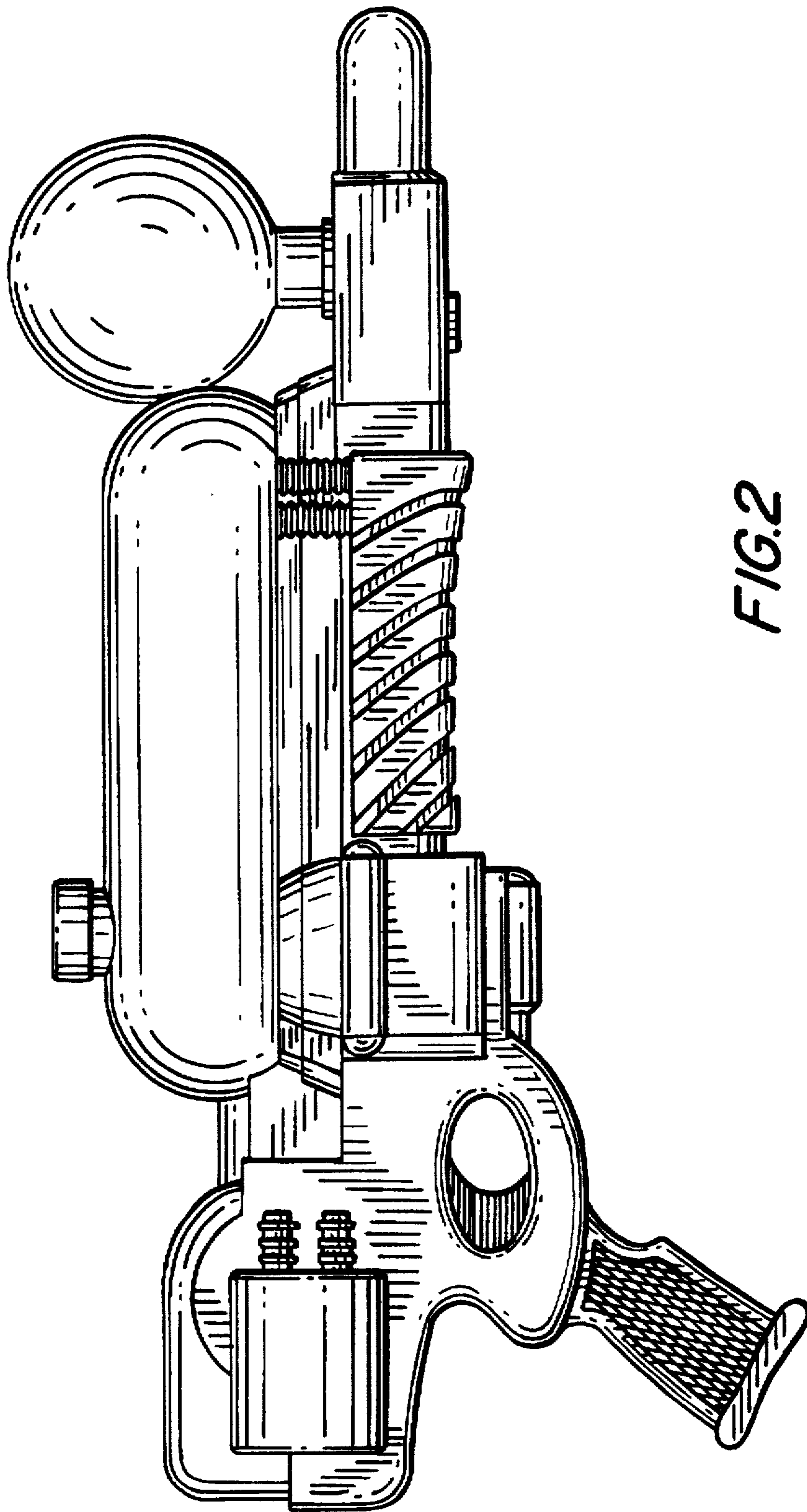


FIG. 2

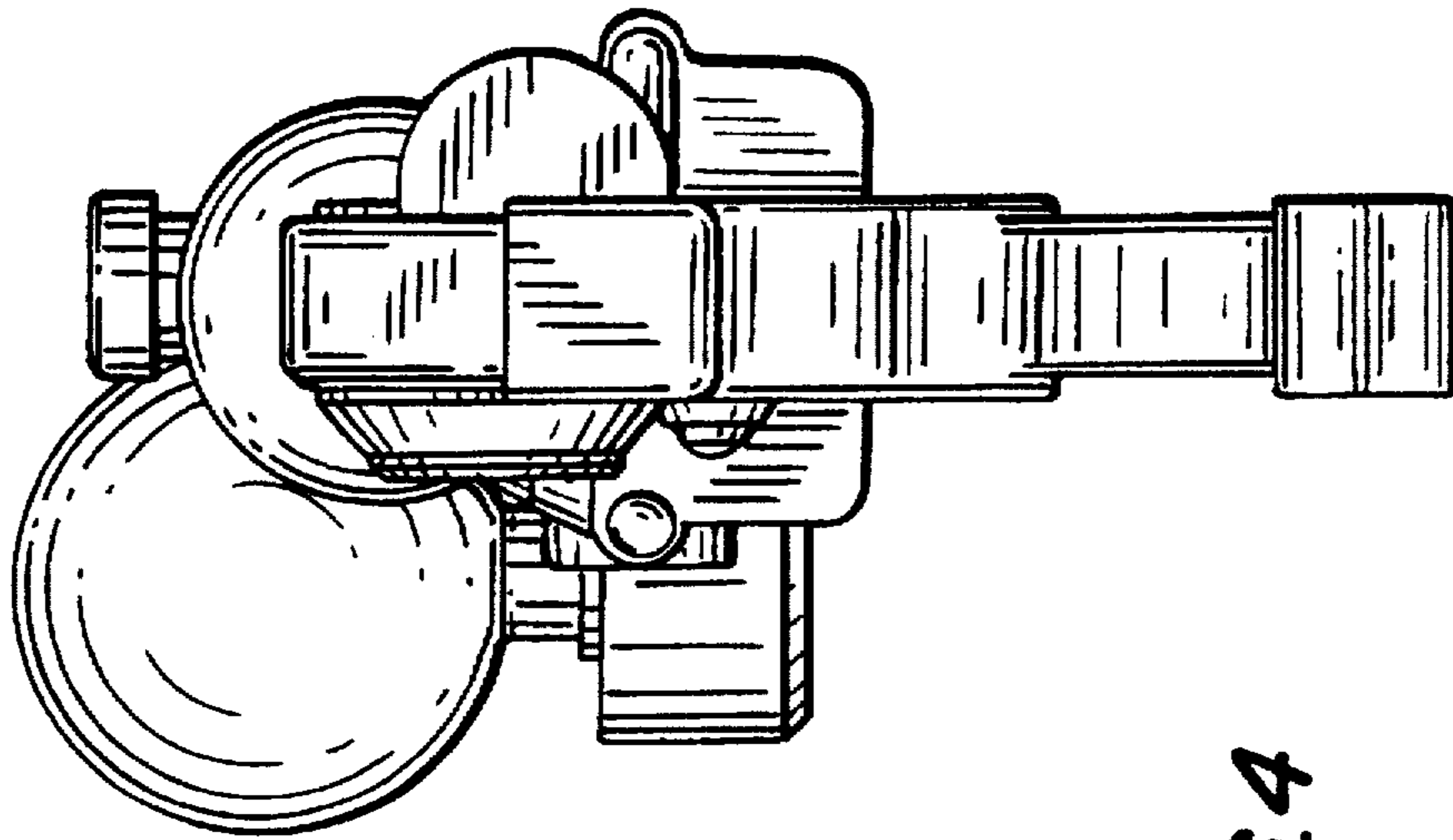


FIG. 4

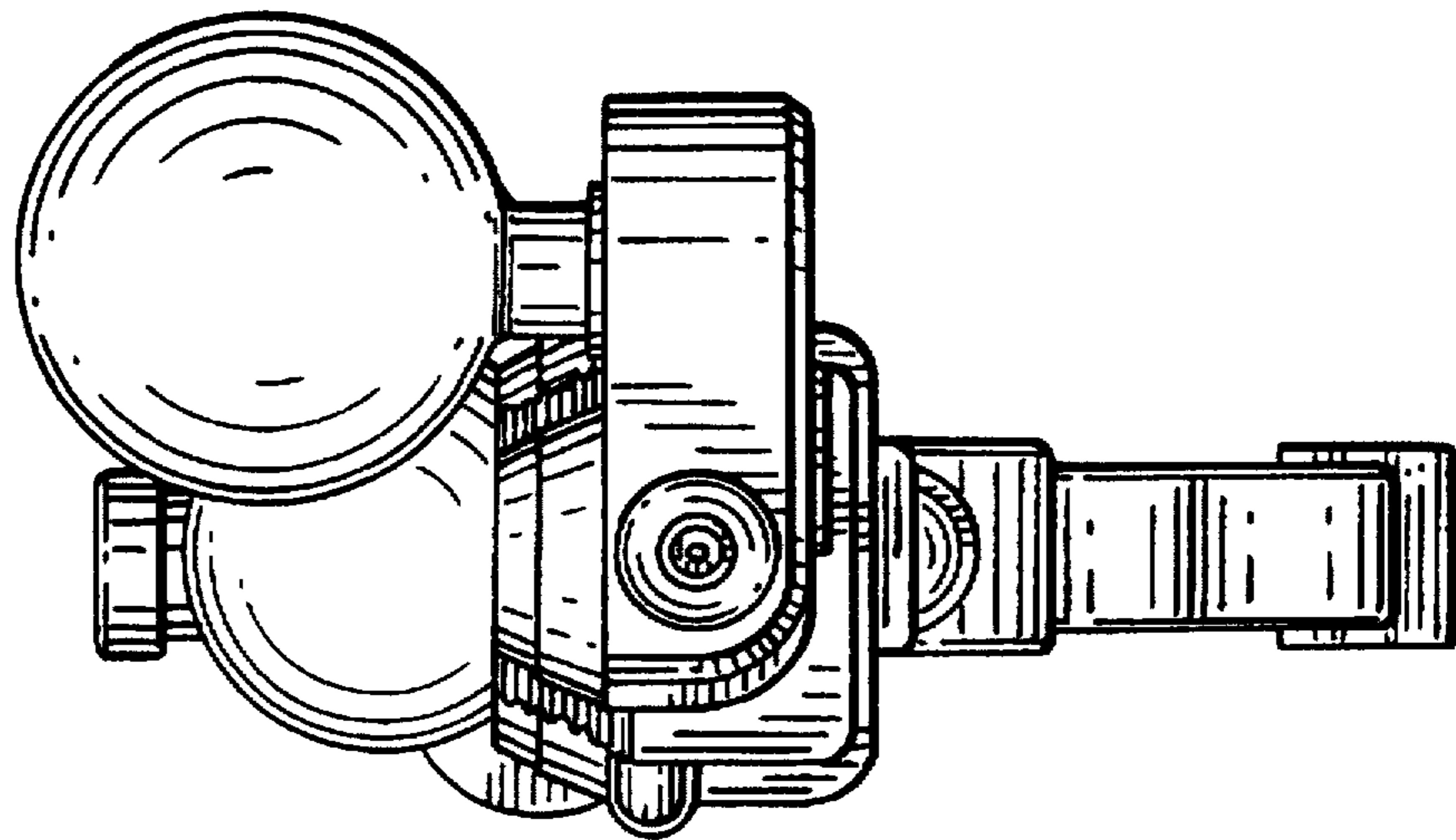


FIG. 3

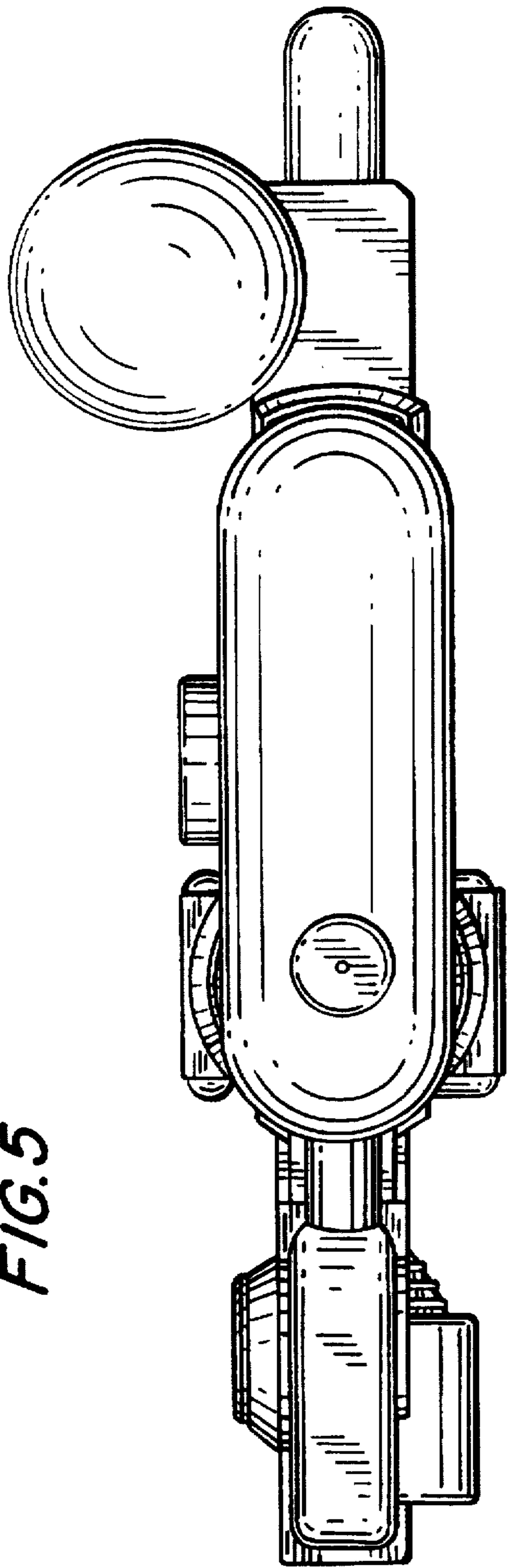


FIG. 5

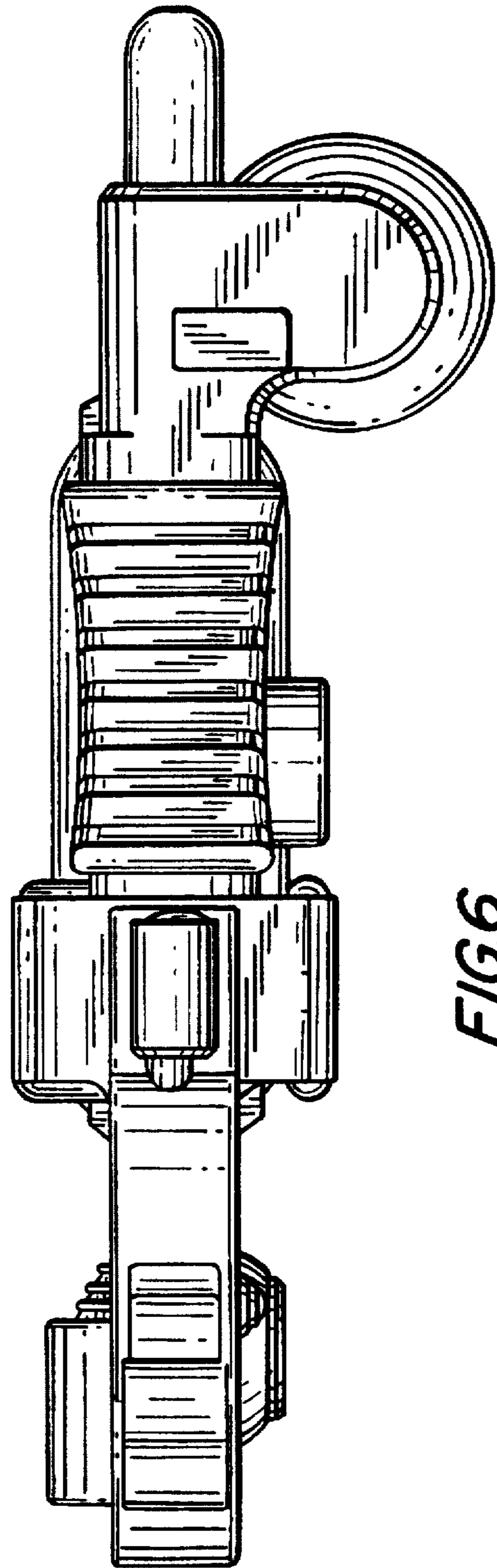


FIG. 6