



US00D393015S

United States Patent [19]

Kaneko et al.

[11] Patent Number: Des. 393,015

[45] Date of Patent: **Mar. 31, 1998

[54] JOYSTICK BASE

[75] Inventors: Steven T. Kaneko, Seattle, Wash.;
Jonathan A. Hayes, Belmont, Mass.;
Christopher Alviar, Seattle, Wash.

[73] Assignee: Microsoft Corporation, Redmond,
Wash.

[**] Term: 14 Years

[21] Appl. No.: 65,586

[22] Filed: Jan. 30, 1997

[51] LOC (6) Cl. 21-01

[52] U.S. Cl. D21/48

[58] Field of Search D21/1, 13, 48;
D14/114, 217; 273/148 B; 463/1, 30, 36-39,
46, 47; 345/156, 161, 905; D13/158; 200/5 R,
5 A, 6 R, 6 A

[56] References Cited

U.S. PATENT DOCUMENTS

D. 362,244	9/1995	Takemasa	D14/114
D. 366,475	1/1996	Sanchez et al.	D14/114
D. 366,911	2/1996	Hsieh	D21/48
D. 372,053	7/1996	Couch et al.	D21/48
D. 372,470	8/1996	Hsien	D14/114
4,491,325	1/1985	Bersheim	463/38

4,509,383	4/1985	Yeh	463/38 X
4,658,666	4/1987	Liu	463/38
5,558,329	9/1996	Liu	463/38 X

OTHER PUBLICATIONS

Hongkong Enterprise, Oct. 1990, p. 813.
Hongkong Electronics, 1985, p. 9.

Primary Examiner—Prabhakar G. Deshmukh
Attorney, Agent, or Firm—Ronald M. Anderson

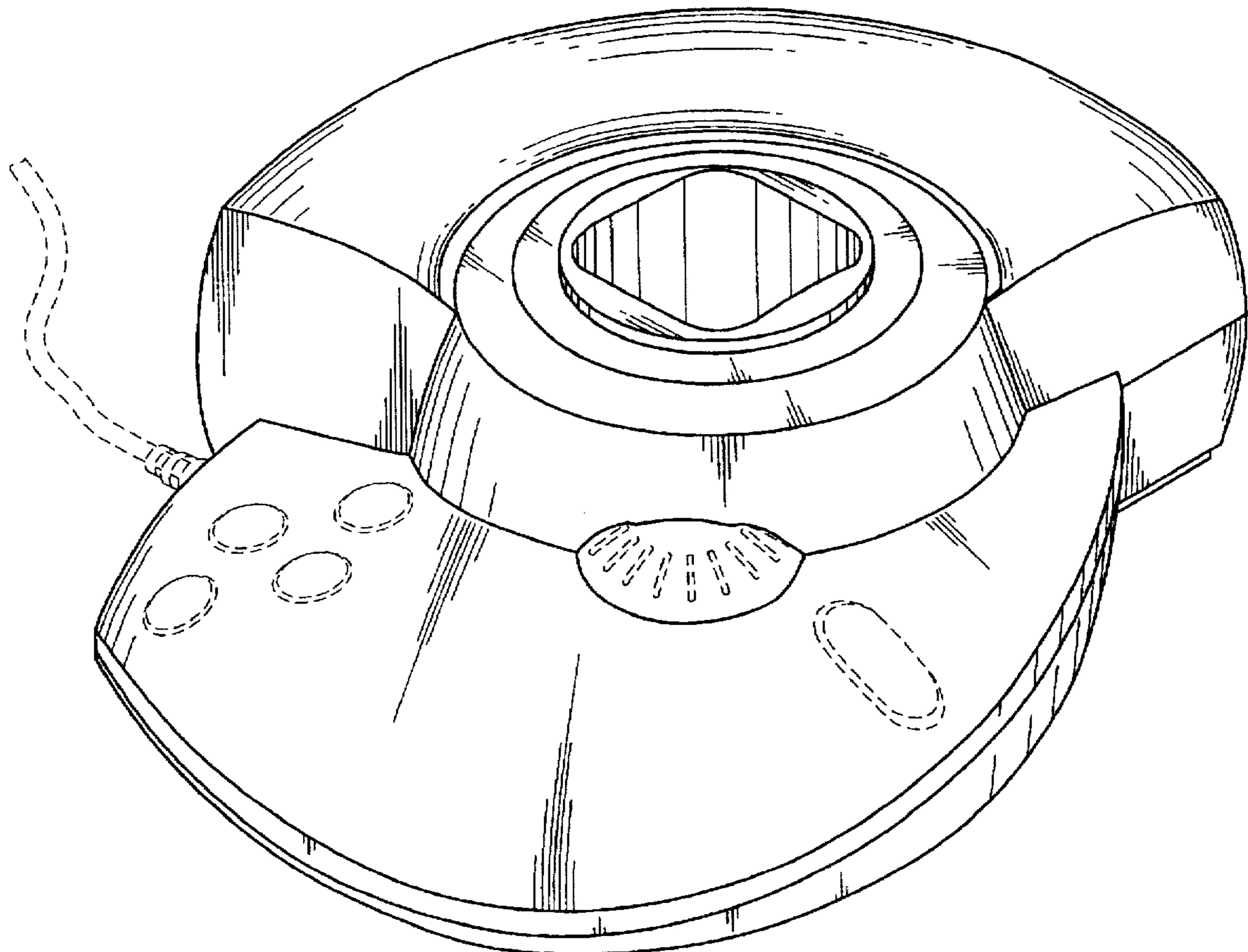
[57] CLAIM

The ornamental design for a joystick base, as shown and described.

DESCRIPTION

FIG. 1 is a perspective view of a joystick base showing our new design;
FIG. 2 is a right side elevational view thereof;
FIG. 3 is a left side elevational view thereof;
FIG. 4 is a front elevational view thereof;
FIG. 5 is a rear elevational view thereof;
FIG. 6 is a top plan view thereof; and,
FIG. 7 is a bottom plan view thereof.
The broken line showing of various electrical elements; bottom supports and cord is for illustrative purposes only and forms no part of the claim.

1 Claim, 7 Drawing Sheets



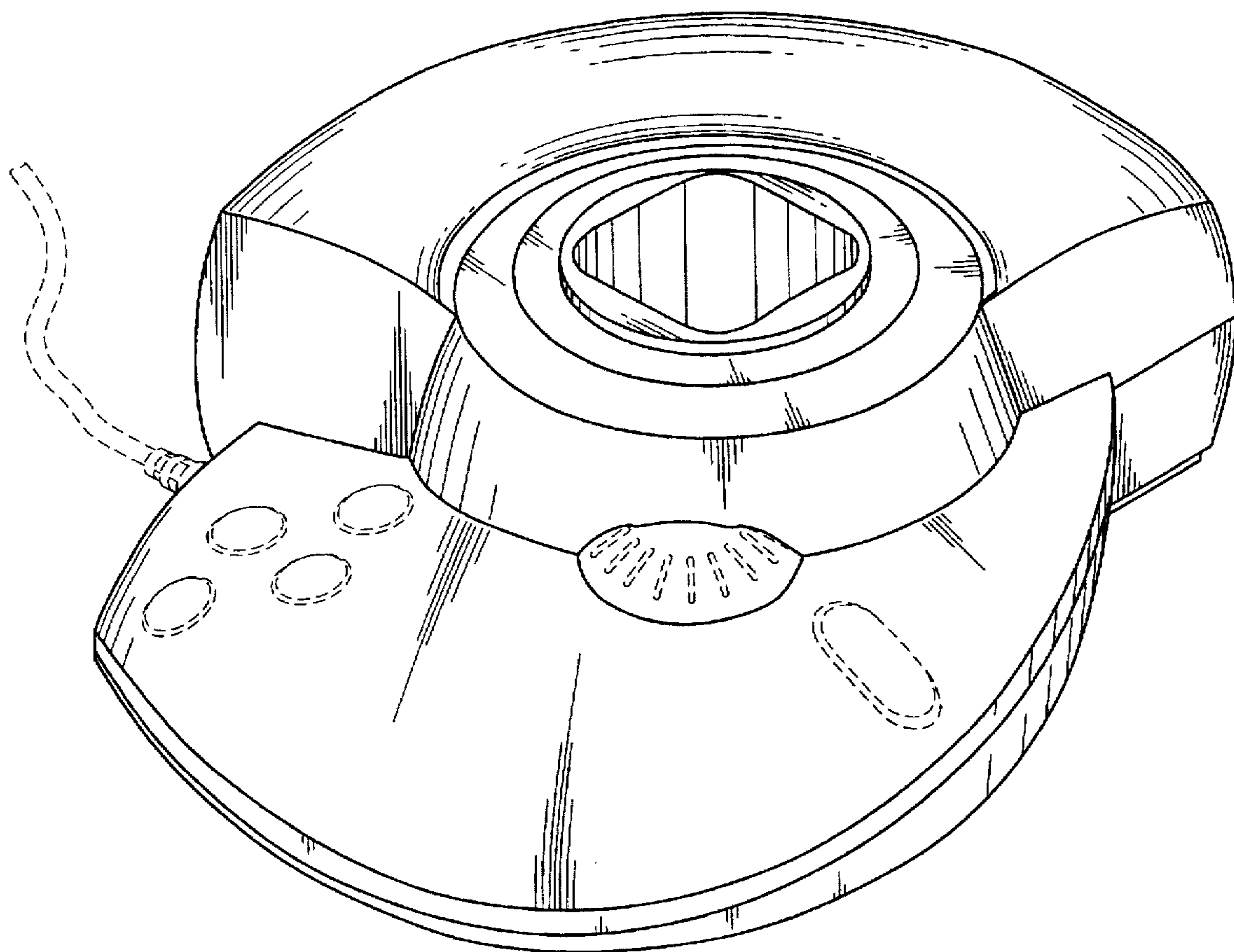


Fig. 1

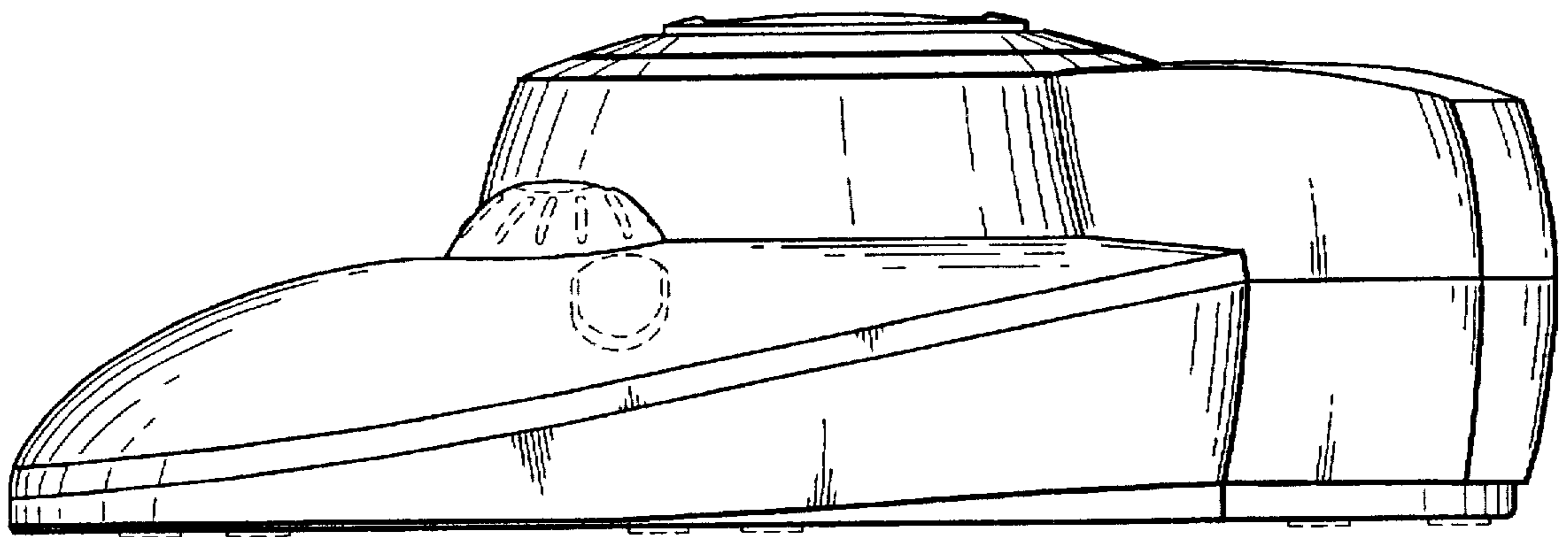


Fig. 2

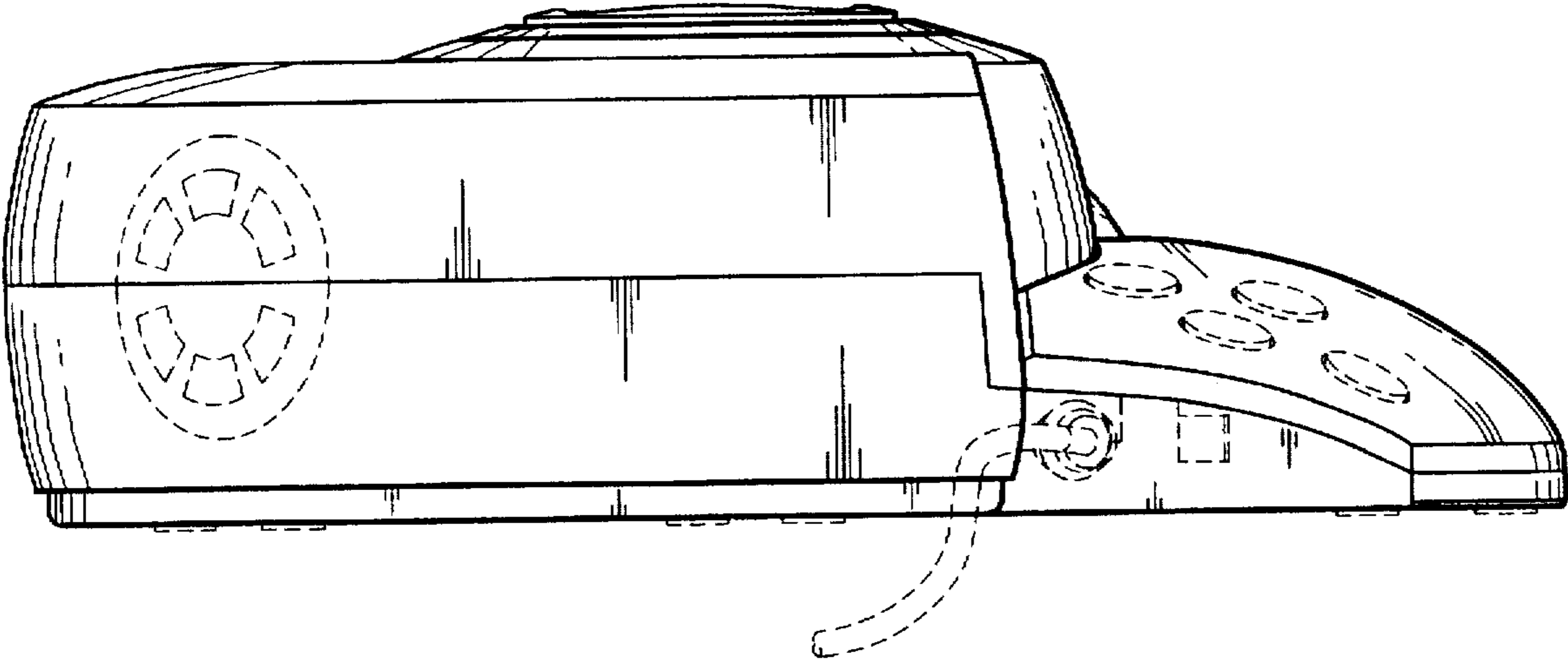


Fig. 3

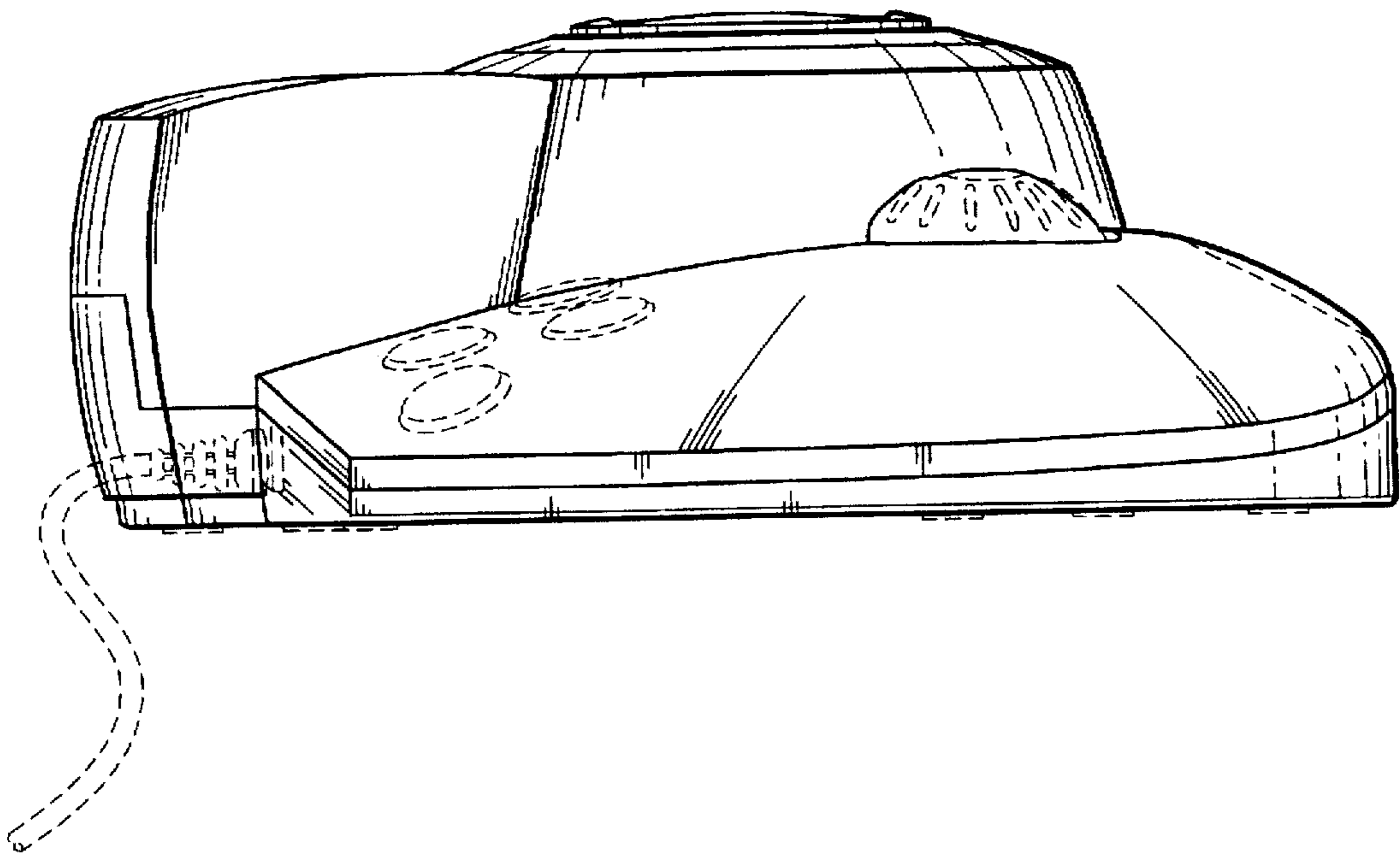


Fig. 4

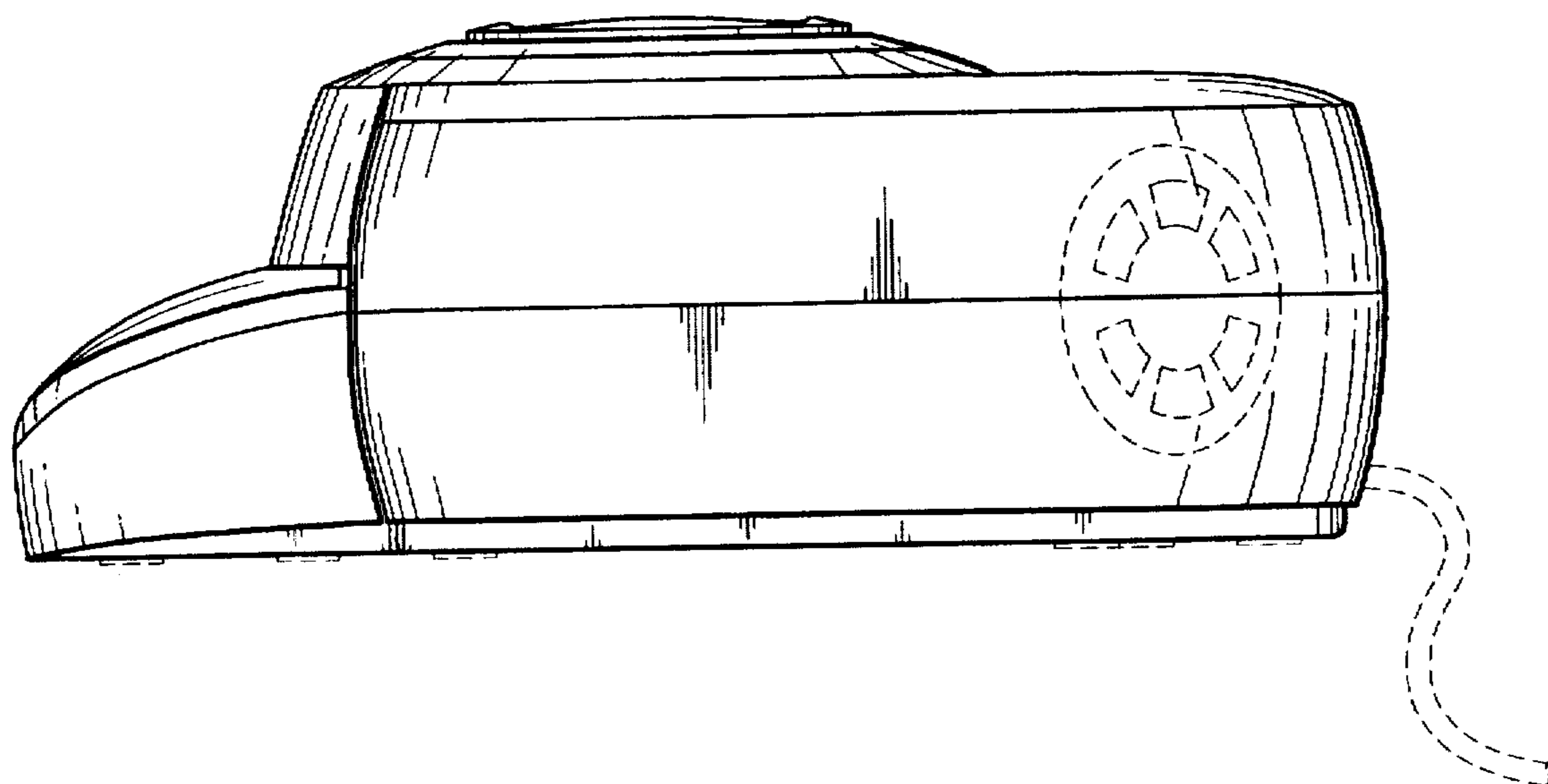


Fig. 5

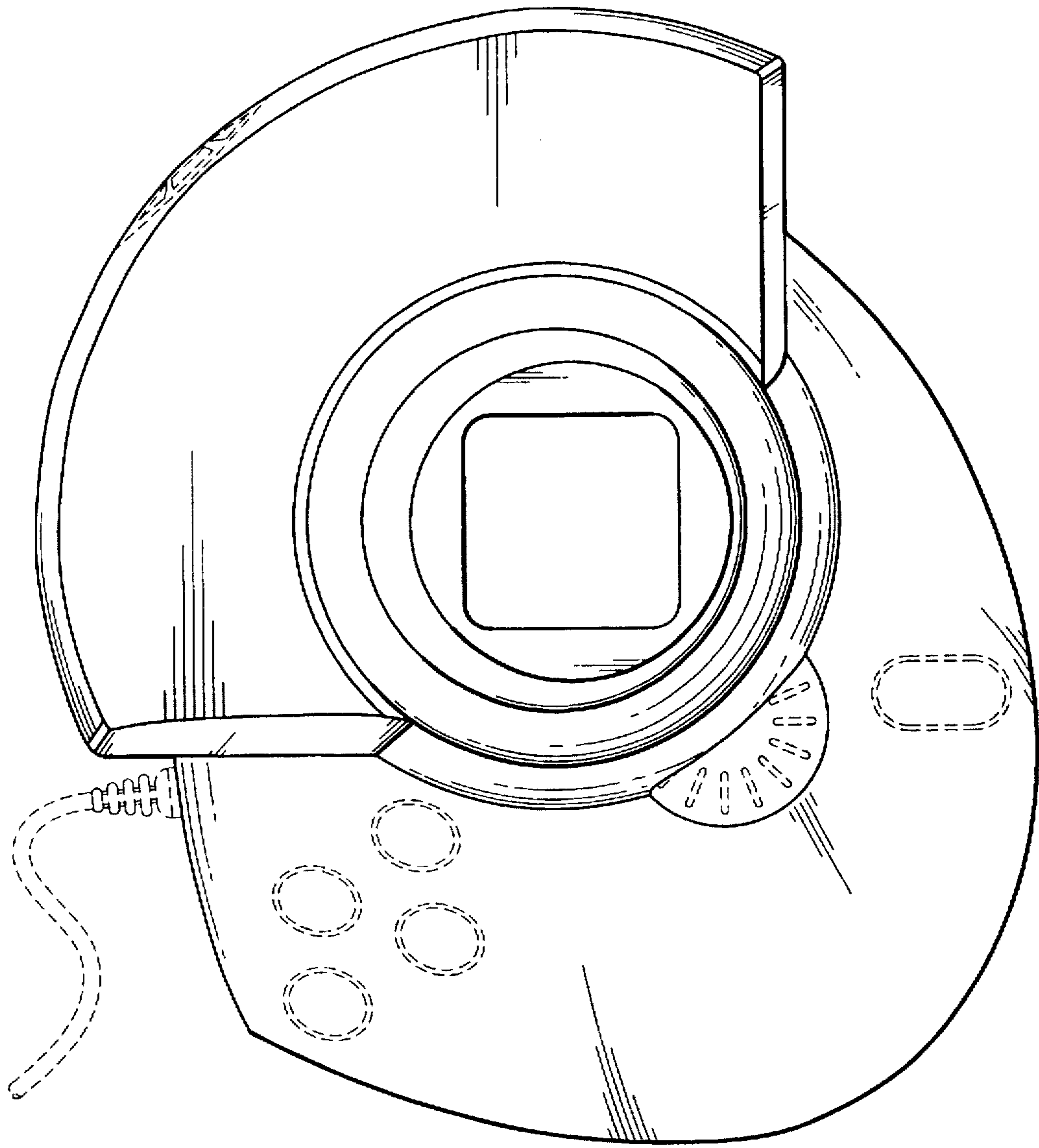


Fig. 6

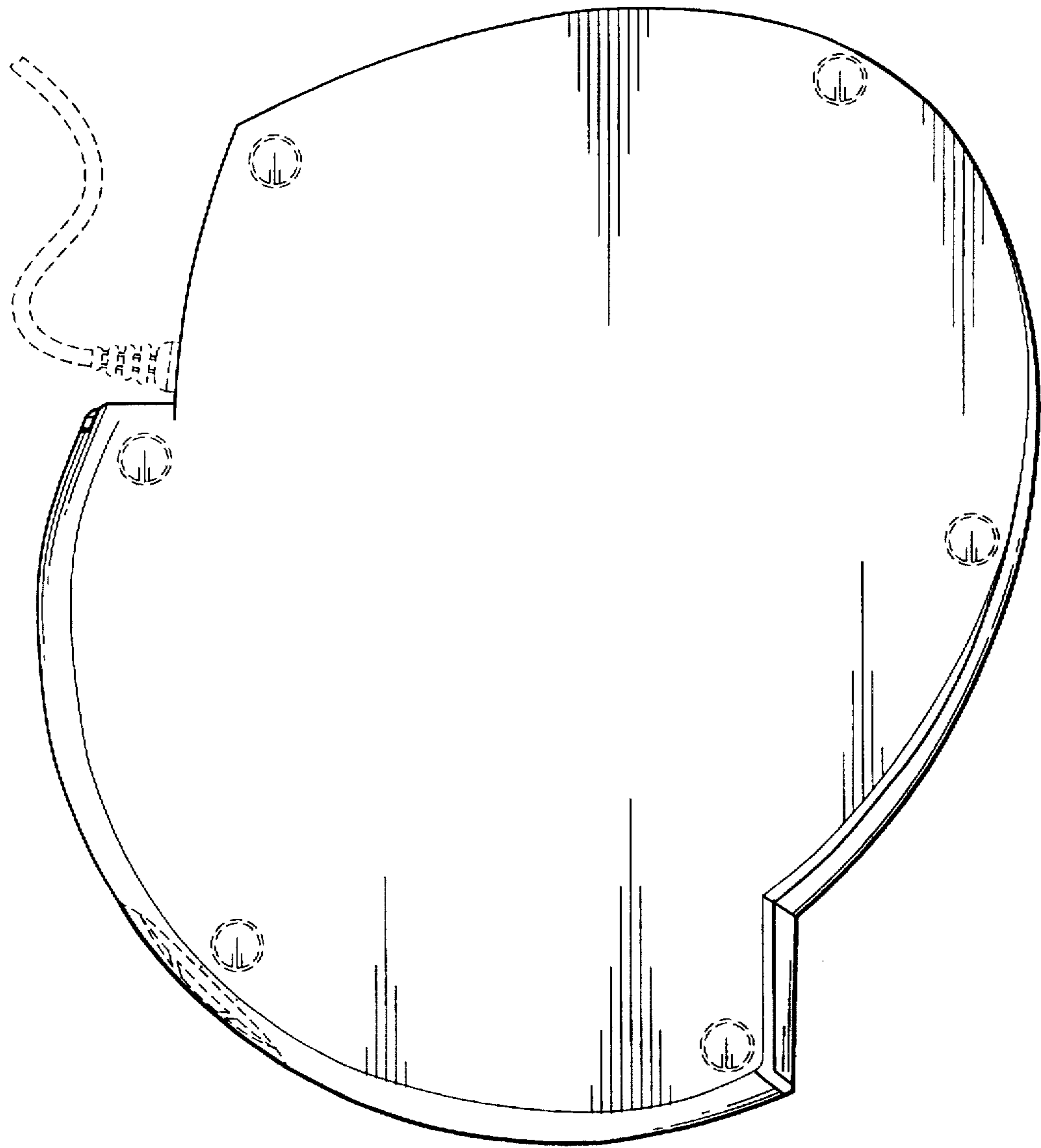


Fig. 7