

US00D393013S

United States Patent [19]

Ashida

[11] Patent Number: Des. 393,013

[45] Date of Patent: **Mar. 31, 1998

[54] **MAGNETIC DISK DRIVE FOR GAME MACHINE**

[75] Inventor: **Kenichiro Ashida**, Kyoto, Japan

[73] Assignee: **Nintendo Co., Ltd.**, Kyota, Japan

[**] Term: **14 Years**

[21] Appl. No.: **60,489**

[22] Filed: **Sep. 30, 1996**

[51] **LOC (6) Cl.** **21-01**

[52] **U.S. Cl.** **D21/48**

[58] **Field of Search** **D21/1, 13, 48;**
273/148 B, 30-35, 40-47, 1; D14/124,
125, 114, 217

[56] **References Cited**

U.S. PATENT DOCUMENTS

D. 324,548	3/1992	Ashida .	
D. 333,686	3/1993	Barr et al. .	
D. 349,520	8/1994	Iwakami	D21/48 X
D. 363,744	10/1995	Hama	D21/13
D. 366,039	1/1996	Bailey et al.	D14/121
D. 366,285	1/1996	Tada	D21/48
D. 375,304	11/1996	Takahata et al.	D21/48 X
D. 376,795	12/1996	Ashida	D14/121
D. 379,832	6/1997	Ashida	D21/48
5,161,803	11/1992	Ohara	463/44
5,213,327	5/1993	Kitaue	273/148 B

Primary Examiner—Prabhakar G. Deshmukh
Attorney, Agent, or Firm—Nixon & Vanderhye P.C.

[57] **CLAIM**

The ornamental design for a magnetic disk drive for game machine, as shown and described.

DESCRIPTION

FIG. 1 is a front elevational view of a magnetic disk drive for game machine showing a first embodiment;

FIG. 2 is a top plan view thereof;

FIG. 3 is a rear elevational view thereof;

FIG. 4 is a bottom plan view thereof;

FIG. 5 is a right side view thereof, the left side view being identical thereto;

FIG. 6 is a top, front, and right side perspective view thereof;

FIG. 7 is a bottom, rear, and left side perspective view thereof;

FIG. 8 is a front elevational view of a magnetic disk drive for game machine showing a second embodiment;

FIG. 9 is a top plan view thereof;

FIG. 10 is a rear elevational view thereof;

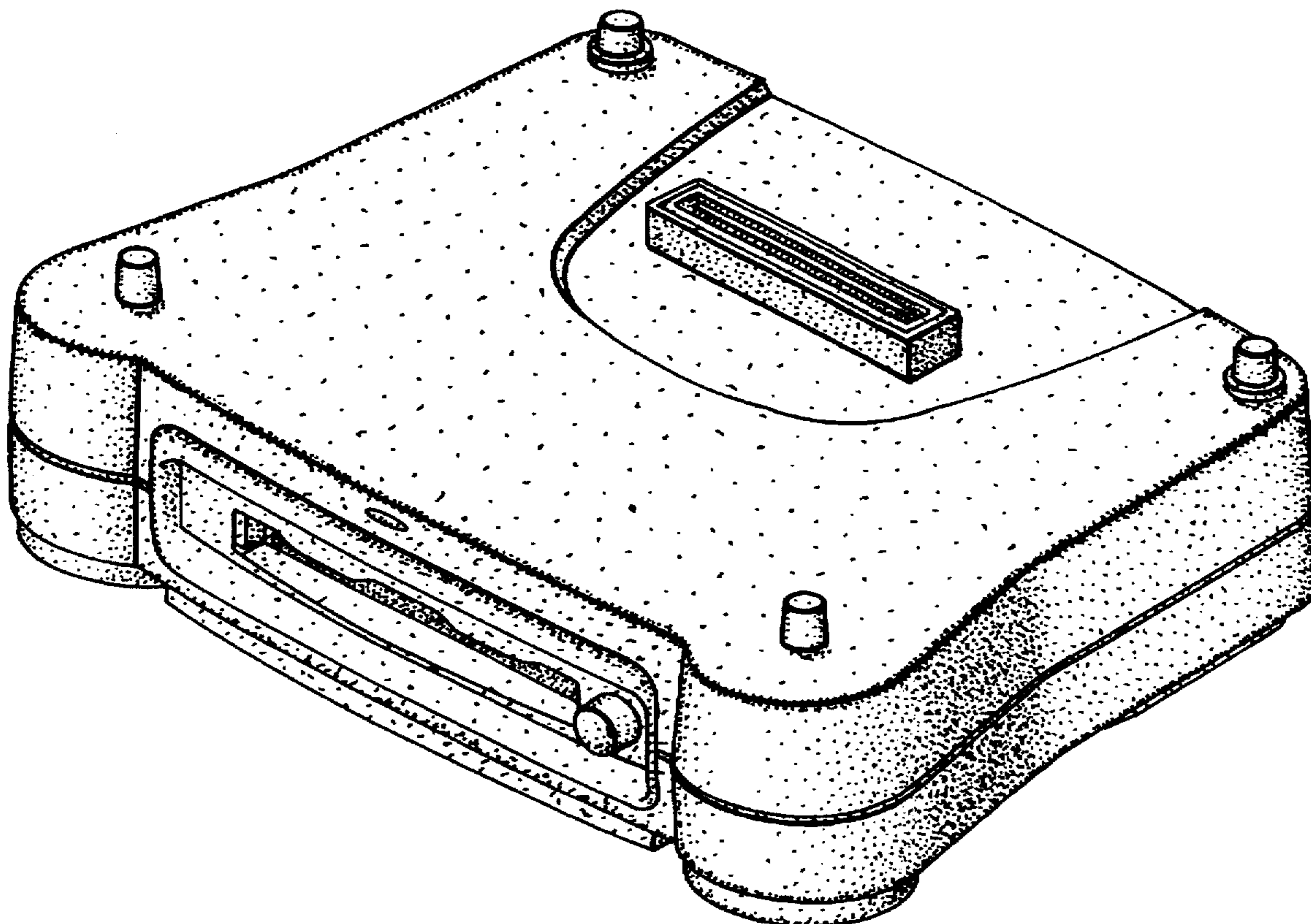
FIG. 11 is a bottom plan view thereof;

FIG. 12 is a right side view thereof, the left side view being identical thereto;

FIG. 13 is a top, front, and right side perspective view thereof; and,

FIG. 14 is a bottom, rear, and left side perspective view thereof.

1 Claim, 10 Drawing Sheets



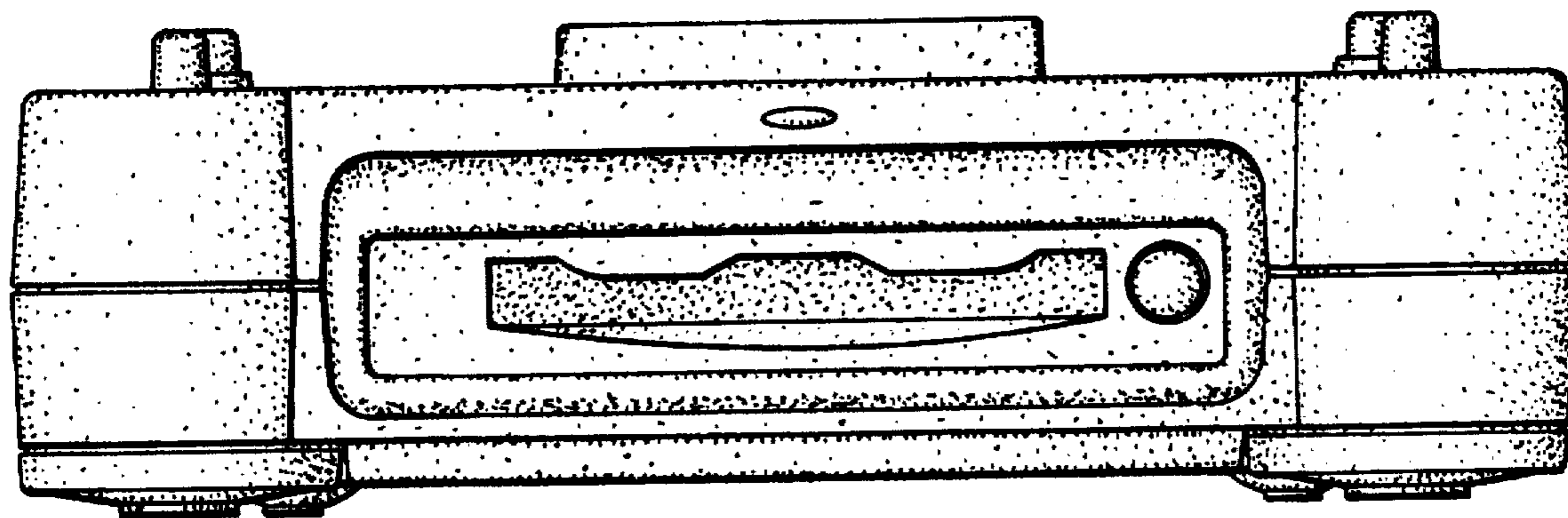


FIG. 1

FIG. 2

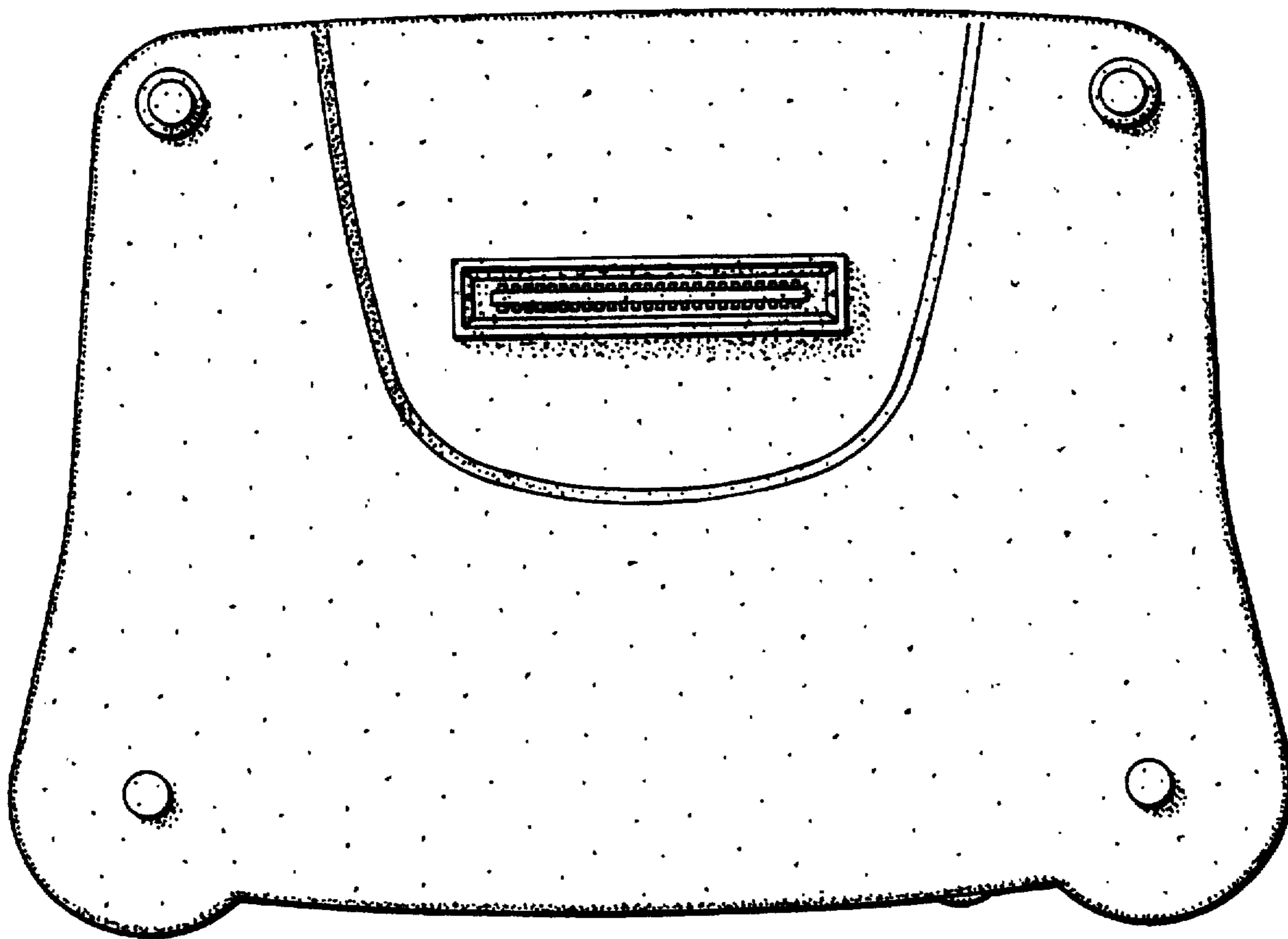


FIG. 3

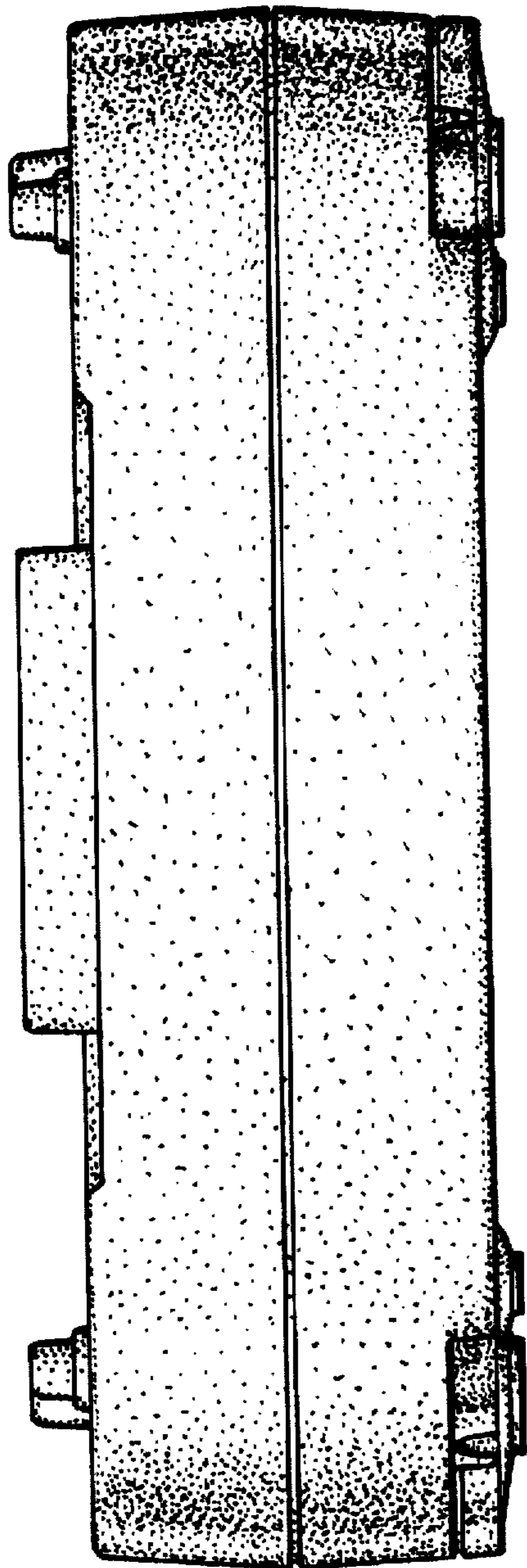


FIG. 5

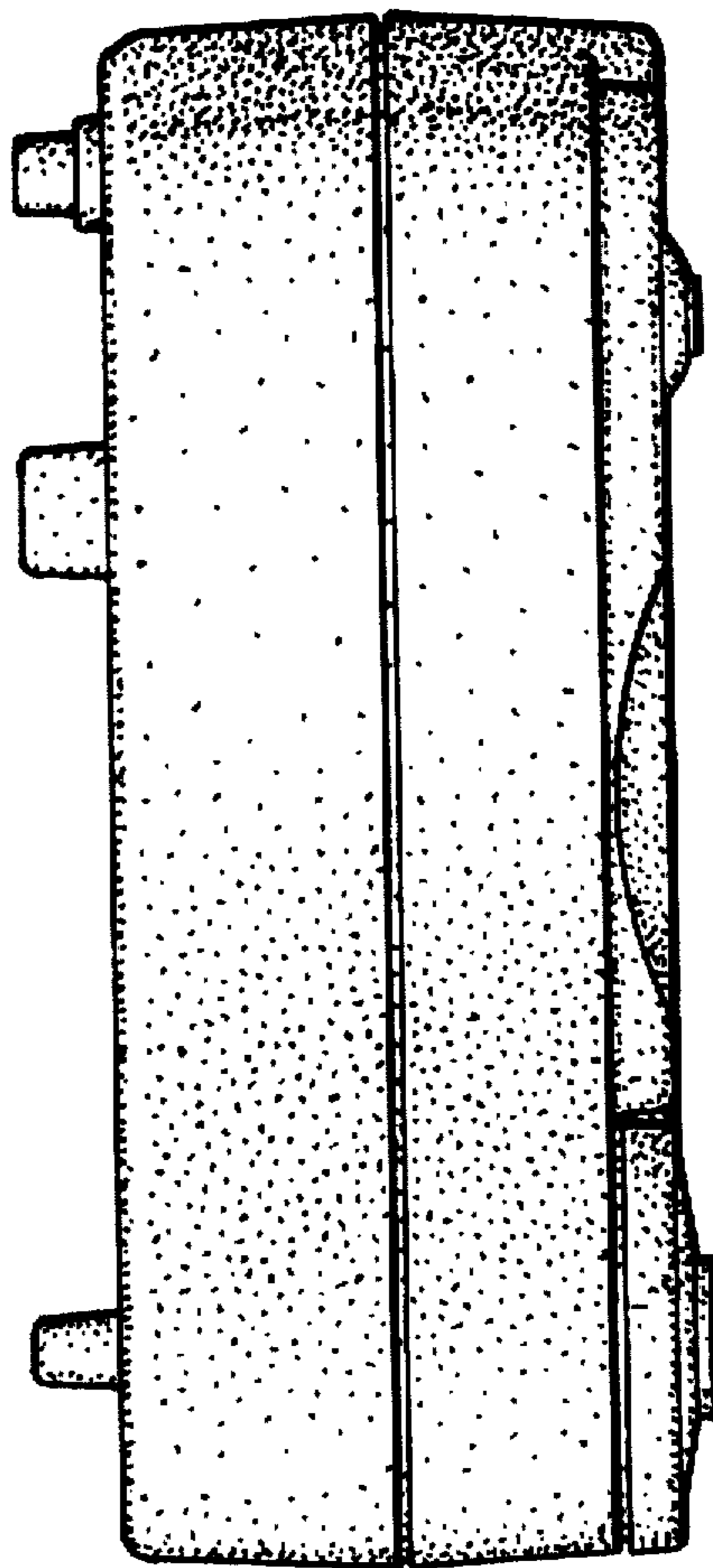


FIG. 4

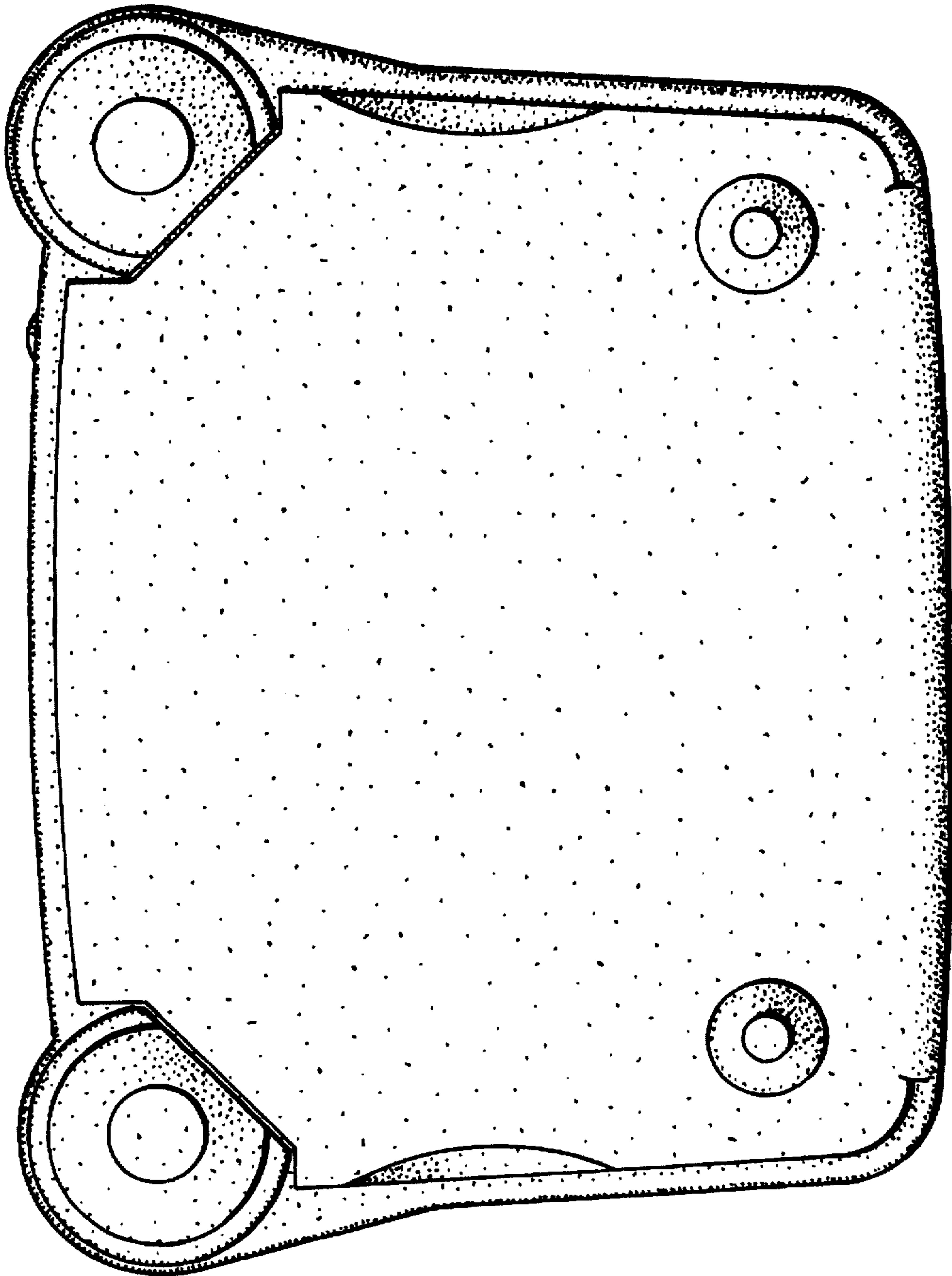
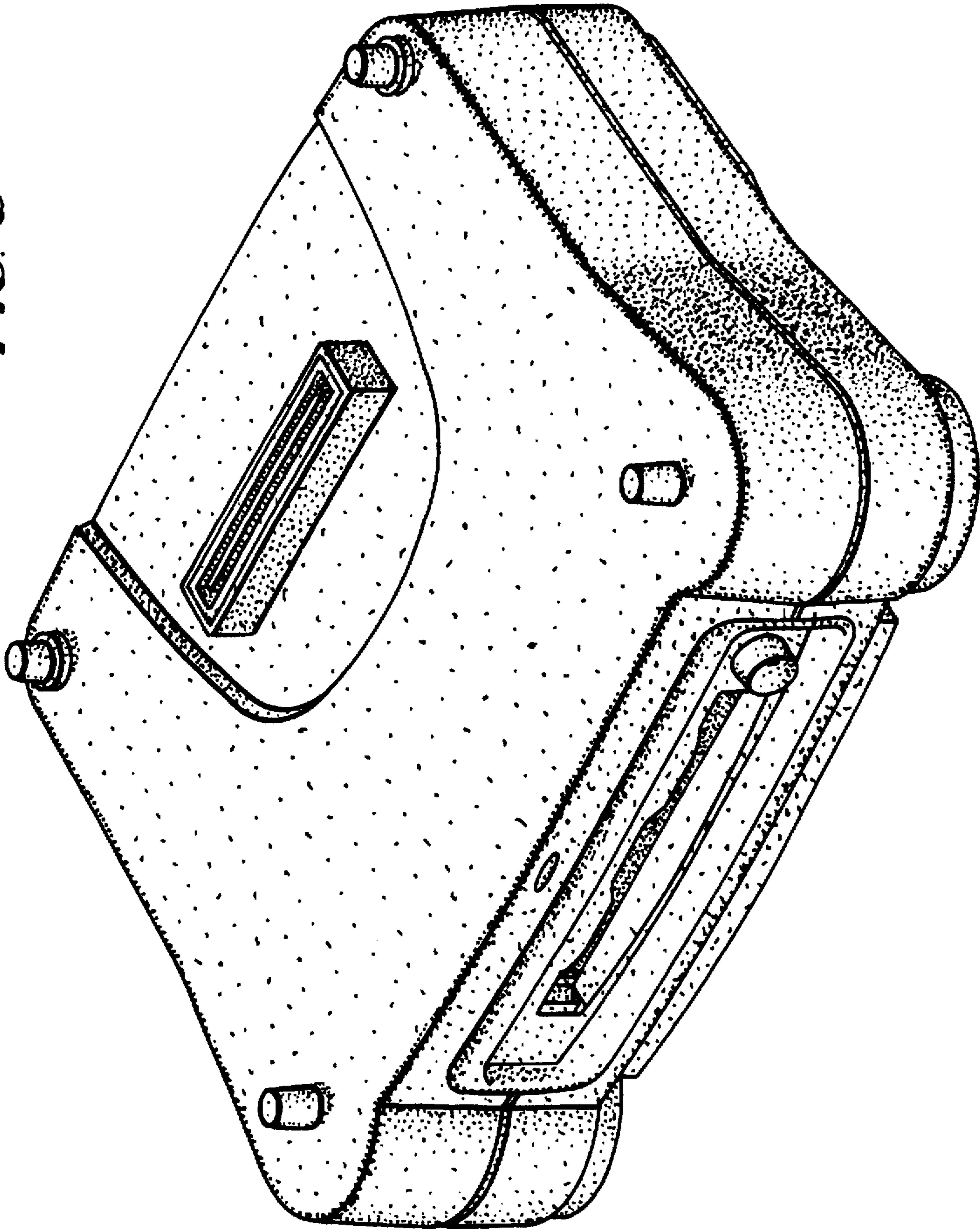


FIG. 6



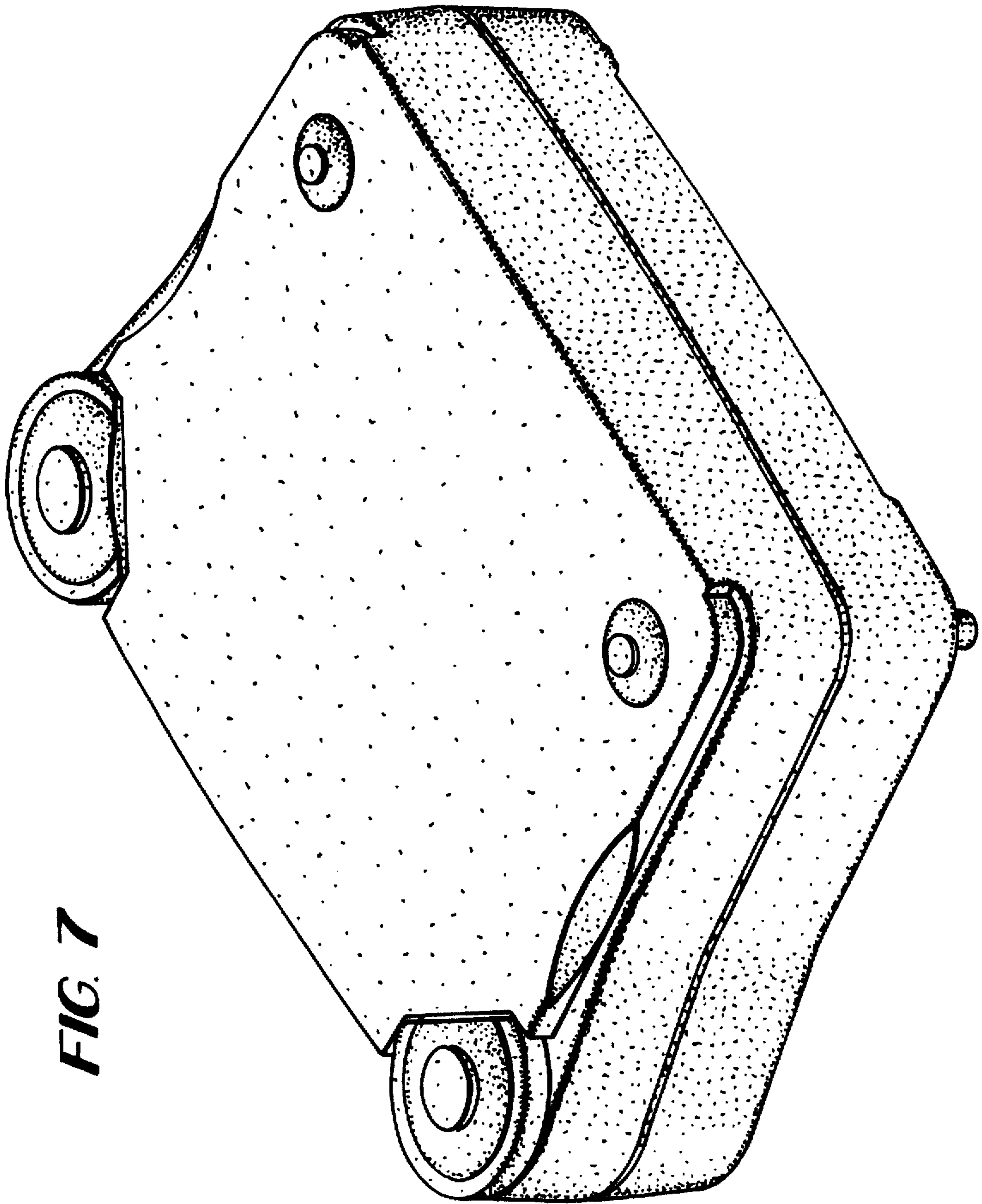


FIG. 7

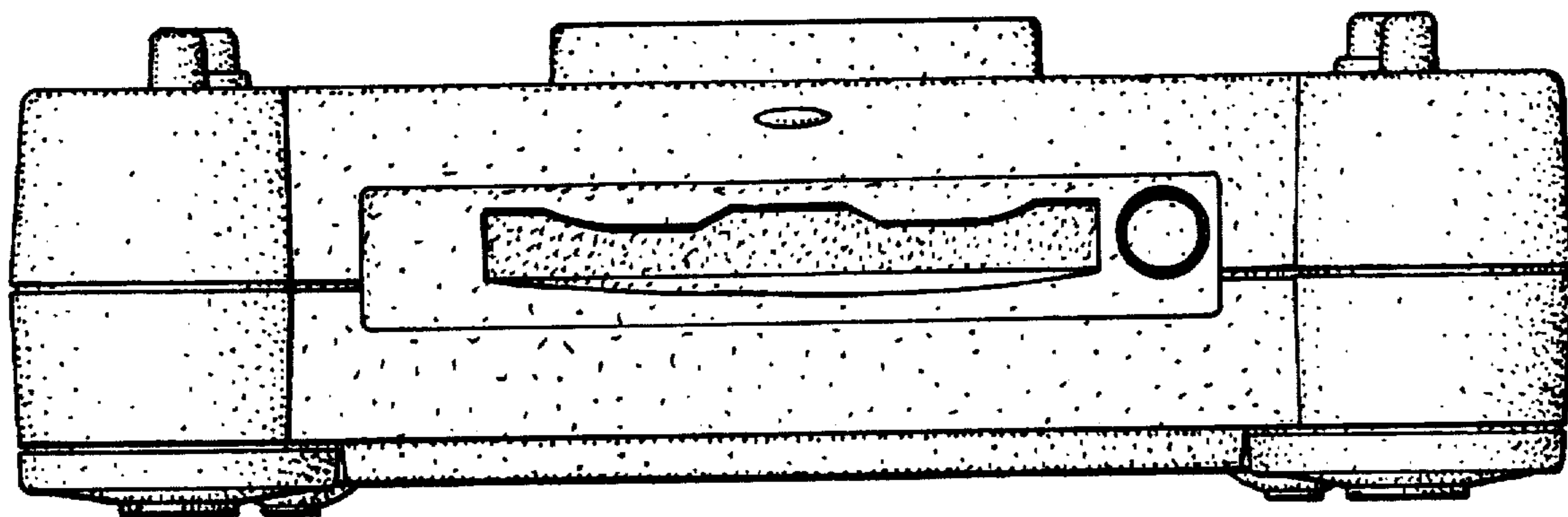


FIG. 8

FIG. 9

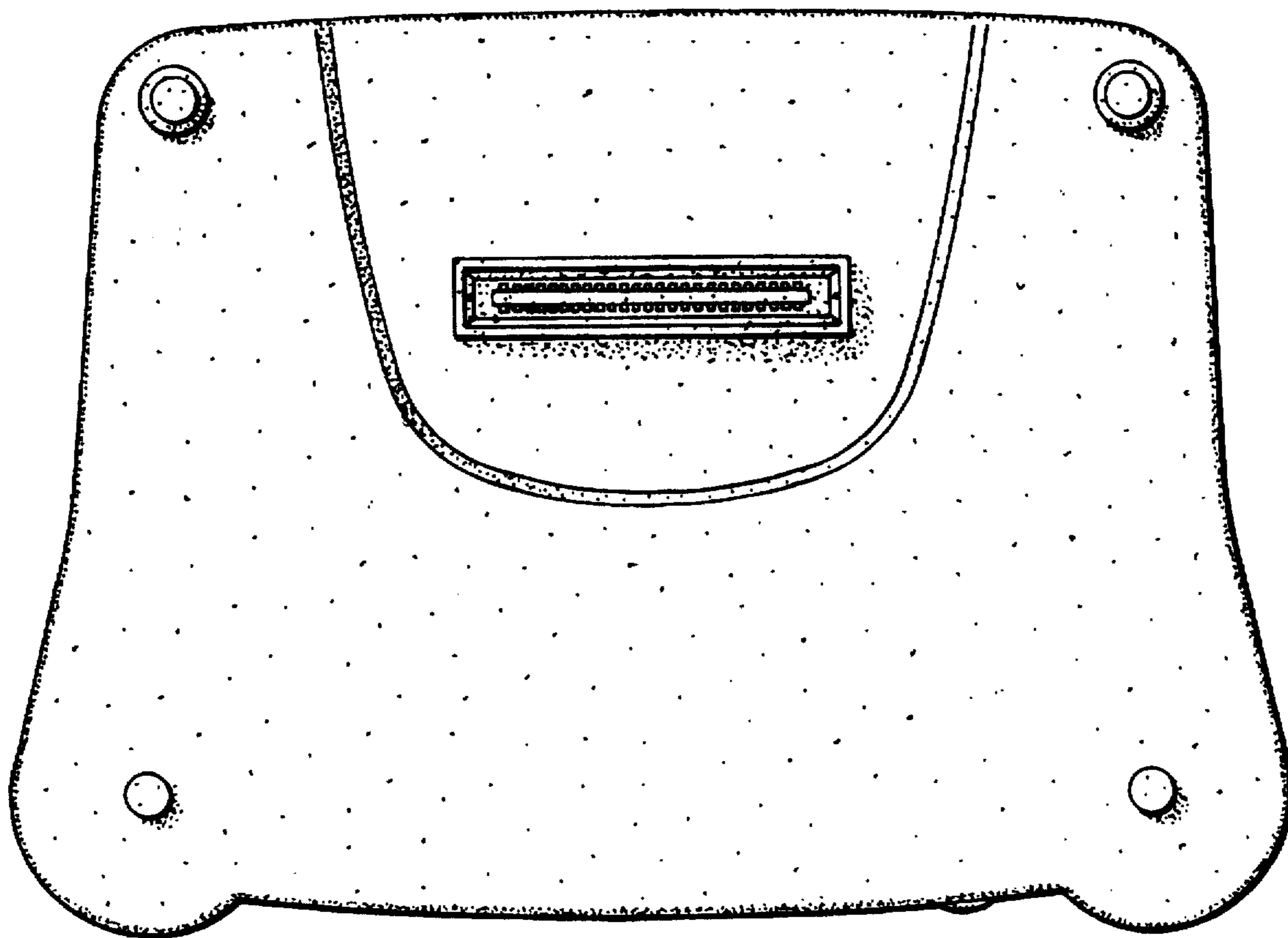


FIG. 10

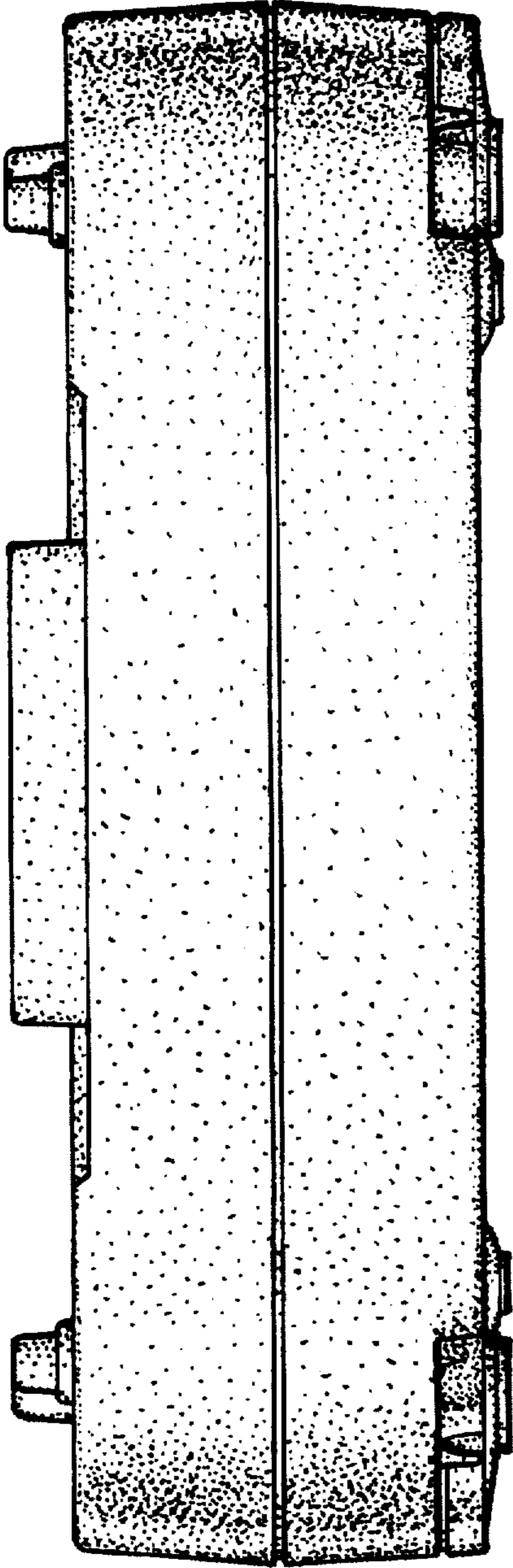


FIG. 12

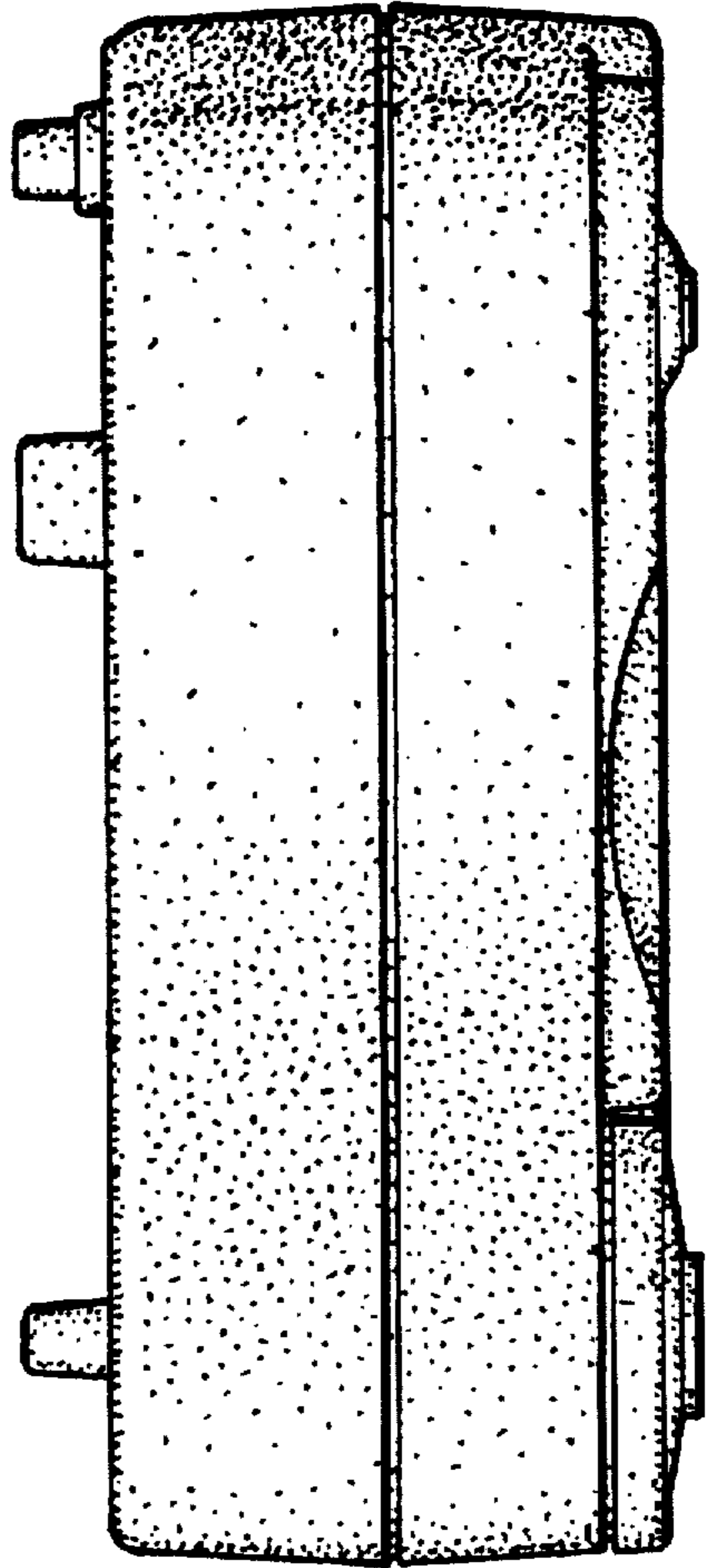


FIG. 11

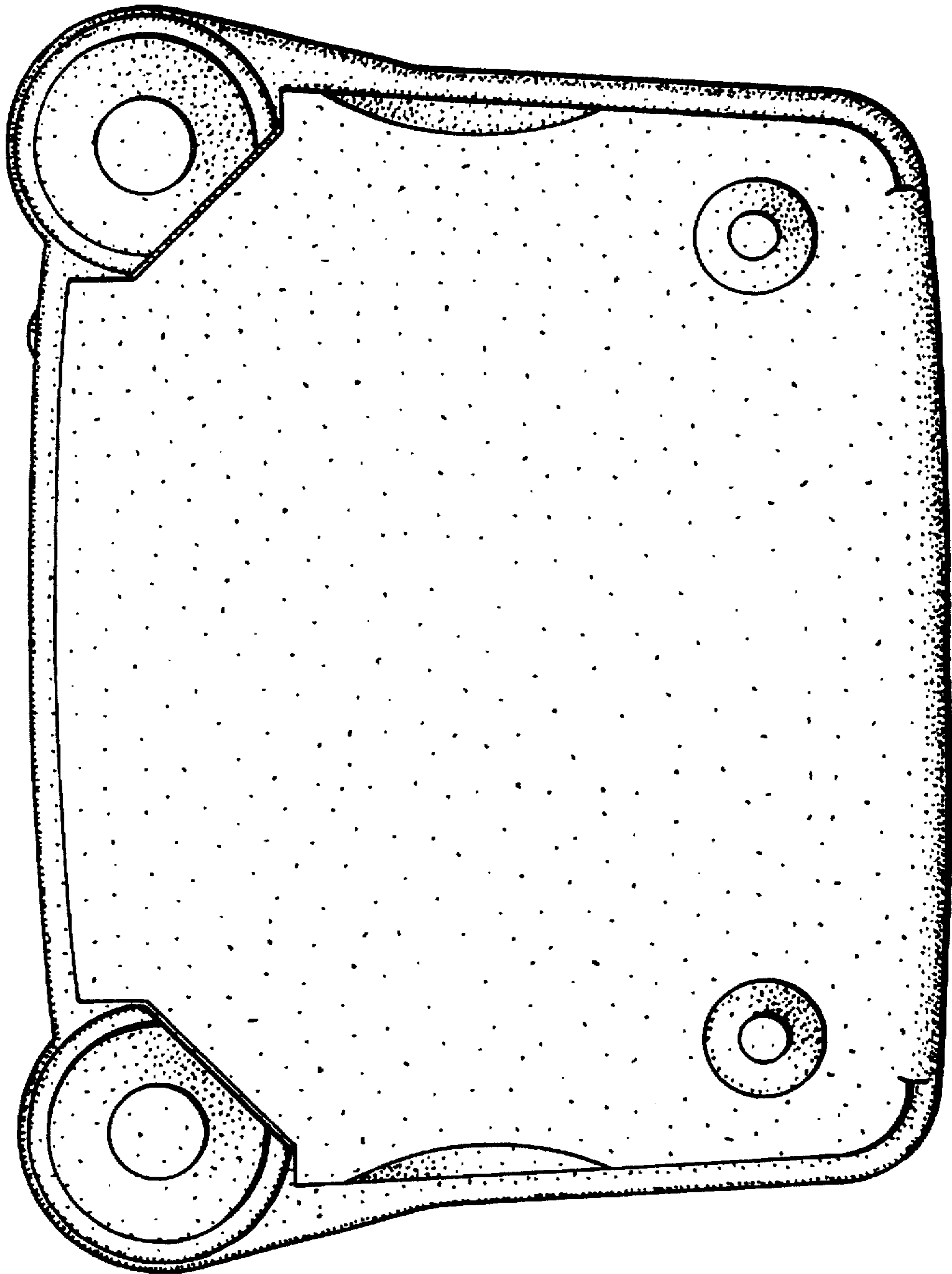
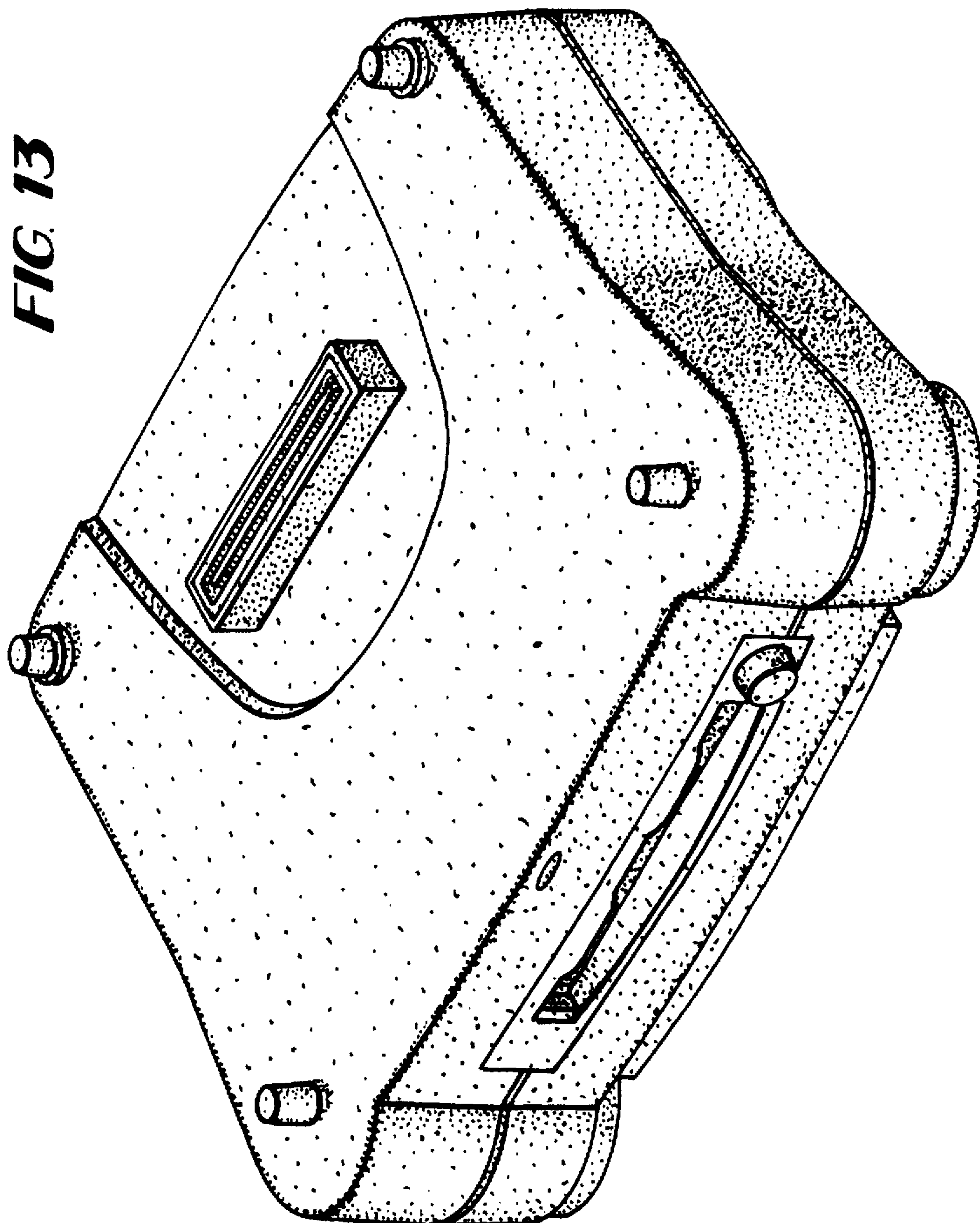


FIG. 13



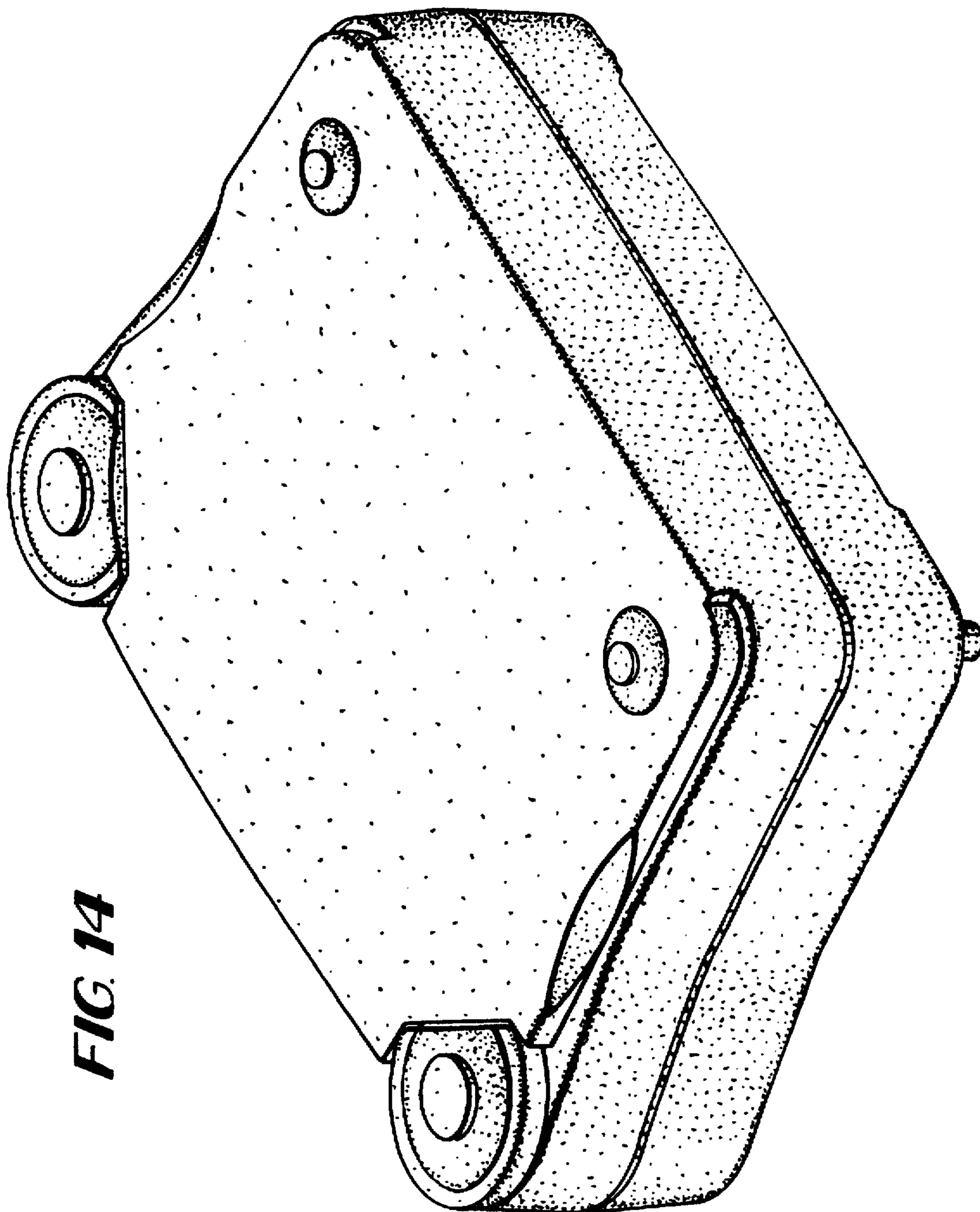


FIG. 14