



US00D393000S

United States Patent [19]
Yang

[11] **Patent Number: Des. 393,000**
[45] **Date of Patent: **Mar. 31, 1998**

[54] **PEN**

D. 342,277 12/1993 Yoshinaga et al. D19/42
D. 356,053 3/1995 Engelke D11/121

[76] **Inventor: Chin-Chen Yang, 1F, No. 3, Lane 530,
Min Tsu Rd., Lu Chou, Taipei Hsien,
Taiwan**

OTHER PUBLICATIONS

Gift & Tableware Reporter, see page 39, circled clown pen,
lower left, Jan. 6, 1964.

[**] **Term: 14 Years**

Primary Examiner—Martie Thompson
Attorney, Agent, or Firm—Morton J. Rosenberg; David I.
Klein; Jun Y. Lee

[21] **Appl. No.: 73,679**

[22] **Filed: Jul. 15, 1997**

[51] **LOC (6) Cl. 19-06**

[52] **U.S. Cl. D19/42; D11/129; D21/179;
D19/46; D19/51**

[58] **Field of Search D11/129; D21/179;
D19/35, 36, 41, 42, 43-51, 53-58, 81-85;
401/6, 7, 88, 52, 195, 112, 99, 100, 209**

[57] **CLAIM**

The ornamental design for a "pen", as shown and described.

DESCRIPTION

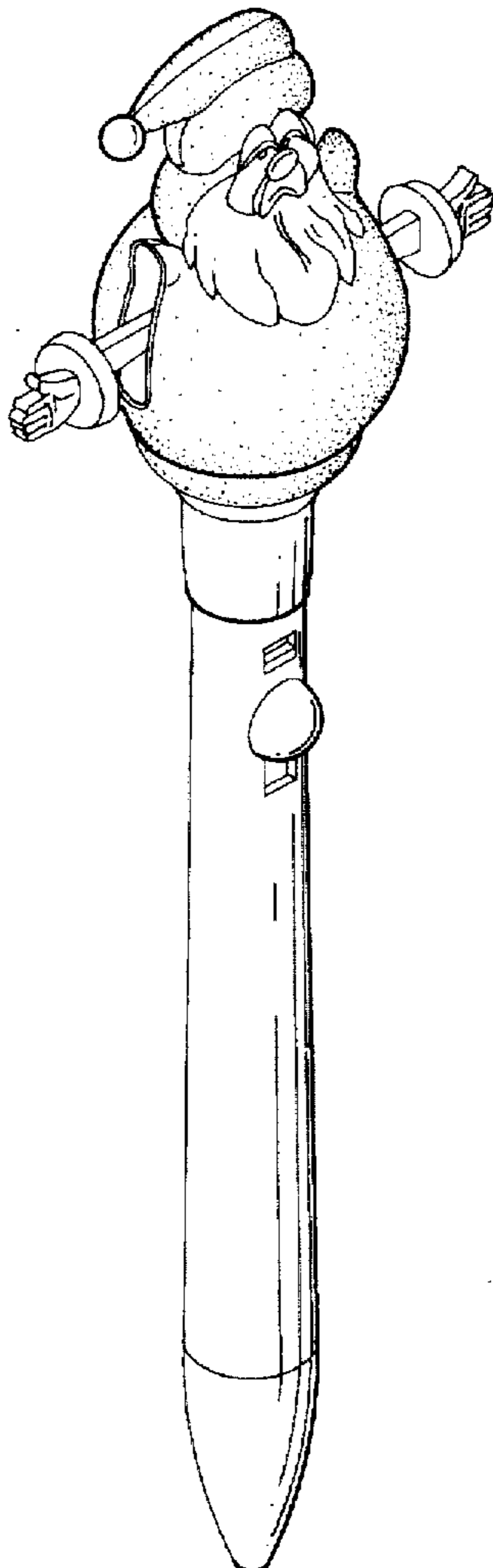
FIG. 1 is the perspective view of a "pen" showing my new
design;
FIG. 2 is the front elevational view thereof;
FIG. 3 is the rear elevational view thereof;
FIG. 4 is the left side elevational view thereof;
FIG. 5 is the right side elevational view thereof;
FIG. 6 is the top plan view thereof; and,
FIG. 7 is the bottom plan view thereof.

[56] **References Cited**

U.S. PATENT DOCUMENTS

D. 138,948 9/1944 Aszody D21/179 X
D. 191,748 11/1961 Gale D21/179
D. 222,305 10/1971 Feuer D19/42
D. 222,306 10/1971 Feuer D19/42
D. 328,310 7/1992 Yoshinaga D19/46 X

1 Claim, 4 Drawing Sheets



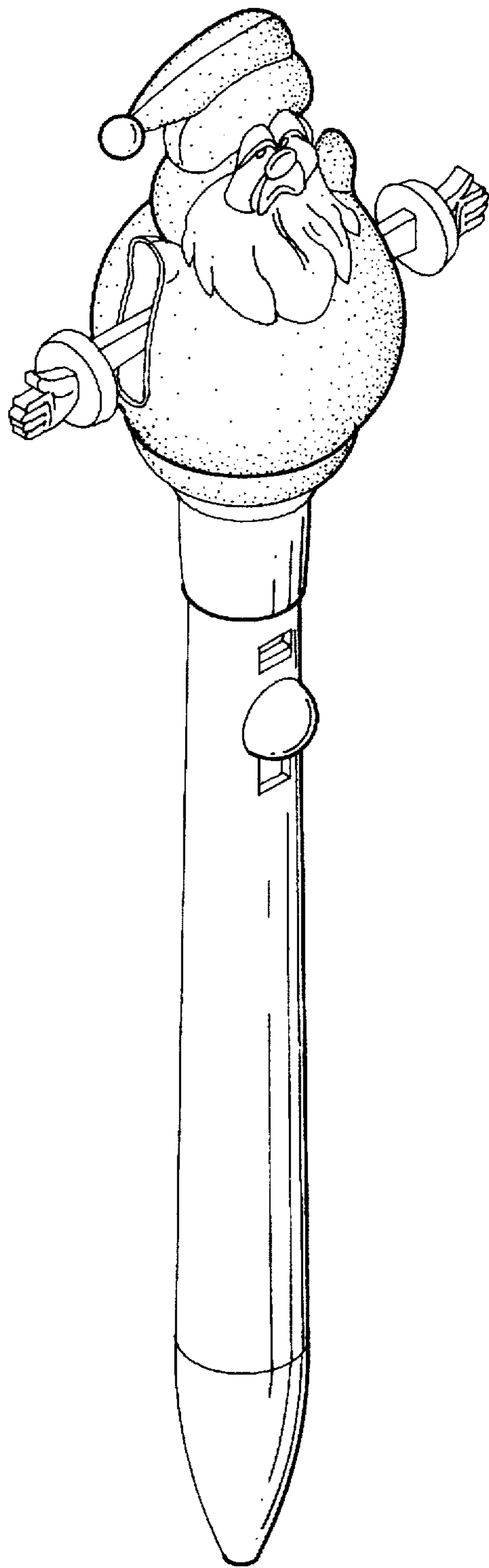


FIG. 1

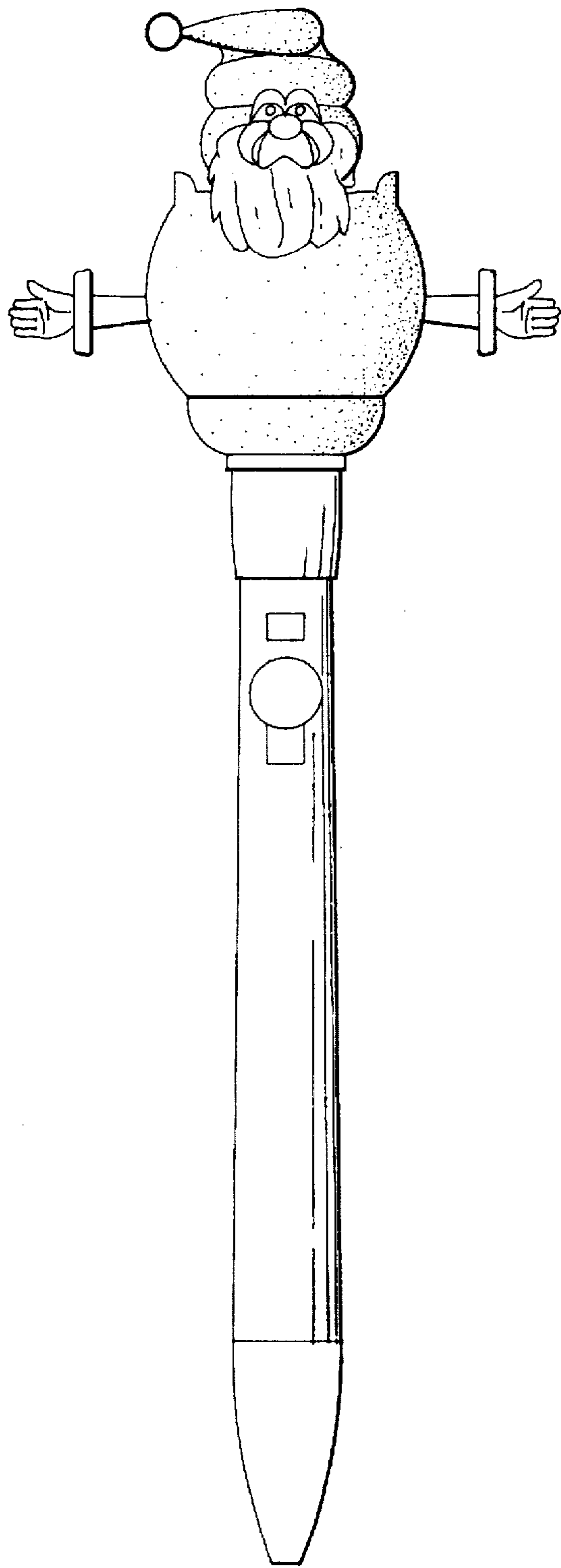


FIG. 2

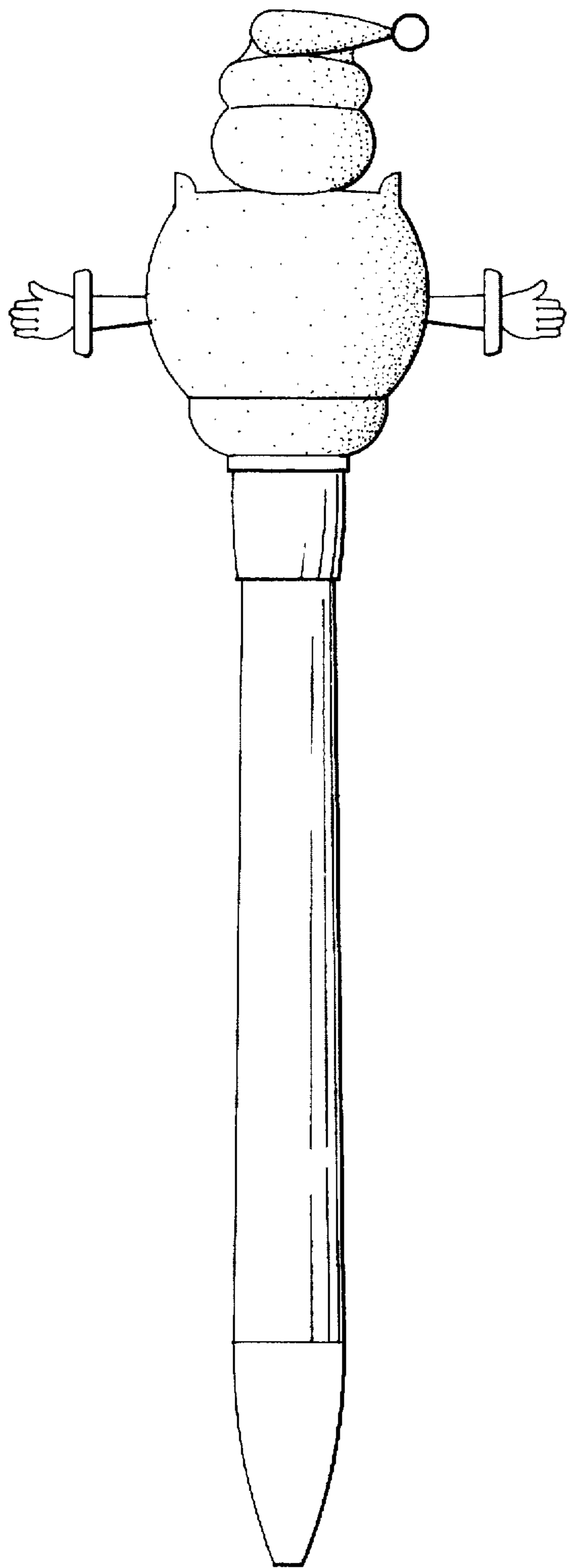


FIG. 3

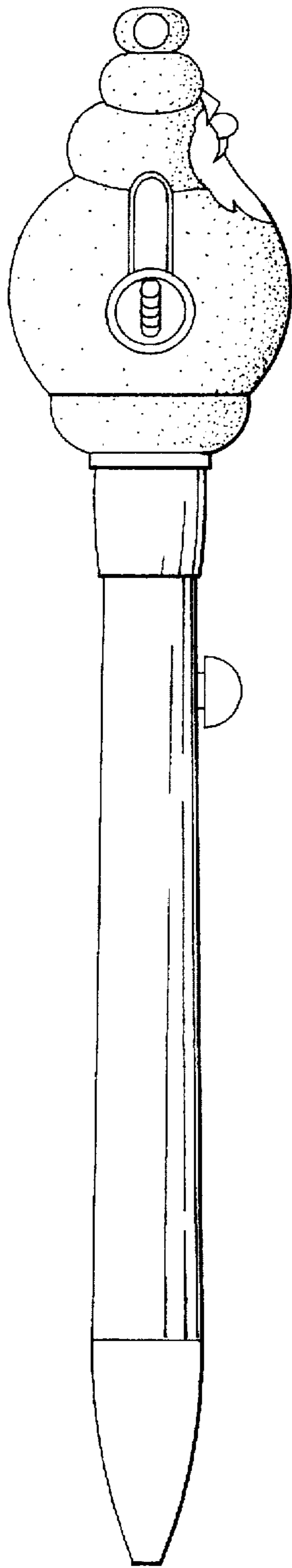


FIG. 4

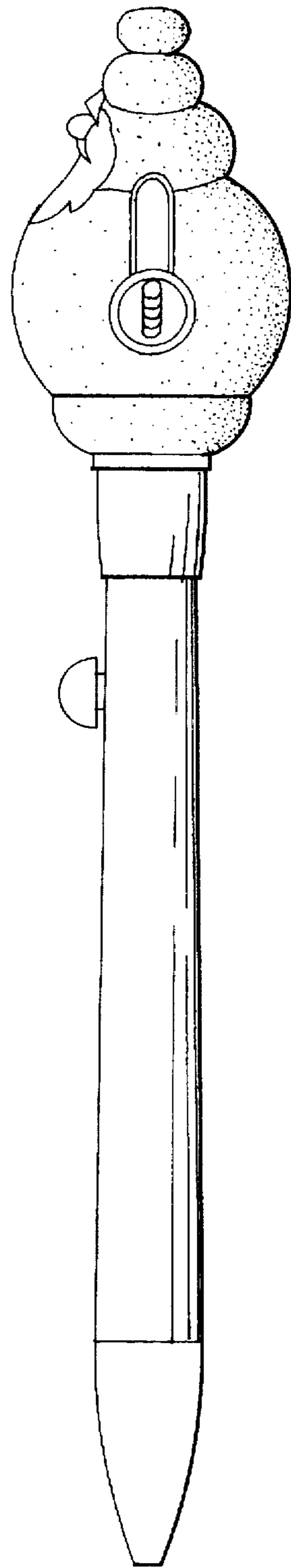


FIG. 5

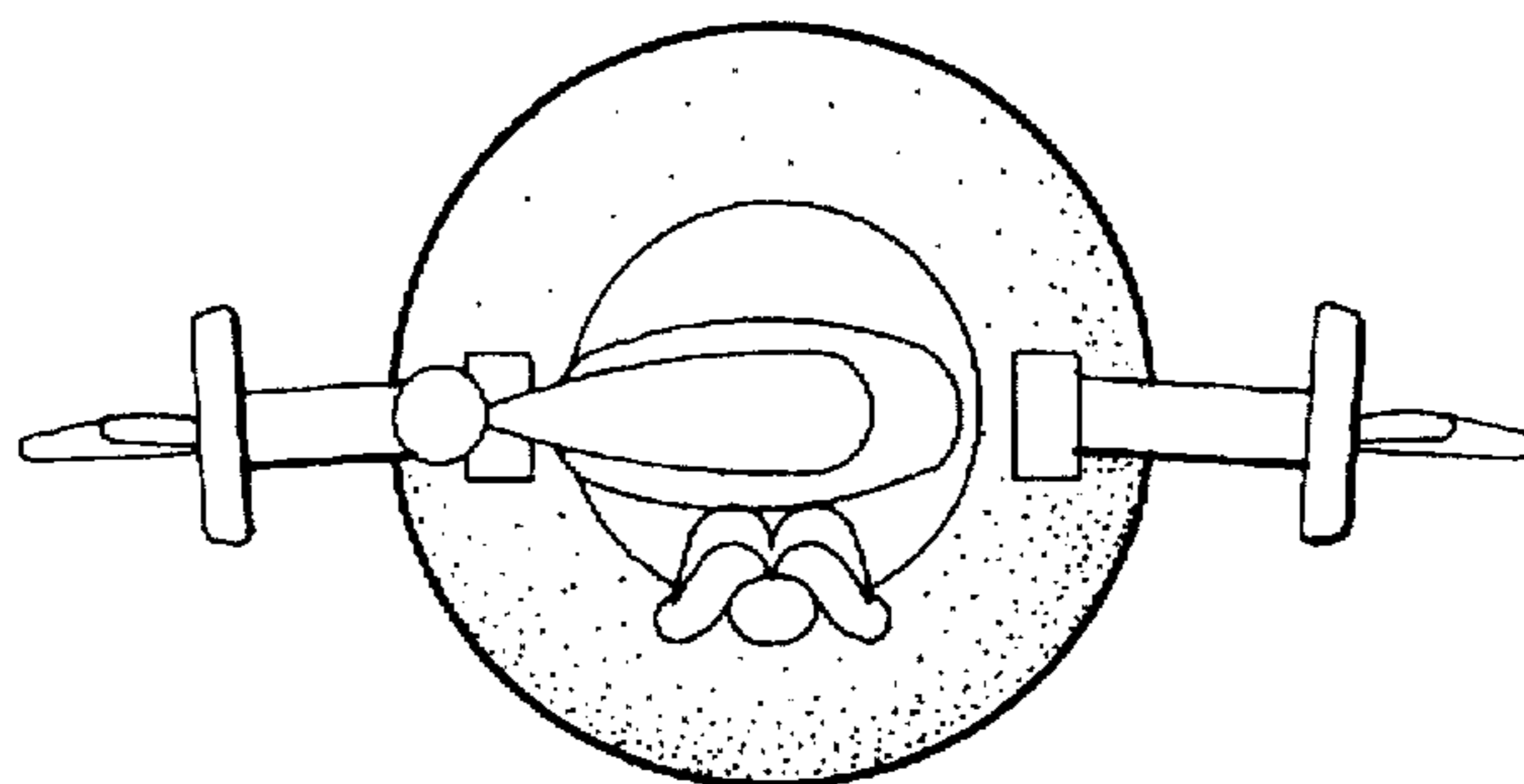


FIG. 6

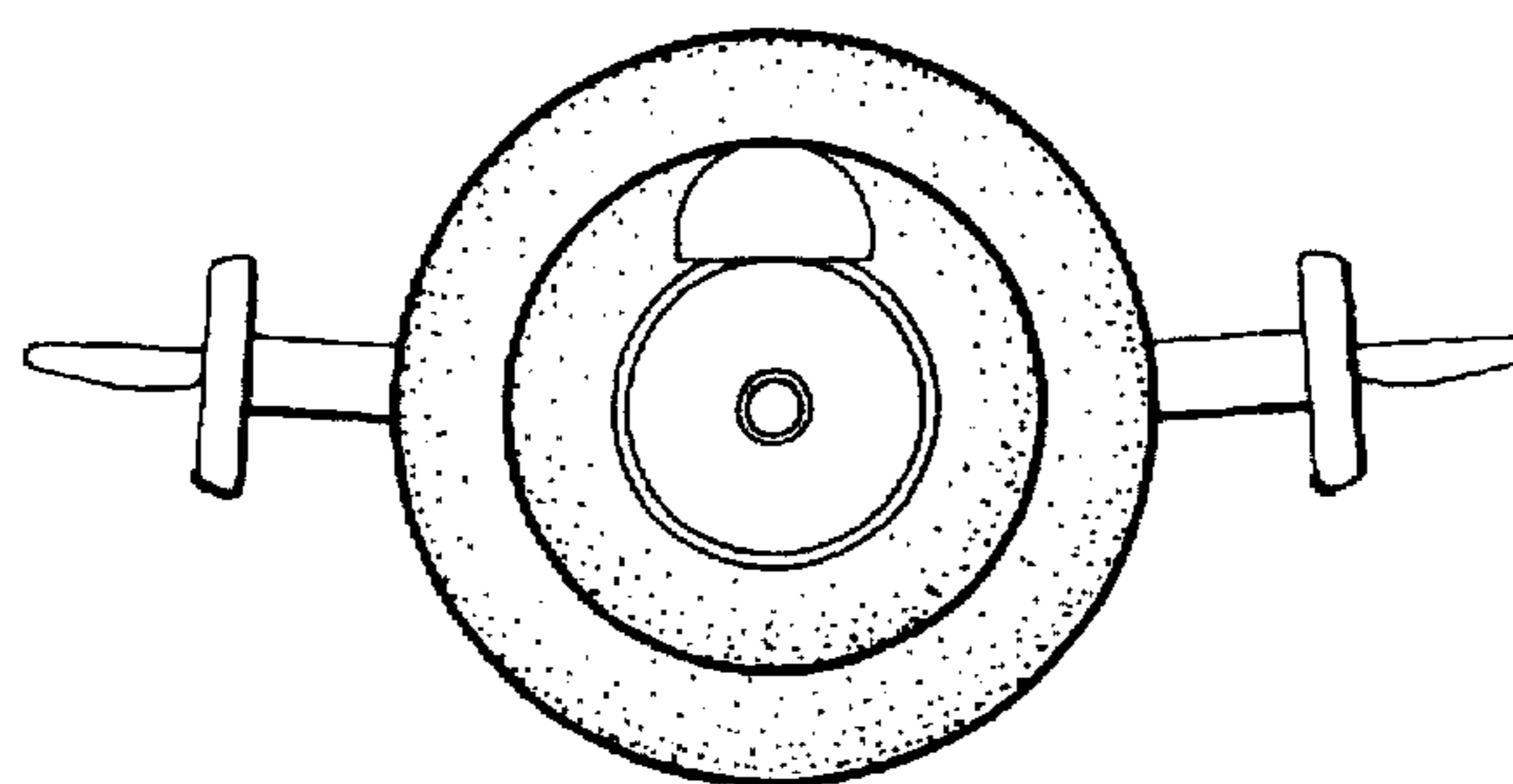


FIG. 7