

US00D392997S

United States Patent [19]
Chan

[11] **Patent Number: Des. 392,997**
[45] **Date of Patent: ***Mar. 31, 1998**

[54] **RING BINDER**
[75] **Inventor: Keung Chan, An Hsin, China**
[73] **Assignee: Leco Stationery Manufacturing Company, Limited, New Territories, Hong Kong**
[*] **Notice: The portion of the term of this patent subsequent to Feb. 24, 2012, has been disclaimed.**
[**] **Term: 14 Years**
[21] **Appl. No.: 60,298**
[22] **Filed: Sep. 18, 1996**
[30] **Foreign Application Priority Data**
Jul. 23, 1996 [GB] United Kingdom 2057878
[51] **LOC (6) Cl. 19-04**
[52] **U.S. Cl. D19/32; D19/27**
[58] **Field of Search D19/26, 27, 32, D19/49, 100; 281/29, 31, 33, 45, 19.2; 402/60, 70, 74, 75, 76, 77, 26, 38, 42, 39, 37, 80 R, 80 P, 20, 24**

2,715,906 8/1955 Lucchesi 402/20
3,936,202 2/1976 Brajtuli 402/24
4,518,275 5/1985 Rauch, III et al. 402/80 P
4,750,884 6/1988 Bourgeois et al. 402/75
4,765,462 8/1988 Rose, Jr. D19/27 X

OTHER PUBLICATIONS

U.S. Government Office & Furnishings Supply Catalog, p. 158. See Ring Binder #11452, ©1981.

Primary Examiner—Martie Thompson
Attorney, Agent, or Firm—Dority & Manning, P.A.

[57] **CLAIM**

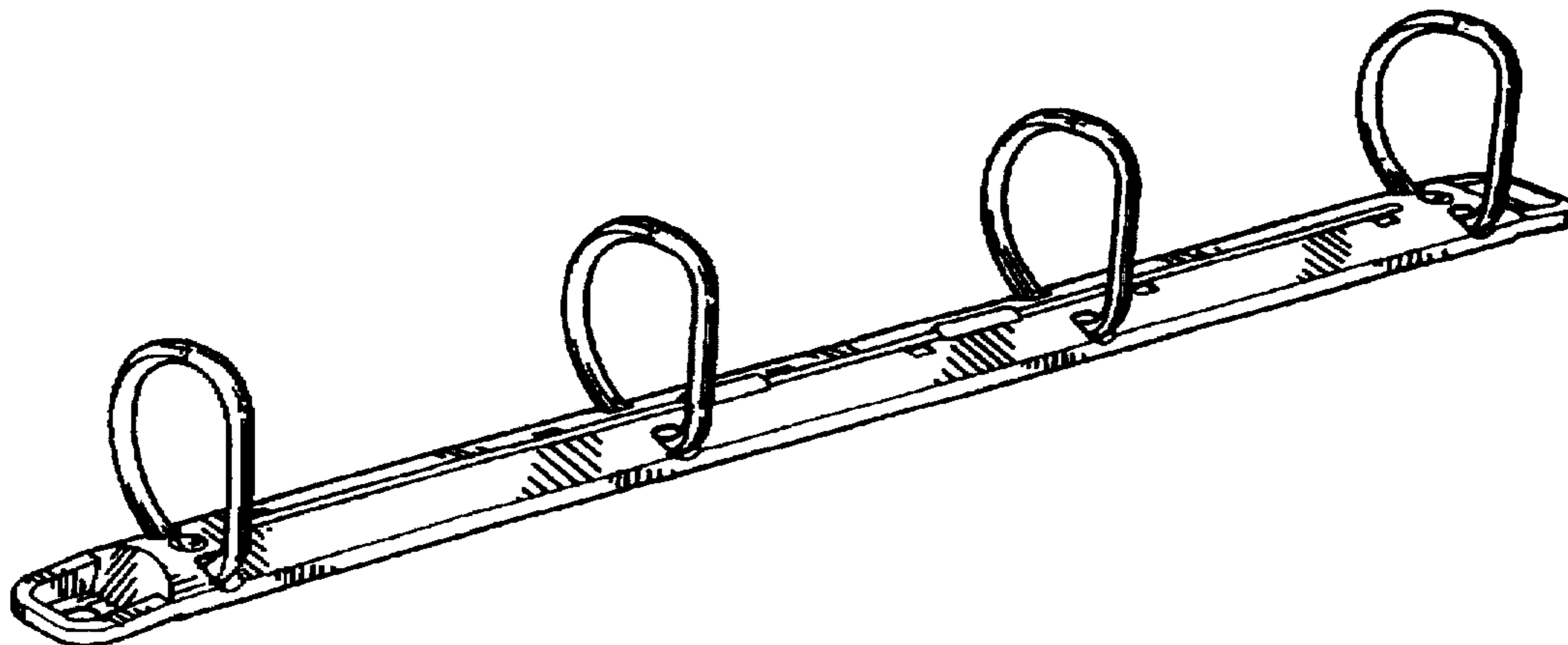
The ornamental design of a ring binder, as shown and described.

DESCRIPTION

FIG. 1 is a perspective view of a ring binder showing my new design;
FIG. 2 is a perspective view with the rings in an open position;
FIG. 3 is a side elevational view of FIG. 1;
FIG. 4 is a top plan view of FIG. 1;
FIG. 5 is an end elevational view of FIG. 1;
FIG. 6 is a side elevational view of the side opposite that shown in FIG. 3;
FIG. 7 is a bottom plan view of FIG. 1; and
FIG. 8 is an end elevational view of the end opposite that shown in FIG. 5.

1 Claim, 3 Drawing Sheets

[56] **References Cited**
U.S. PATENT DOCUMENTS
D. 273,796 5/1984 Milden D19/27
D. 325,928 5/1992 Bourgeois D19/32 X



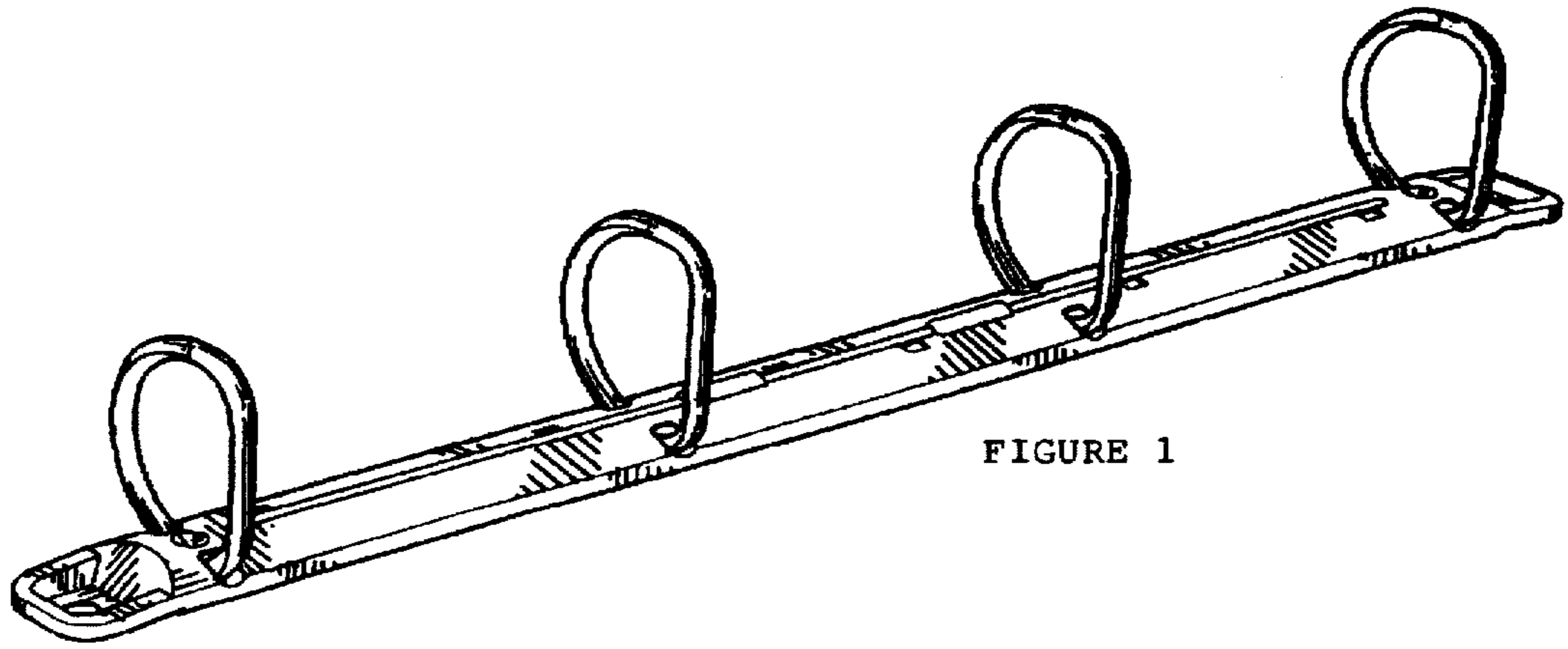


FIGURE 1

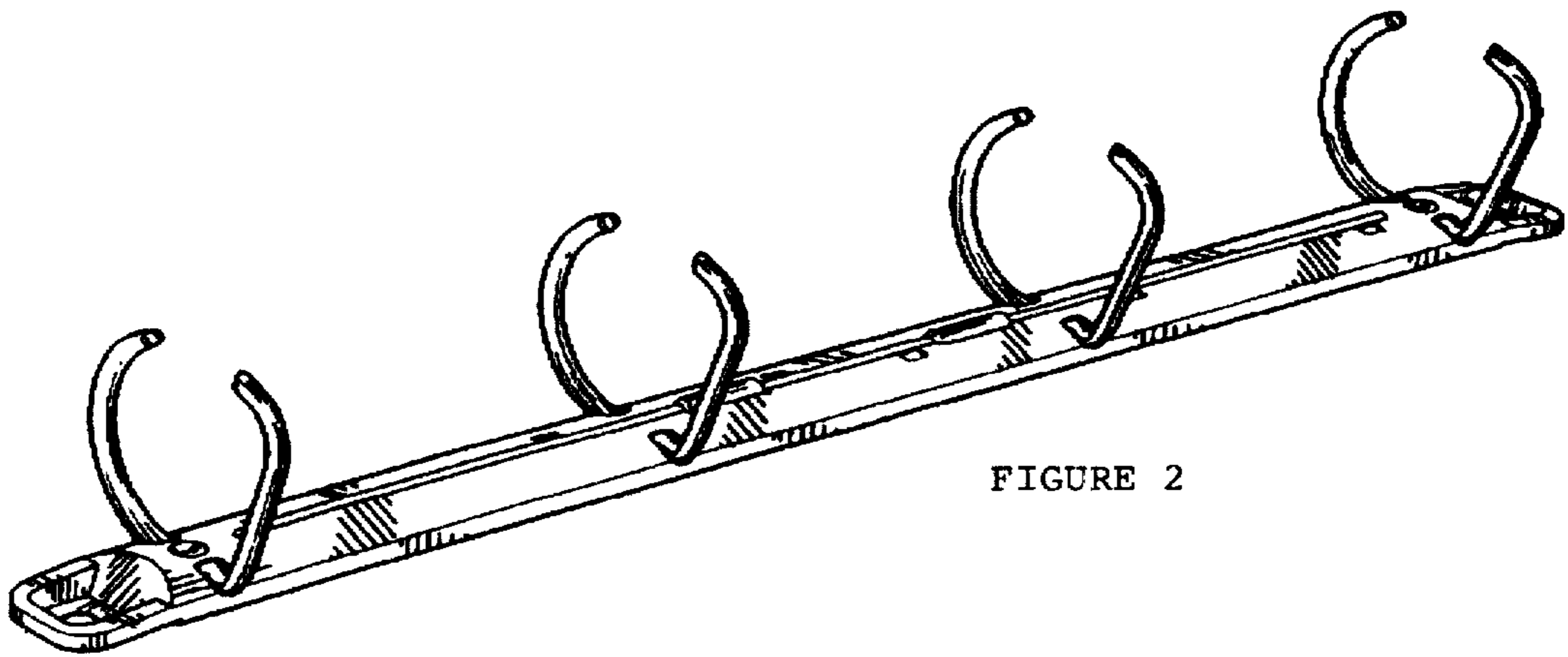


FIGURE 2

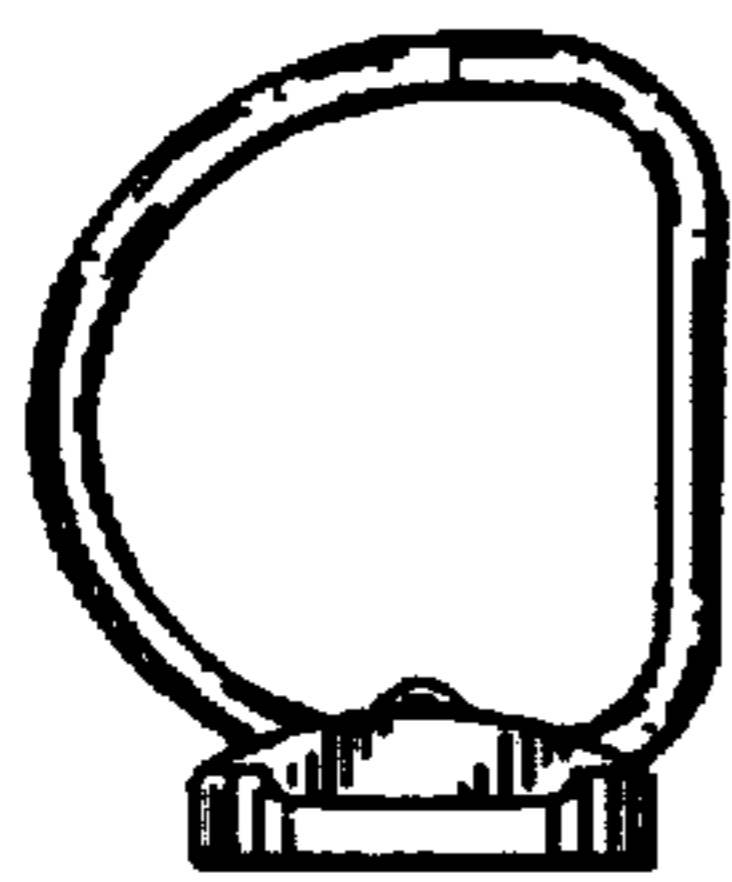


FIGURE 5

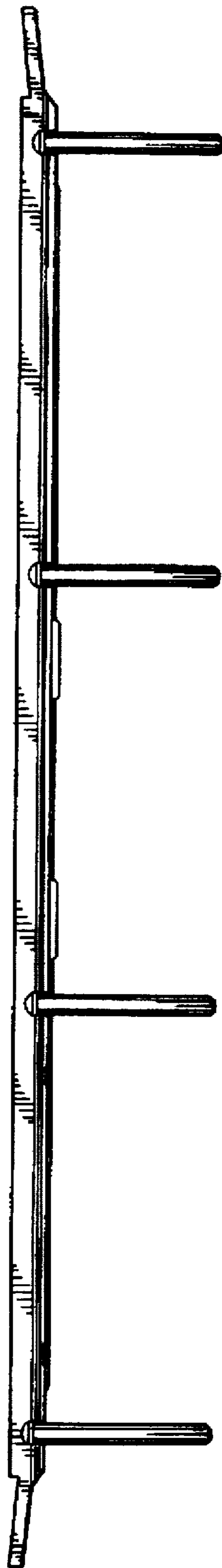


FIGURE 3

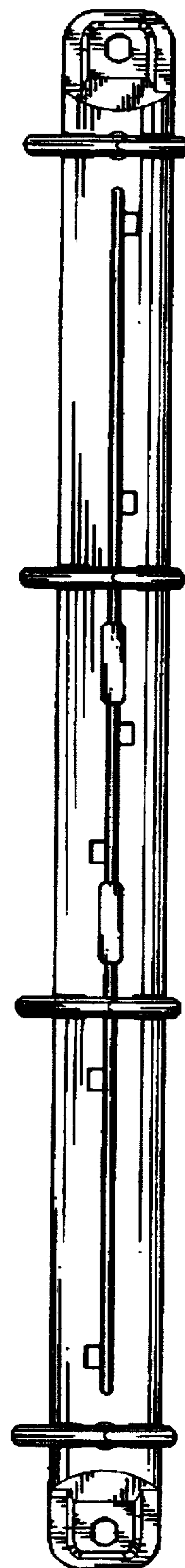


FIGURE 4

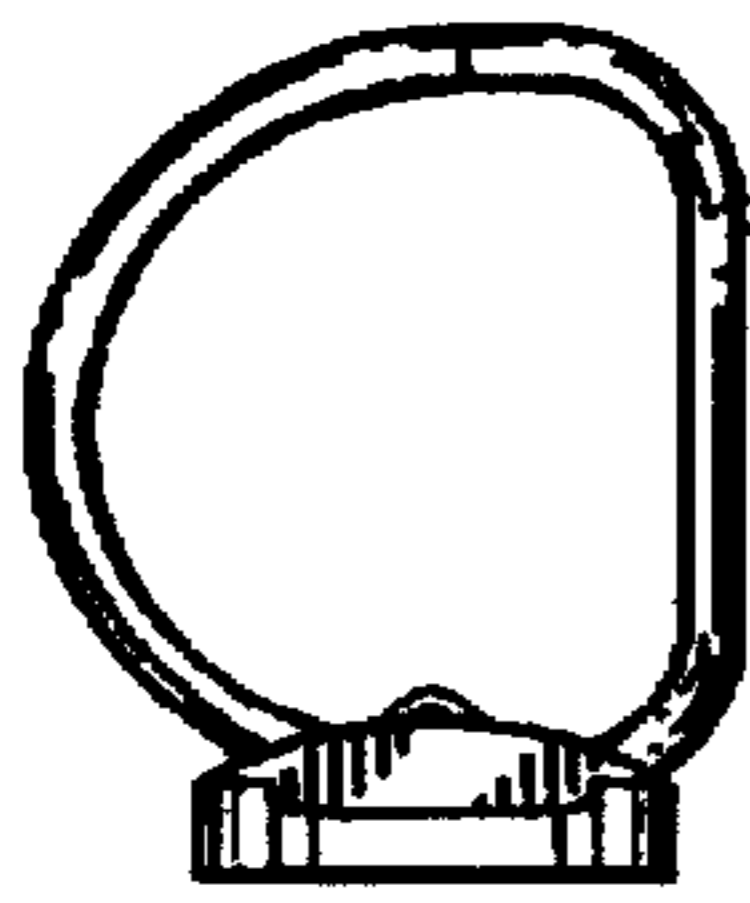


FIGURE 8



FIGURE 6

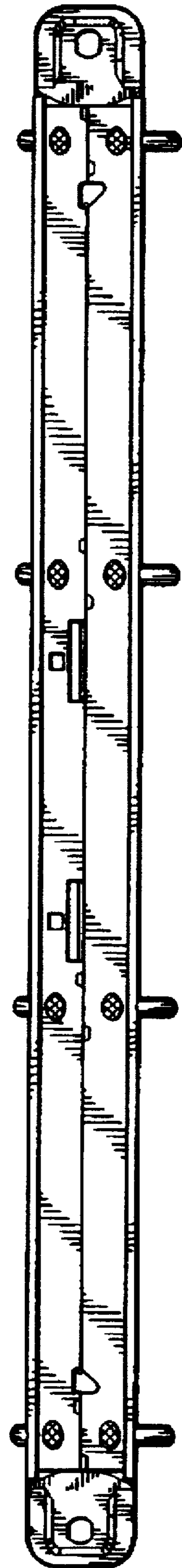


FIGURE 7