



US00D392994S

# United States Patent [19]

Takeuchi et al.

[11] Patent Number: **Des. 392,994**

[45] Date of Patent: **\*\*Mar. 31, 1998**

## [54] BASE FOR ELECTRONIC PRINTER

[75] Inventors: **Masakazu Takeuchi; Shun Mizutani,**  
both of Tokyo; **Kenji Umehara,**  
Yokohama, all of Japan

[73] Assignee: **Gradco (Japan) Ltd.,** Tokyo, Japan

[\*\*] Term: **14 Years**

[21] Appl. No.: **58,400**

[22] Filed: **Aug. 14, 1996**

[51] LOC (6) Cl. .... **18-02**

[52] U.S. Cl. .... **D18/56**

[58] Field of Search ..... D18/50, 53-55;  
400/691-694, 613, 613.1-613.4, 690.1-690.4;  
D14/107, 114

## [56] References Cited

### U.S. PATENT DOCUMENTS

D. 357,471	4/1995	Reph	.....	D14/114
D. 362,243	9/1995	Spechts et al.	.....	D14/114
D. 362,663	9/1995	Nguyen	.....	D14/107
D. 366,034	1/1996	Youens et al.	.....	D14/107
D. 366,469	1/1996	Youens	.....	D14/107
D. 366,659	1/1996	Ross et al.	.....	D14/114

## OTHER PUBLICATIONS

Sanyo Electric Co. Brochure; Color Postscript Print-Out System; Oct. 21, 1991.

Epson EHT-30 Handheld Computer Brochure; Cover pg.; Oct. 1993.

Norand Data Systems Brochure; 80-Column Modular Printer Cover Photograph; 1988.

*Primary Examiner*—Cathy Anne MacCormac  
*Attorney, Agent, or Firm*—Newton H. Lee, Jr.

## [57] CLAIM

The ornamental design for a base for electronic printer, as shown.

## DESCRIPTION

FIG. 1 is a perspective view taken from the top front and right side of a base for electronic printer showing our new design;

FIG. 2 is a front elevation thereof;

FIG. 3 is a top plan view thereof;

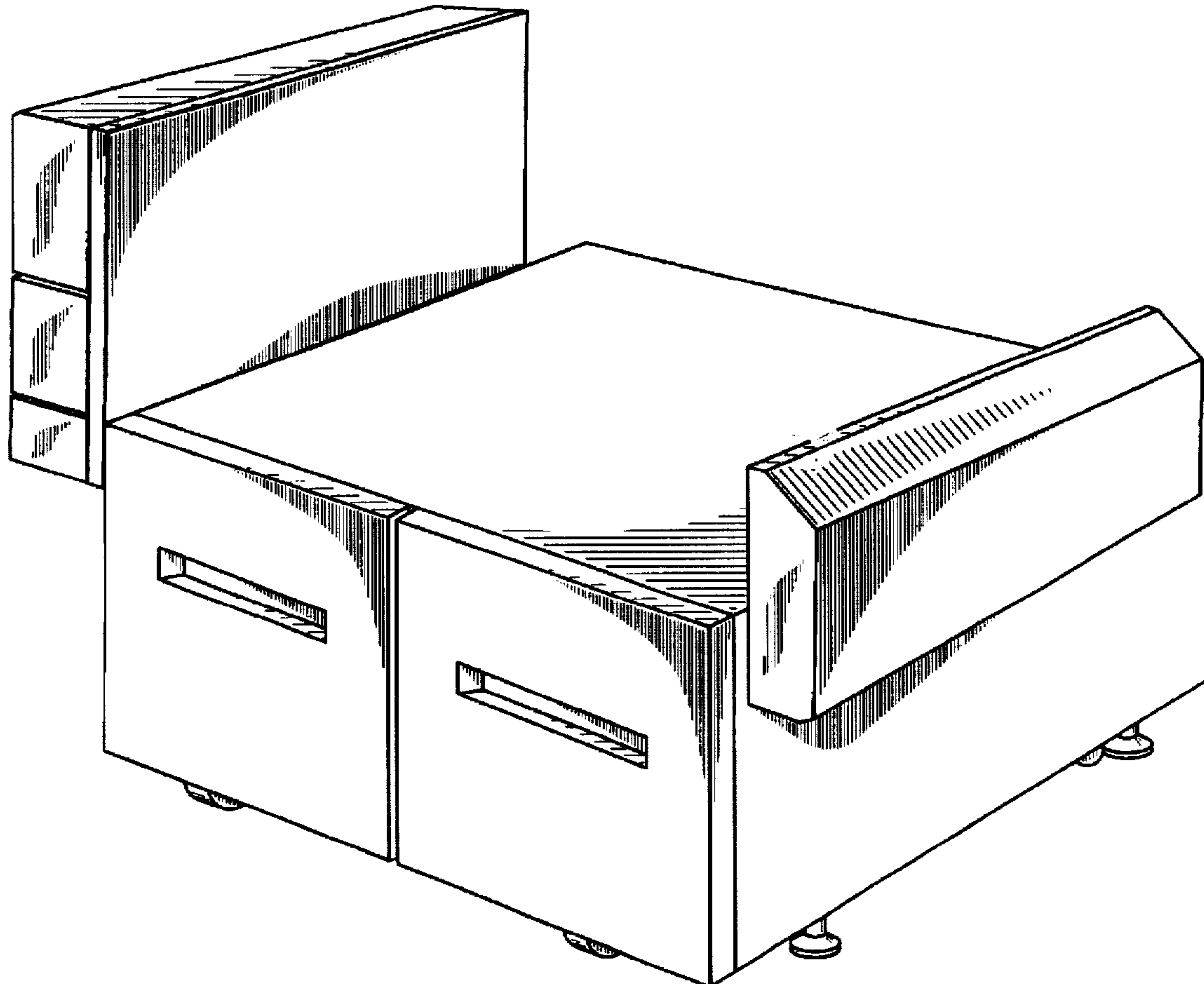
FIG. 4 is a rear elevation thereof;

FIG. 5 is a bottom plan view thereof;

FIG. 6 is a left side elevation thereof; and,

FIG. 7 is a right side elevation thereof.

**1 Claim, 4 Drawing Sheets**



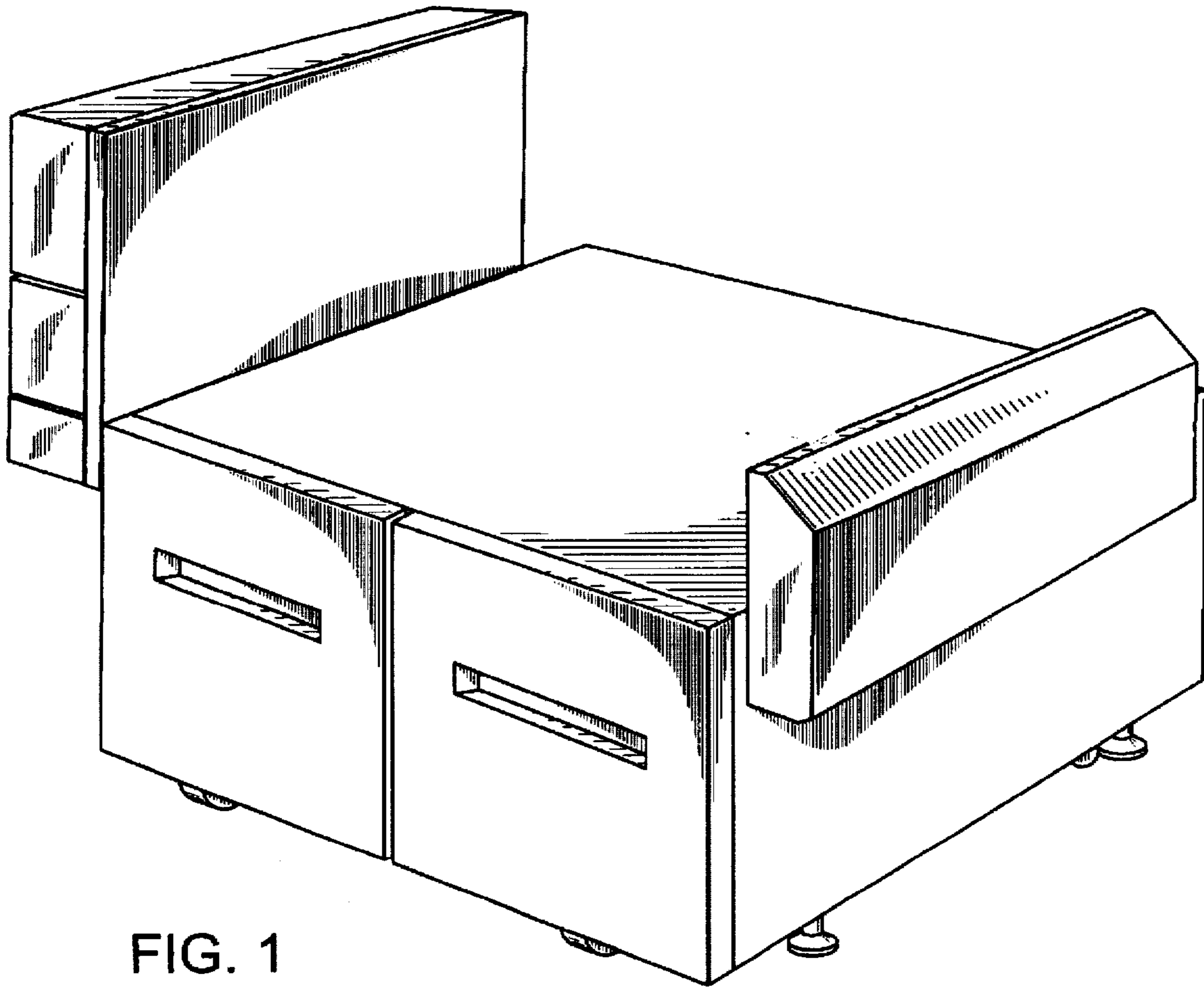


FIG. 1

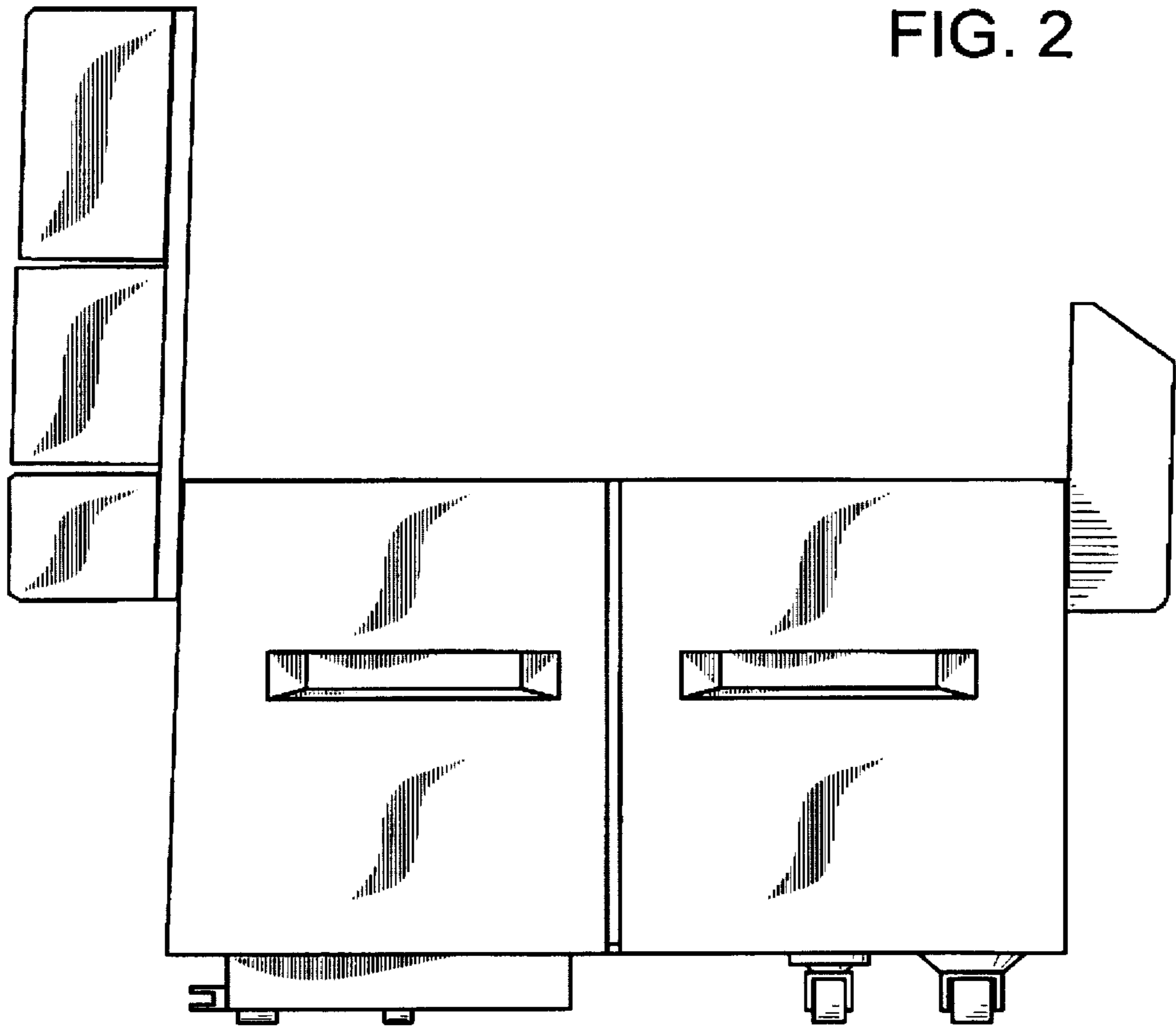


FIG. 2

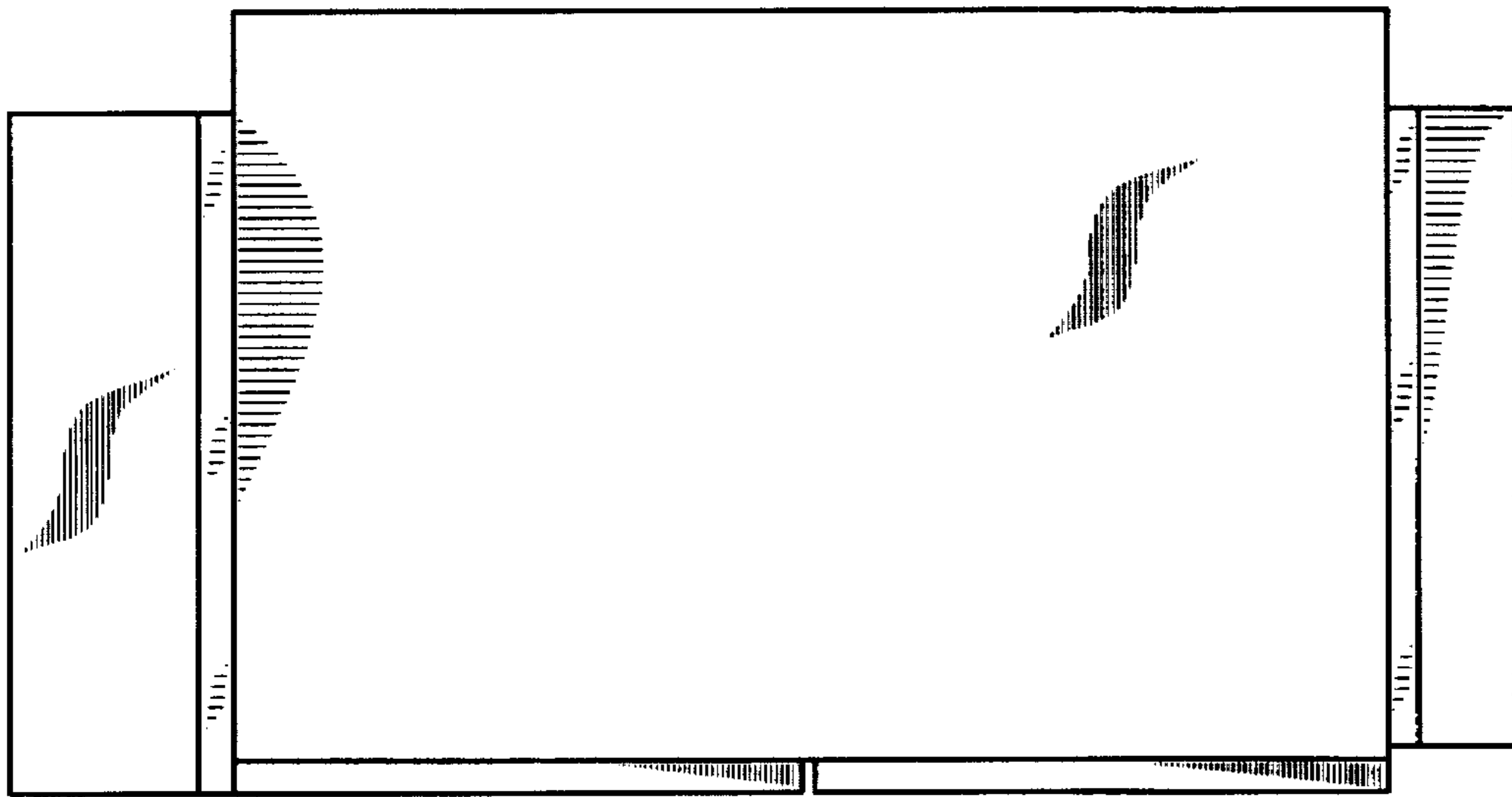


FIG. 3

FIG. 4

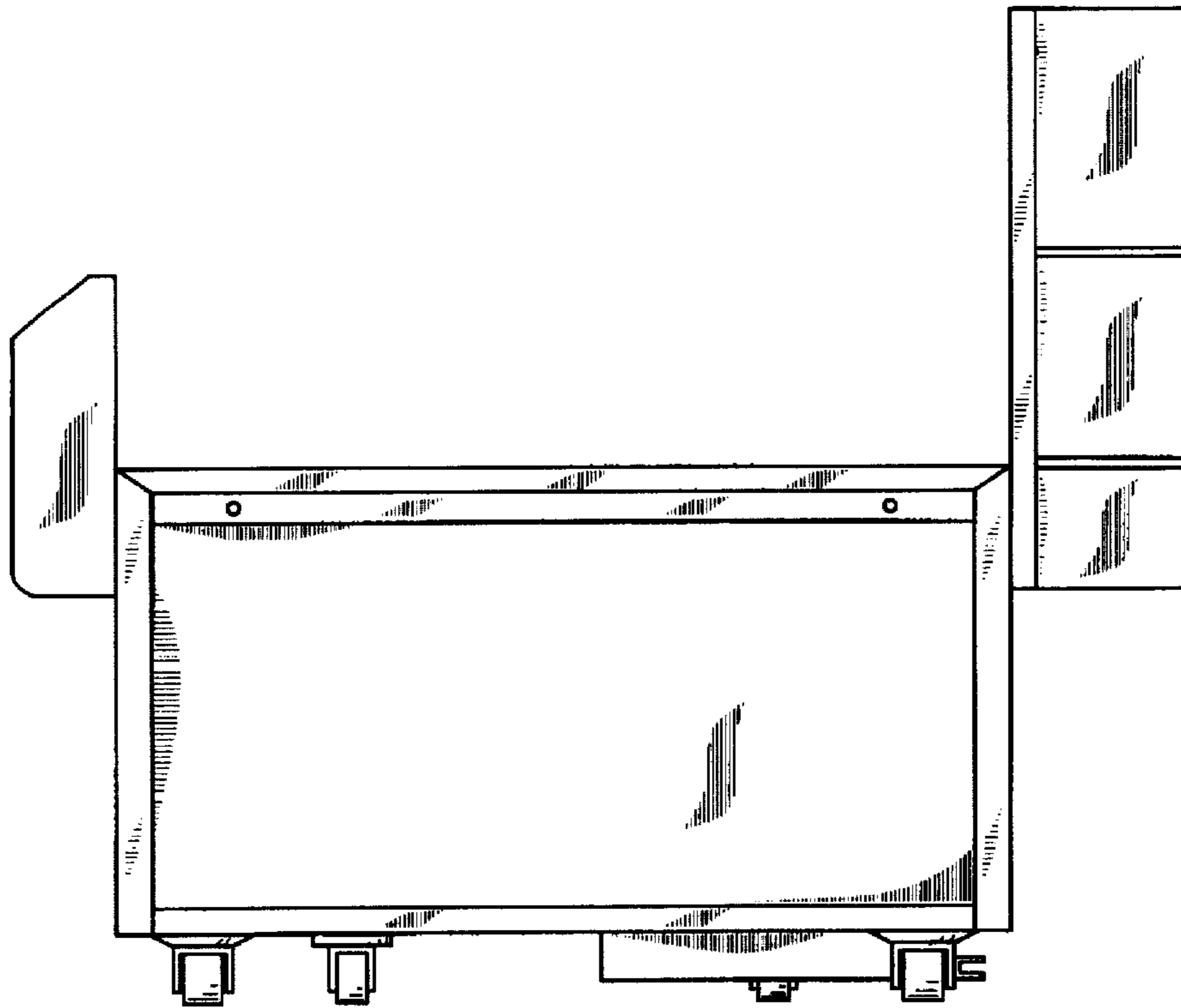
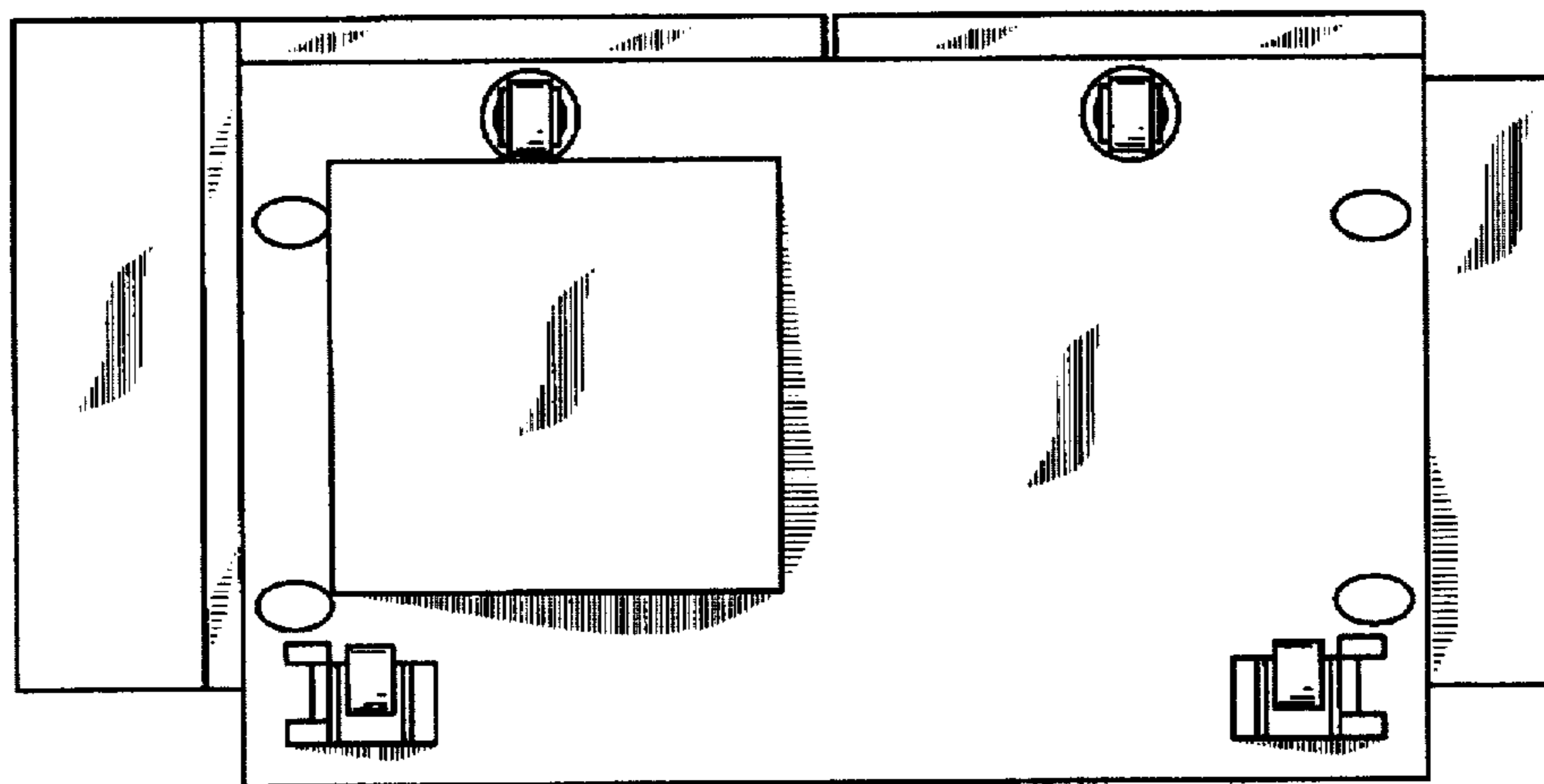


FIG. 5



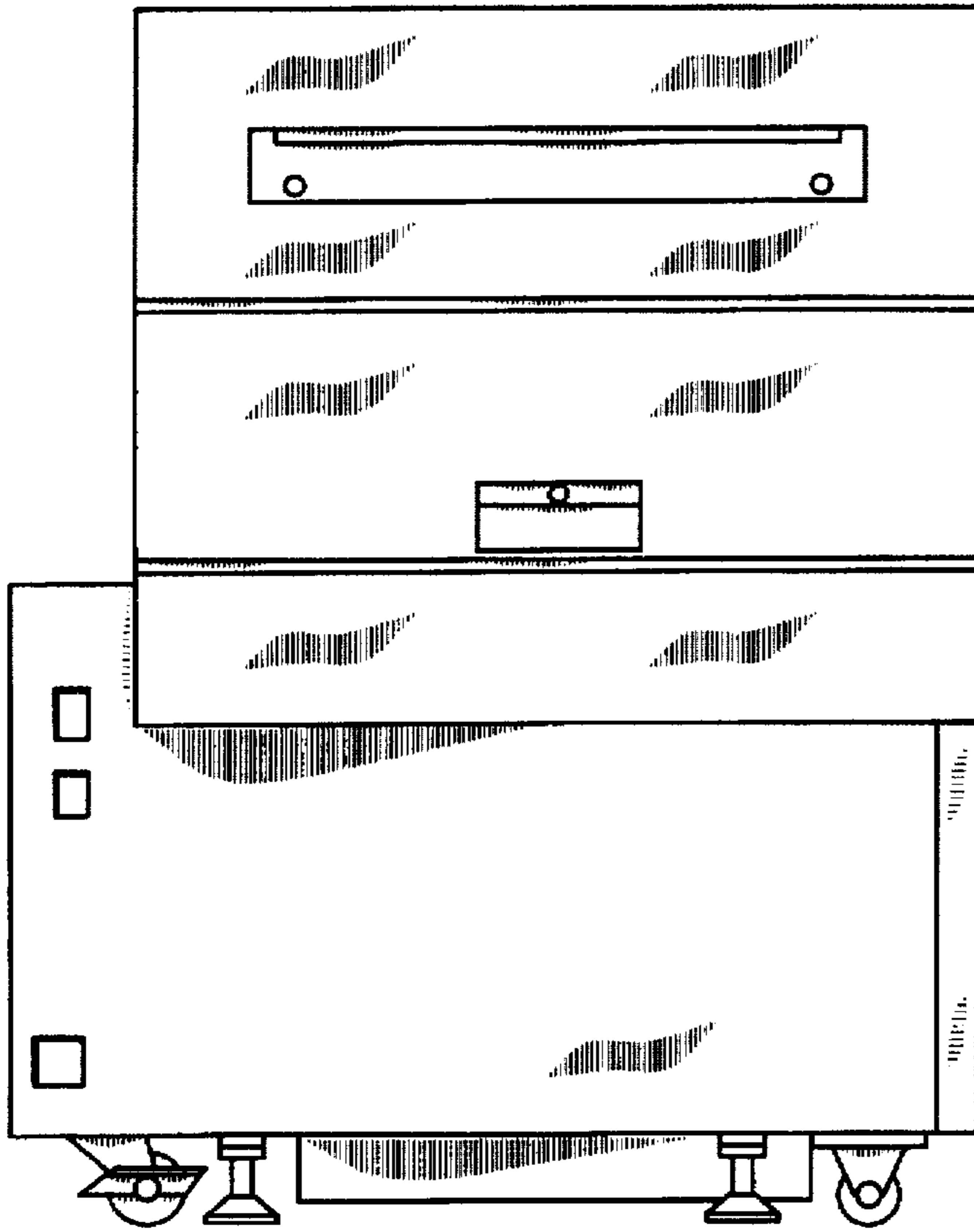


FIG. 6

FIG. 7

