

US00D392989S

United States Patent [19]

Sevra, Jr.

[11] Patent Number: Des. 392,989

[45] Date of Patent: **Mar. 31, 1998

[54] SHOULDER STOCK

[76] Inventor: George J. Sevra, Jr., 6111 Marblehead Dr., Dallas, Tex. 75232

[**] Term: 14 Years

[21] Appl. No.: 53,747

[22] Filed: Apr. 29, 1996

[51] LOC (6) Cl. 16-05

[52] U.S. Cl. D16/243

[58] Field of Search D16/202, 205, D16/206, 242, 243, 244, 245; 224/265, 270, 908; 352/243; 396/419, 420, 422, 425

[56] References Cited

U.S. PATENT DOCUMENTS

D. 211,290	6/1968	Hardy	D16/243
D. 324,874	3/1992	Kardach	D16/243
5,424,791	6/1995	Campbell	396/420
5,612,756	3/1997	Kardach	396/422

Primary Examiner—Philip S. Hyder
Assistant Examiner—Adir Aronovich
Attorney, Agent, or Firm—Goldstein & Associates

[57] CLAIM

The ornamental design for a shoulder stock, as show and described.

DESCRIPTION

FIG. 1 is a perspective view of a shoulder stock showing my new design in full lines with the broken line showing of environmental association matter being for illustrative purposes only and forming no part of the claimed invention; FIG. 2 is a right side elevational view of the shoulder stock thereof; FIG. 3 is a left side elevational view thereof; FIG. 4 is a front elevational view thereof; FIG. 5 is a rear elevational view thereof; FIG. 6 is a top plan view thereof; and, FIG. 7 is a bottom plan view thereof.

1 Claim, 4 Drawing Sheets

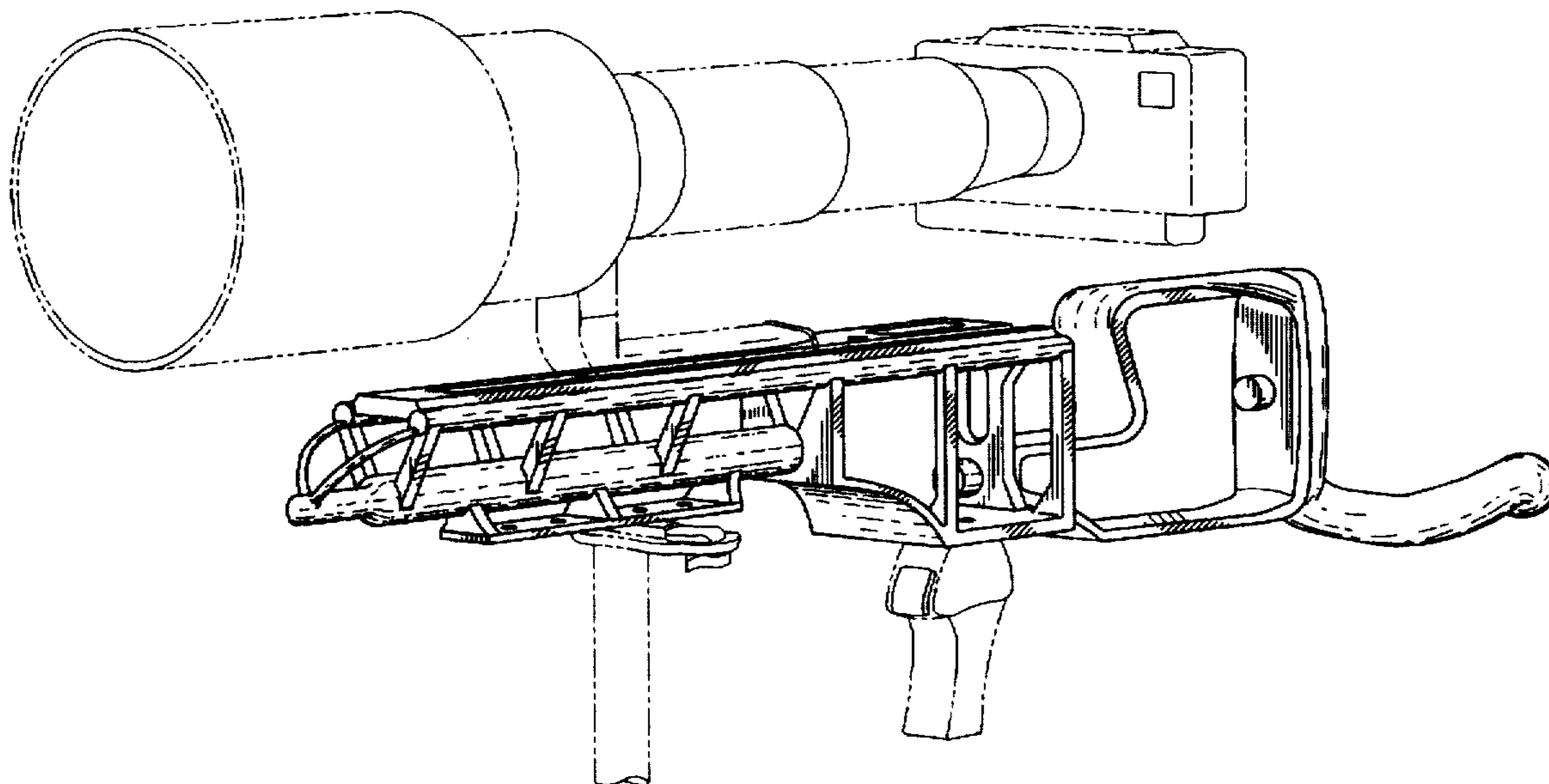
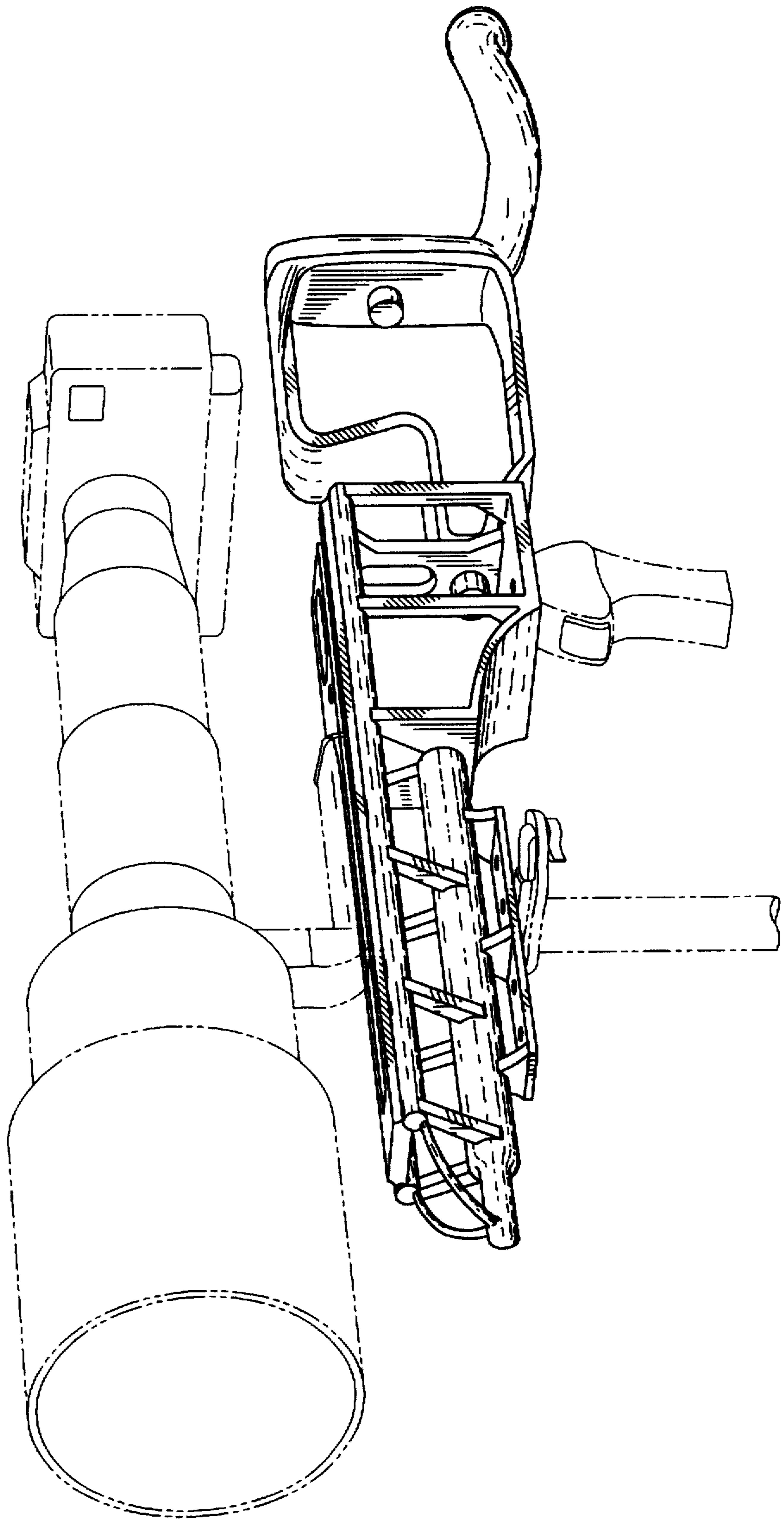


Fig. 1



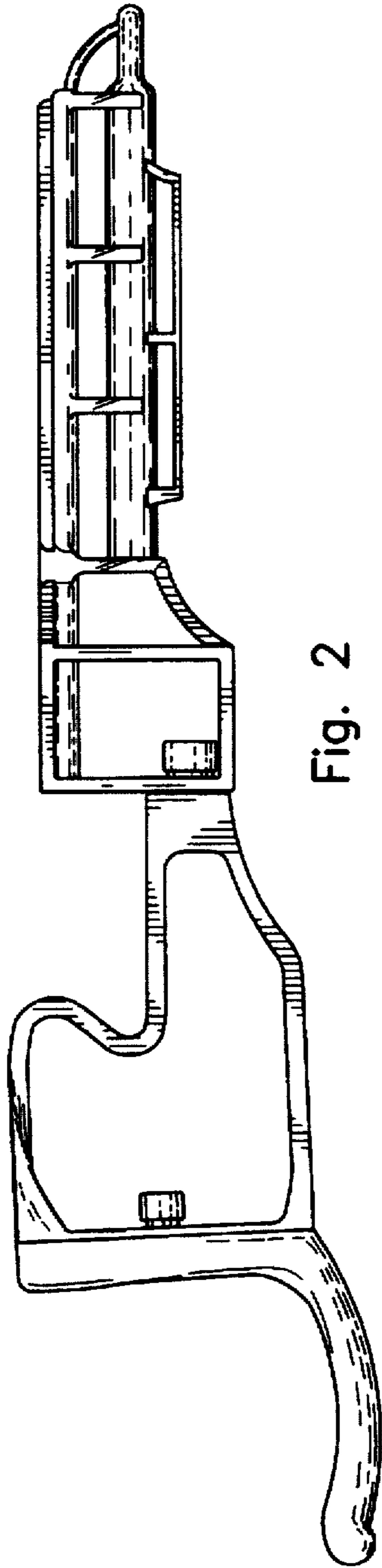


Fig. 2

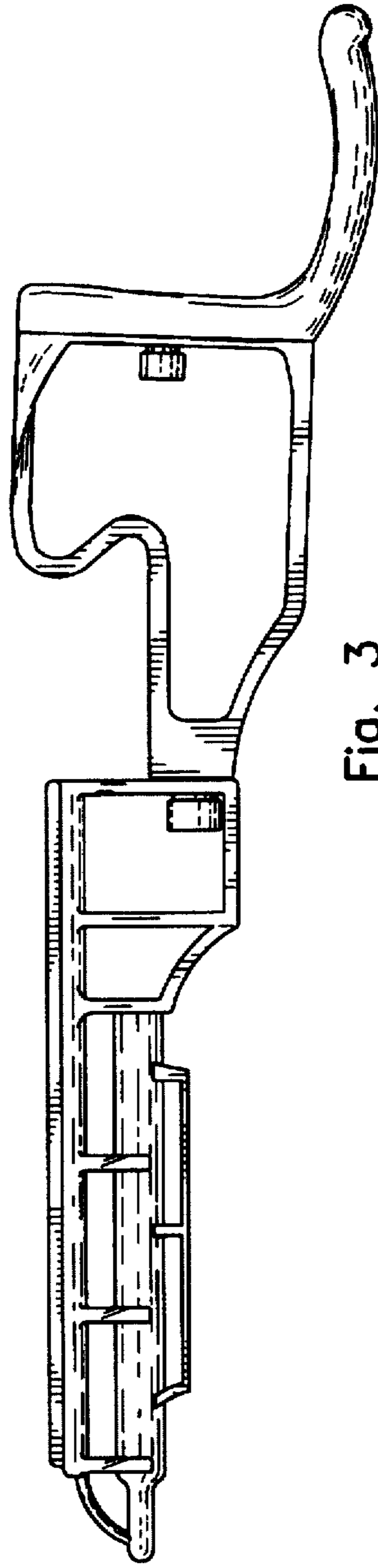


Fig. 3

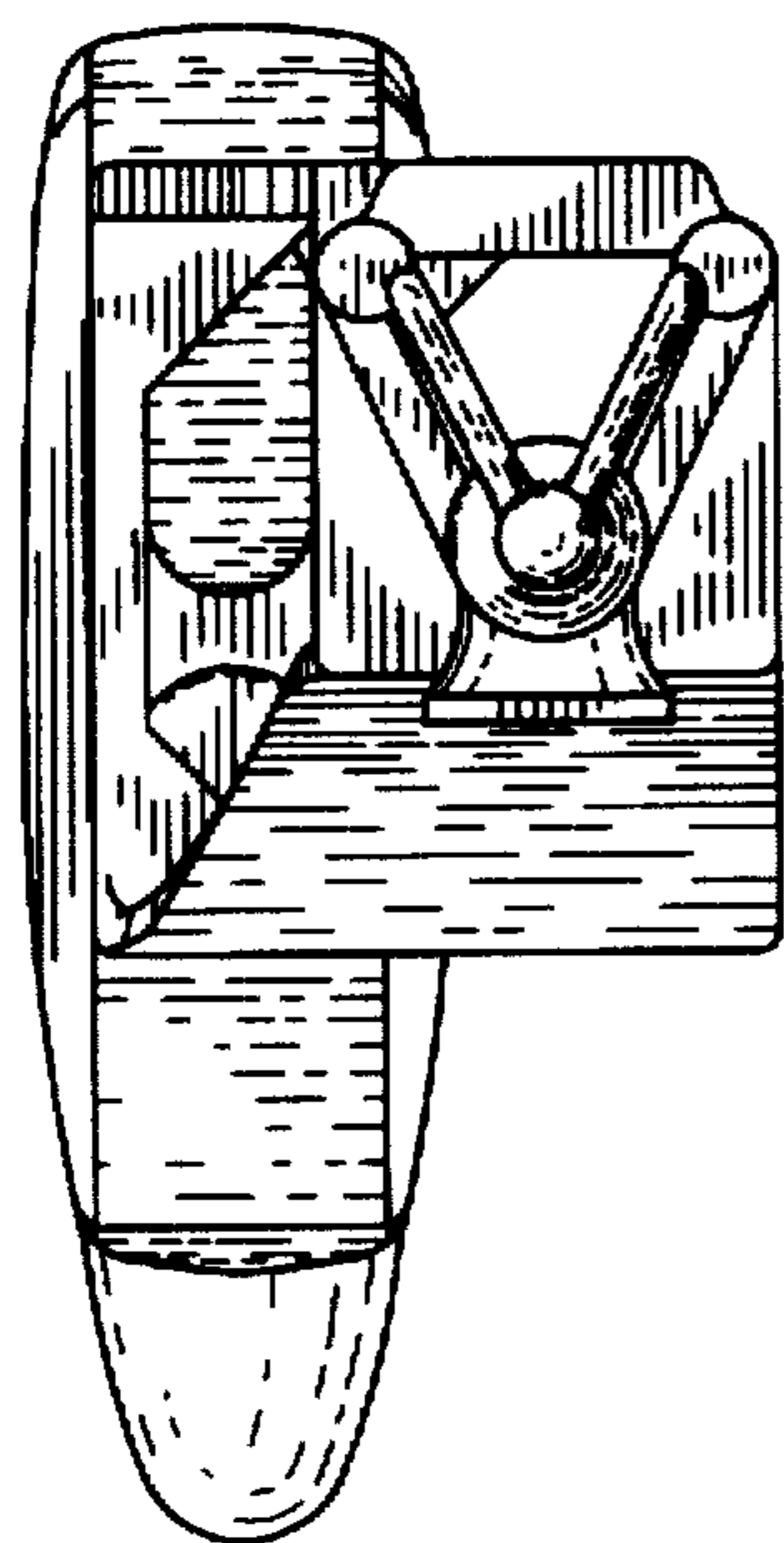


Fig. 4

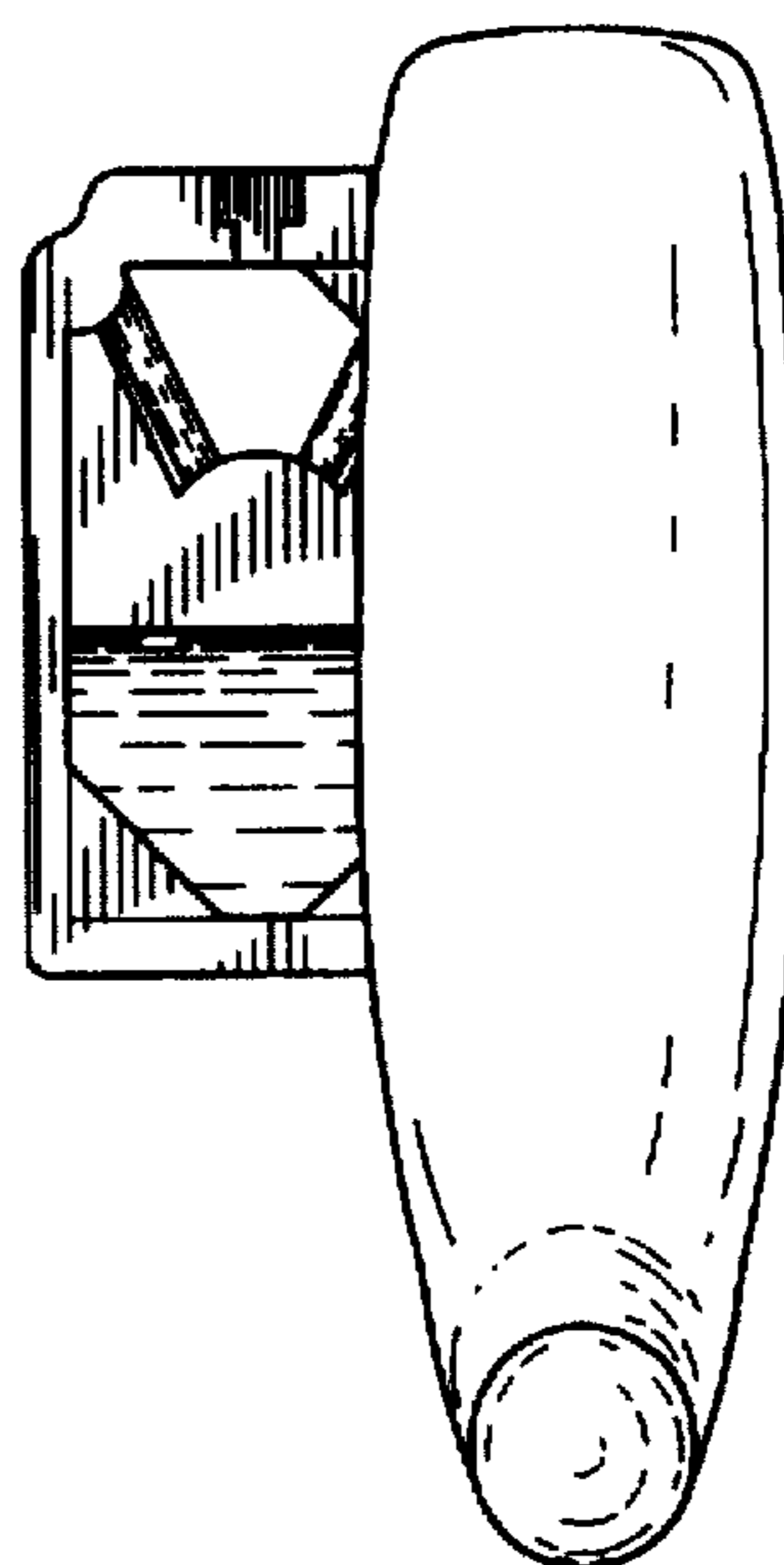


Fig. 5

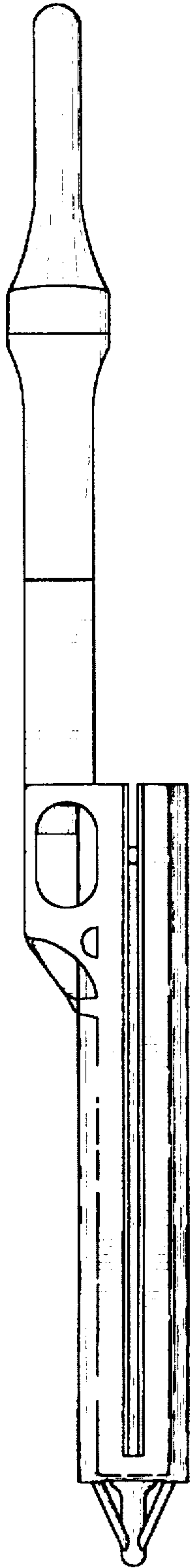


Fig. 6

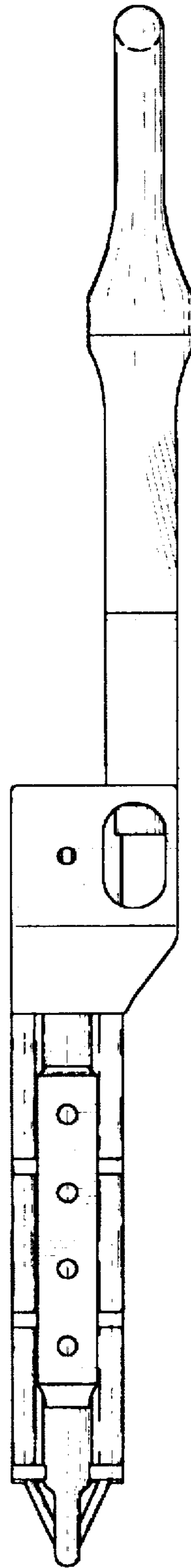


Fig. 7