



US00D392985S

United States Patent [19]
Williams

[11] **Patent Number: Des. 392,985**
[45] **Date of Patent: **Mar. 31, 1998**

[54] **TRUSS TABLE LOCATOR STOP**
[75] **Inventor: Thomas H. Williams, Edenton, N.C.**
[73] **Assignee: Tee-Lok Corporation, Edenton, N.C.**
[**] **Term: 14 Years**

4,998,336	3/1991	Papsdorf	29/432
5,085,414	2/1992	Weaver	269/37
5,092,028	3/1992	Harnden	29/709
5,211,108	5/1993	Gore et al.	100/48
5,385,339	1/1995	Williams	269/37
5,388,318	2/1995	Petta	29/407
5,468,334	11/1995	Searle	269/37 X

[21] **Appl. No.: 61,353**
[22] **Filed: Oct. 22, 1996**
[51] **LOC (6) CL 15-09**
[52] **U.S. Cl. D15/140; D8/71**
[58] **Field of Search D8/71; 269/37-45, 269/910; D15/140**

OTHER PUBLICATIONS

Fred George; EVS: Is it Feasible? U.S.-based Collins Commercial Avionics and France's Thompson-CSF explore an enhanced vision system; *Business & Commercial Aviation*; (Jun. 1995).

Primary Examiner—Antoine Duval Davis
Attorney, Agent, or Firm—Myers, Bigel, Sibley & Sajovec, LLP

[56] **References Cited**

U.S. PATENT DOCUMENTS

2,212,421	8/1940	Henderson	29/89
2,919,733	1/1960	Johnson	144/288
2,983,292	5/1961	McKinley	144/288
3,241,585	3/1966	Jureit	144/288
3,299,920	1/1967	Koenigshof	144/288
3,421,751	1/1969	Menge	269/305
3,667,379	6/1972	Templin	100/139
4,084,498	4/1978	Weaver	100/210
4,379,426	4/1983	Thompson et al.	100/100
4,453,705	6/1984	McDonald	269/37
4,514,901	5/1985	Kirby	29/822
4,567,821	2/1986	McDonald	100/100
4,627,564	12/1986	Bowser	227/152
4,669,184	6/1987	Castillo	29/798
4,819,475	4/1989	Irvello	72/447
4,943,038	7/1990	Harnden	269/37

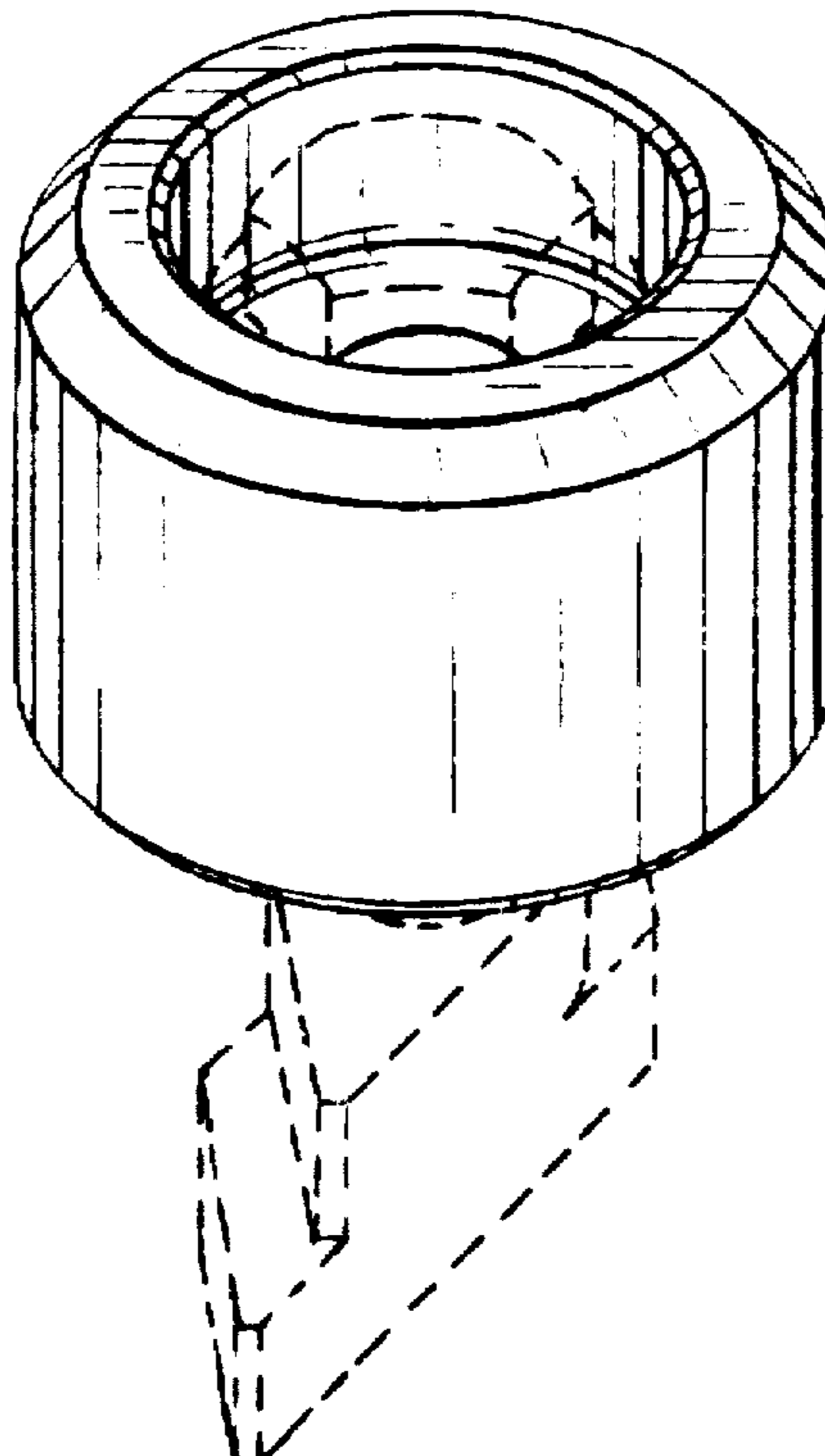
[57] **CLAIM**

The ornamental design for a truss table locator stop, as shown and described.

DESCRIPTION

FIG. 1 is a top, left, front perspective view of a truss table locator stop showing the design of the present invention, with a retaining nut shown in phantom line;
FIG. 2 is a top, left, front perspective view of a locator stop showing the design of the present invention without a retaining nut;
FIG. 3 is a top view thereof;
FIG. 4 is a front view thereof; and,
FIG. 5 is a bottom view thereof.

1 Claim, 1 Drawing Sheet



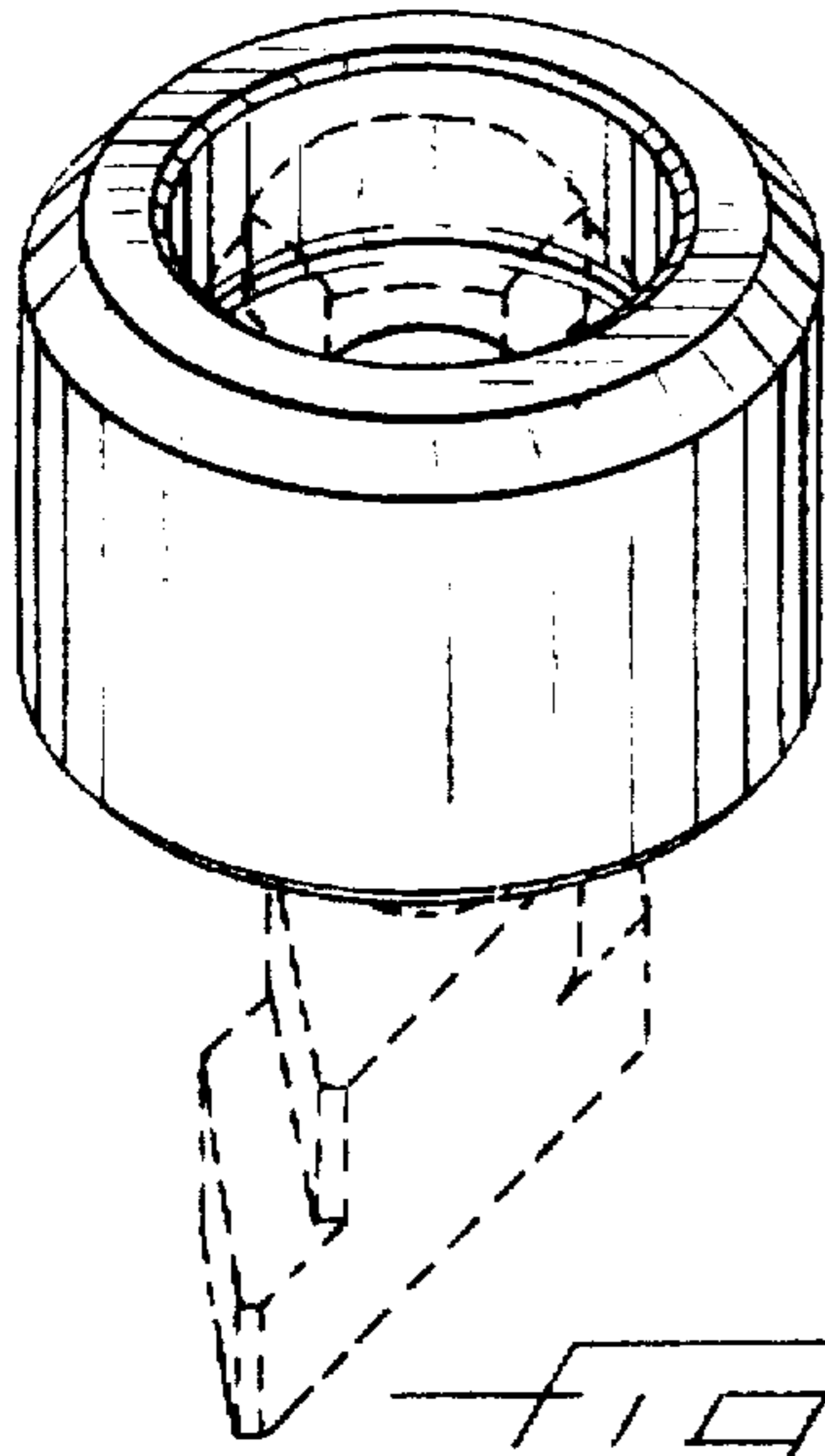


FIG. 1.

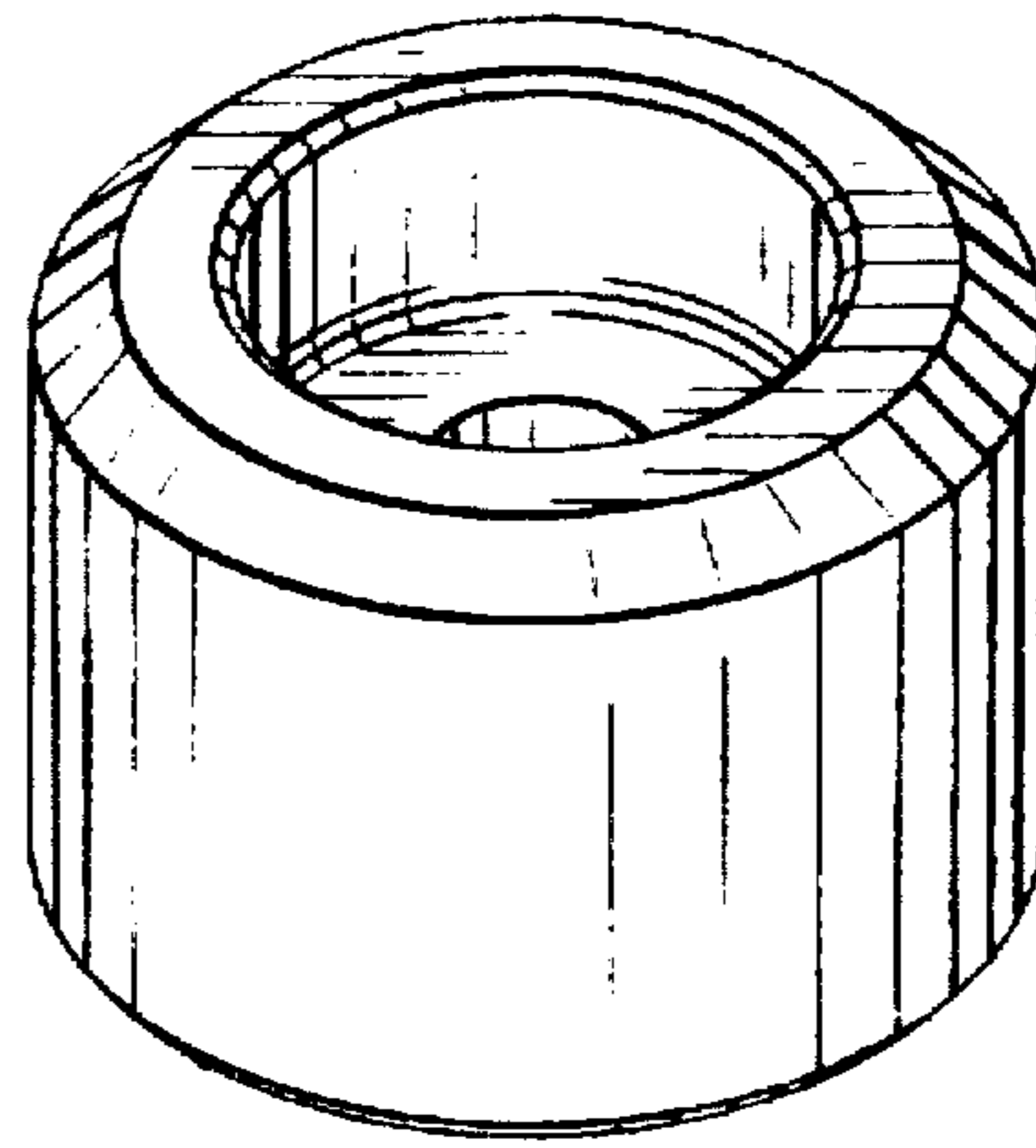


FIG. 2.

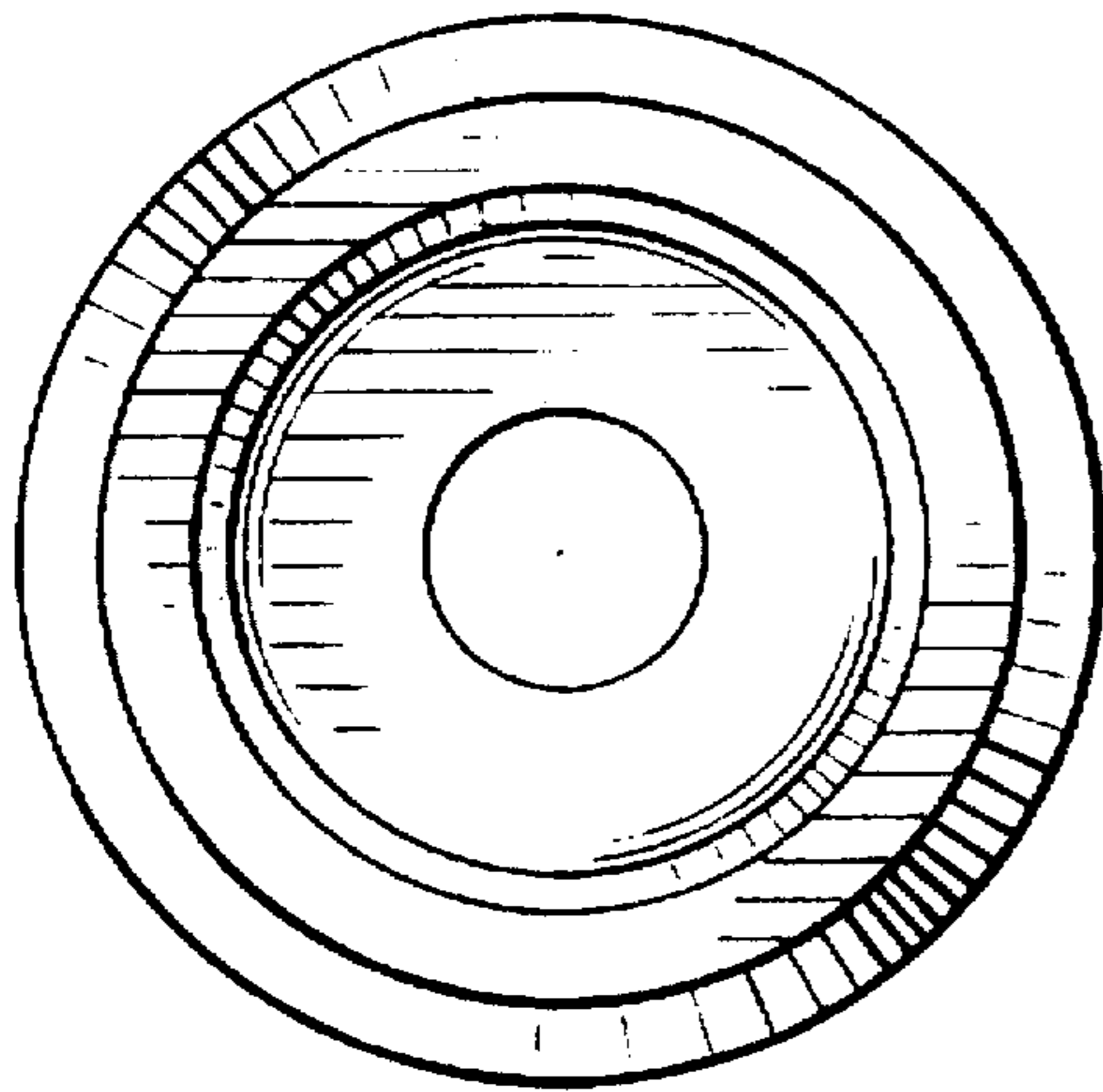


FIG. 3.

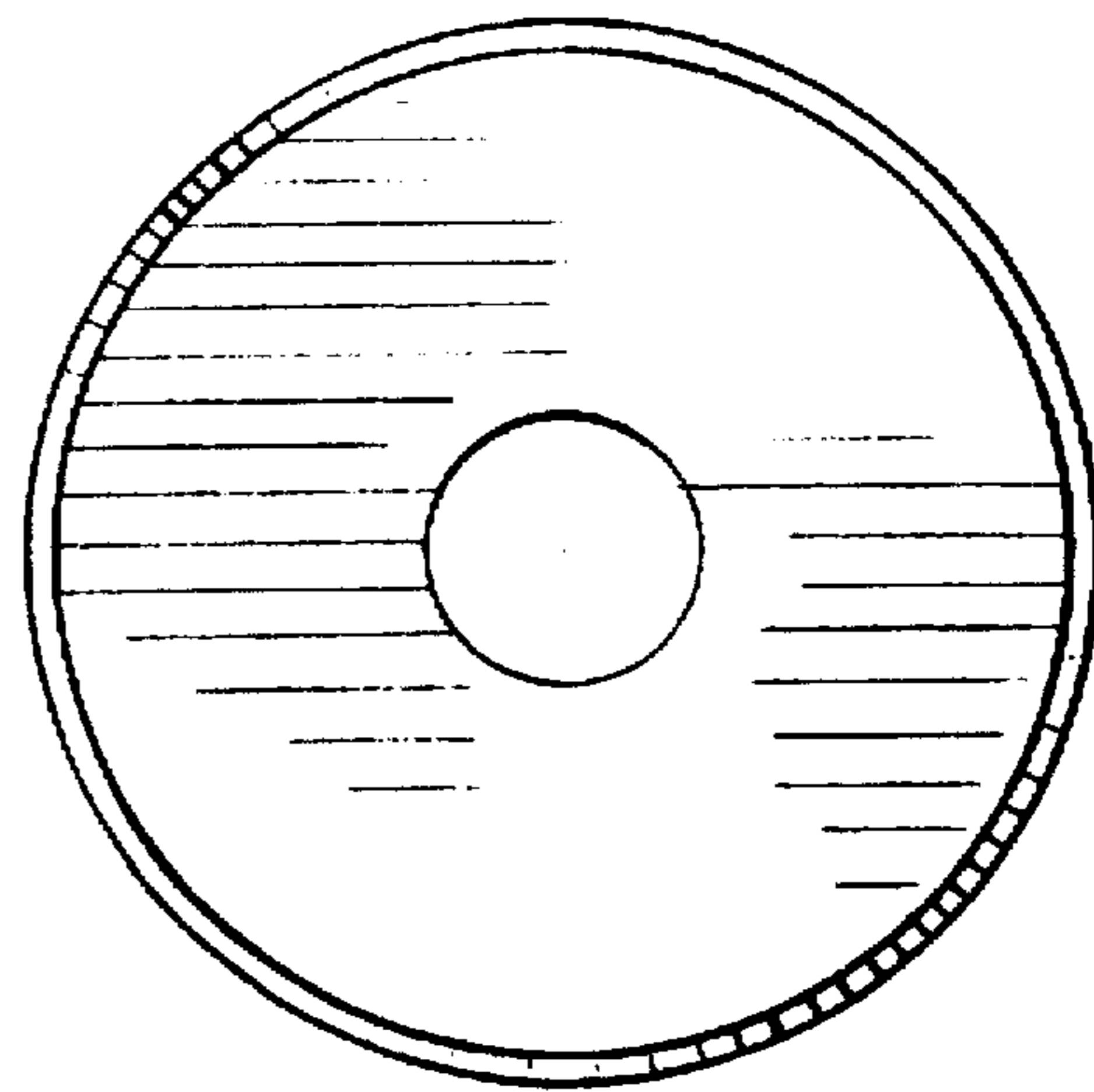


FIG. 5.

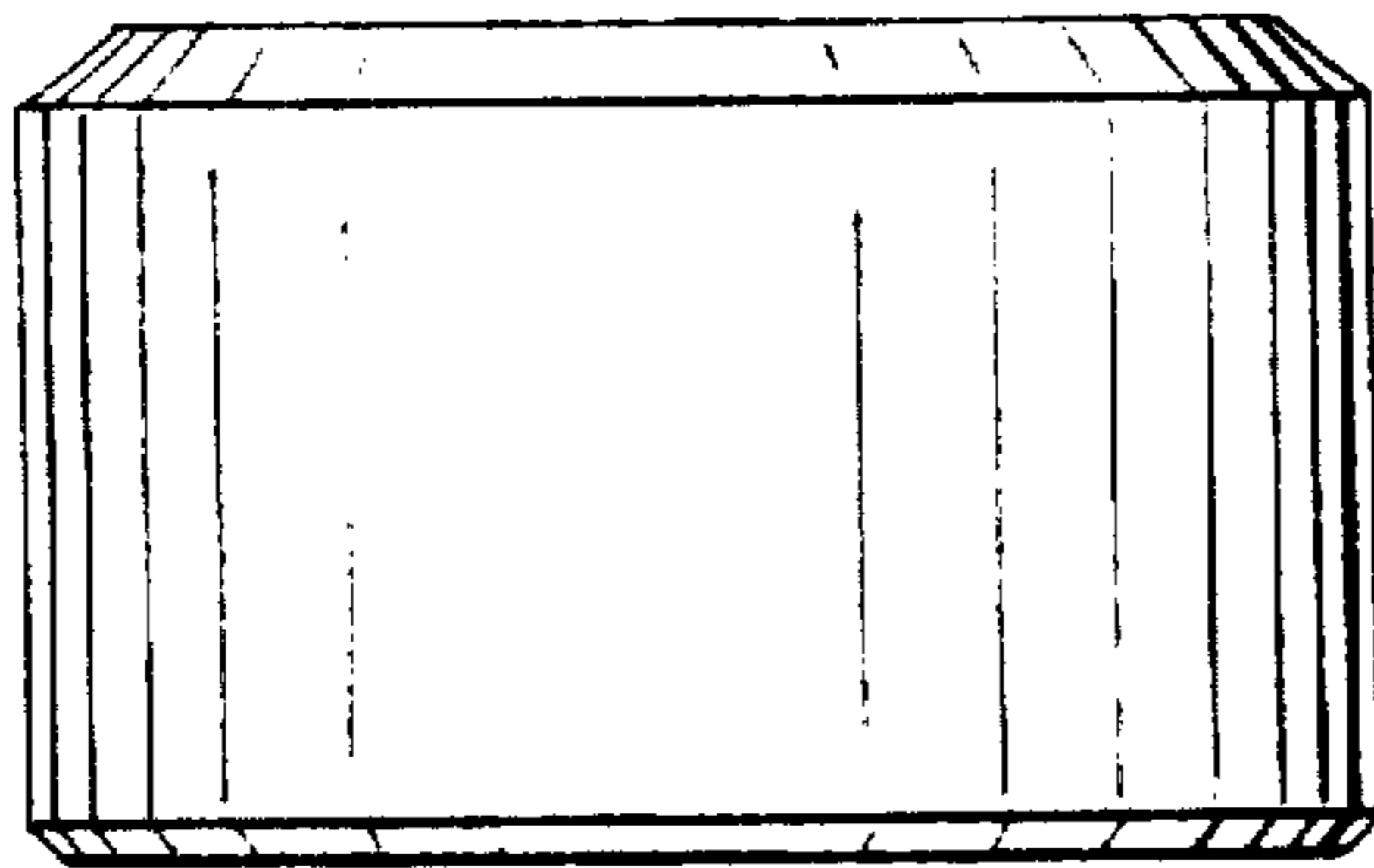


FIG. 4.