



US00D392984S

United States Patent [19]

Armstrong

[11] Patent Number: Des. 392,984

[45] Date of Patent: **Mar. 31, 1998

[54] SCROLL SAW

[75] Inventor: Mark C. Armstrong, Sidney, Australia

[73] Assignee: Sales & Marketing Services of Wisconsin, Oconomowoc, Wis.

[**] Term: 14 Years

[21] Appl. No.: 66,360

[22] Filed: Feb. 12, 1997

[51] LOC (6) Cl. 15-09

[52] U.S. Cl. D15/133

[58] Field of Search D15/133; 83/662, 83/782-786

[56] References Cited

U.S. PATENT DOCUMENTS

D. 350,968	9/1994	Chang	D15/133
5,176,059	1/1993	Anderson	83/783 X
5,363,733	11/1994	Baird et al.	83/786
5,540,130	7/1996	Huang et al.	83/781

OTHER PUBLICATIONS

Photocopy of an advertisement which appeared in the Jan. 6, 1997 Milwaukee Journal, Menards insert of a "Ryobi" scroll saw.

Primary Examiner—Antoine Duval Davis
Attorney, Agent, or Firm—Donald J. Ersler

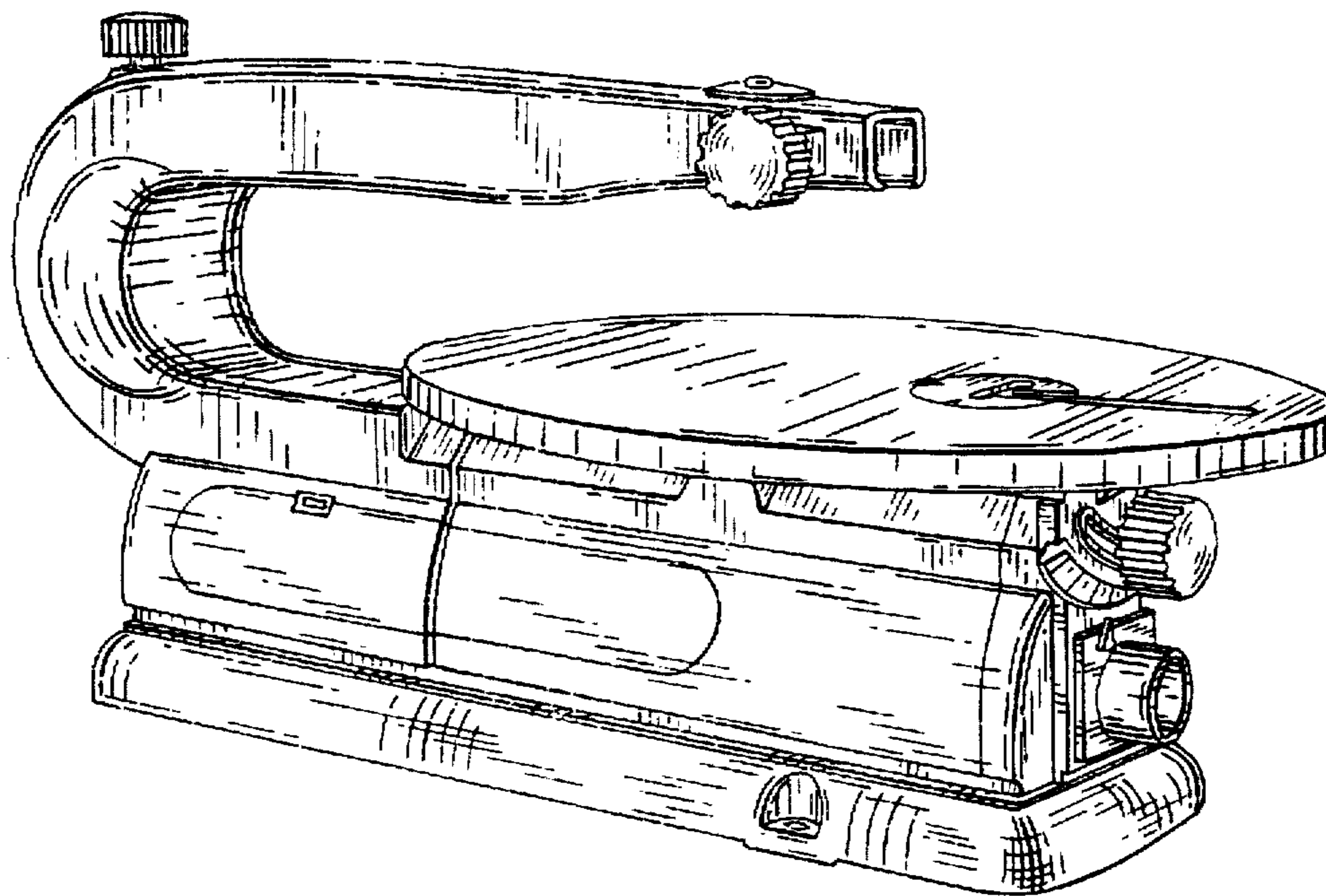
[57] CLAIM

The ornamental design for a scroll saw, as shown and described.

DESCRIPTION

FIG. 1 is a perspective view of a scroll saw incorporating my new design;
FIG. 2 is a left side elevation view thereof;
FIG. 3 is a right side elevation view thereof;
FIG. 4 is a top plan view thereof;
FIG. 5 is a front elevation view thereof; and,
FIG. 6 is a rear elevation view thereof.

1 Claim, 5 Drawing Sheets



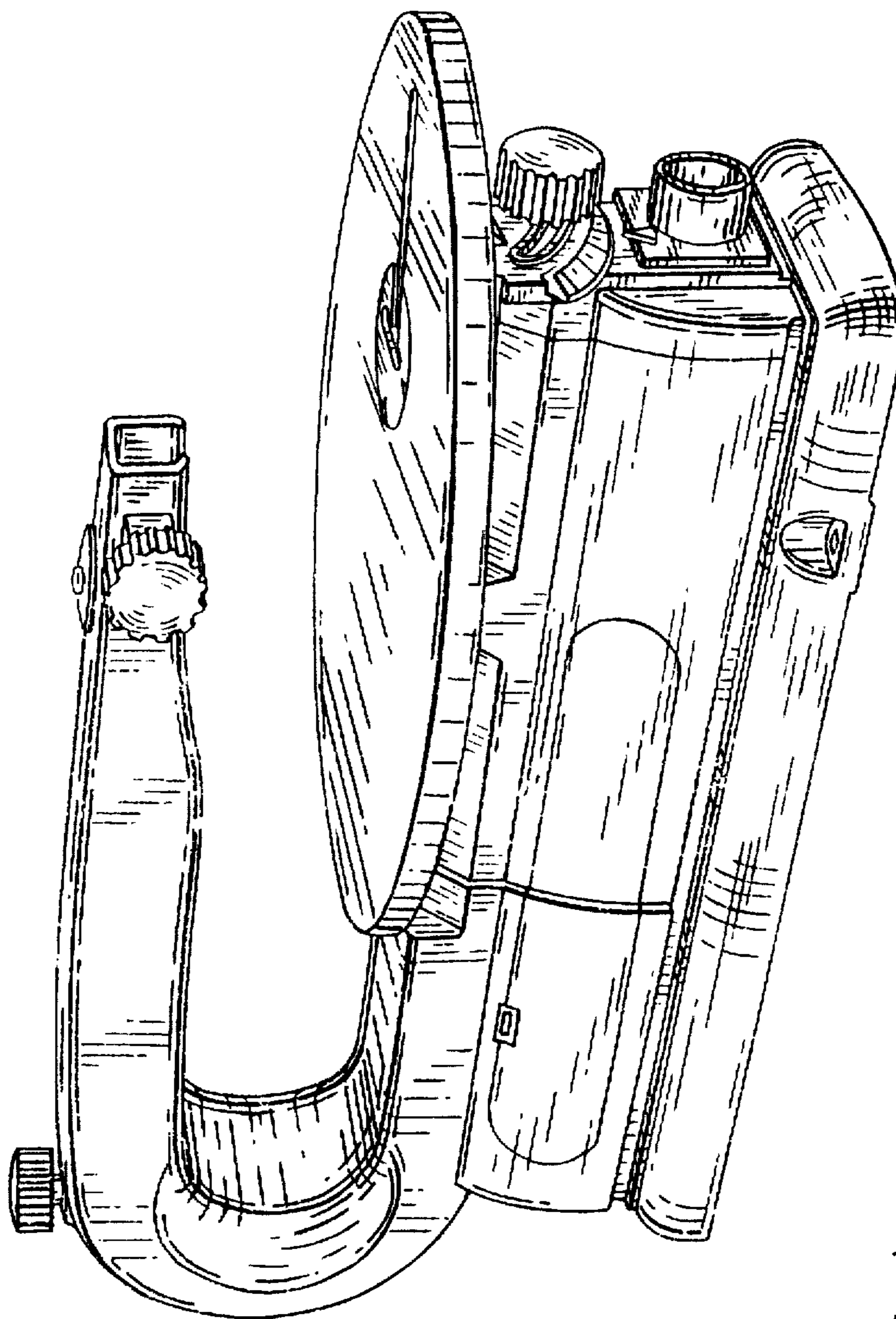


FIG. 1

FIG. 2

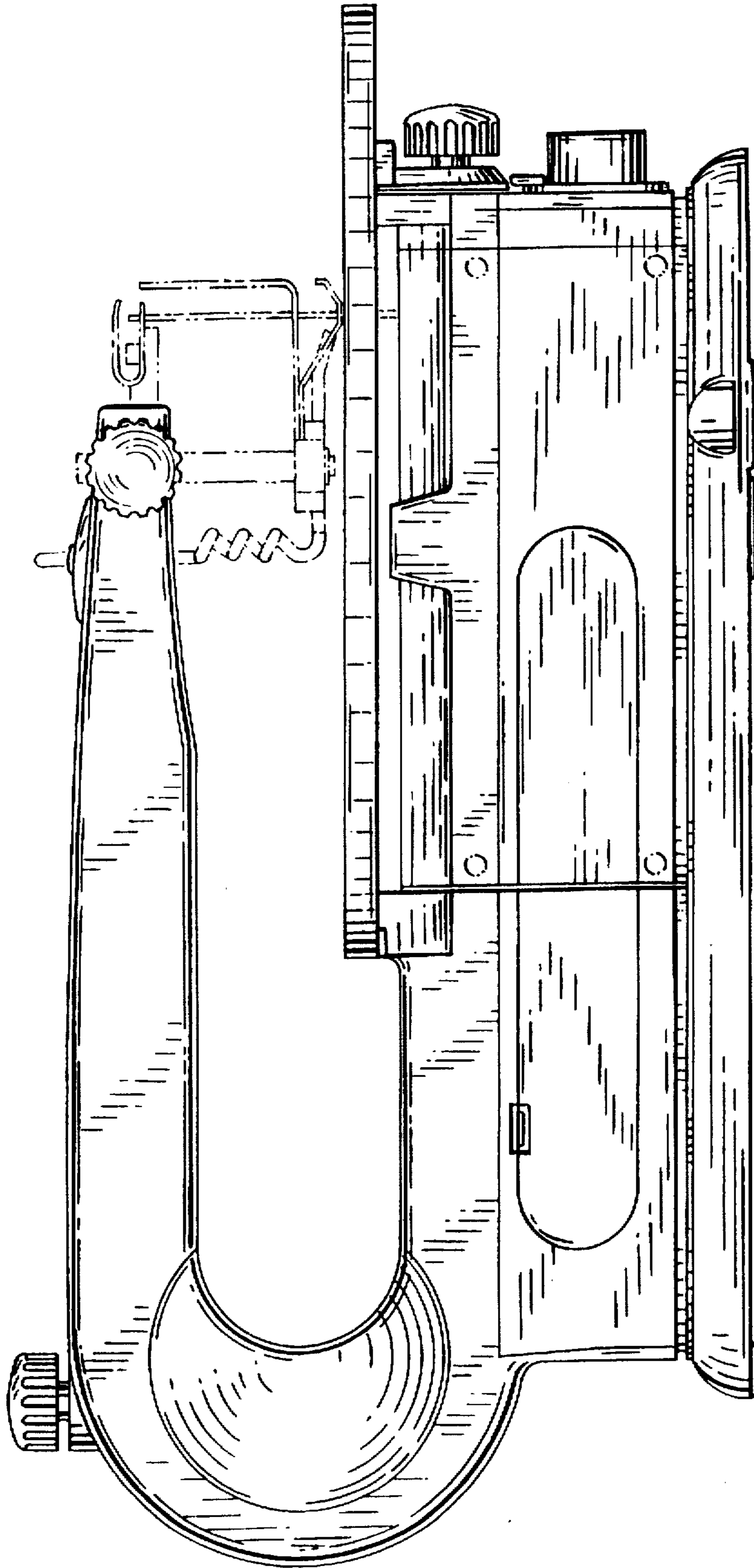


FIG. 3

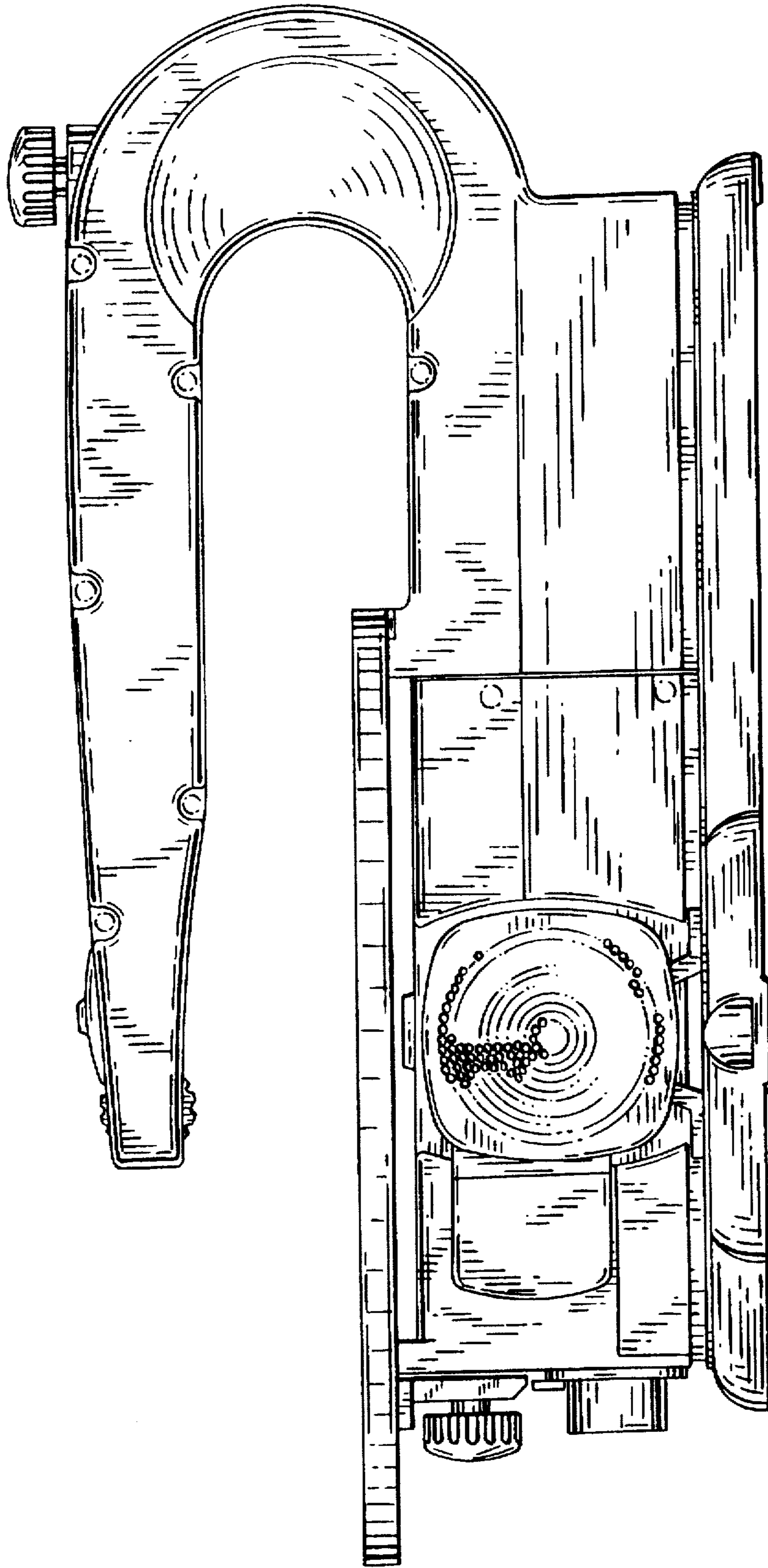


FIG. 4

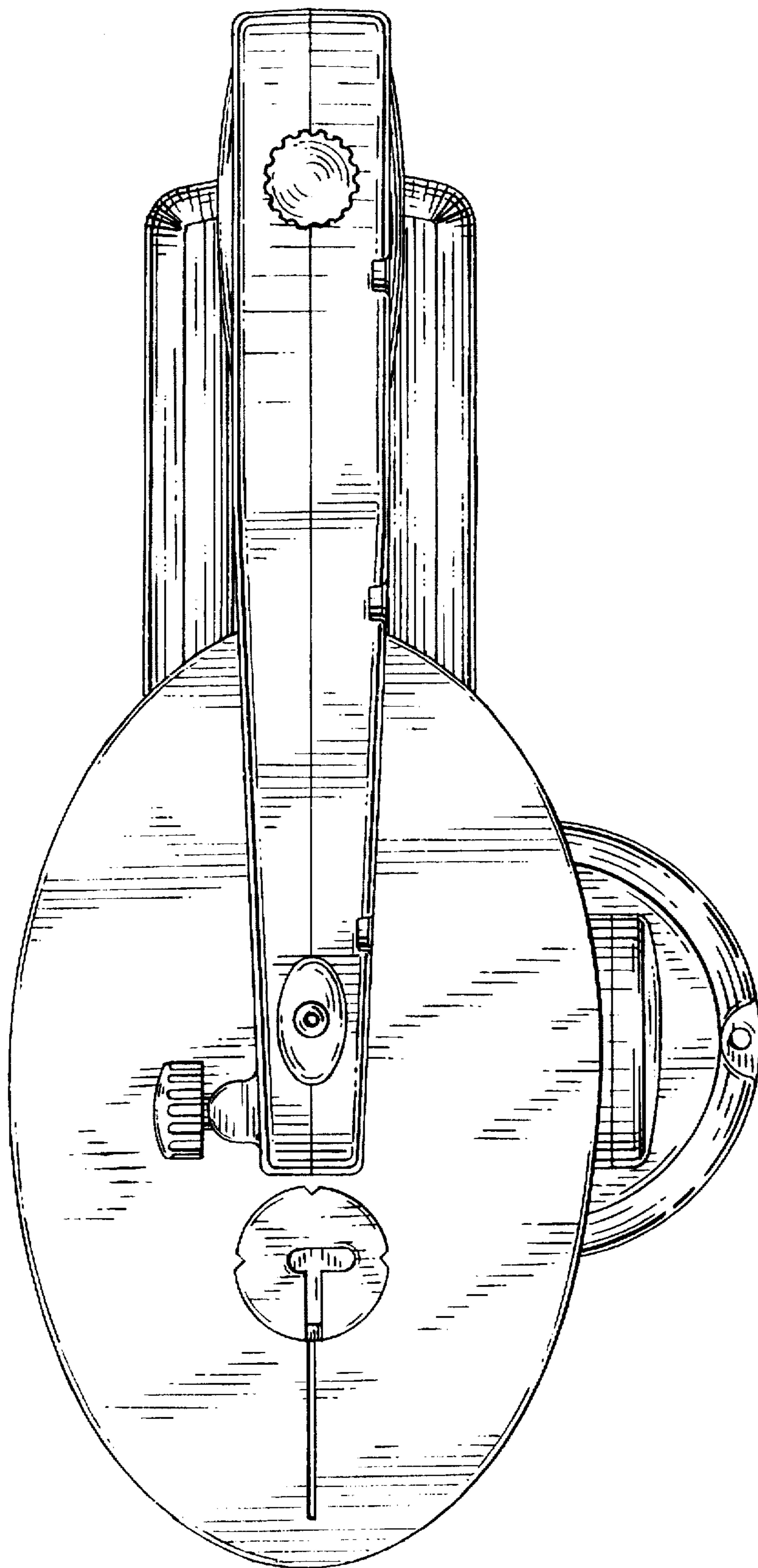


FIG. 6

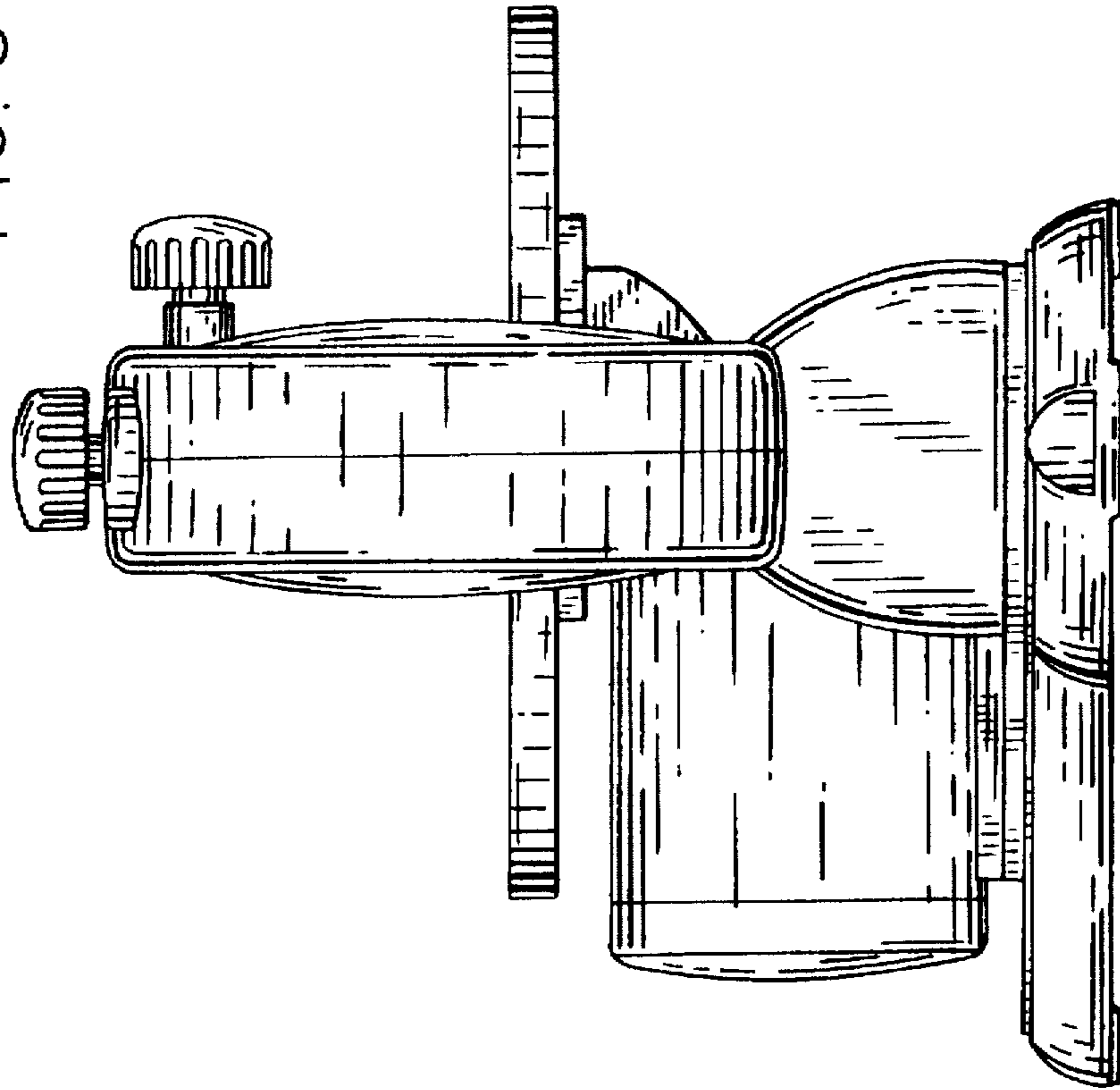


FIG. 5

