



US00D392982S

# United States Patent [19] Smith

[11] Patent Number: **Des. 392,982**  
[45] Date of Patent: **\*\*Mar. 31, 1998**

[54] **RIDING MOWER FACE PLATE**  
[75] Inventor: **Kenneth R. Smith, Medina, Ohio**  
[73] Assignee: **MTD Products Inc., Cleveland, Ohio**  
[\*\*] Term: **14 Years**  
[21] Appl. No.: **71,119**  
[22] Filed: **May 21, 1997**  
[51] LOC (6) Cl. .... **15-03**  
[52] U.S. Cl. .... **D15/17; D15/31; D12/163**  
[58] Field of Search ..... **D12/163-165;**  
**D15/14-17, 22-26, 28, 31; 56/12.8, 13.4,**  
**17.4-17.5, 202, 254, 320.1, 320.2; 293/115,**  
**144, 146, 148**

D. 365,578 12/1995 Westmayer et al. .... D15/31  
2,578,068 12/1951 Johnson ..... 293/115  
3,438,667 4/1969 Davis ..... 293/144

Primary Examiner—Sandra L. Morris

## [57] CLAIM

The ornamental design for a riding mower face plate, as shown and described.

## DESCRIPTION

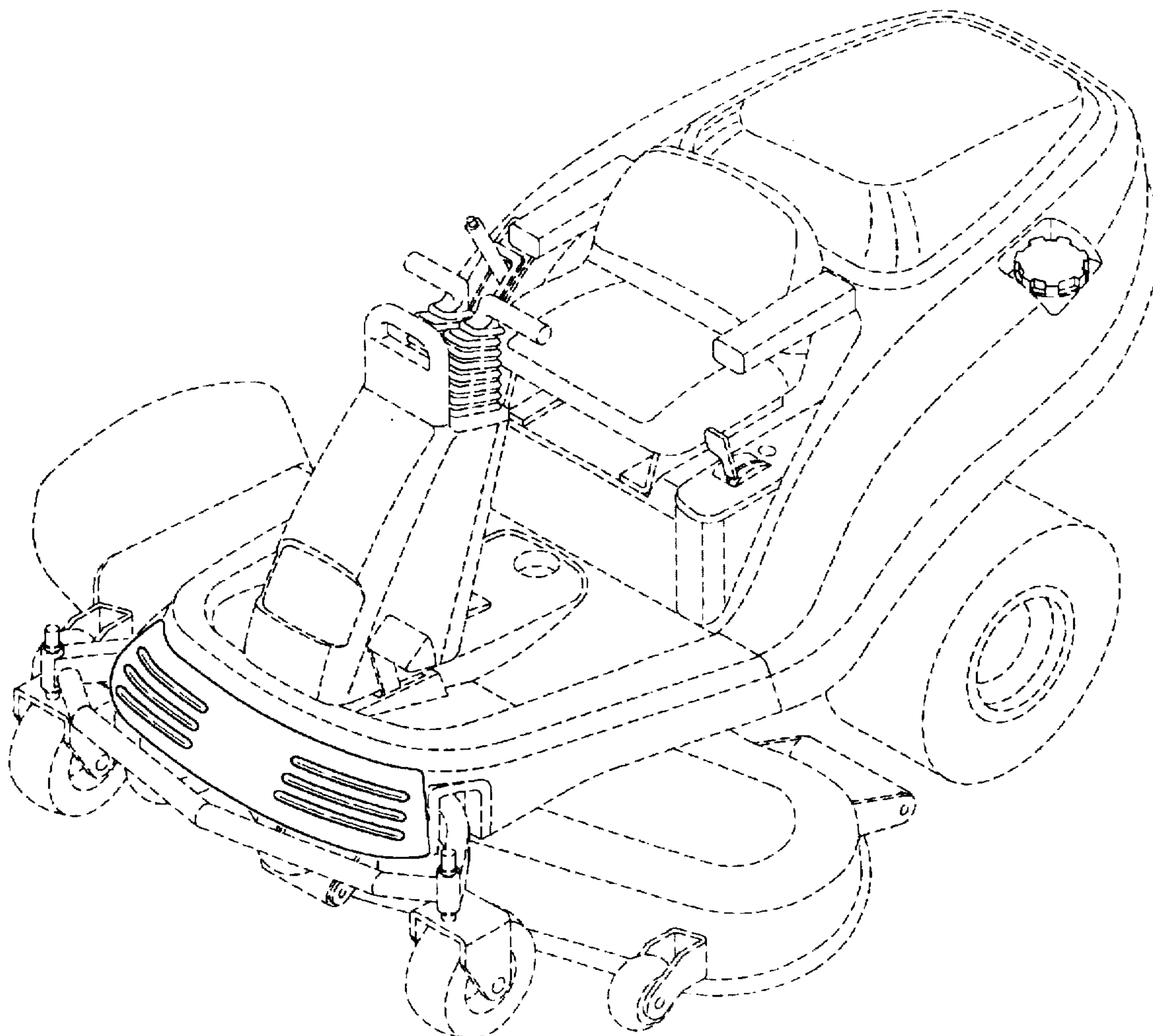
FIG. 1 is a right side perspective view of a riding mower face plate, showing my new design, the broken line showing of the mower is for illustrative purposes only, and forms no part of the claimed design;  
FIG. 2 is a top plan view thereof;  
FIG. 3 is a left side elevational view thereof;  
FIG. 4 is a front view thereof;  
FIG. 5 is a right side elevational view thereof; and  
FIG. 6 is a rear view thereof.  
FIGS. 2-6 are shown on an enlarged scale.

## [56] References Cited

### U.S. PATENT DOCUMENTS

D. 218,418 8/1970 Birchard et al. .... D12/163  
D. 298,426 11/1988 Kikuchi ..... D12/163  
D. 363,939 11/1995 Kato et al. .... D15/15

**1 Claim, 2 Drawing Sheets**



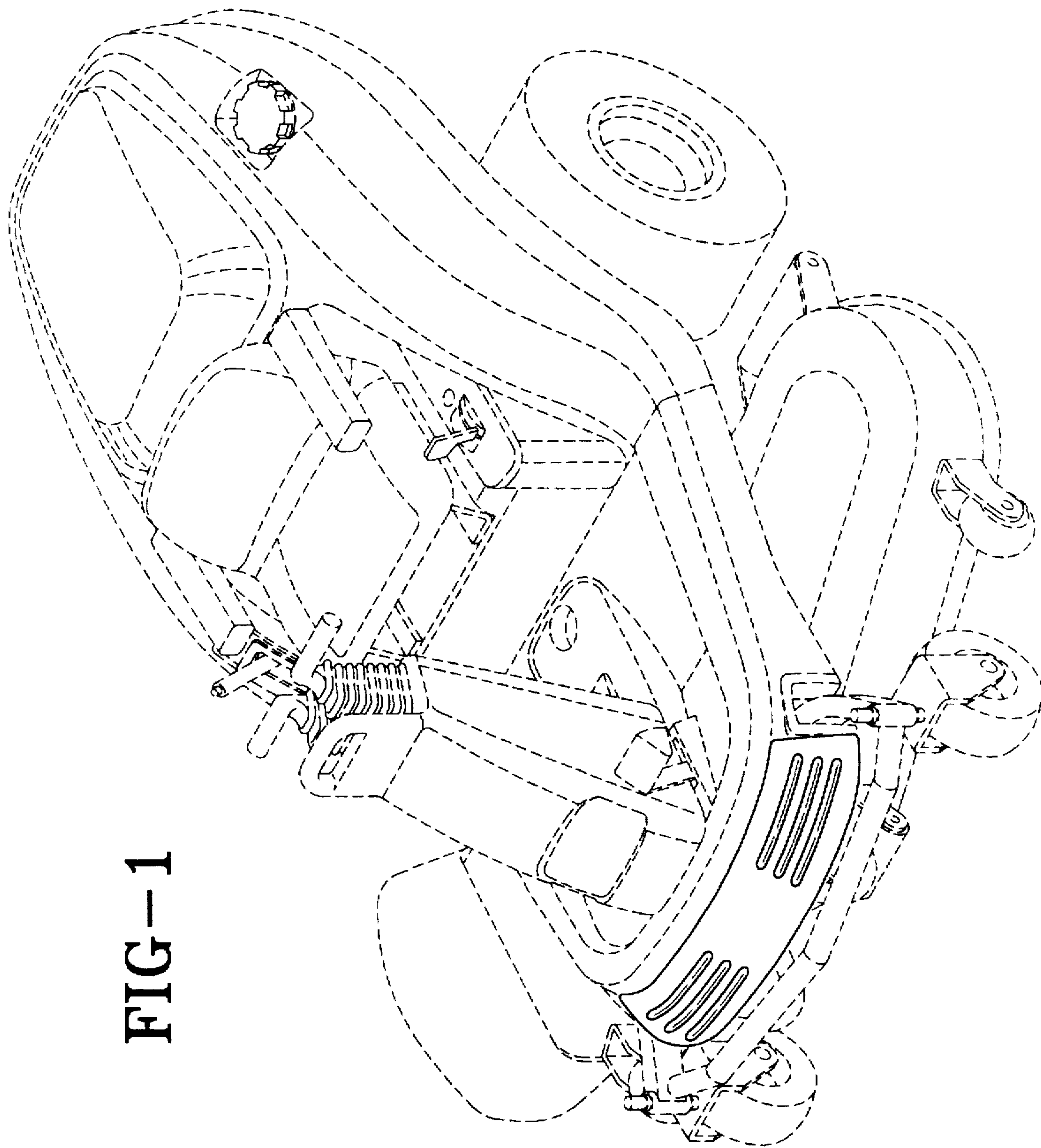


FIG-1

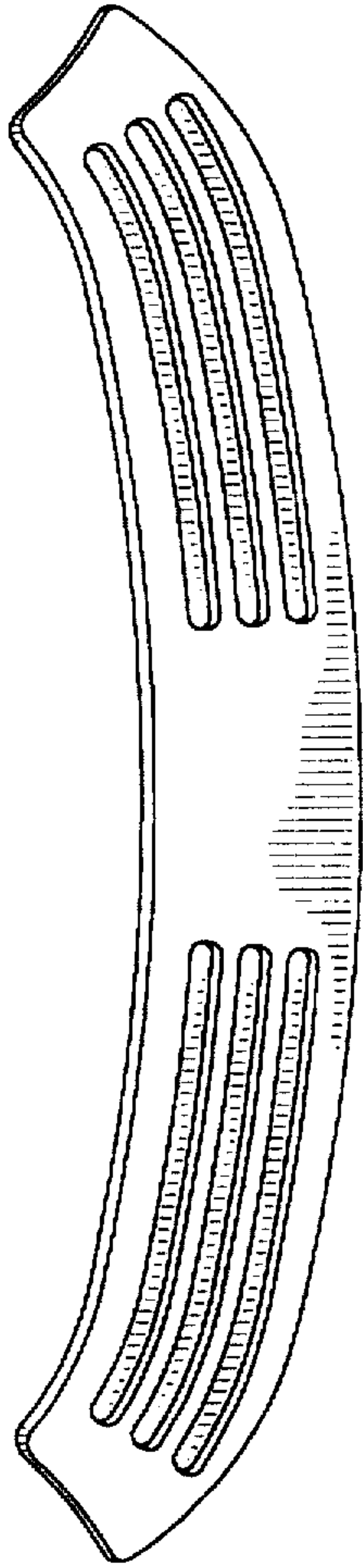


FIG-2

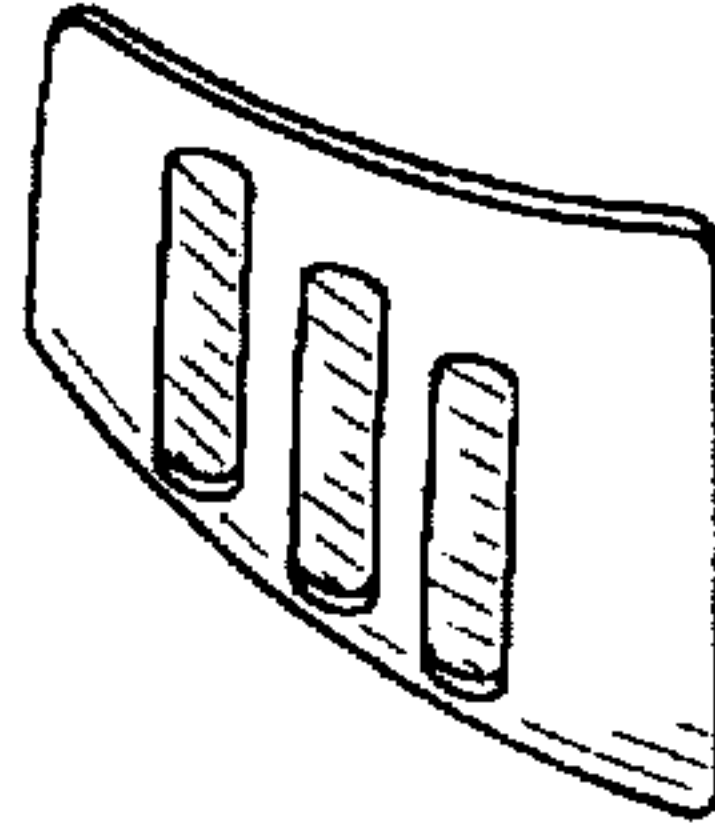


FIG-5

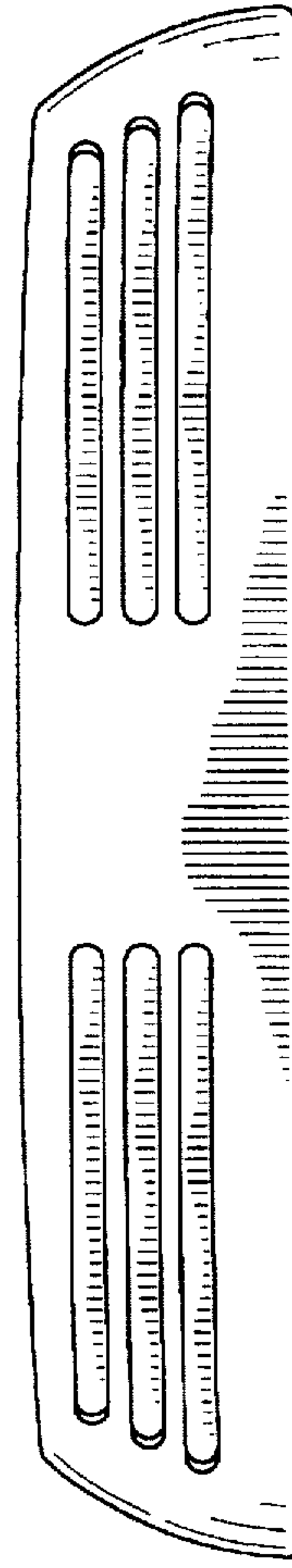


FIG-4

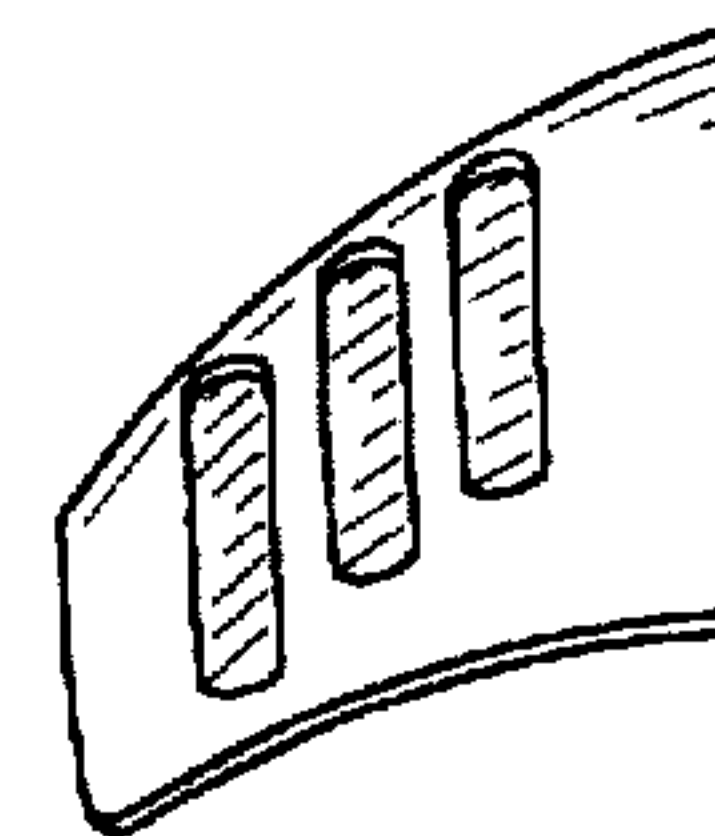


FIG-3

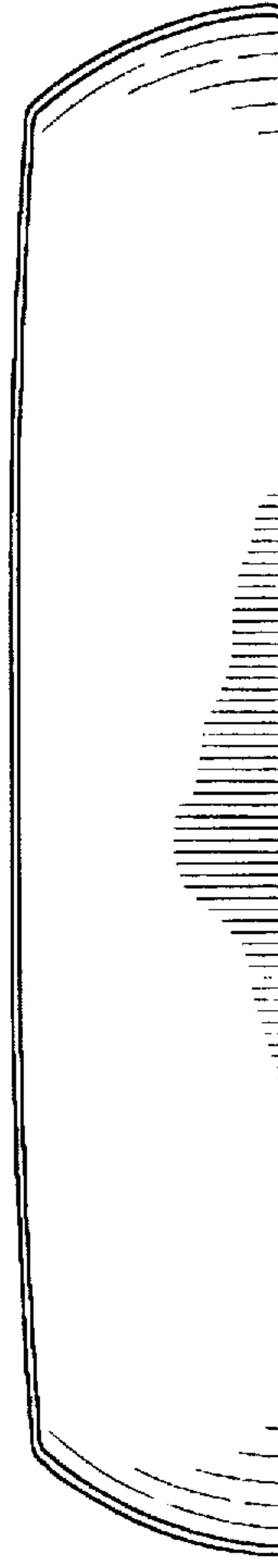


FIG-6