



US00D392981S

United States Patent [19]
Smith

[11] **Patent Number: Des. 392,981**
[45] **Date of Patent: **Mar. 31, 1998**

[54] **RIDING MOWER BODY PORTION**
[75] **Inventor: Kenneth R. Smith, Medina, Ohio**
[73] **Assignee: MTD Products Inc., Cleveland, Ohio**
[**] **Term: 14 Years**
[21] **Appl. No.: 71,123**
[22] **Filed: May 21, 1997**
[51] **LOC (6) Cl. 15-03**
[52] **U.S. Cl. D15/15; D15/17**
[58] **Field of Search D15/14-17, 28,**
D15/33; 56/202, 255, 320.1, 320.2; 180/89.1,
879.12; 296/186, 187, 901

D. 340,936 11/1993 Matsuda et al. D15/15
D. 362,447 9/1995 Lamb D15/15

Primary Examiner—Sandra L. Morris

[57] **CLAIM**

The ornamental design for a riding mower body portion, as shown and described.

DESCRIPTION

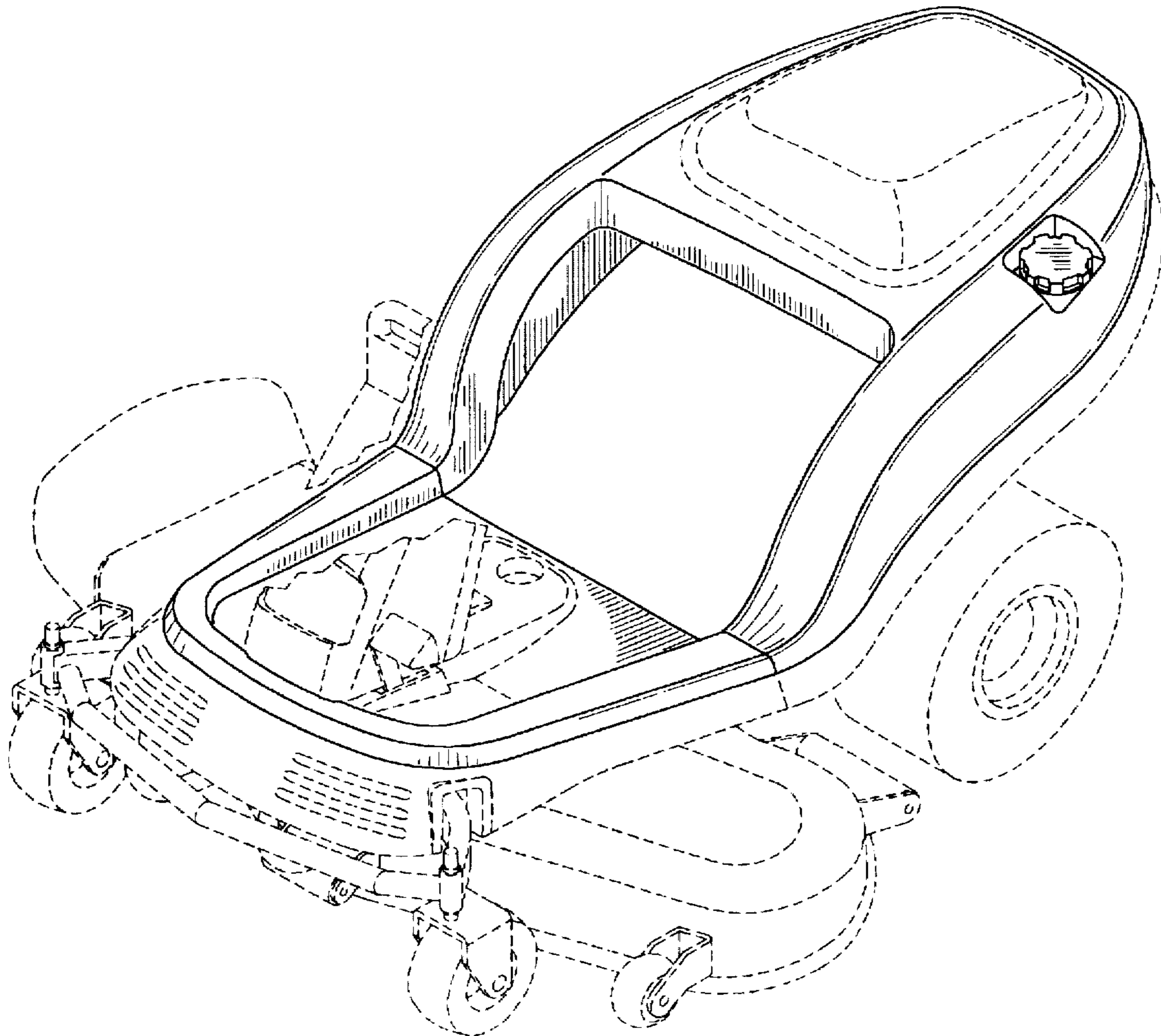
FIG. 1 is a right side perspective view of a riding mower body portion, showing my new design, the broken line showing is for illustrative purposes only, and forms no part of the claimed design;
FIG. 2 is a top plan view thereof;
FIG. 3 is a front view thereof;
FIG. 4 is a rear view thereof;
FIG. 5 is a right side elevational view thereof; and,
FIG. 6 is a left side elevational view thereof.

[56] **References Cited**

U.S. PATENT DOCUMENTS

D. 218,633 9/1970 Schreckengost D15/17
D. 340,461 10/1993 Patterson et al. D15/15

1 Claim, 4 Drawing Sheets



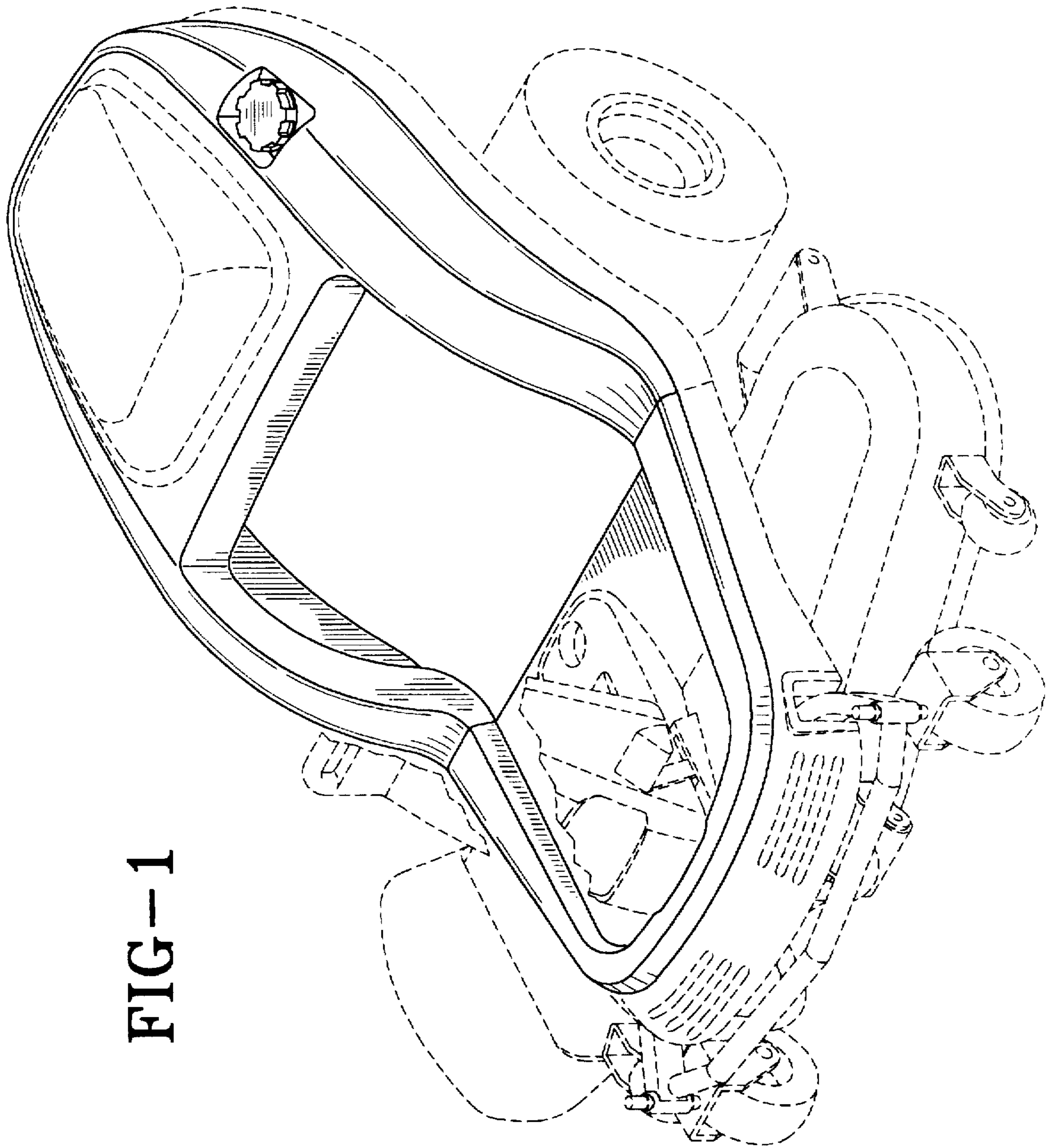


FIG-1

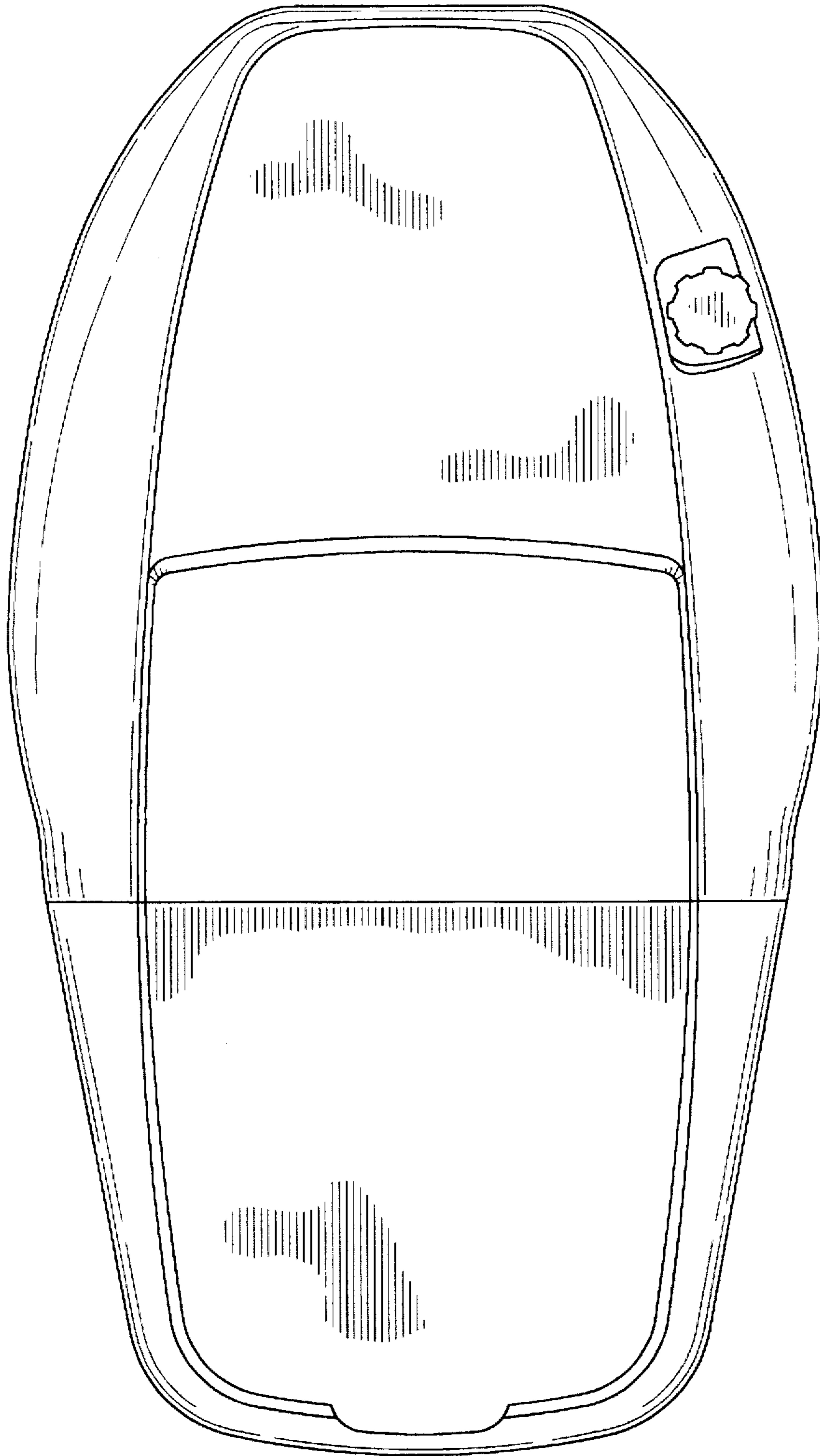


FIG-2

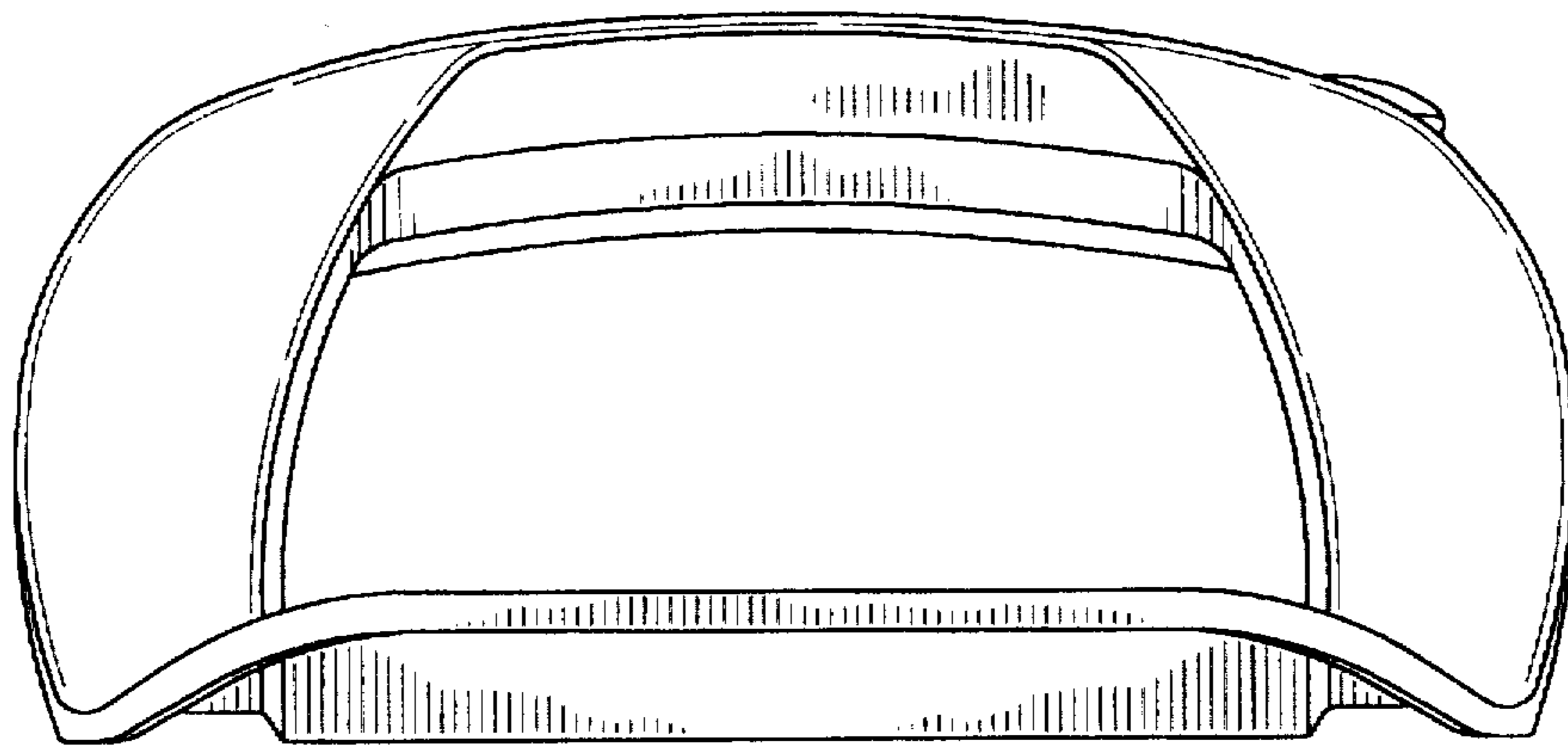


FIG-3

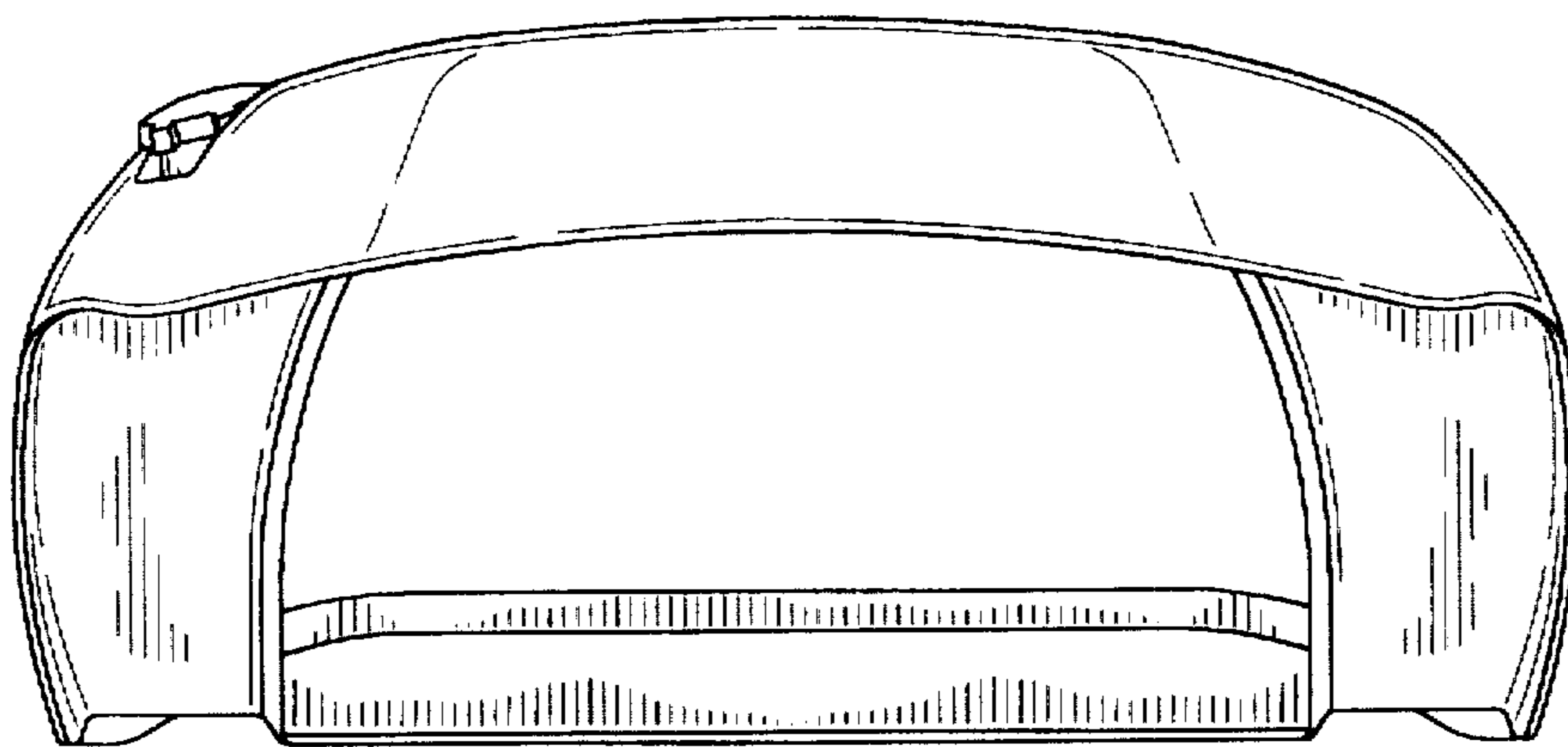


FIG-4

