



US00D392980S

United States Patent [19]
Lepack

[11] **Patent Number: Des. 392,980**
[45] **Date of Patent: **Mar. 31, 1998**

[54] **MODULE FOR A TELEPHONE**
[75] **Inventor: Robert Lepack, Calgary, Canada**
[73] **Assignee: Northern Telecom Limited, Montreal, Canada**
[**] **Term: 14 Years**
[21] **Appl. No.: 63,925**
[22] **Filed: Dec. 18, 1996**
[51] **LOC (6) Cl. 14-03**
[52] **U.S. Cl. D14/240**
[58] **Field of Search D14/100, 107, D14/114, 191, 137, 138, 149-151, 140, 142, 240, 242, 218; D13/162, 164, 184; 340/825.44; 455/90; 379/419, 420, 428, 440, 441, 442; D10/78, 2, 15**

D. 383,466 9/1997 Burell D14/240
5,173,688 12/1992 Deluca et al. 340/825.44

OTHER PUBLICATIONS

Hello Direct, Spring 1997, p. 26, Power Touch 350 Adsi Phone at top.
Specialized Products Company, Fall 1991, p. 64, Smart Data Meter 931 at top.
Specialized Products Company, Fall 1989, p. 131, Digit Graber Hand Held Portable Tester, at bottom right.

Primary Examiner—Jeffrey Asch
Attorney, Agent, or Firm—R. J. Austin

[57] **CLAIM**

The ornamental design for a module for a telephone, as shown and described.

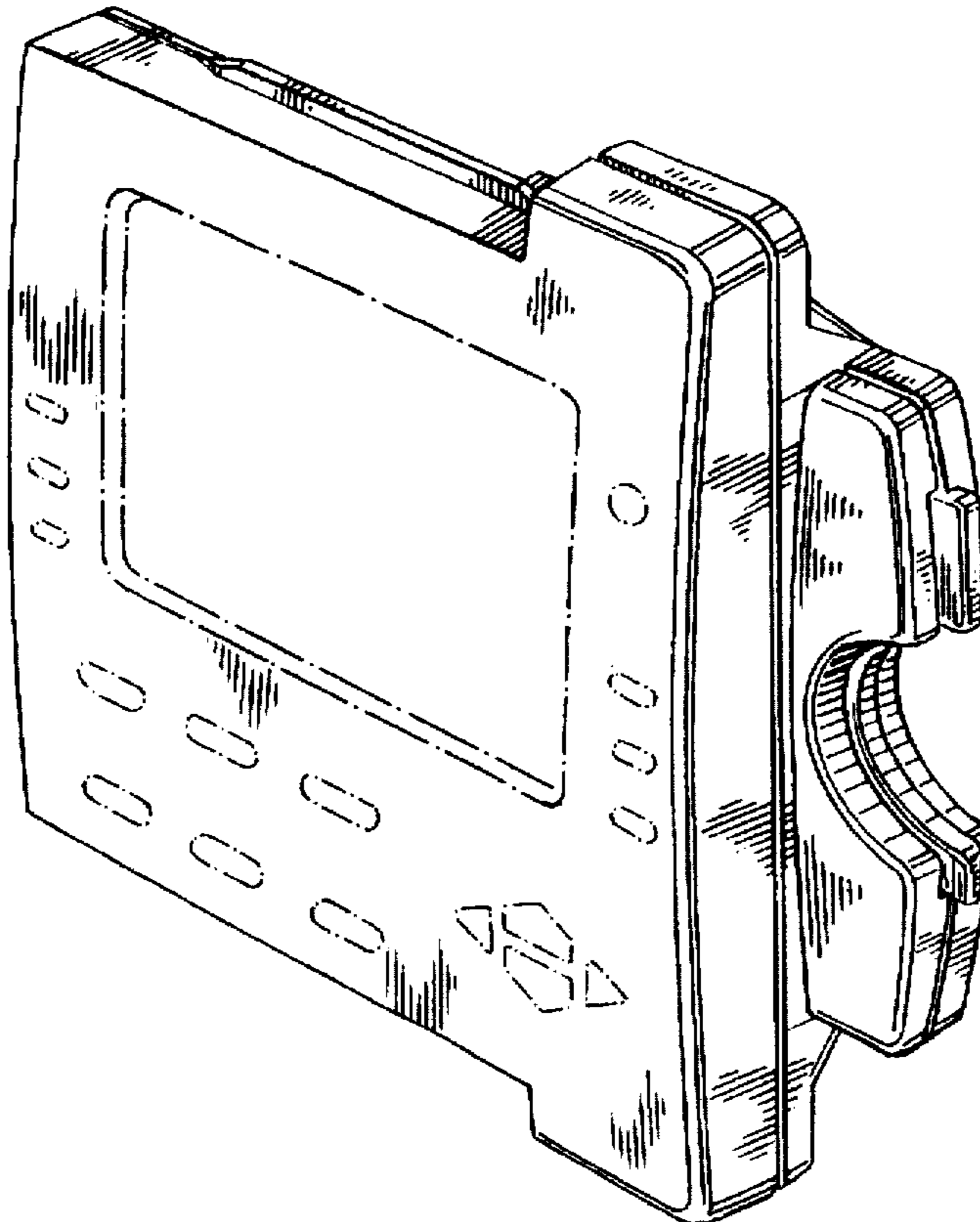
DESCRIPTION

FIG. 1 is a front isometric view of the module;
FIG. 2 is a top plan view thereof;
FIG. 3 is a bottom plan view thereof;
FIG. 4 is a right-hand side view thereof;
FIG. 5 is a left-hand side view thereof;
FIG. 6 is a front elevational view thereof; and,
FIG. 7 is a rear elevational view thereof.
The broken line showings in FIGS. 1, 2, 6 and 7 are for illustrative purposes only and form no part of the claimed design.

[56] **References Cited**
U.S. PATENT DOCUMENTS

D. 263,707	4/1982	Fukushima et al.	D14/100
D. 323,155	1/1992	Hino et al.	D14/100
D. 352,025	11/1994	Dellavecchia et al.	D13/164
D. 358,338	5/1995	Wong	D10/2 X
D. 359,047	6/1995	Brandsma	D14/191
D. 366,458	1/1996	Pearson et al.	D13/162
D. 370,892	6/1996	Shima et al.	D14/100
D. 370,911	6/1996	Mo	D10/15 X
D. 382,567	8/1997	Westfall	D14/240

1 Claim, 3 Drawing Sheets



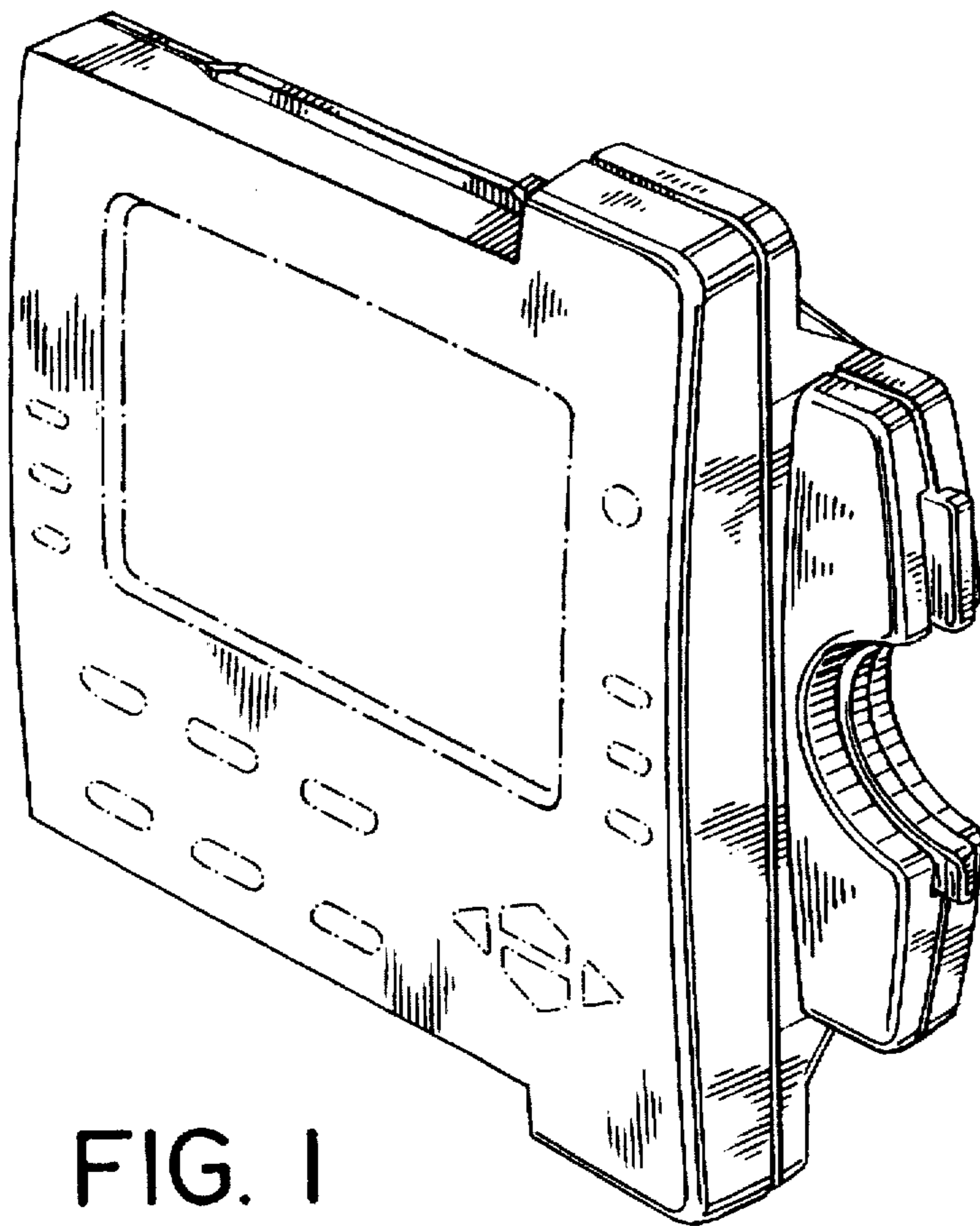


FIG. 1

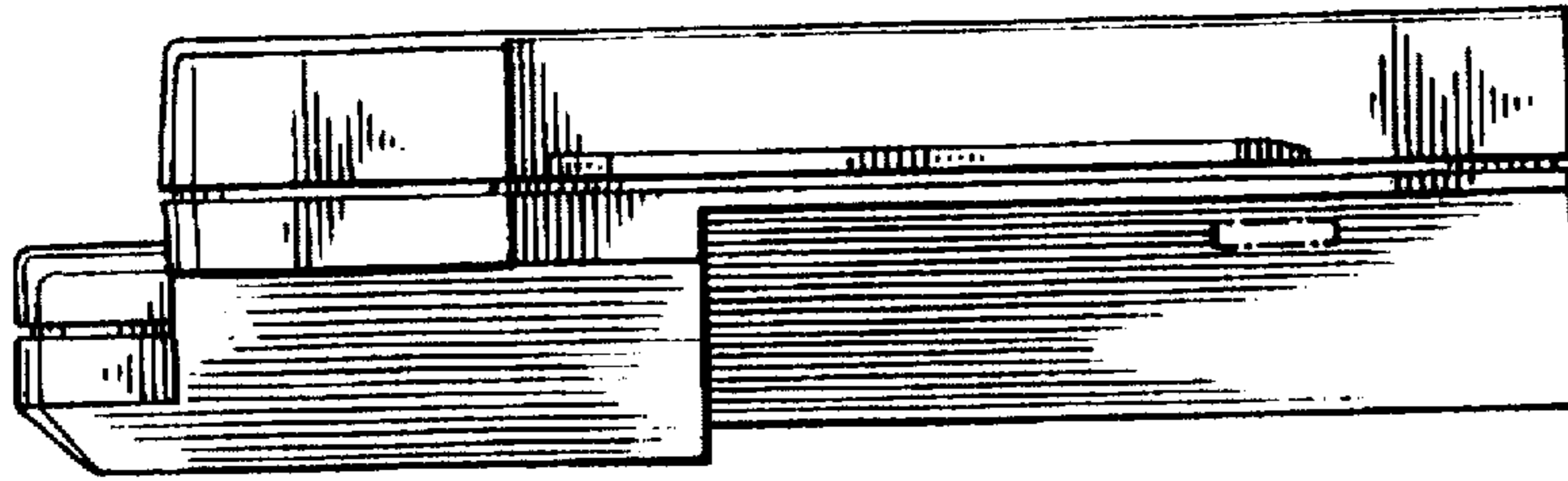


FIG. 2

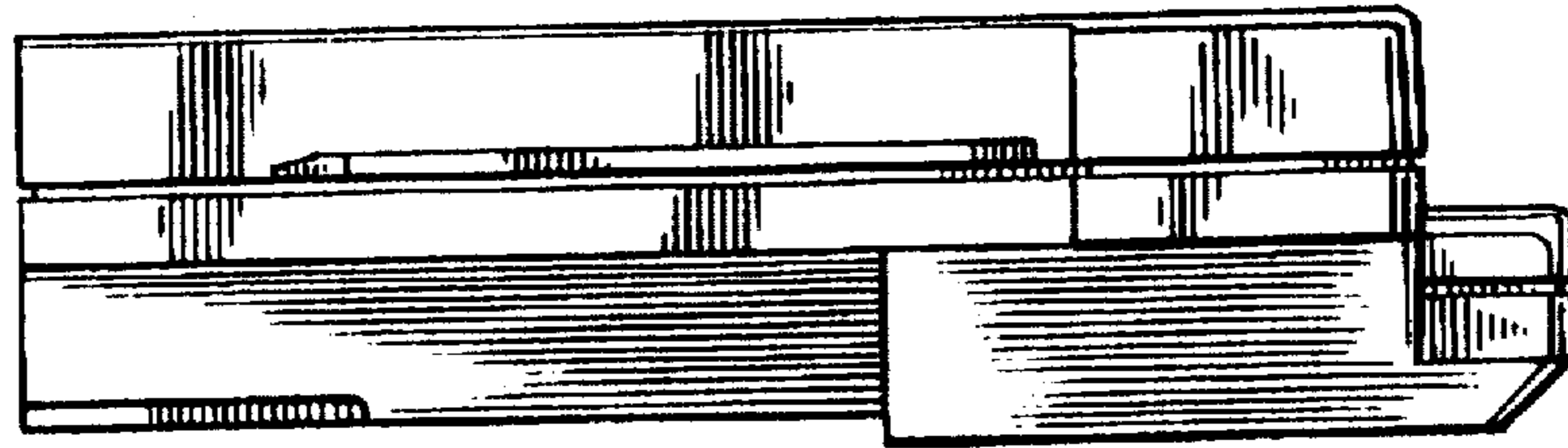


FIG. 3

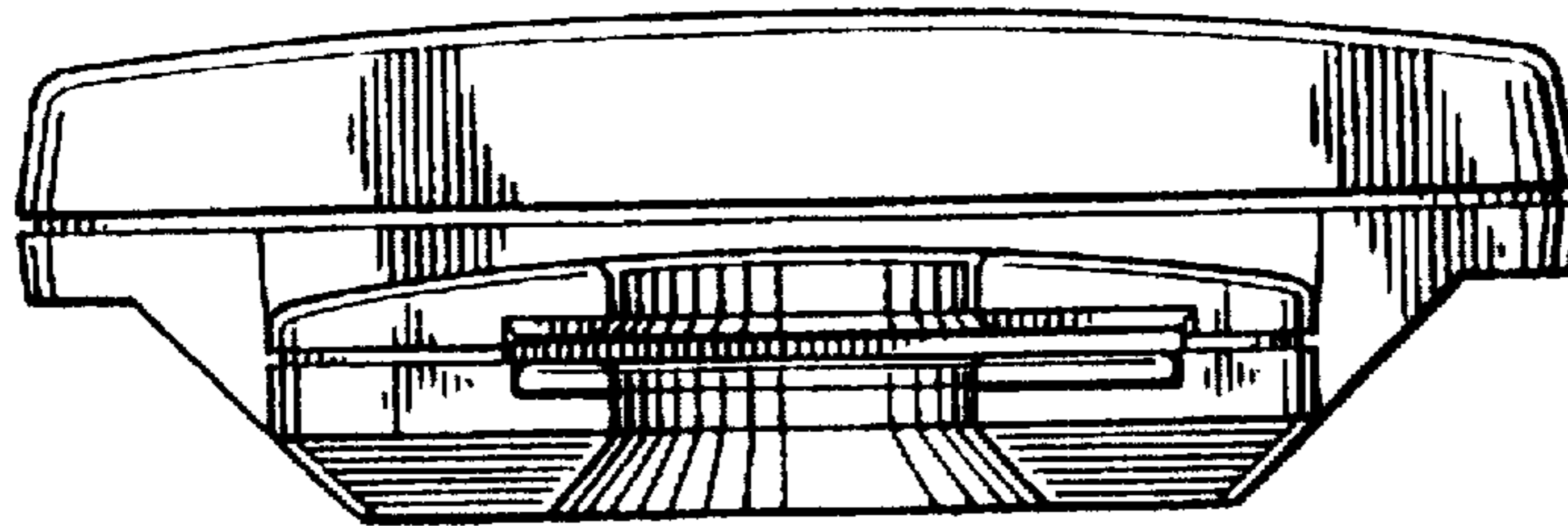


FIG. 4

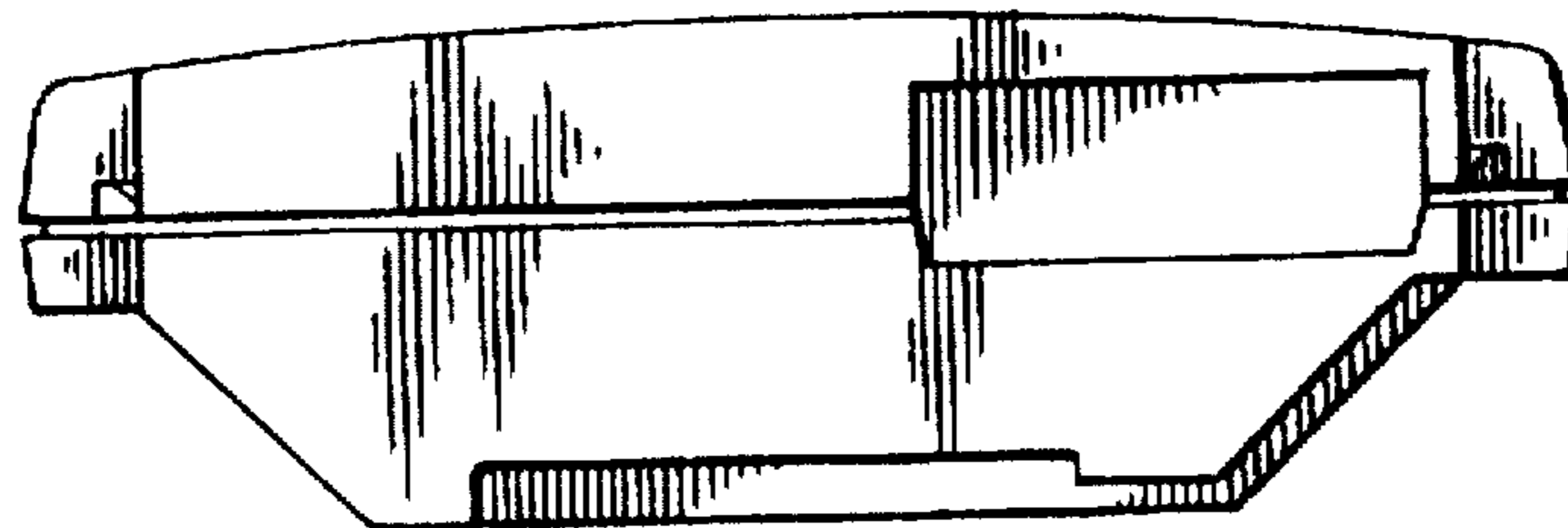


FIG. 5

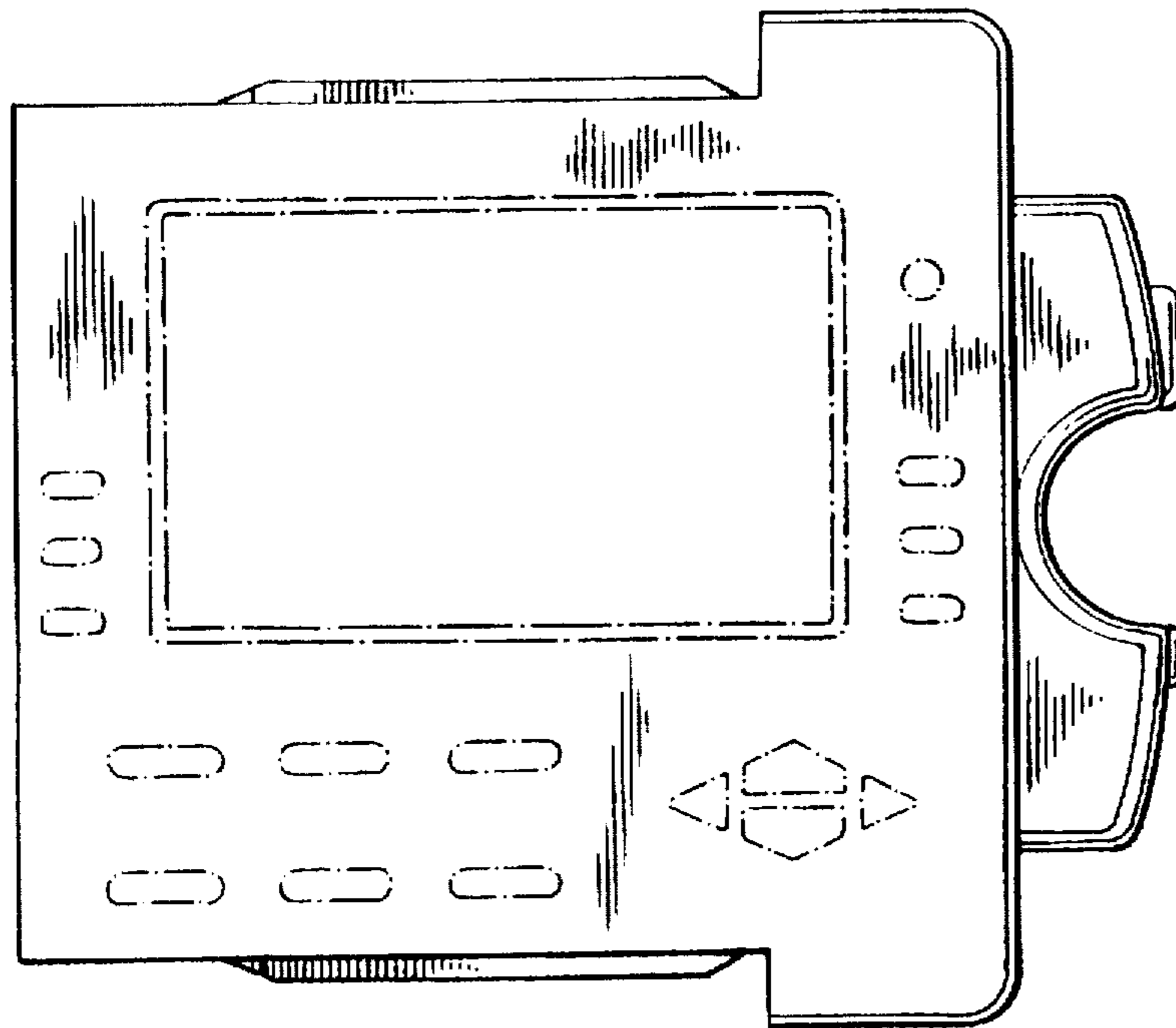


FIG. 6

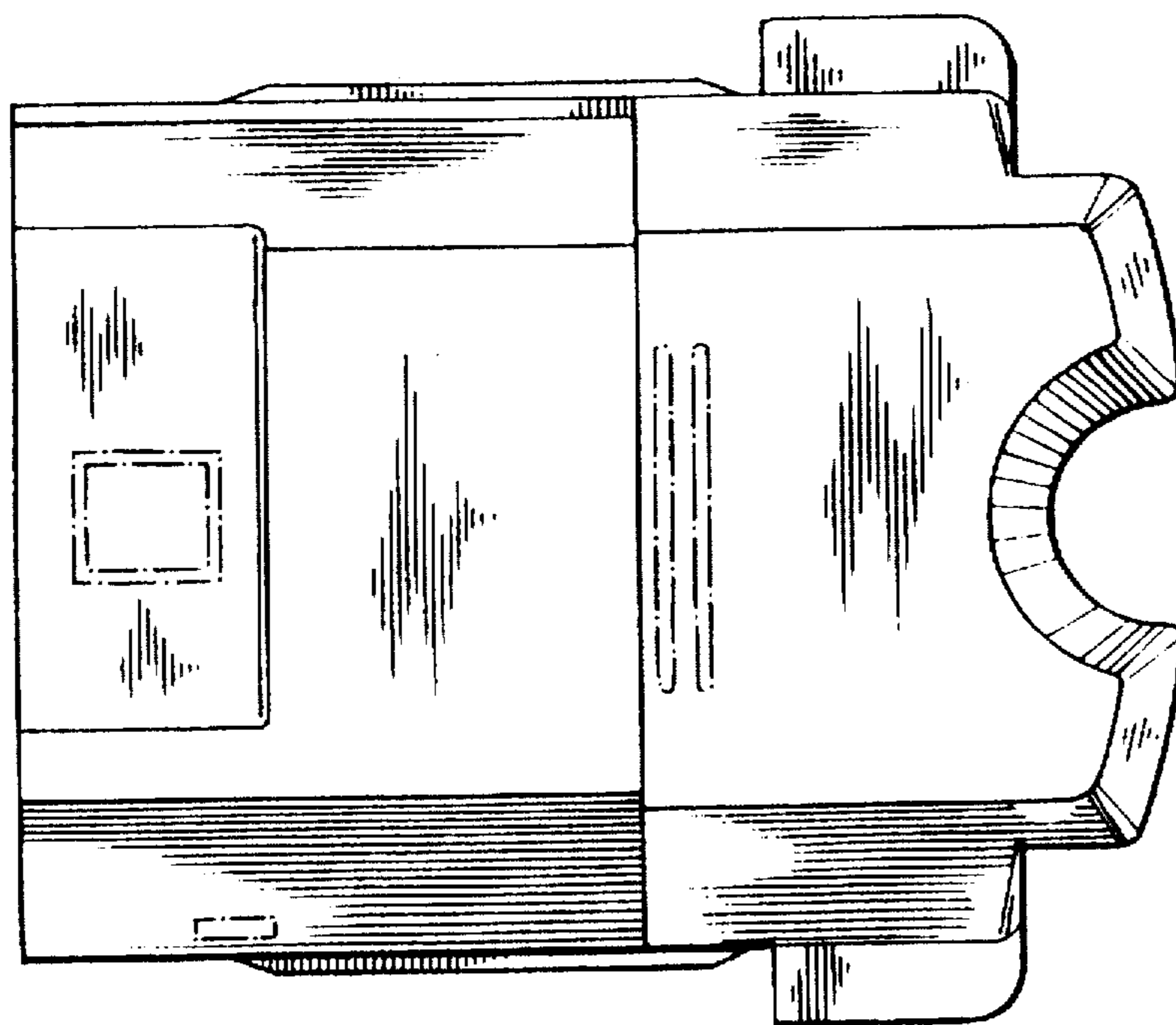


FIG. 7