

US00D392978S

United States Patent [19]

[11] Patent Number: **Des. 392,978**

Lucas

[45] Date of Patent: ****Mar. 31, 1998**

[54] **COMPACT DISC MIXER**

D. 356,311 3/1995 Ito et al. D14/217
D. 367,052 2/1996 Ito et al. D14/217

[76] Inventor: **David Lucas**, 1414 Oakley St, Bronx,
N.Y. 10469

Primary Examiner—B. J. Bullock
Attorney, Agent, or Firm—Harold H. Dutton, Jr.

[**] Term: **14 Years**

[57] **CLAIM**

[21] Appl. No.: **58,537**

The ornamental design for a compact disc mixer, as shown and described.

[22] Filed: **Aug. 16, 1996**

DESCRIPTION

[51] **LOC (6) Cl.** **14-01**

FIG. 1 is a perspective view of a compact disc mixer showing my new design, with one of the CD ports open and the electrical cord shown broken away for indeterminate length;

[52] **U.S. Cl.** **D14/156; D14/156**

FIG. 2 is a front view thereof;

[58] **Field of Search** D14/217, 156;
381/119; 369/4, 75.1, 75.2, 77.1, 77.2

FIG. 3 is a rear view thereof;

FIG. 4 is a left side view thereof;

[56] **References Cited**

The right side view is a mirror image thereof;

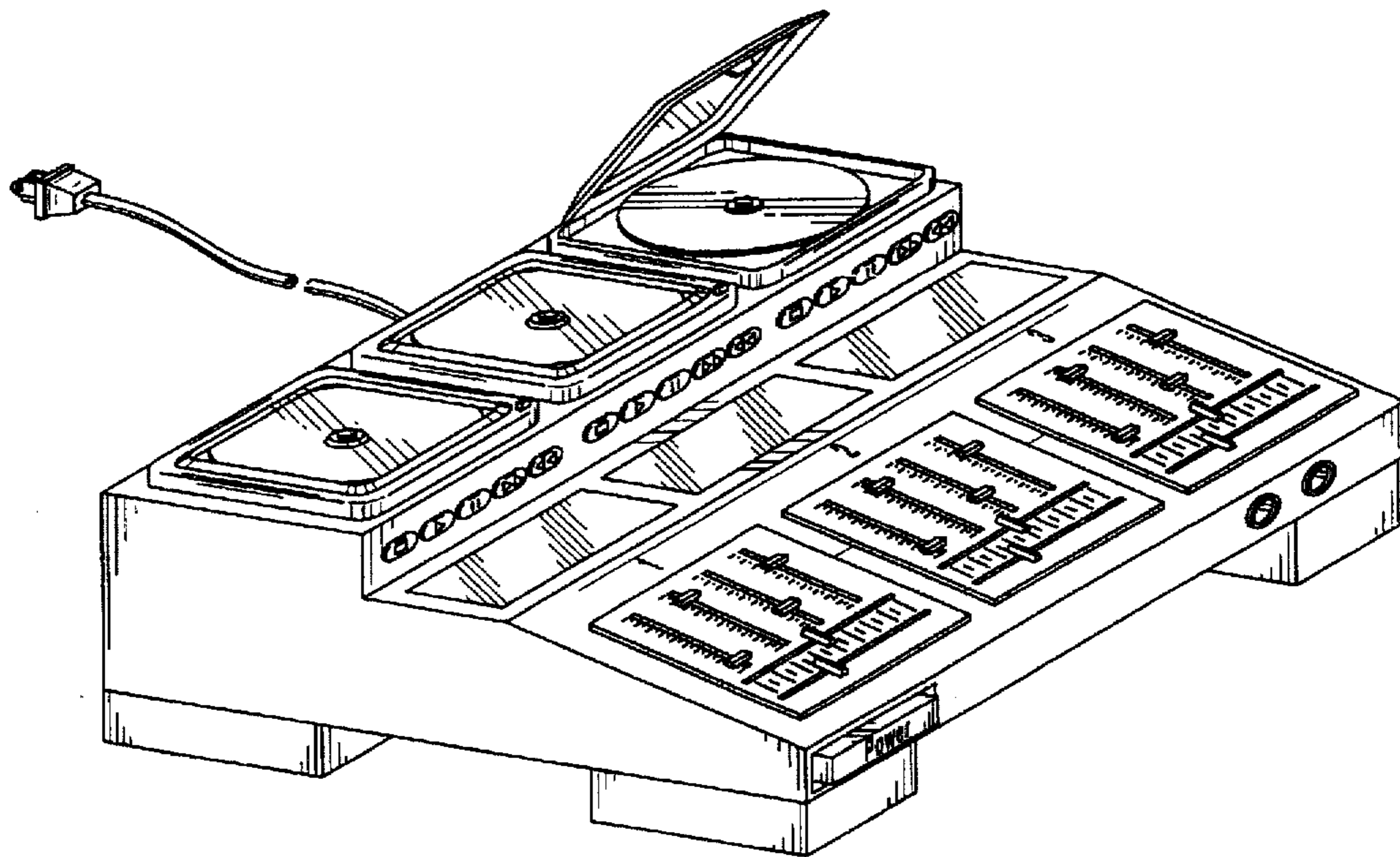
U.S. PATENT DOCUMENTS

FIG. 5 is a top view thereof; and,

FIG. 6 is a bottom view thereof.

D. 291,196 8/1987 Ito et al. D14/162
D. 325,910 5/1992 Ito et al. D14/162
D. 344,726 3/1994 Amiya D14/217

1 Claim, 5 Drawing Sheets



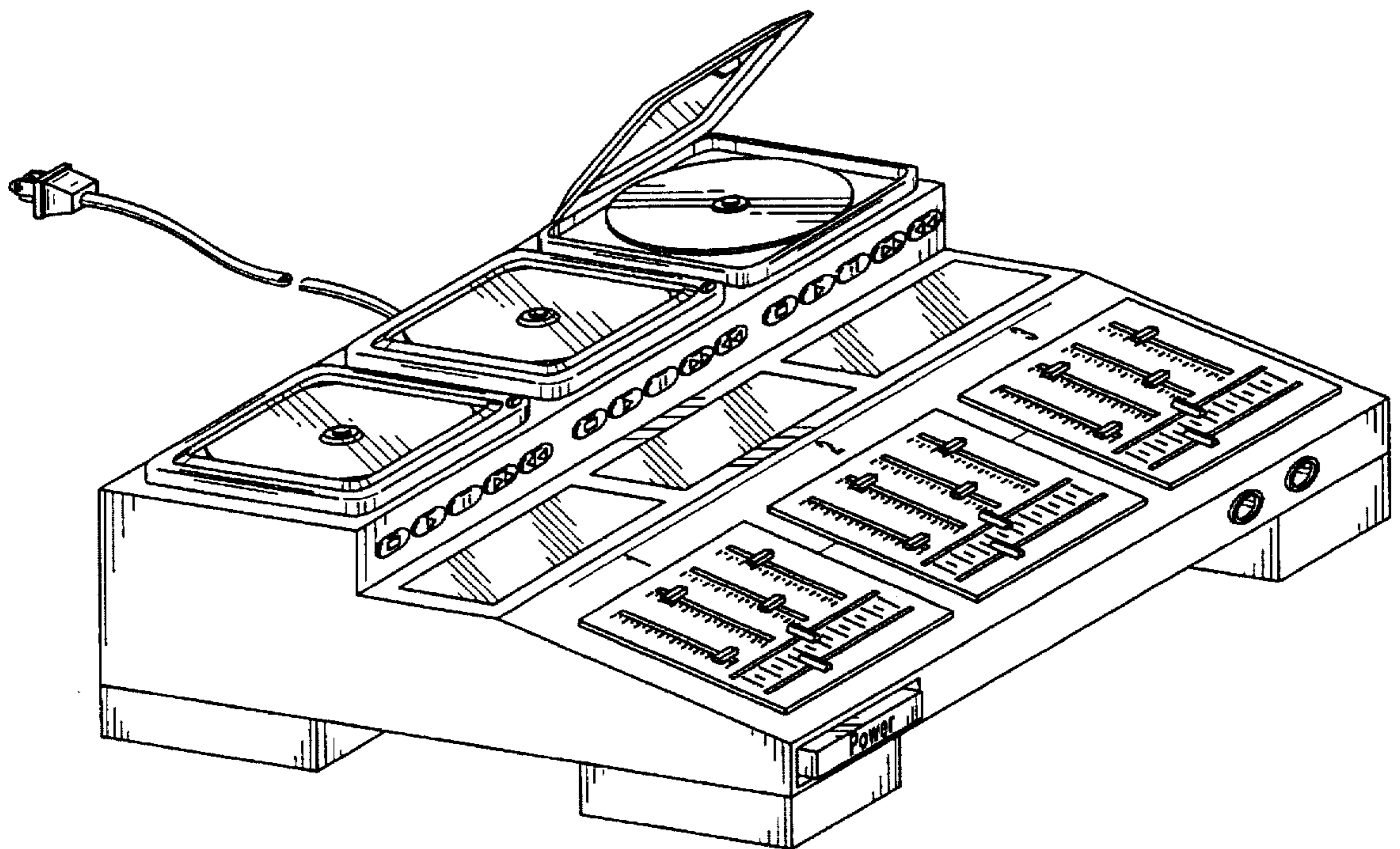


FIG. 1

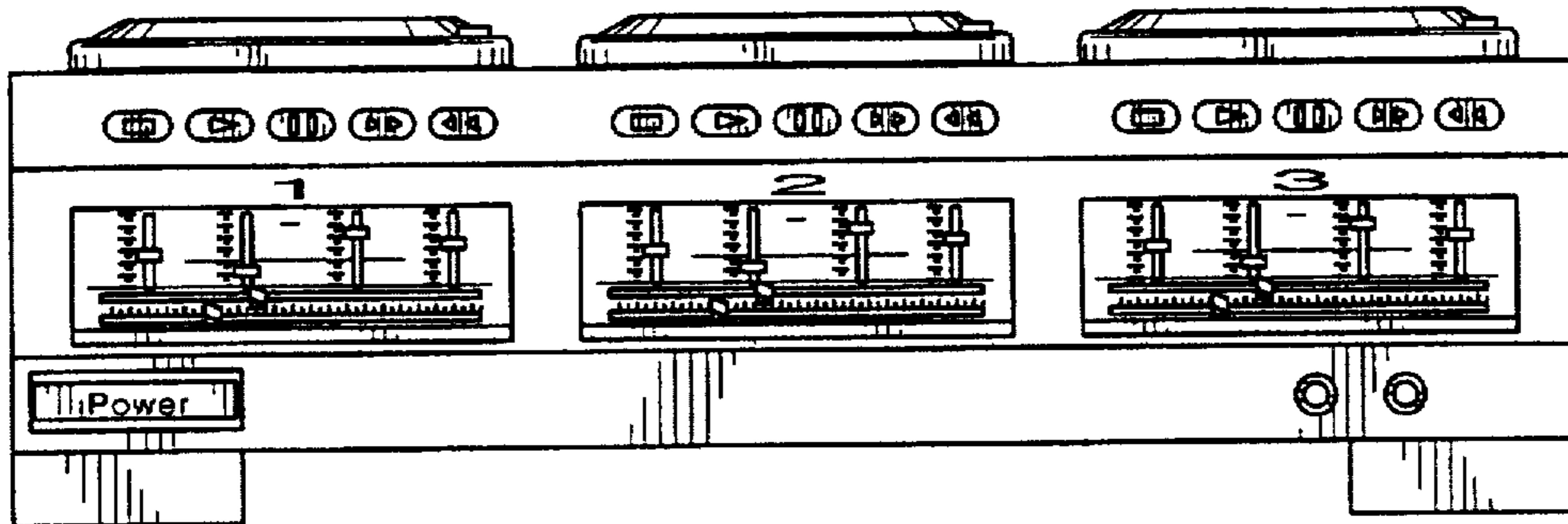


FIG. 2

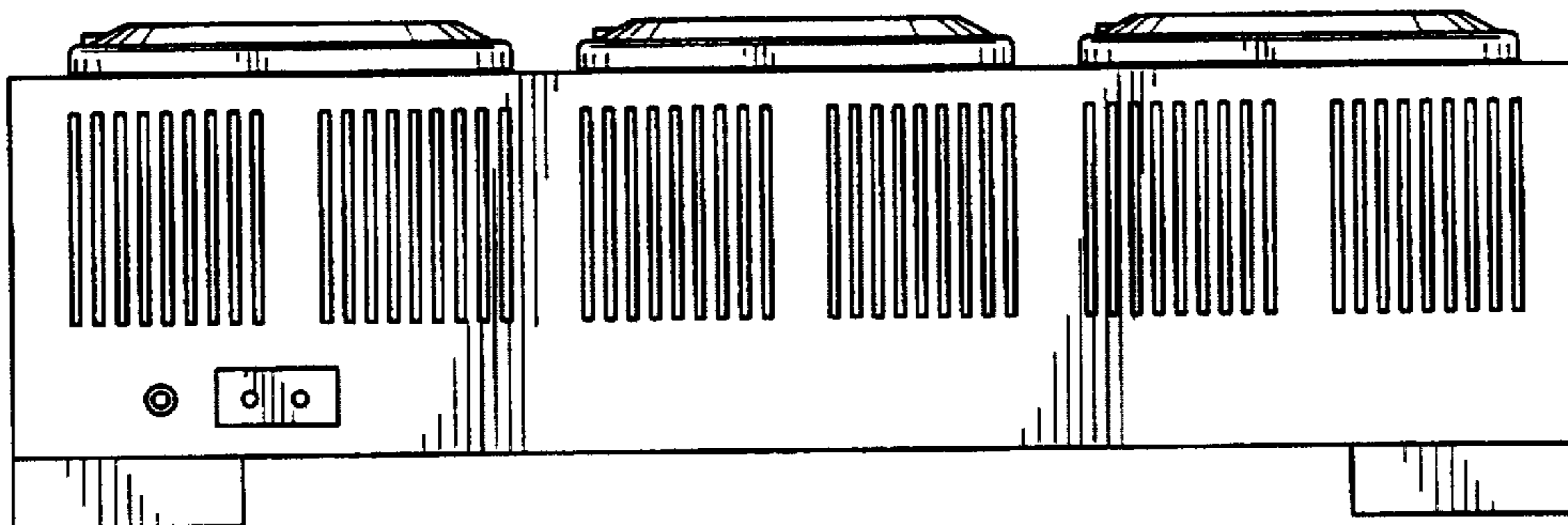


FIG. 3

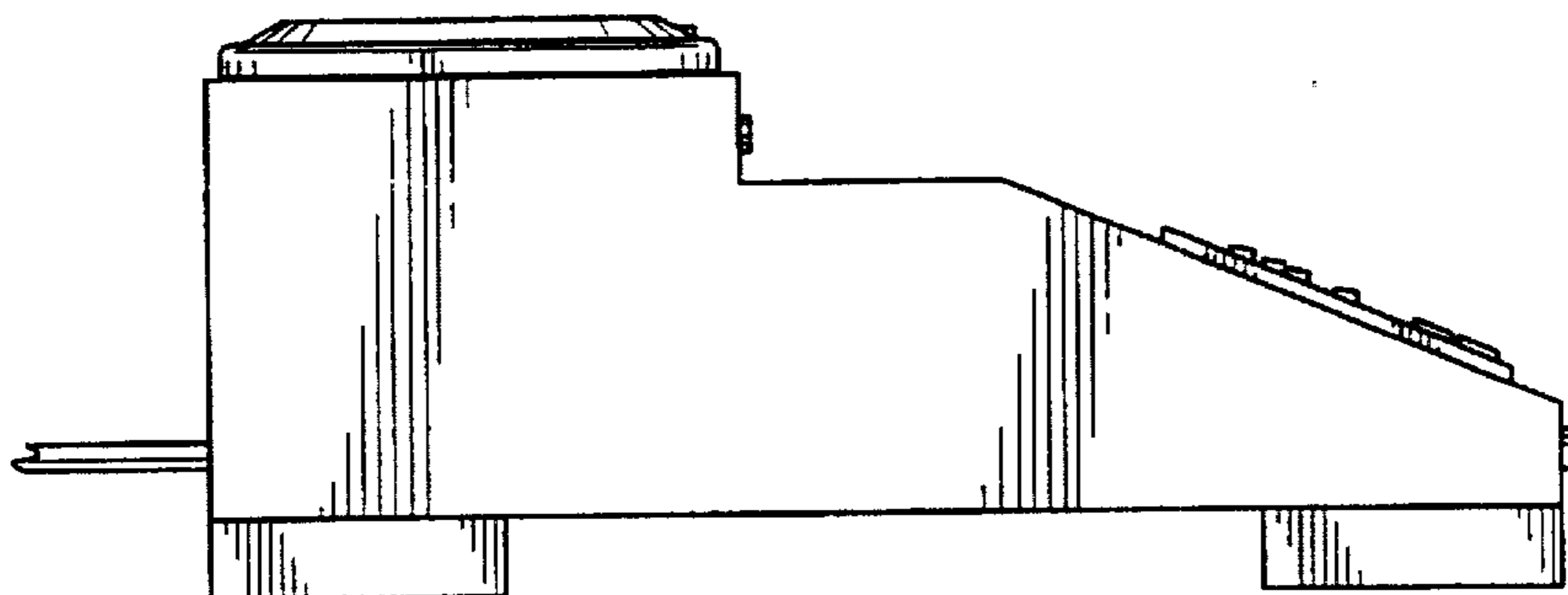


FIG. 4

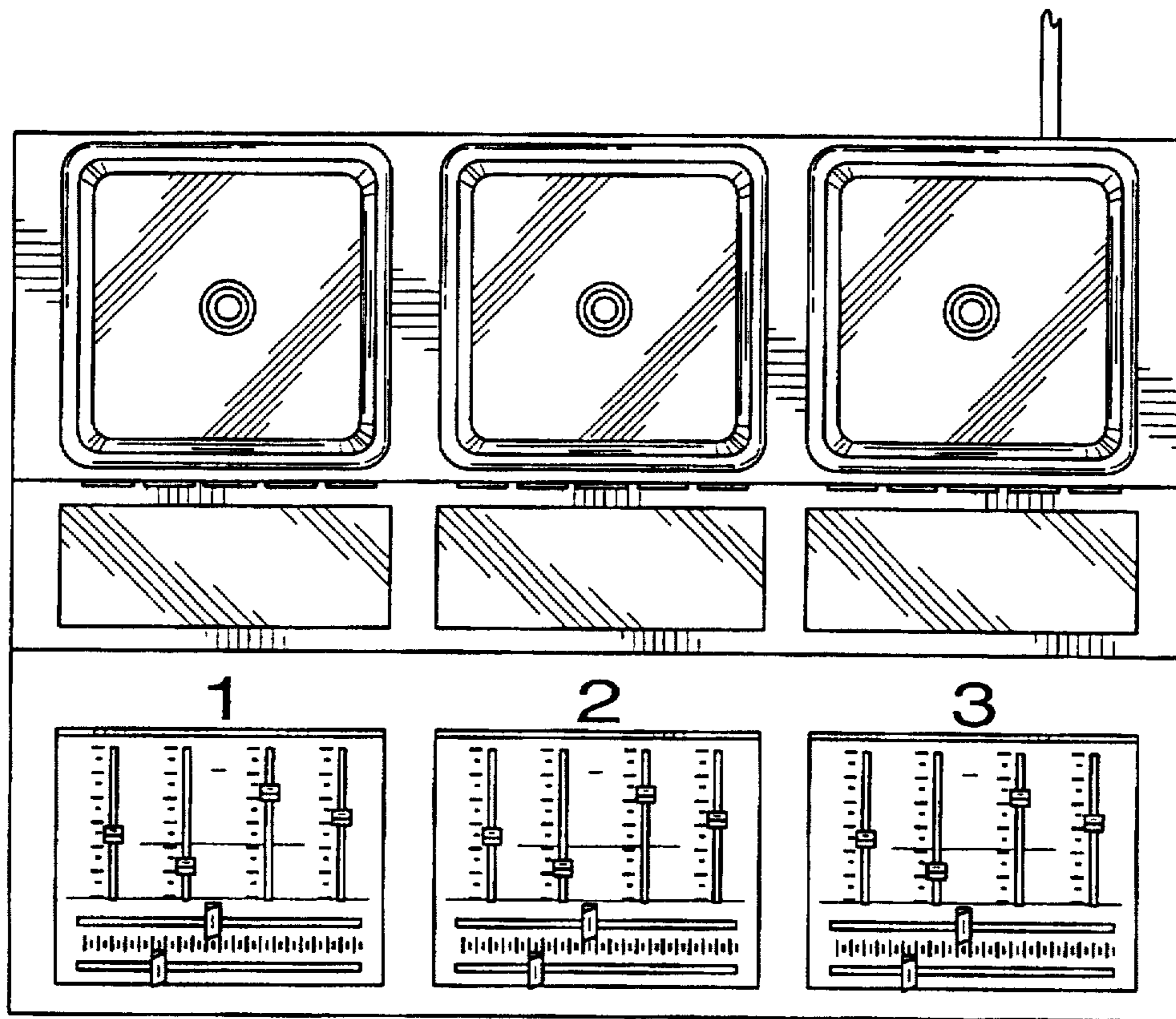


FIG. 5

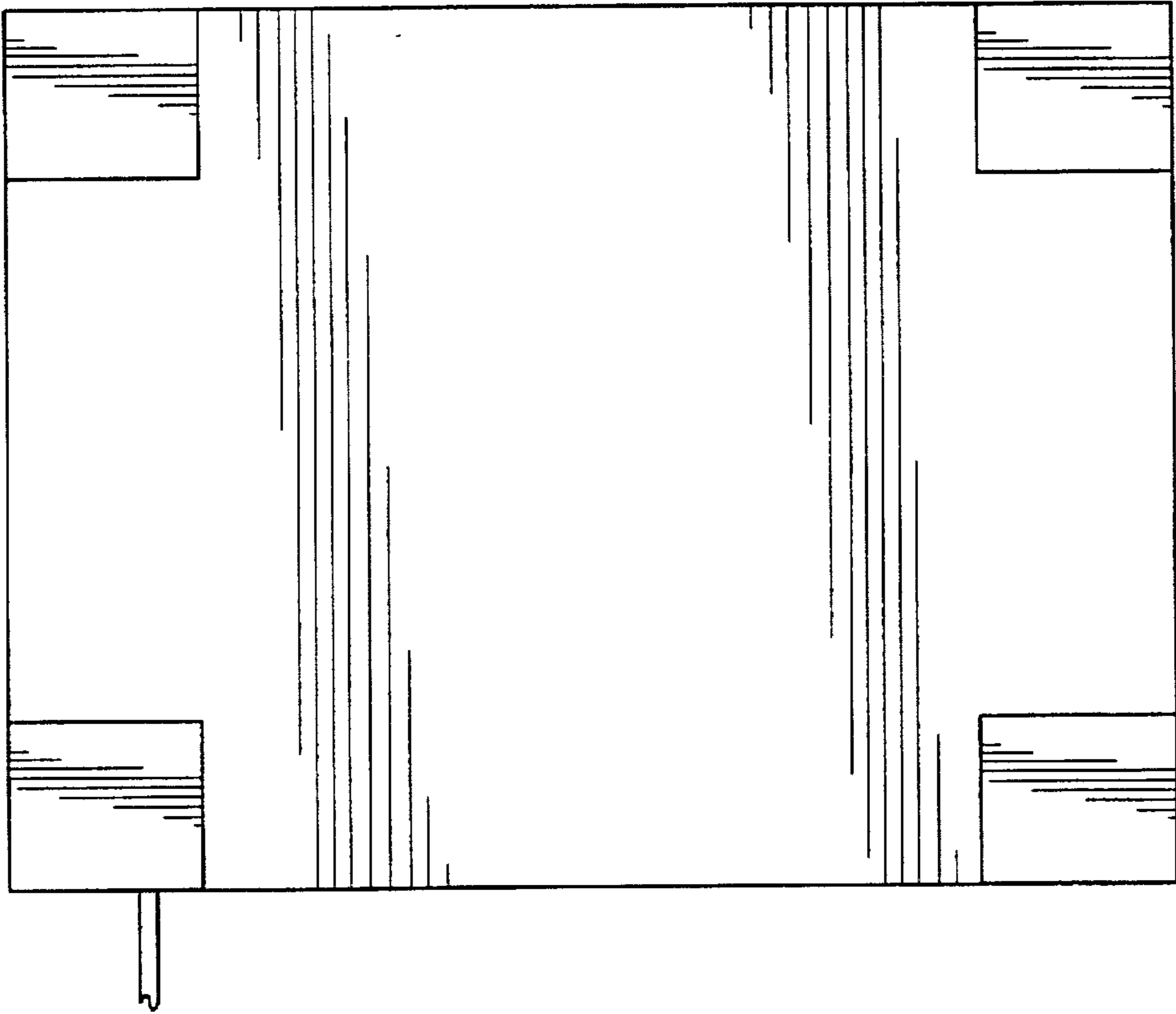


FIG. 6