



US00D392976S

United States Patent [19]

[11] Patent Number: Des. 392,976

Fenner et al.

[45] Date of Patent: **Mar. 31, 1998

[54] COMBINED LOUDSPEAKER AND STAND WITH SUBWOOFER

D. 352,038 11/1994 Kobayashi D14/215
4,932,060 6/1990 Schreiber 181/145 X

[75] Inventors: **Knut T. Fenner**, Westfield; **Richard Gioscia**, Mahwah; **Keiichi Totsuka**, Weehawken, all of N.J.

OTHER PUBLICATIONS

Video Review, p. 45, Bose speakers, Jun. 1987.
Stereo Review, back cover, B&W speaker, Apr. 1988.

[73] Assignees: **Sony Corporation**, Tokyo, Japan; **Sony America**, New York, N.Y.

Primary Examiner—Ted Shooman
Assistant Examiner—Nanda Bondade
Attorney, Agent, or Firm—Jay H. Maioli

[**] Term: 14 Years

[57] CLAIM

[21] Appl. No.: 71,174

The ornamental design for a combined loudspeaker and stand with subwoofer, as shown and described.

[22] Filed: May 22, 1997

DESCRIPTION

[51] LOC (6) Cl. 14-01

[52] U.S. Cl. D14/214; D14/211; D14/224

[58] Field of Search D14/204, 207-216,
D14/219, 224; 181/144, 145, 147, 148,
150, 157, 198, 199; 381/24, 88, 90, 153,
159, 186, 188, 203, 205

FIG. 1 is a top, front and right-side perspective view of a combined loudspeaker and stand with subwoofer showing our new design;

FIG. 2 is a front elevational view thereof;

FIG. 3 is a rear elevational view thereof;

FIG. 4 is a right-side elevational view thereof, the left-side being a mirror image thereof; and,

FIG. 5 is a top plan view thereof, the bottom thereof being void of ornamentation.

[56] References Cited

U.S. PATENT DOCUMENTS

D. 342,255 12/1993 Ito D14/211 X
D. 347,225 5/1994 Lowy et al. D14/211

1 Claim, 5 Drawing Sheets

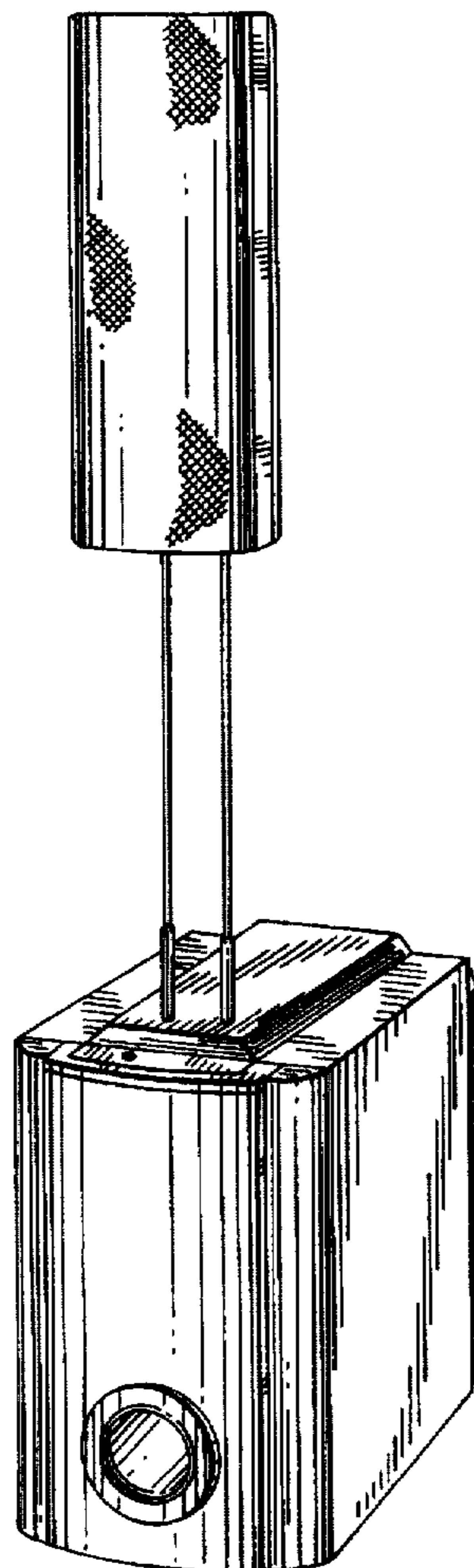
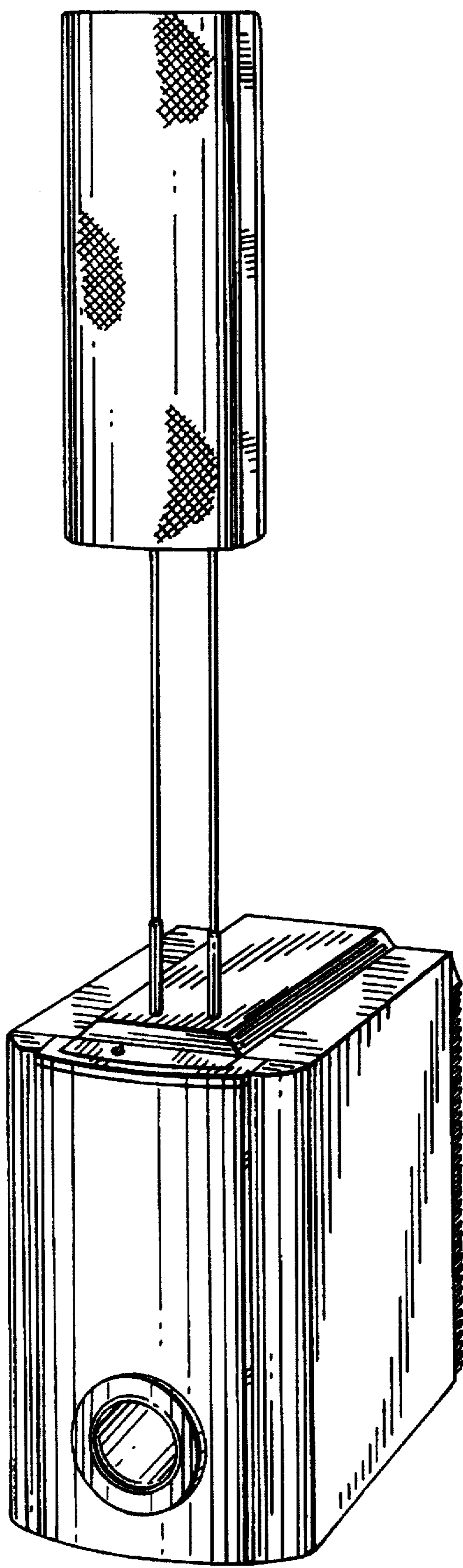


FIG. 1



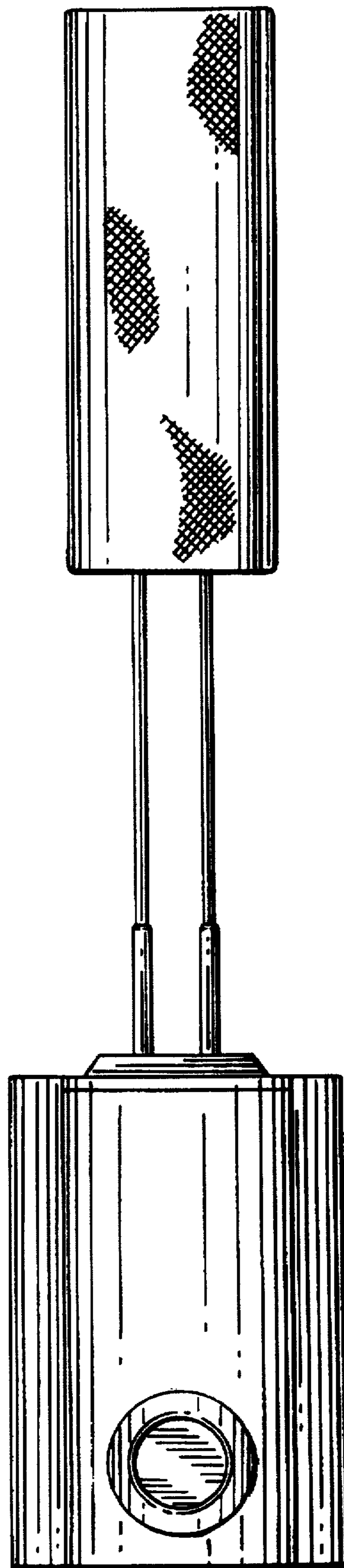


FIG. 2

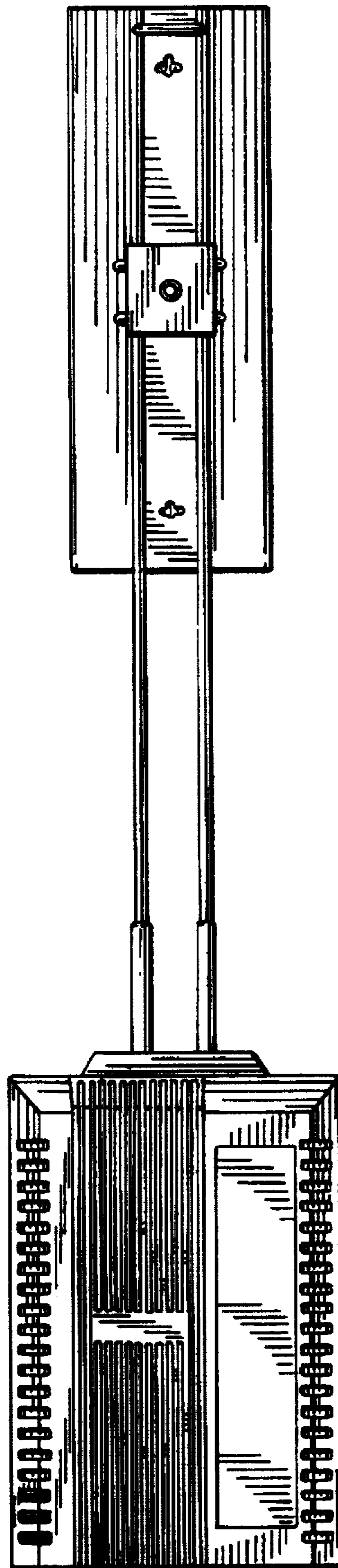
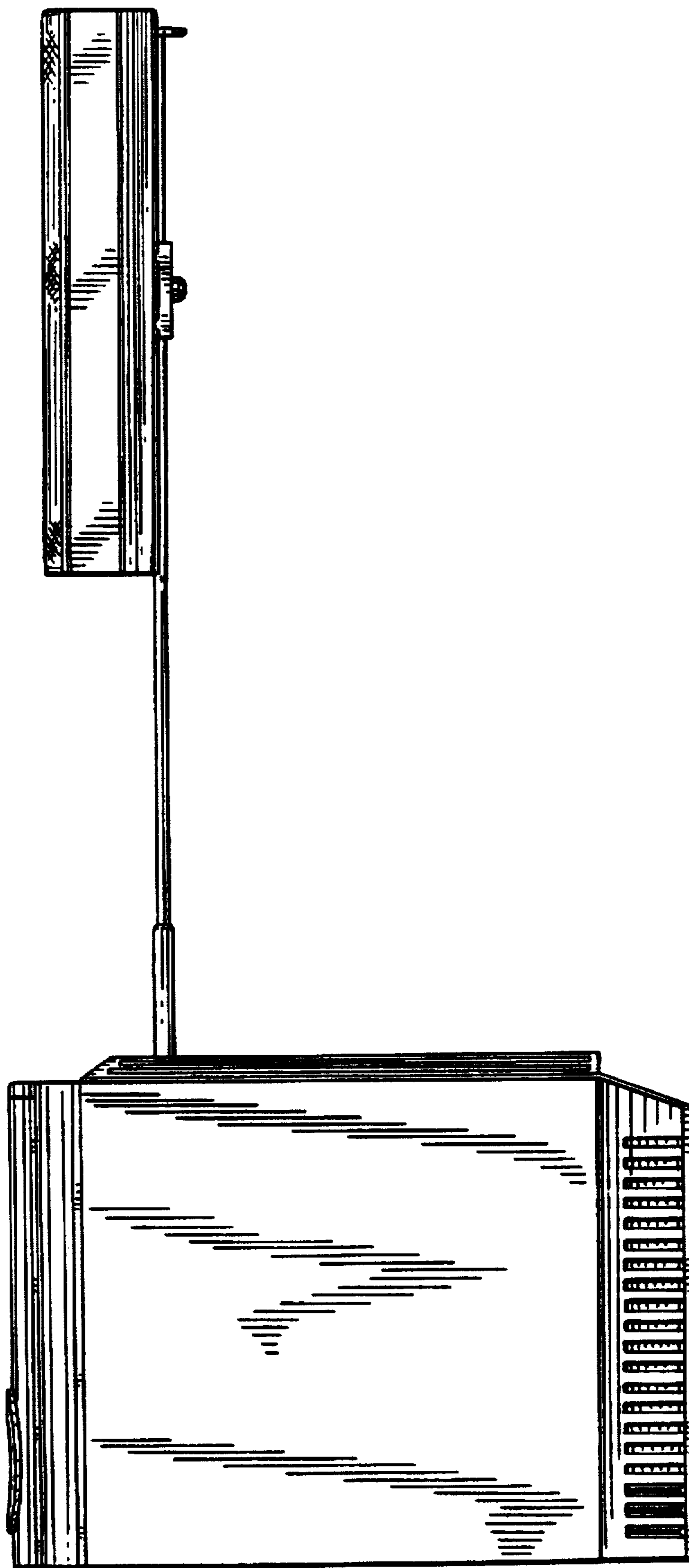


FIG. 3

FIG. 4



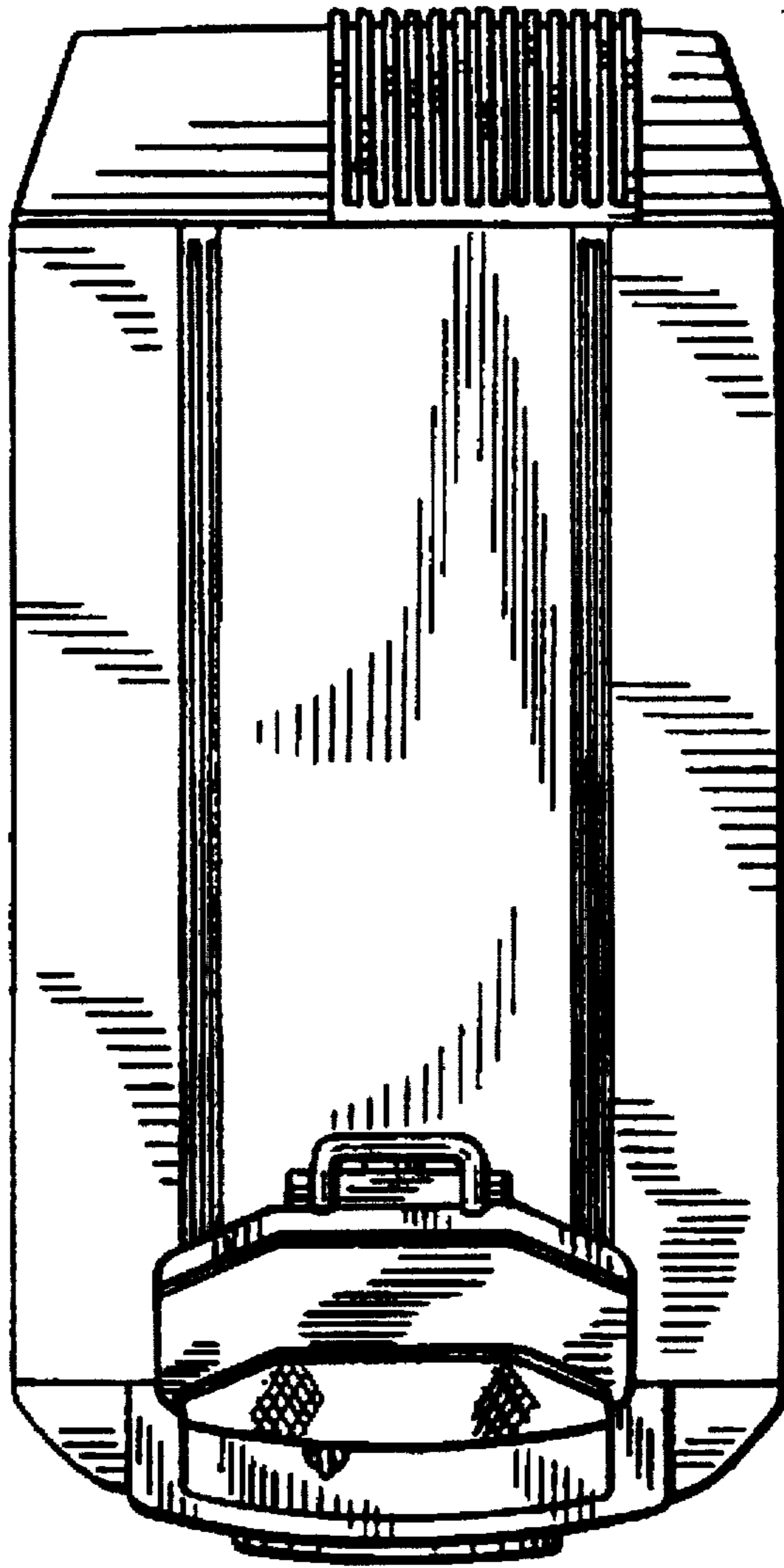


FIG. 5