

US00D392972S

# United States Patent [19]

Vogel et al.

[11] Patent Number: Des. 392,972

[45] Date of Patent: \*\*Mar. 31, 1998

[54] SET OF LOUDSPEAKER ENCLOSURES

[75] Inventors: **Lorrie Vogel**, Houston, Tex.; **Jonathan Scheiner**, Topanga; **John Arbak**, Ventura, both of Calif.

[73] Assignee: **Gateway 2000, Inc.**, North Sioux City, S. Dak.

[\*\*] Term: 14 Years

[21] Appl. No.: 60,579

[22] Filed: Oct. 1, 1996

[51] LOC (6) Cl. .... 14-01

[52] U.S. Cl. .... D14/214

[58] Field of Search ..... D14/204, 207-216; 181/144, 145, 147, 148, 157, 198, 199; 381/24, 88, 90-91, 153, 159, 186, 188

[56] **References Cited**

**U.S. PATENT DOCUMENTS**

D. 318,054 7/1991 Kikutani ..... D14/214

D. 322,072 12/1991 Yamamoto ..... D14/211 X  
D. 359,050 6/1995 Deguchi ..... D14/215 X  
D. 363,485 10/1995 Pierce ..... D14/214  
4,805,730 2/1989 O'Neill et al. .... 181/153 X

*Primary Examiner*—Ted Shooman

*Assistant Examiner*—Nanda Bondade

*Attorney, Agent, or Firm*—Schwegman, Lundberg, Woessner & Kluth, P.A.

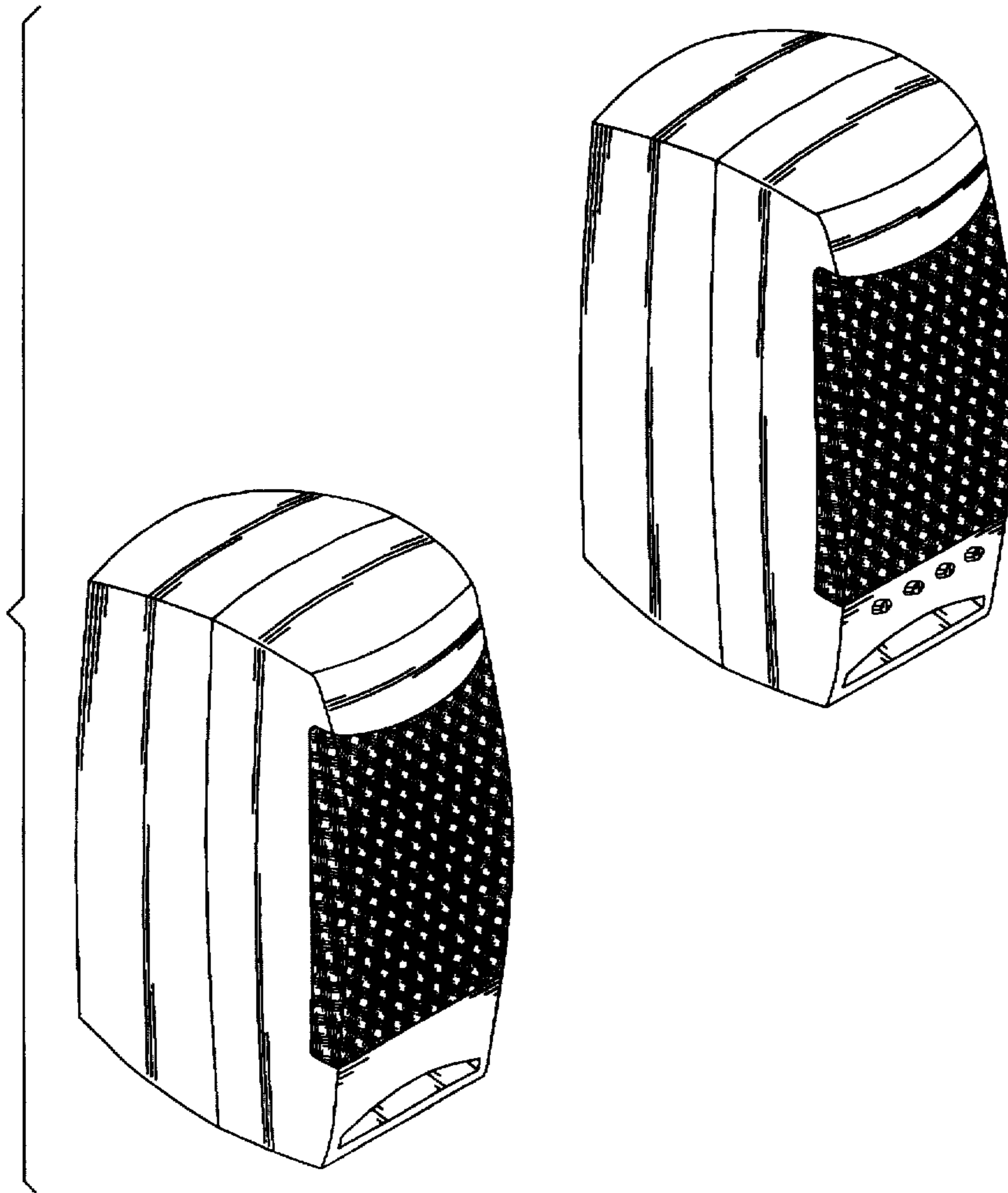
[57] **CLAIM**

The ornamental design for a set of loudspeaker enclosures, as shown.

**DESCRIPTION**

FIG. 1 is a front right front perspective view of a set of loudspeaker enclosures incorporating the new design; FIG. 2 is an enlarged elevation thereof; FIG. 3 is a bottom plan thereof; and, FIG. 4 is a left side elevation thereof;

1 Claim, 4 Drawing Sheets



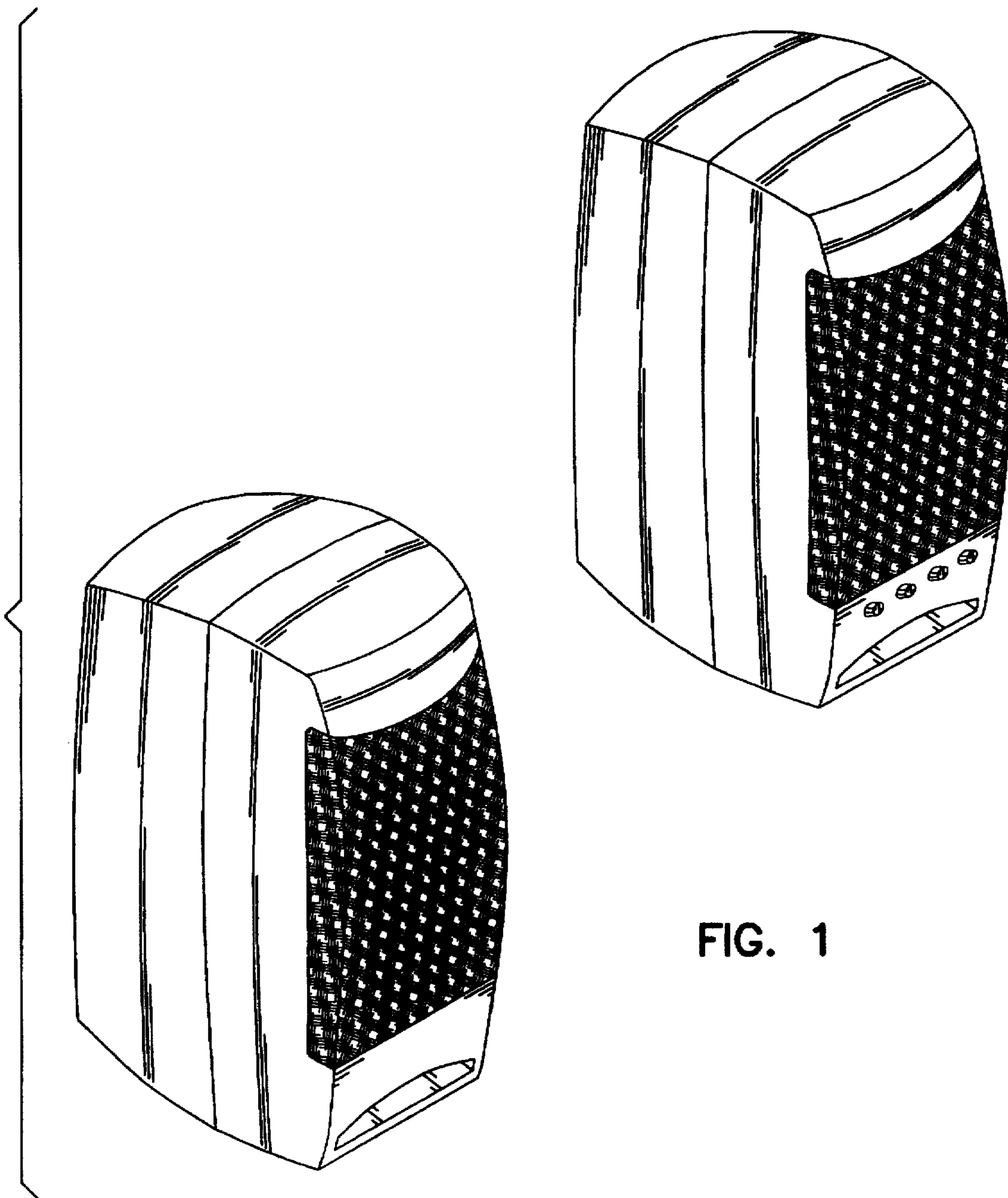


FIG. 1

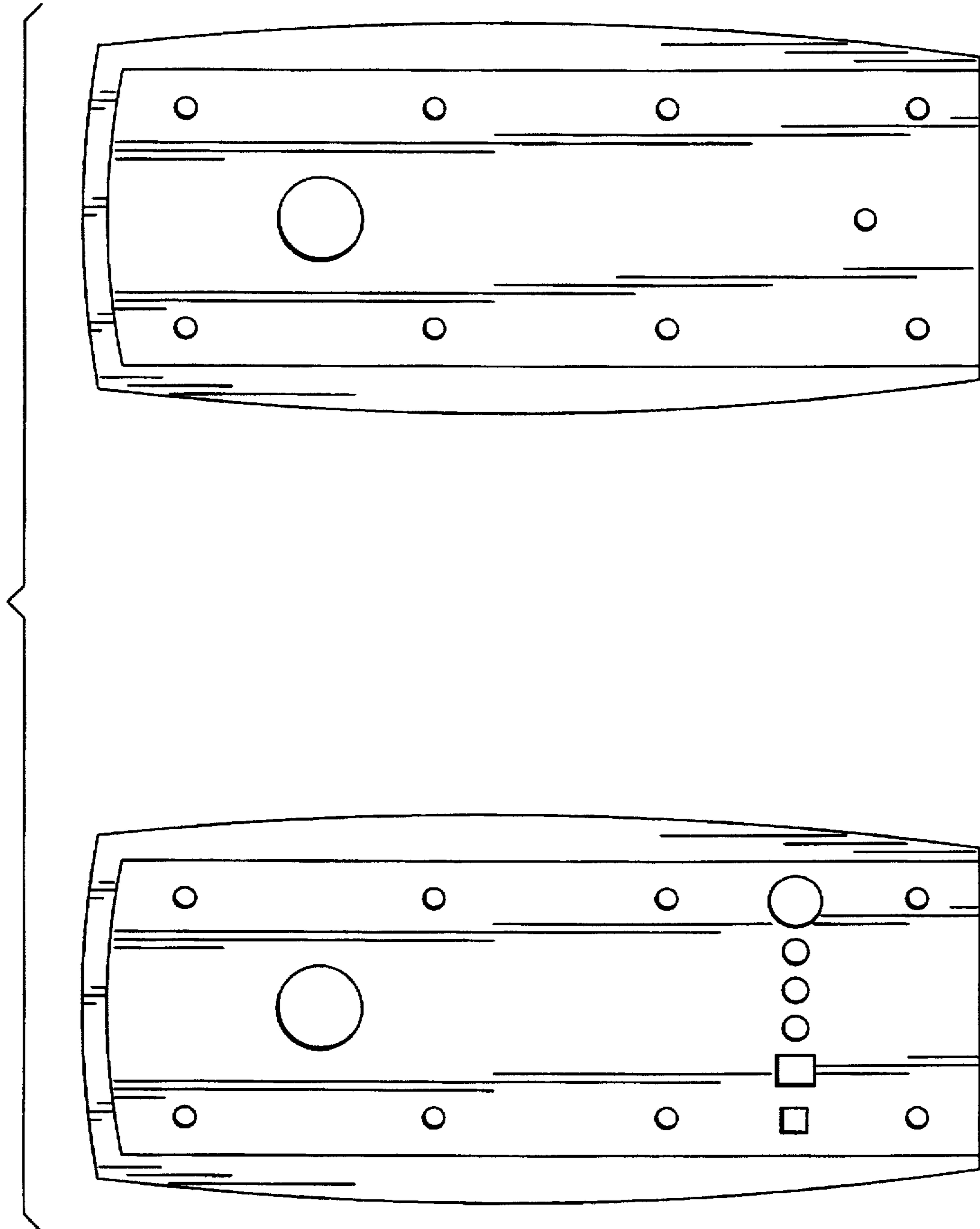


FIG. 2

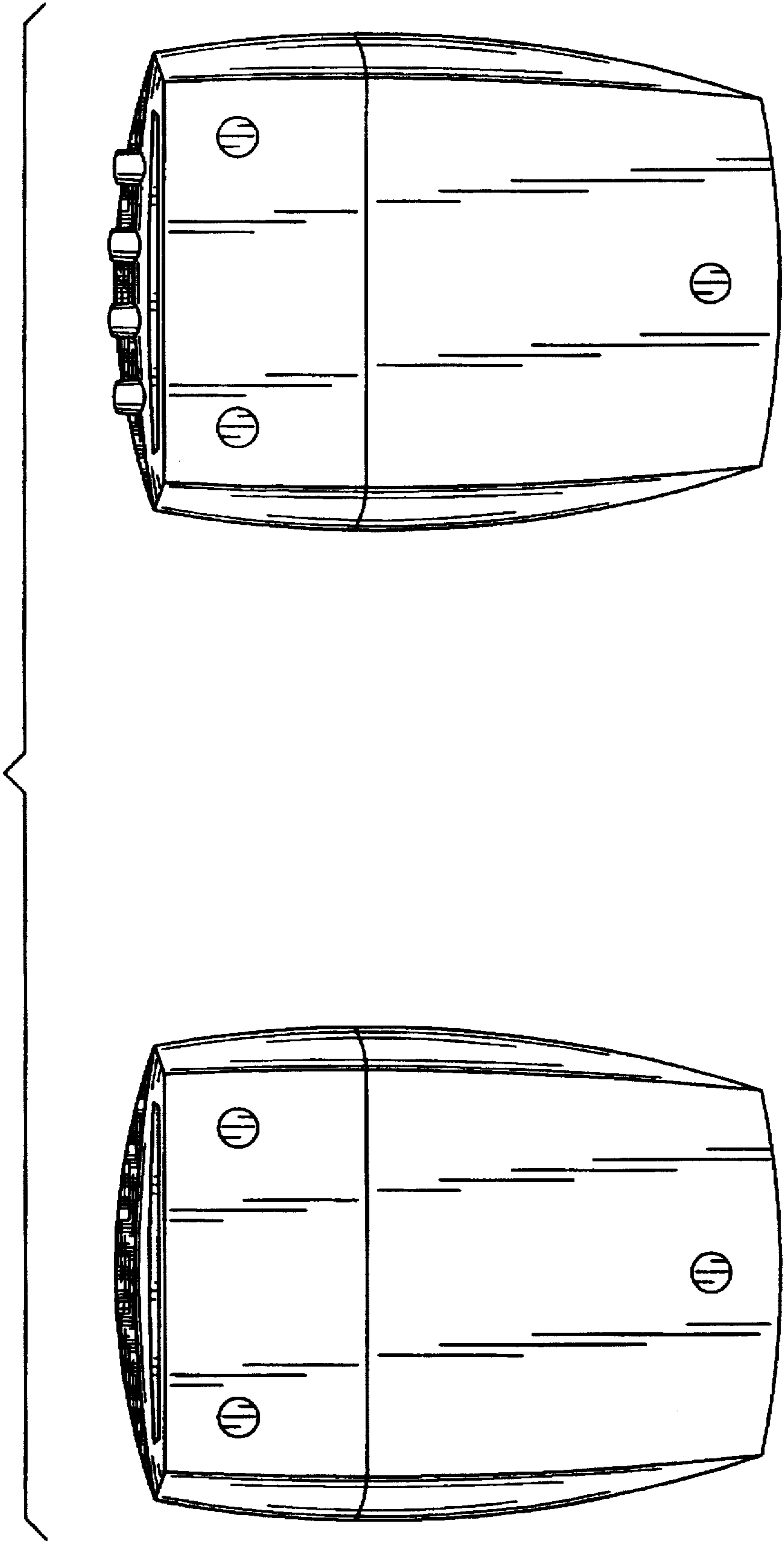


FIG. 3

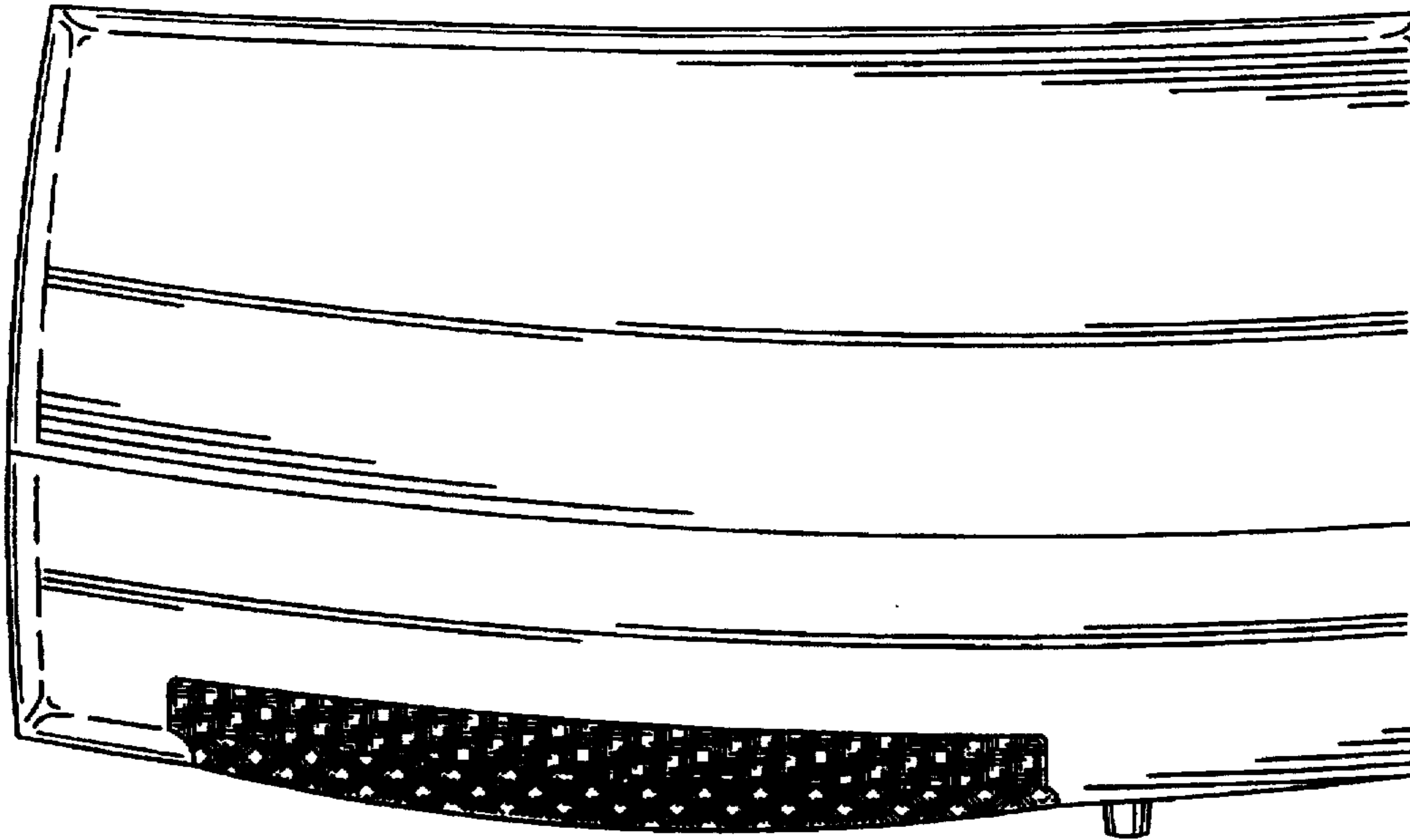


FIG. 4