



US00D392970S

**United States Patent** [19]  
**Guthan, Jr.**

[11] **Patent Number: Des. 392,970**  
[45] **Date of Patent: \*\*Mar. 31, 1998**

[54] **COMBINED DISPLAY AND BUTTON FOR PORTABLE COMMUNICATION RECEIVER**

[75] **Inventor: Donald Charles Guthan, Jr., Boynton Beach, Fla.**

[73] **Assignee: Motorola, Inc., Schaumburg, Ill.**

[\*\*] **Term: 14 Years**

[21] **Appl. No.: 57,274**

[22] **Filed: Jul. 22, 1996**

[51] **LOC (6) Cl. .... 14-03**

[52] **U.S. Cl. .... D14/191**

[58] **Field of Search .... D14/124, 143, D14/188, 191, 192, 247, 299; D10/46, 46.1, 94; D21/13, 28, 48; 340/311.1; 455/90, 92, 100, 128, 344; 116/202, 222-225, 234, 286**

[56] **References Cited**

**U.S. PATENT DOCUMENTS**

D. 259,265	5/1981	Heuel et al. ....	D21/13
D. 262,718	1/1982	Dweck ....	D21/13
D. 264,228	5/1982	Hanzawa ....	D21/13
D. 264,355	5/1982	Hanzawa ....	D21/13

D. 305,429	1/1990	Berkheij .....	D14/191
D. 332,804	1/1993	Li .....	D21/13
D. 366,839	2/1996	Lloyd et al. ....	D10/46.1
3,755,939	9/1973	Denega et al. ....	D10/46.1 X

*Primary Examiner*—Ted Shooman  
*Assistant Examiner*—Nanda Bondade

[57] **CLAIM**

The ornamental design for a combined display and button for portable communication receiver, as shown and described.

**DESCRIPTION**

FIG. 1 is a front elevational view of a combined display and button for portable communication receiver showing my new design;

FIG. 2 is a bottom plan view thereof;

FIG. 3 is a top plan view thereof;

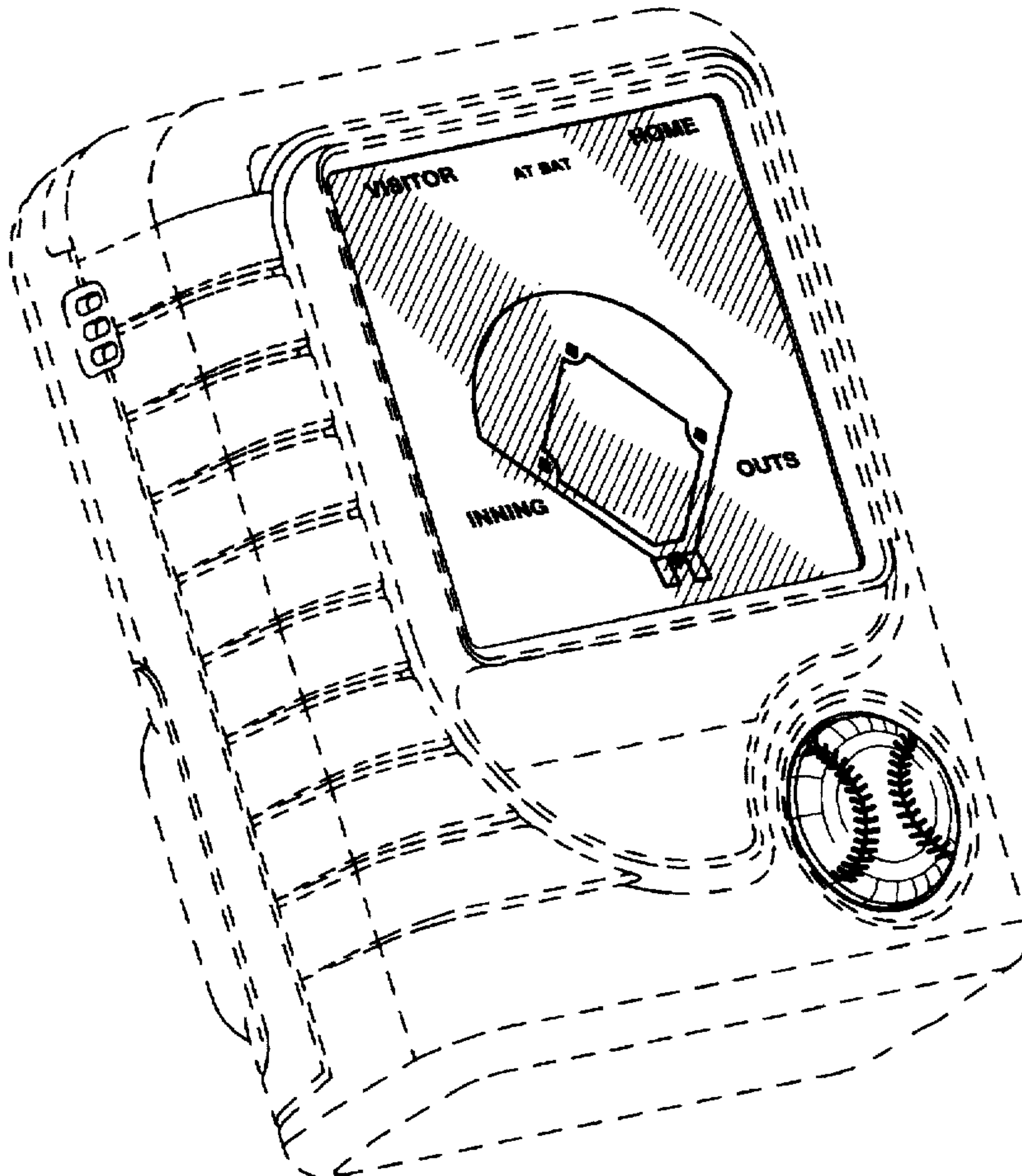
FIG. 4 is a left side elevational view thereof;

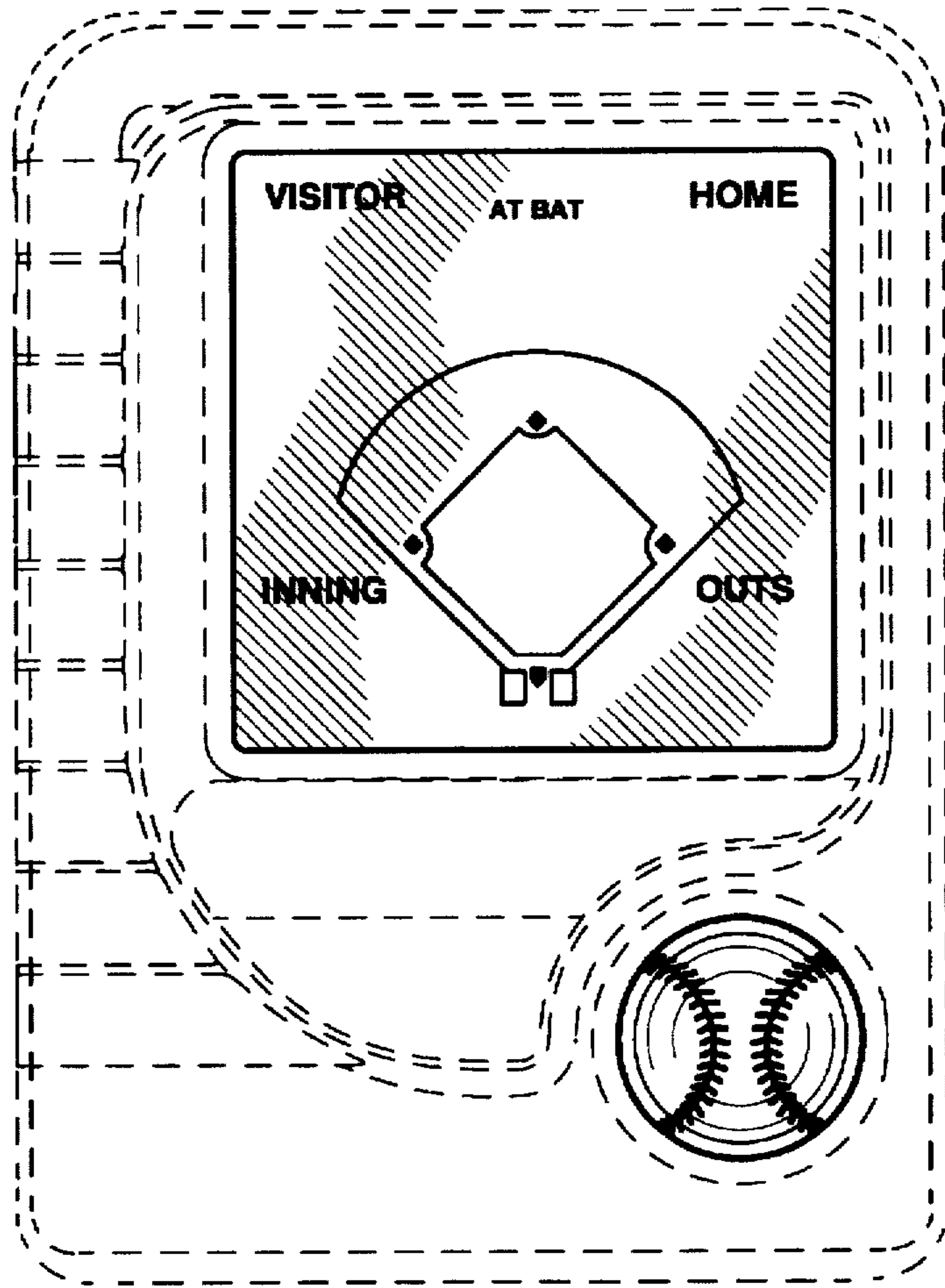
FIG. 5 is a right side elevational view thereof; and,

FIG. 6 is a front, left side and bottom perspective view thereof.

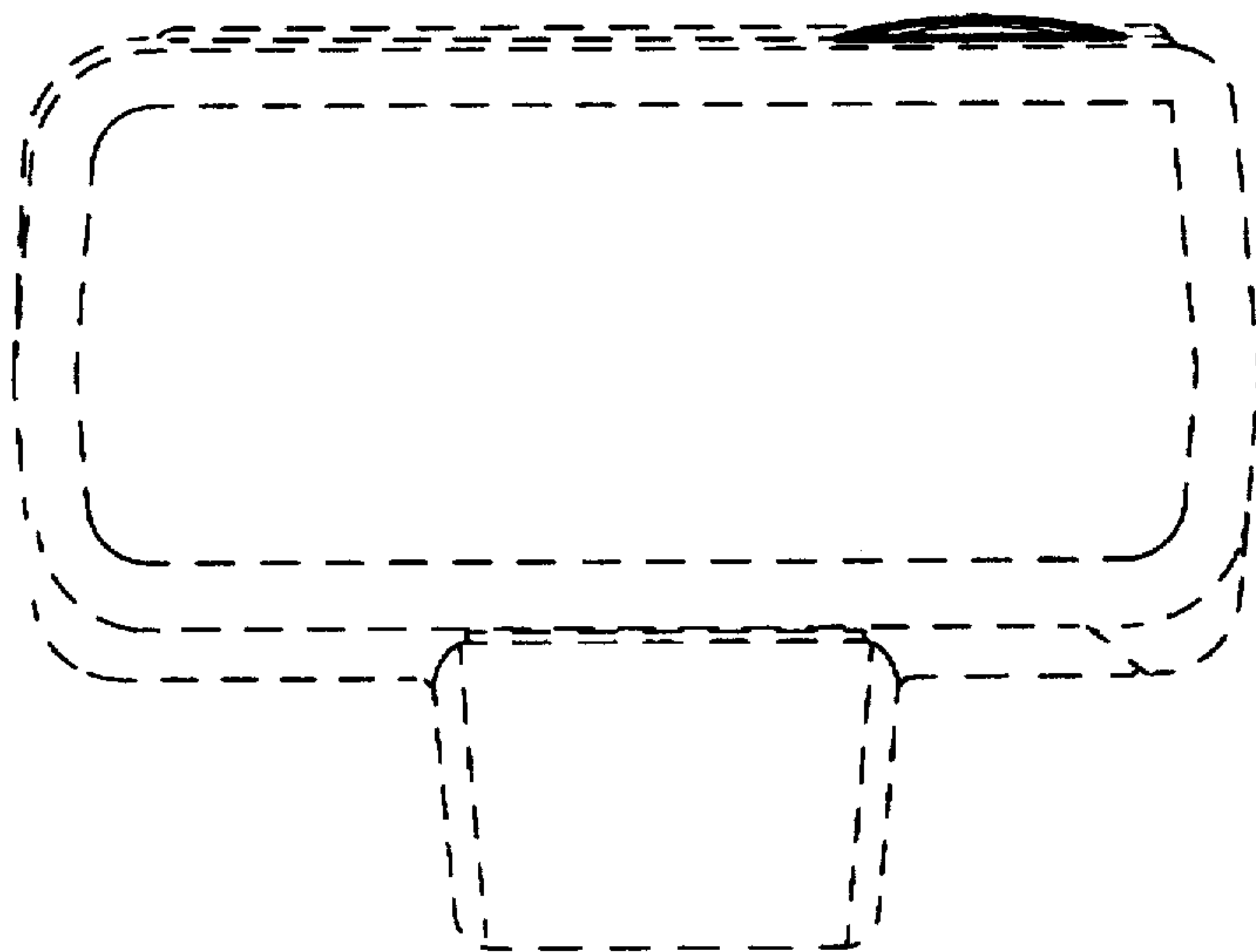
The broken lines showing a portable communications receiver environment in FIGS. 1-6 are for illustrative purposes only and form no part of the claimed design.

**1 Claim, 4 Drawing Sheets**

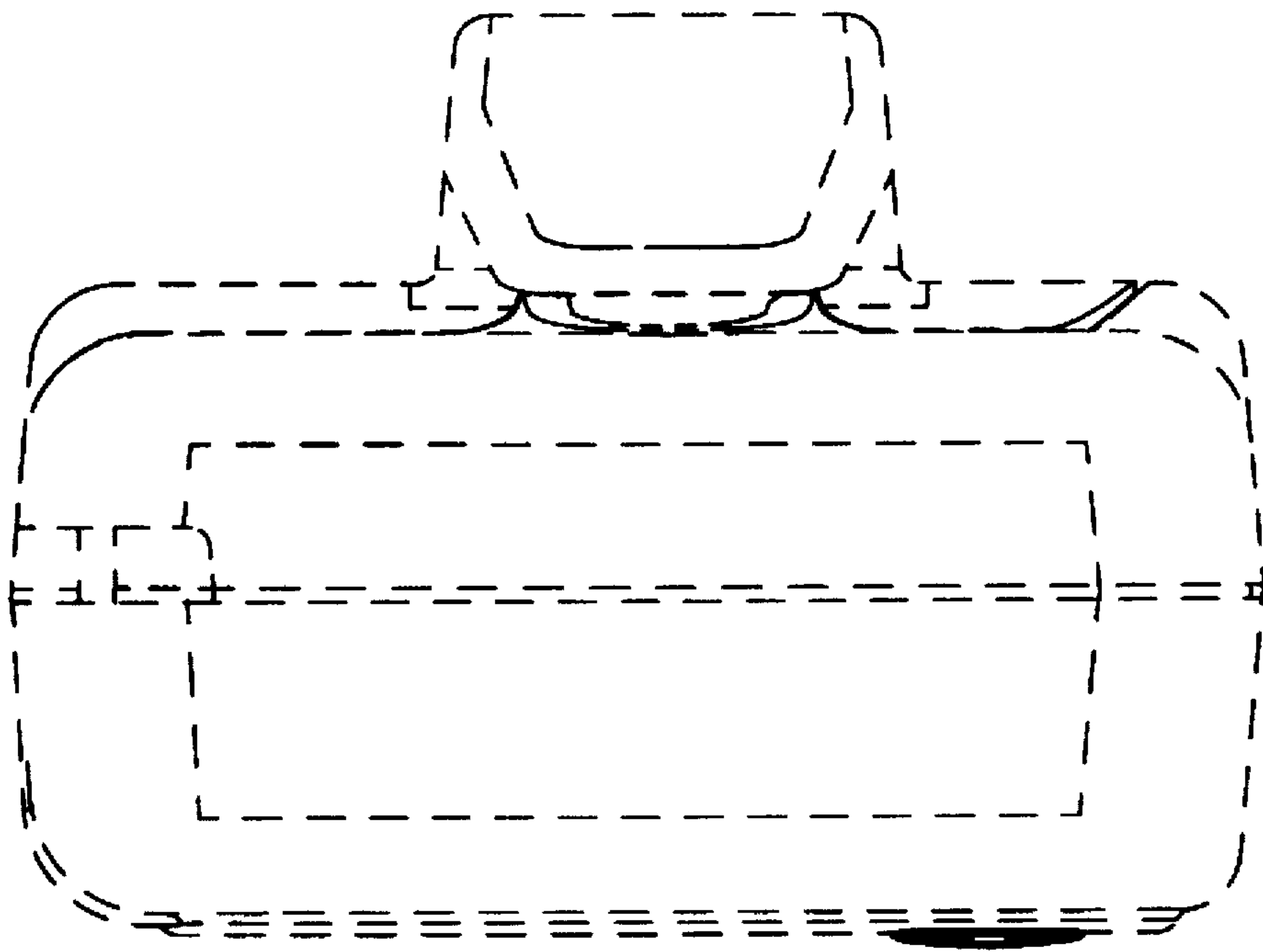




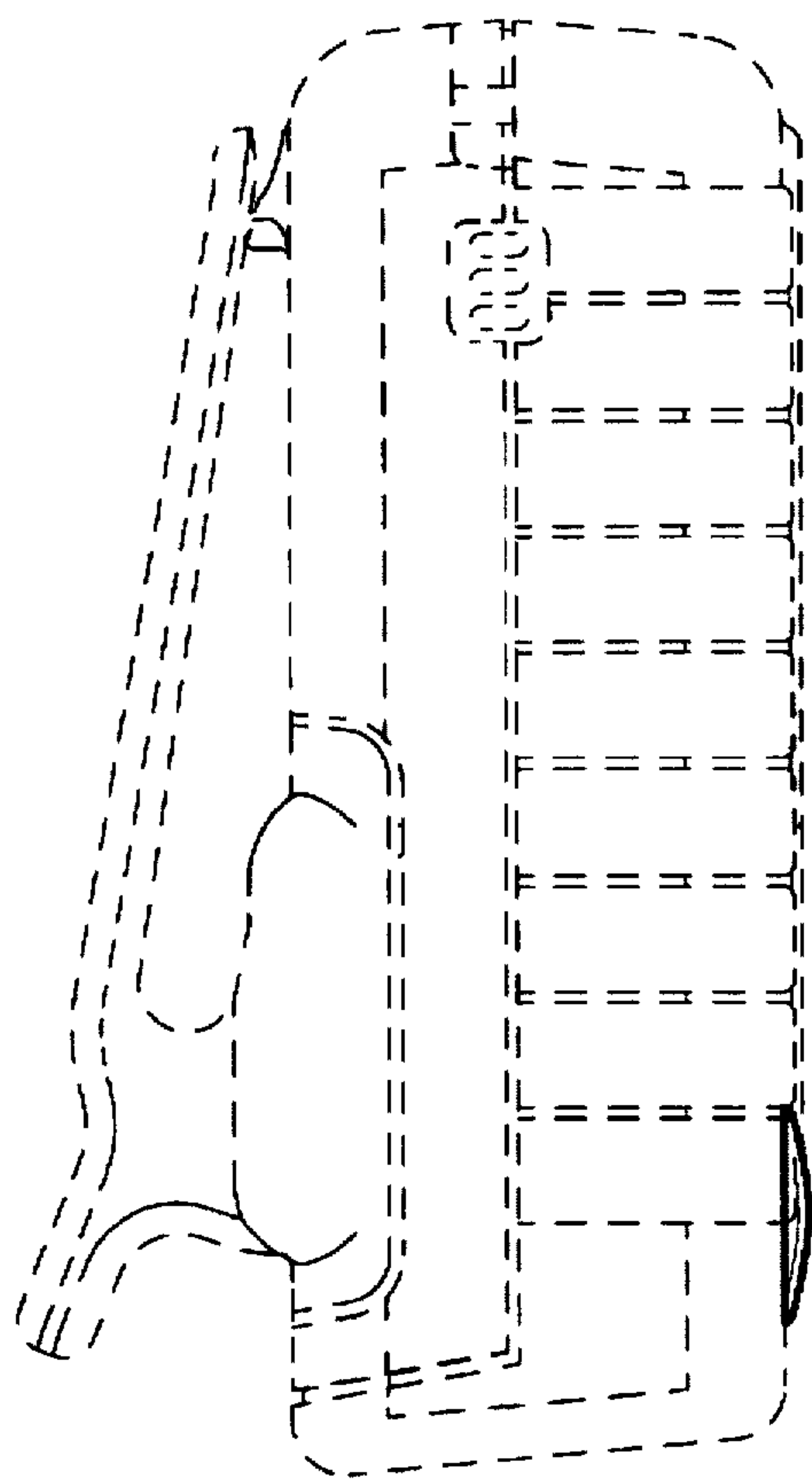
*FIG. 1*



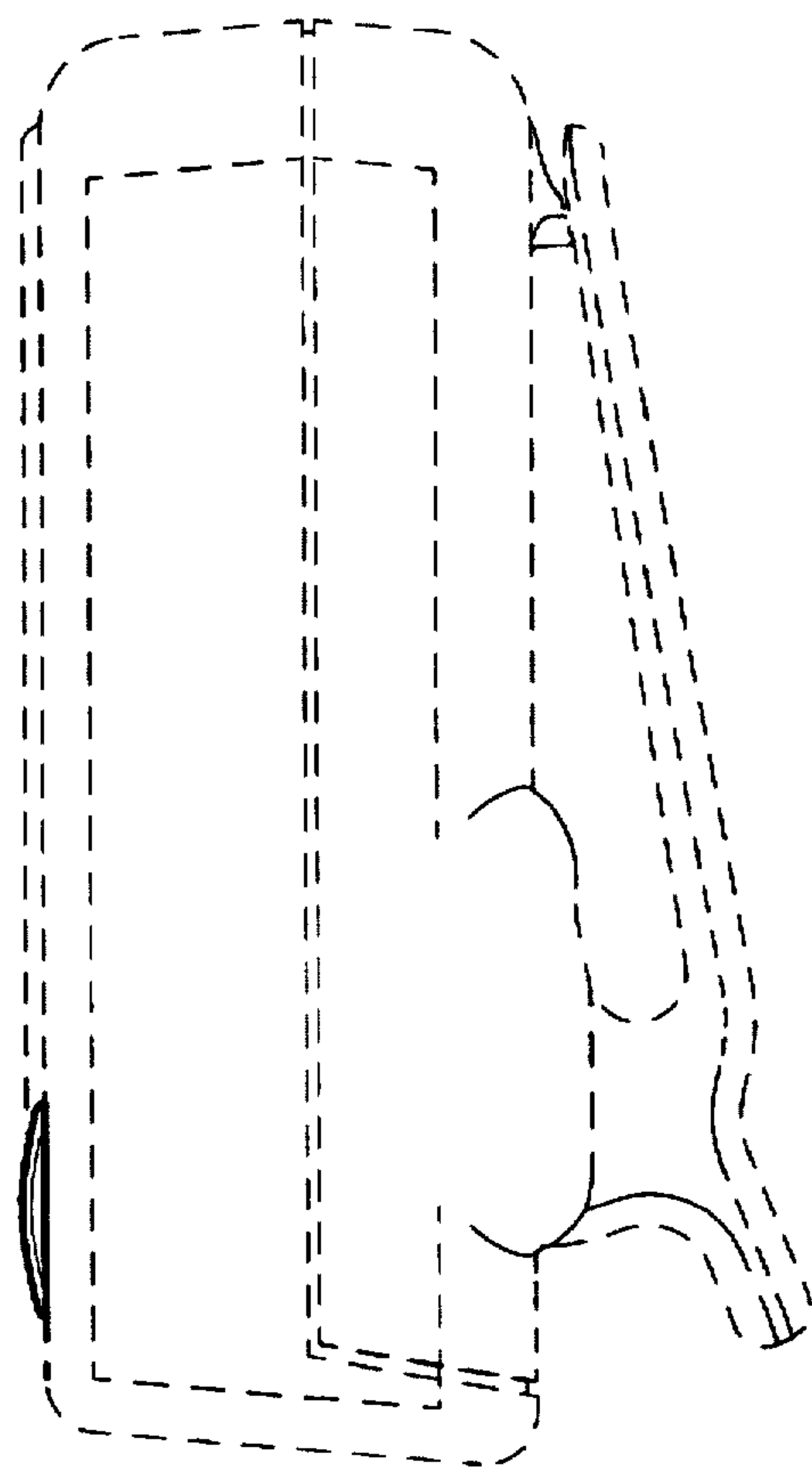
*FIG. 2*



***FIG. 3***

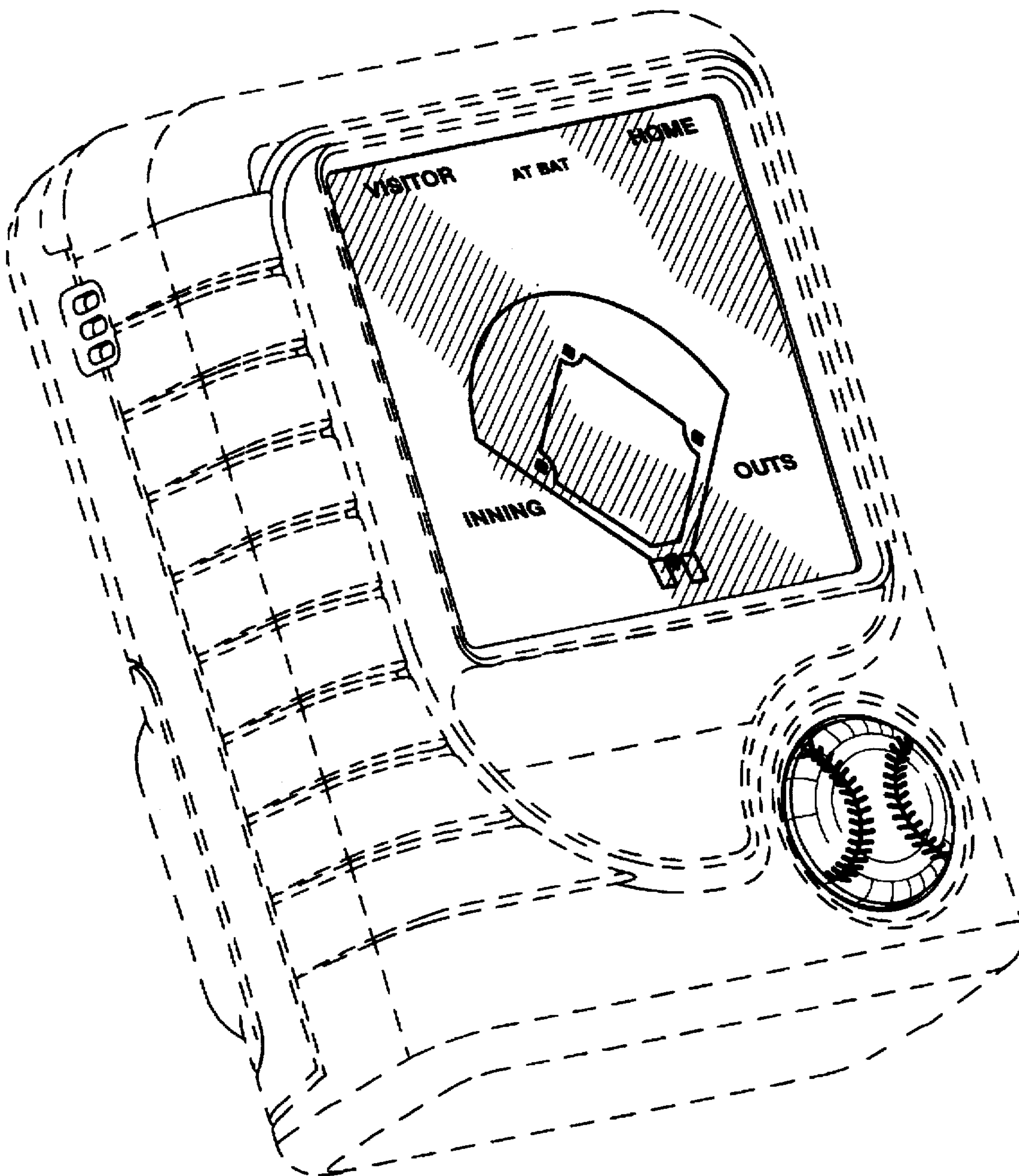


*FIG. 4*



*FIG. 5*





**FIG. 6**