



US00D392966S

United States Patent [19]

Lee et al.

[11] Patent Number: Des. 392,966

[45] Date of Patent: **Mar. 31, 1998

[54] VIDEO CASSETTE RECORDER

[75] Inventors: Myun Woo Lee, Seoul; Ja Ryung Koo, Kyunggi-do; Eui Jeong Kim; Jae Hyung Byun, both of Seoul, all of Rep. of Korea

[73] Assignee: LG Electronics, Inc., Seoul, Rep. of Korea

[**] Term: 14 Years

[21] Appl. No.: 44,174

[22] Filed: Sep. 19, 1995

[30] Foreign Application Priority Data

Mar. 22, 1995 [KR] Rep. of Korea 95-5043

[51] LOC (6) Cl. 14-01

[52] U.S. Cl. D14/135

[58] Field of Search D14/124, 135, D14/136, 156, 239, 299; 386/46, 81; 348/5

[56] References Cited

U.S. PATENT DOCUMENTS

D. 321,194 10/1991 Ito et al. D14/136 X

D. 339,123 9/1993 Kasama et al. D14/135
D. 345,970 4/1994 Kawamoto D14/239 X
D. 355,654 2/1995 Koulopoulos D14/188 X

Primary Examiner—Ted Shooman
Assistant Examiner—Richelle Shelton
Attorney, Agent, or Firm—Beveridge, DeGrandi, Weilacher & Young, L.L.P.

[57] CLAIM

The ornamental design for a video cassette recorder, as shown and described.

DESCRIPTION

FIG. 1 is a perspective view from the front, top and right side of a video cassette recorder showing our new design; FIG. 2 is a top plan view thereof; FIG. 3 is a front view thereof; FIG. 4 is a bottom plan view thereof; FIG. 5 is a rear view thereof; FIG. 6 is a right side elevational view thereof (a left side elevational view is a mirror image of the right side view); FIG. 7 is a perspective view from the front, top and right side thereof shown in use; and, FIG. 8 is a perspective view from the rear, top and left side thereof.

1 Claim, 3 Drawing Sheets

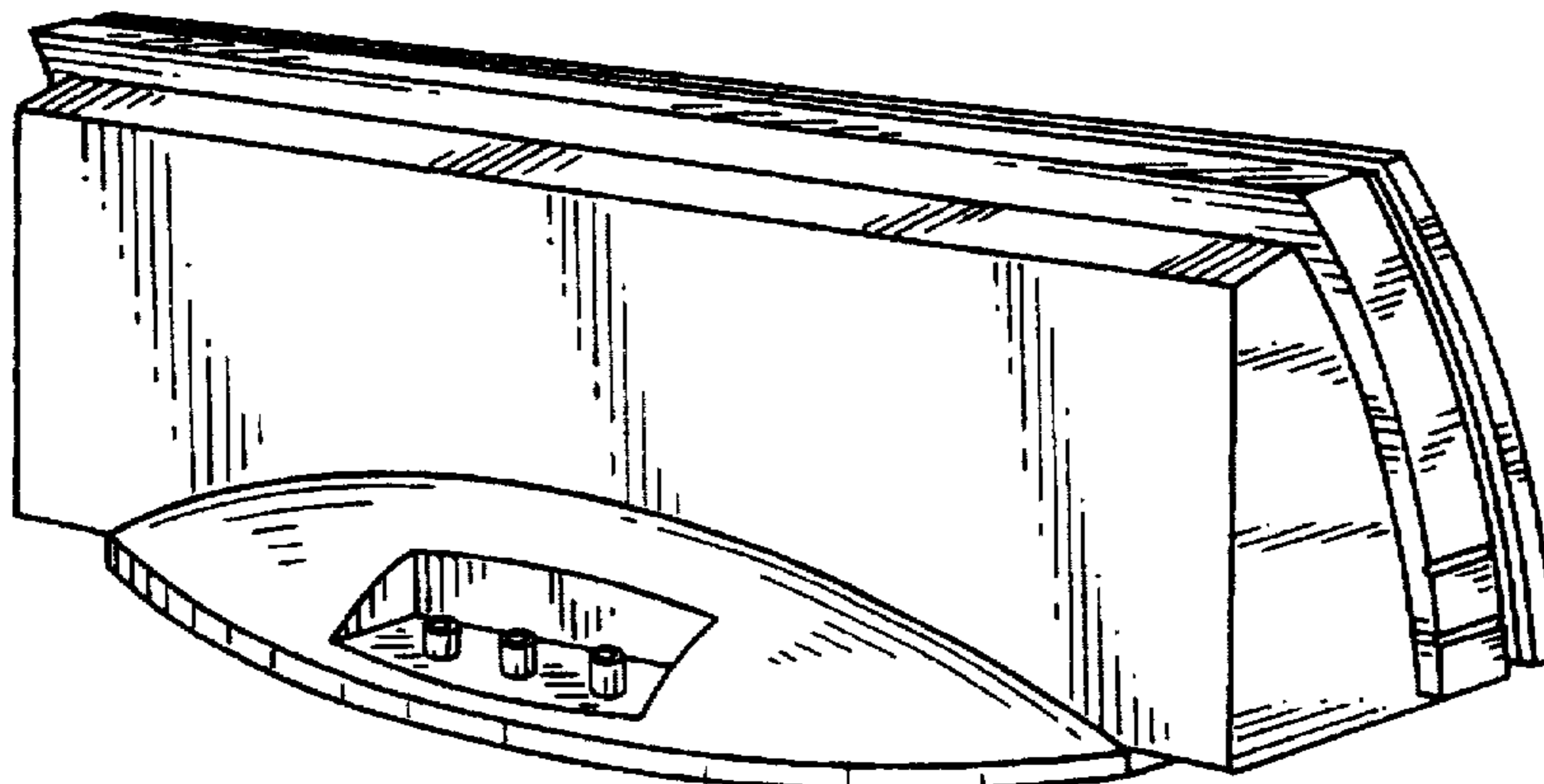
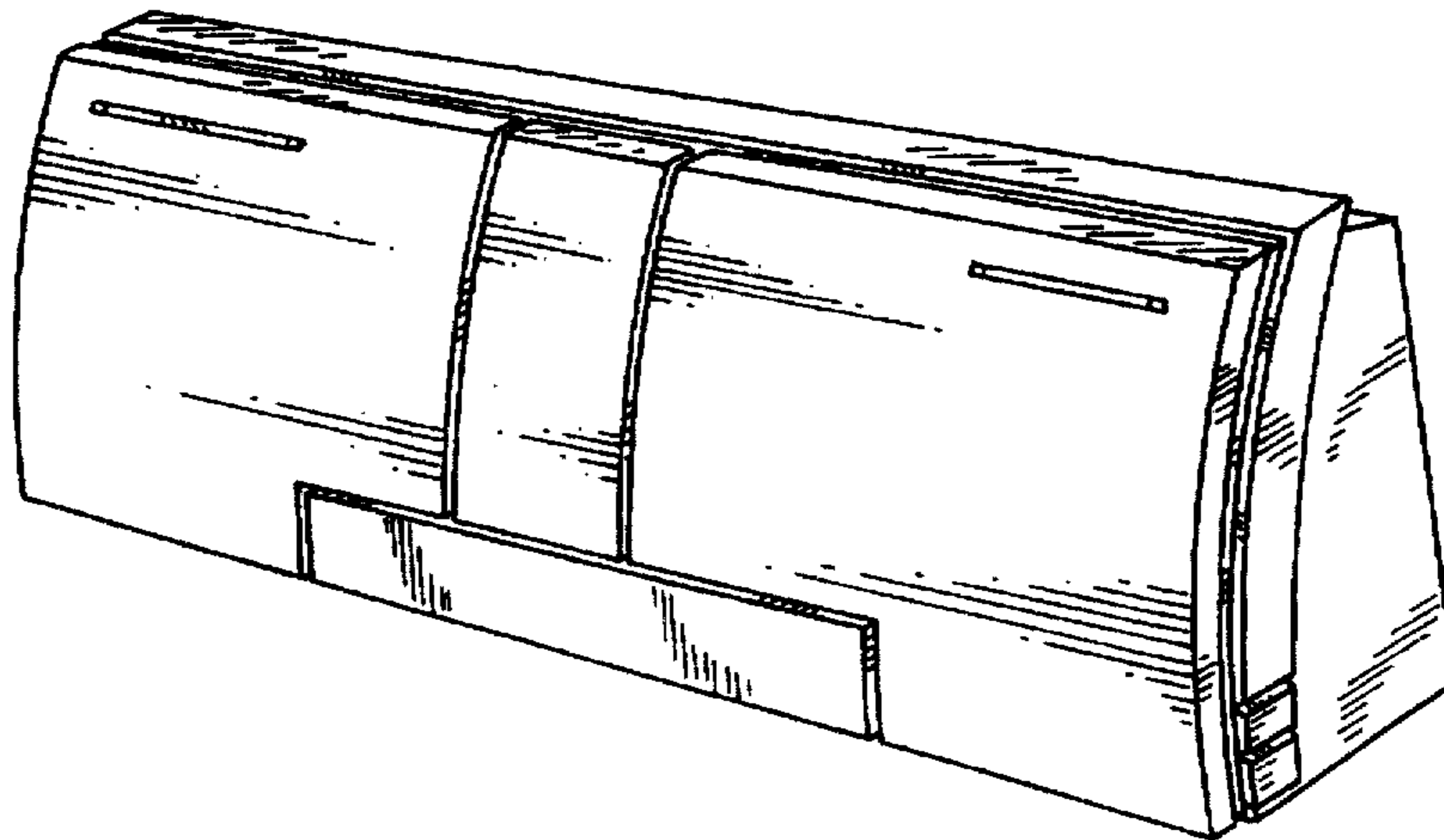


FIG. 1

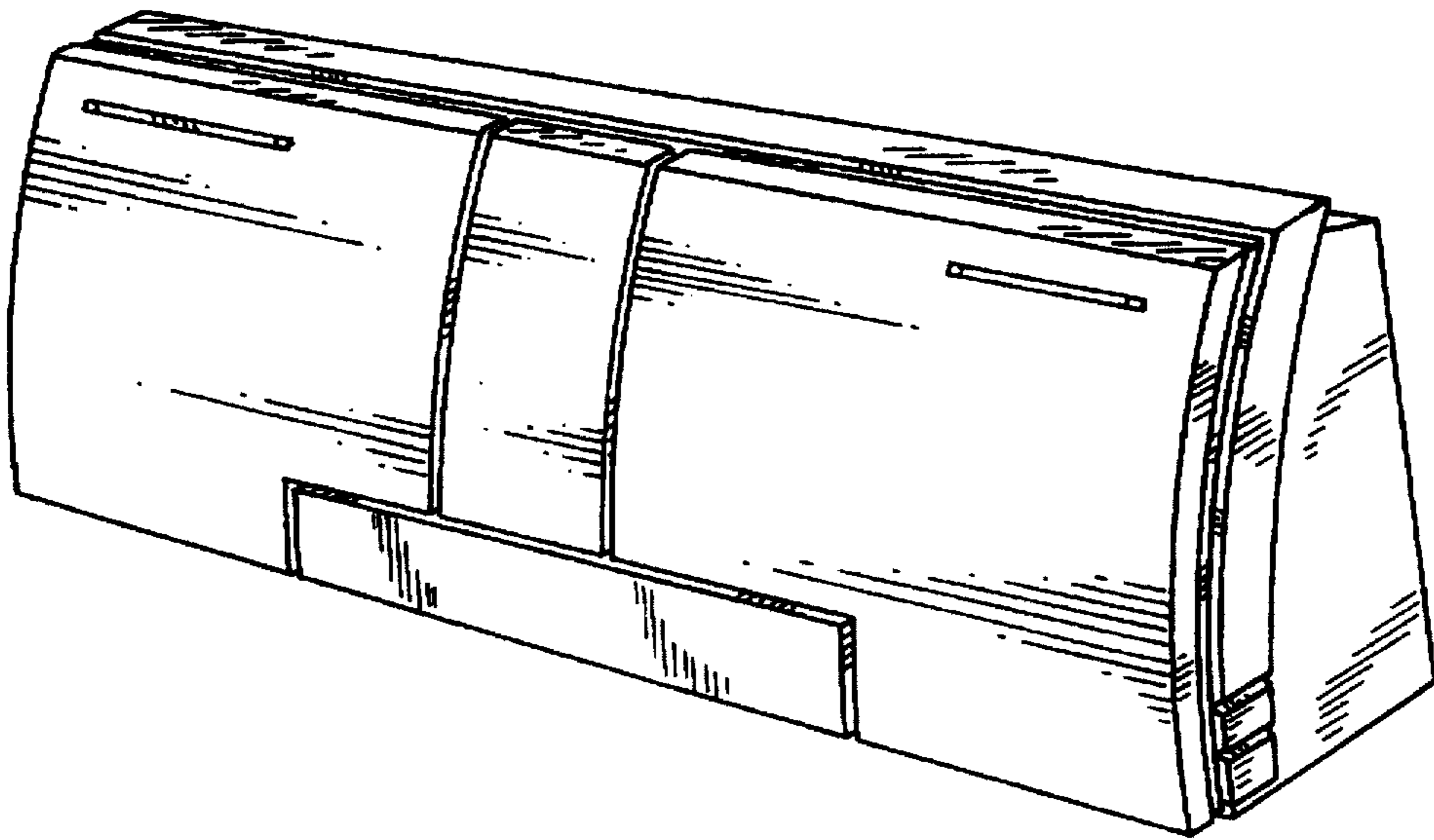


FIG. 2

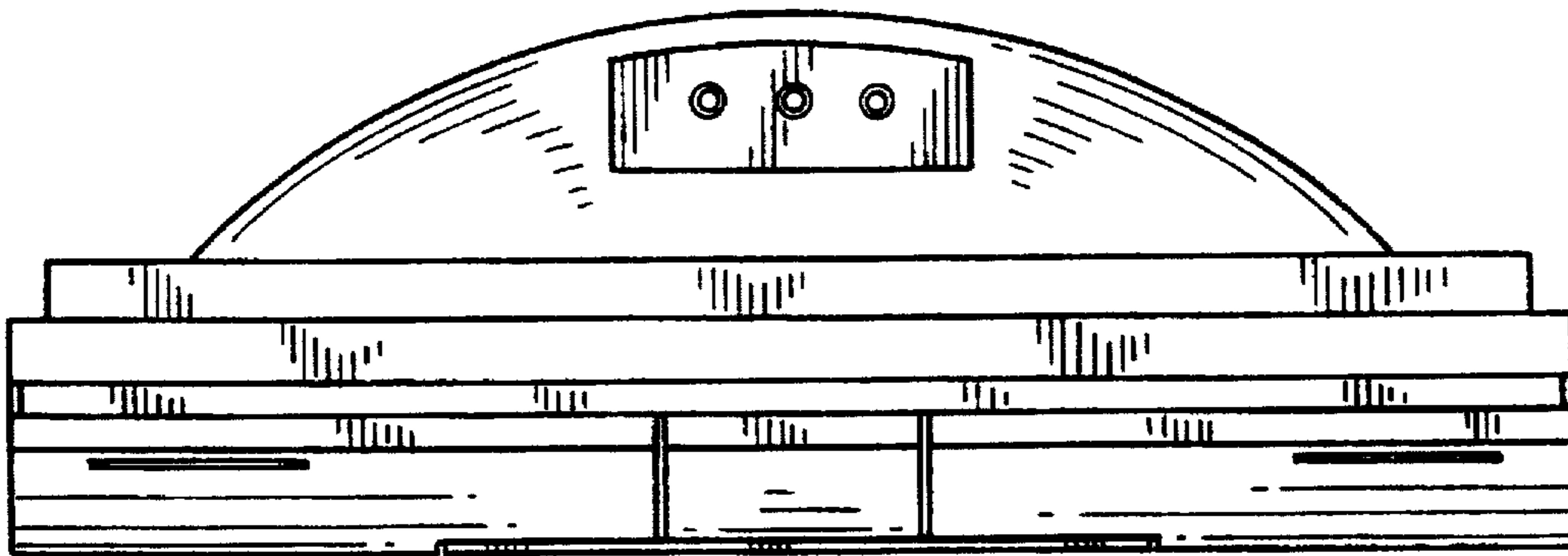
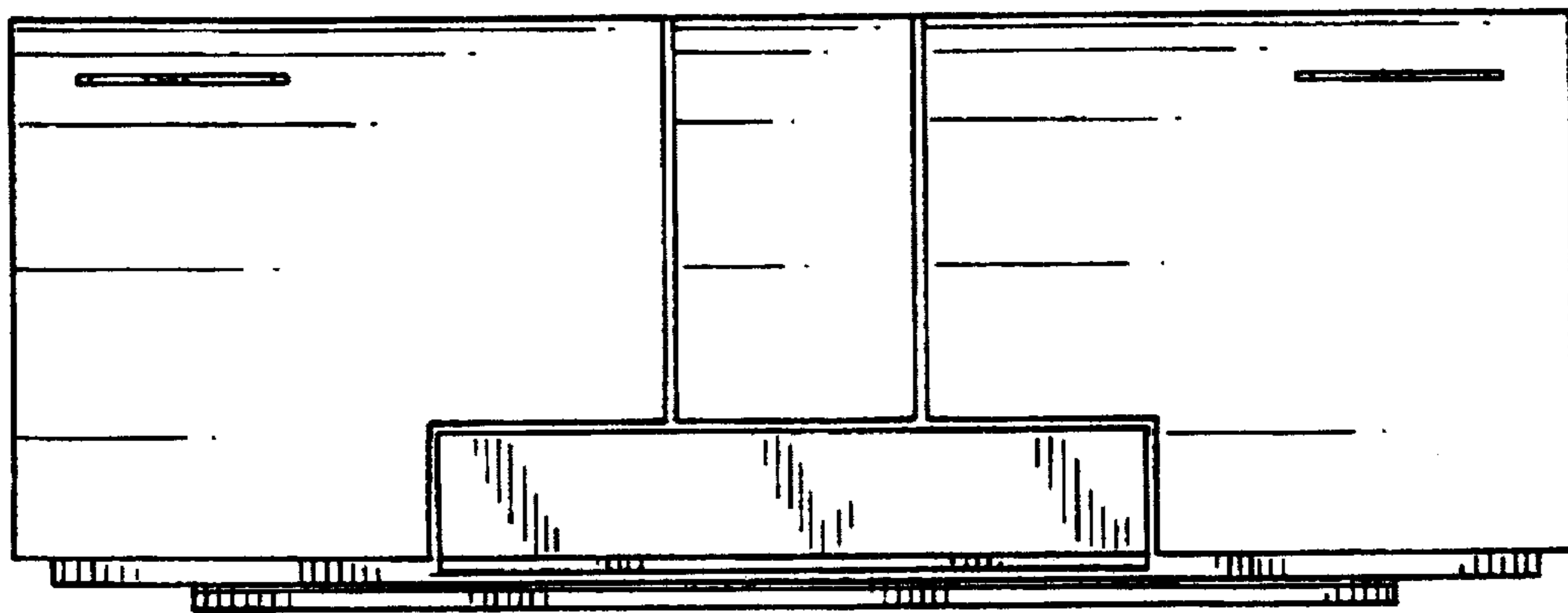


FIG. 3



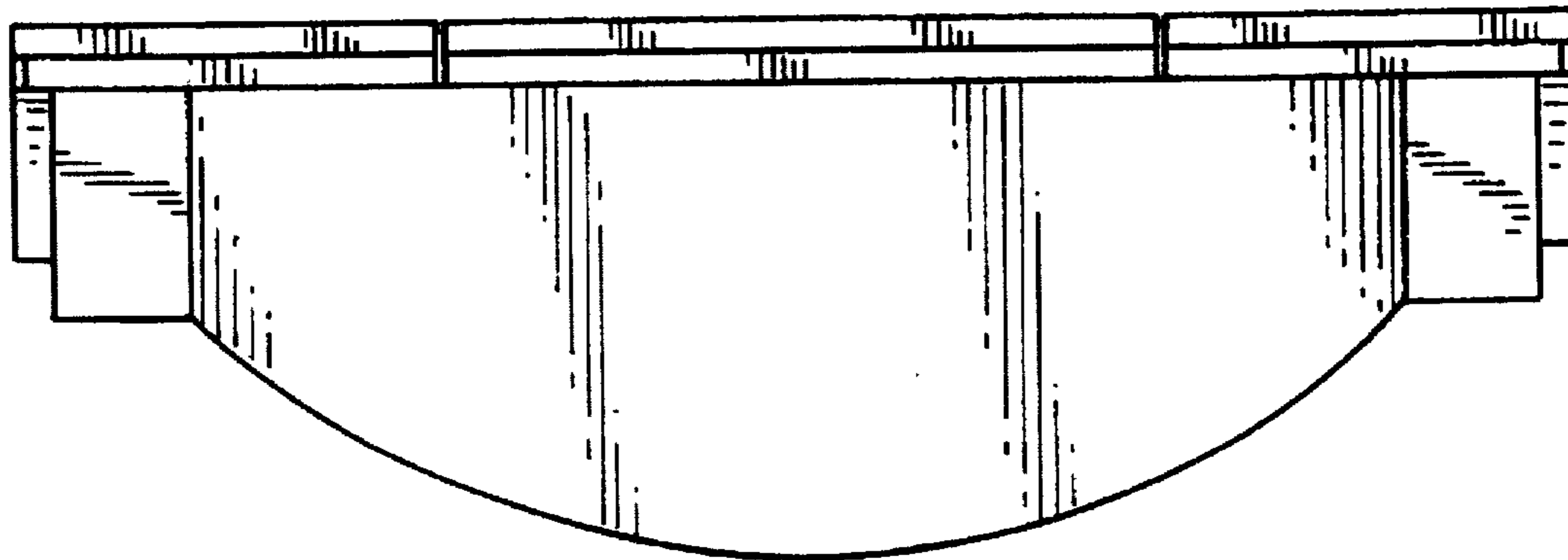


FIG. 4

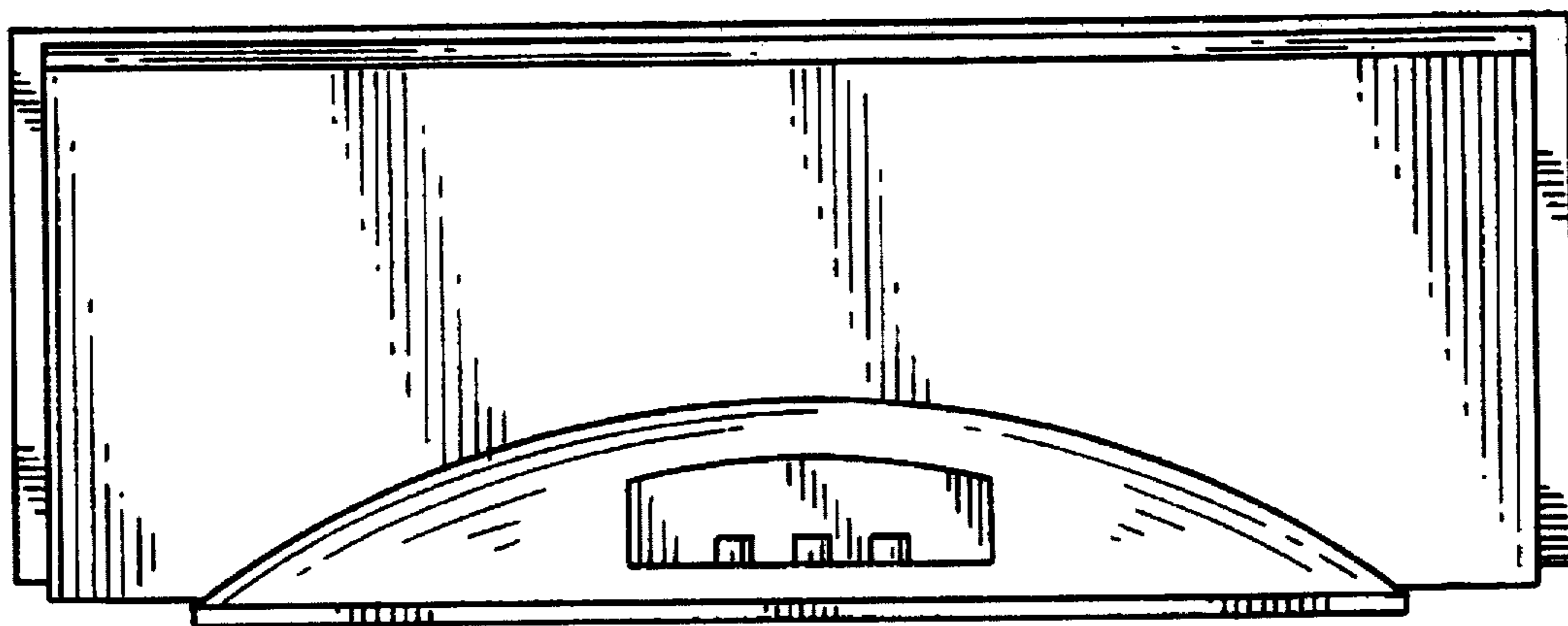


FIG. 5

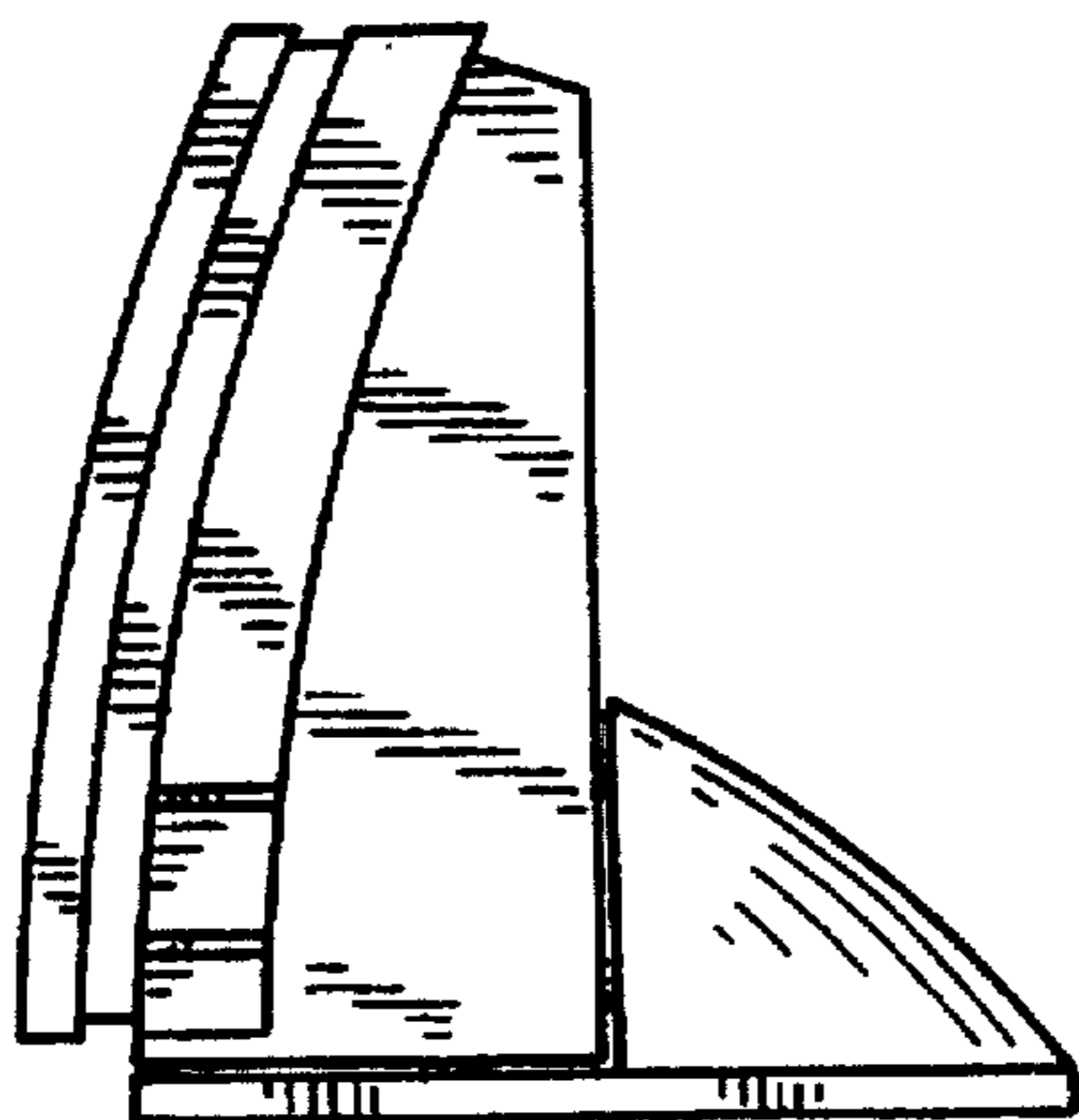


FIG. 6

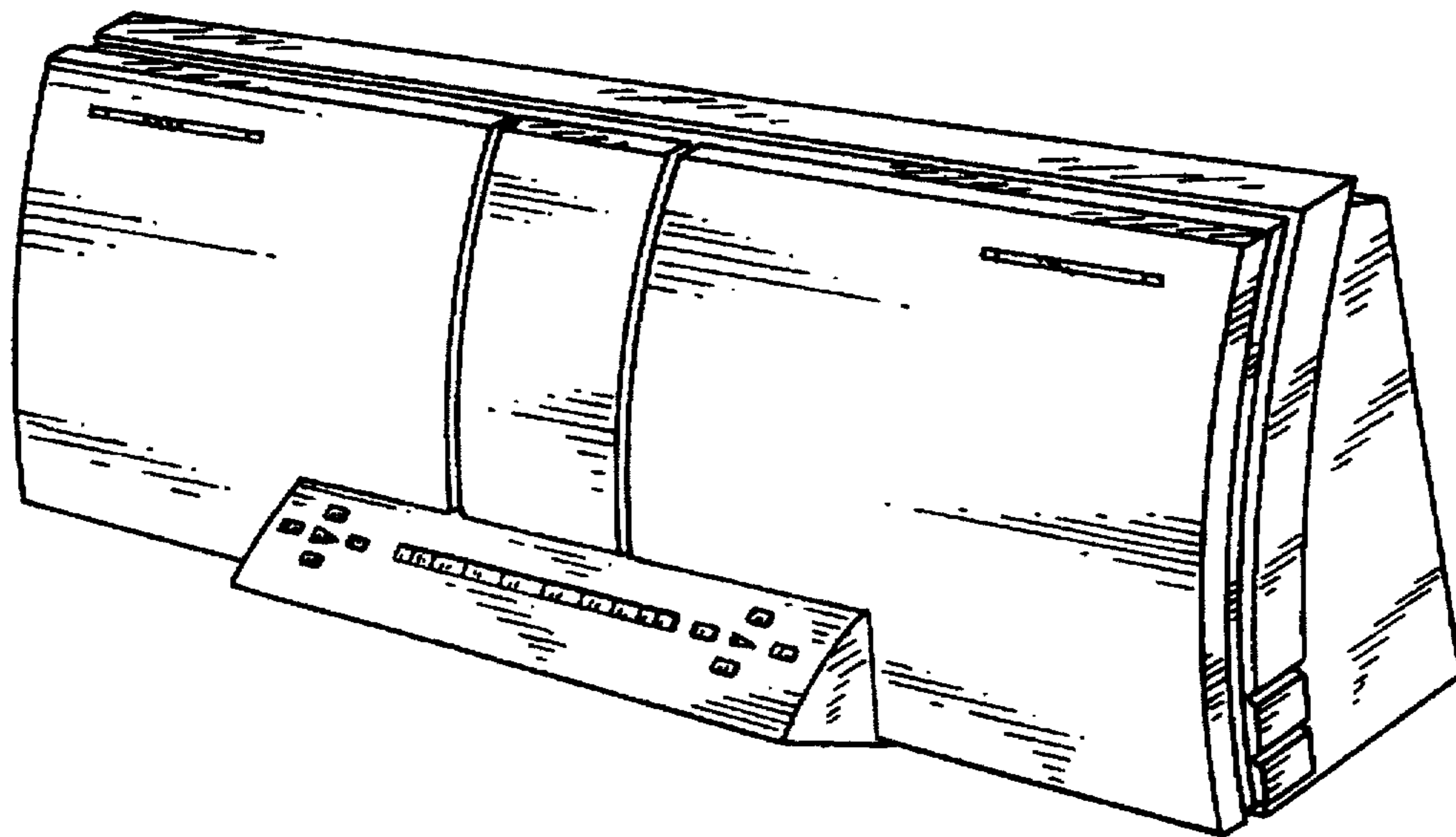


FIG. 7

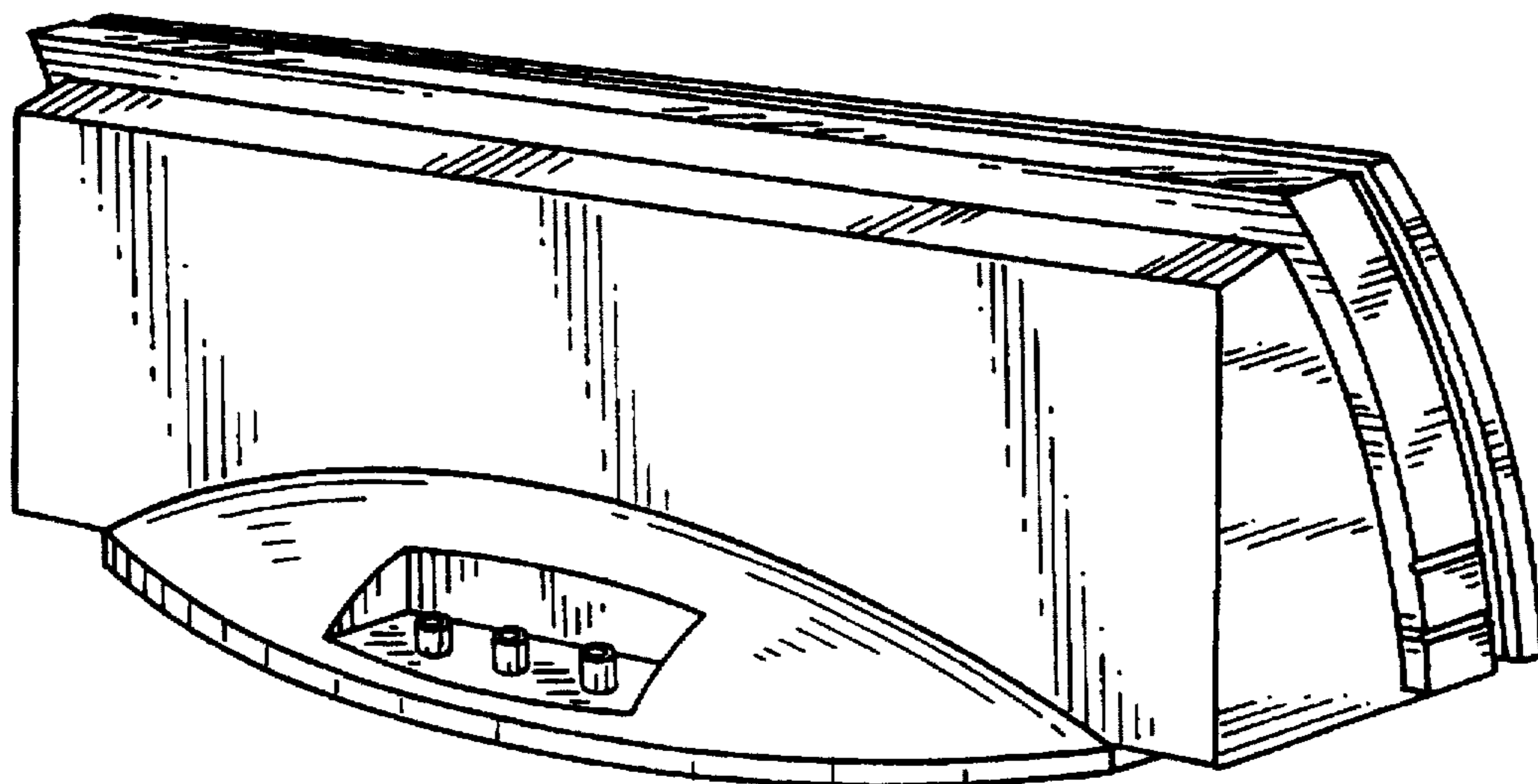


FIG. 8