



**United States Patent** [19]  
**Newton et al.**

[11] **Patent Number: Des. 392,964**  
[45] **Date of Patent: \*\*Mar. 31, 1998**

[54] **ICON FOR A COMPUTER SCREEN**

[75] **Inventors: James W. Newton, Belmont; Larry M. Hoffman, Mountain View, both of Calif.**

[73] **Assignee: Sun Microsystems, Inc., Palo Alto, Calif.**

[\*\*] **Term: 14 Years**

[21] **Appl. No.: 52,160**

[22] **Filed: Mar. 25, 1996**

[51] **LOC (6) Cl. .... 14-02**

[52] **U.S. Cl. .... D14/114.5**

[58] **Field of Search .... D14/114, 114.1-114.9; D10/11; D19/6; D18/24, 27; 395/155, 157, 159**

[56] **References Cited**

**U.S. PATENT DOCUMENTS**

D. 341,848 11/1993 Bigelow et al. .... D18/27

**OTHER PUBLICATIONS**

Symbol Sourcebook, Henry Dreyfuss, Van Nostrand Reinhold, lighthouse symbol, p. 131, 1972.

Corel Gallery 2, Clipart Catalog, Corel Corporation, pp. B439-443, 1995.

Microsoft Publisher User's Guide, Microsoft Corp., picture frame tool, p. 275, 1991.

World Atlas User's Guide, Software Toolwork, topomap button, p. 23, 1991.

Sim City for Windows User's Manual, Maxis, commercial icon, p. 19, power plants icon, p. 36, 1991.

The Macintosh Bible, Second Edition, Goldstein & Blair, building images, p. 168, moon image, p. 169, 1988.

Microsoft Word Quick Results Guide, Microsoft, landscape icon, p. 28, 1993.

Comm Works for Windows User's Guide, Travelling Software, Inc., landscape icon, p. 71, 1993.

*Primary Examiner*—M. H. Tung

*Attorney, Agent, or Firm*—Erwin J. Basinski

[57] **CLAIM**

The ornamental design for a icon for a computer screen, as shown and described.

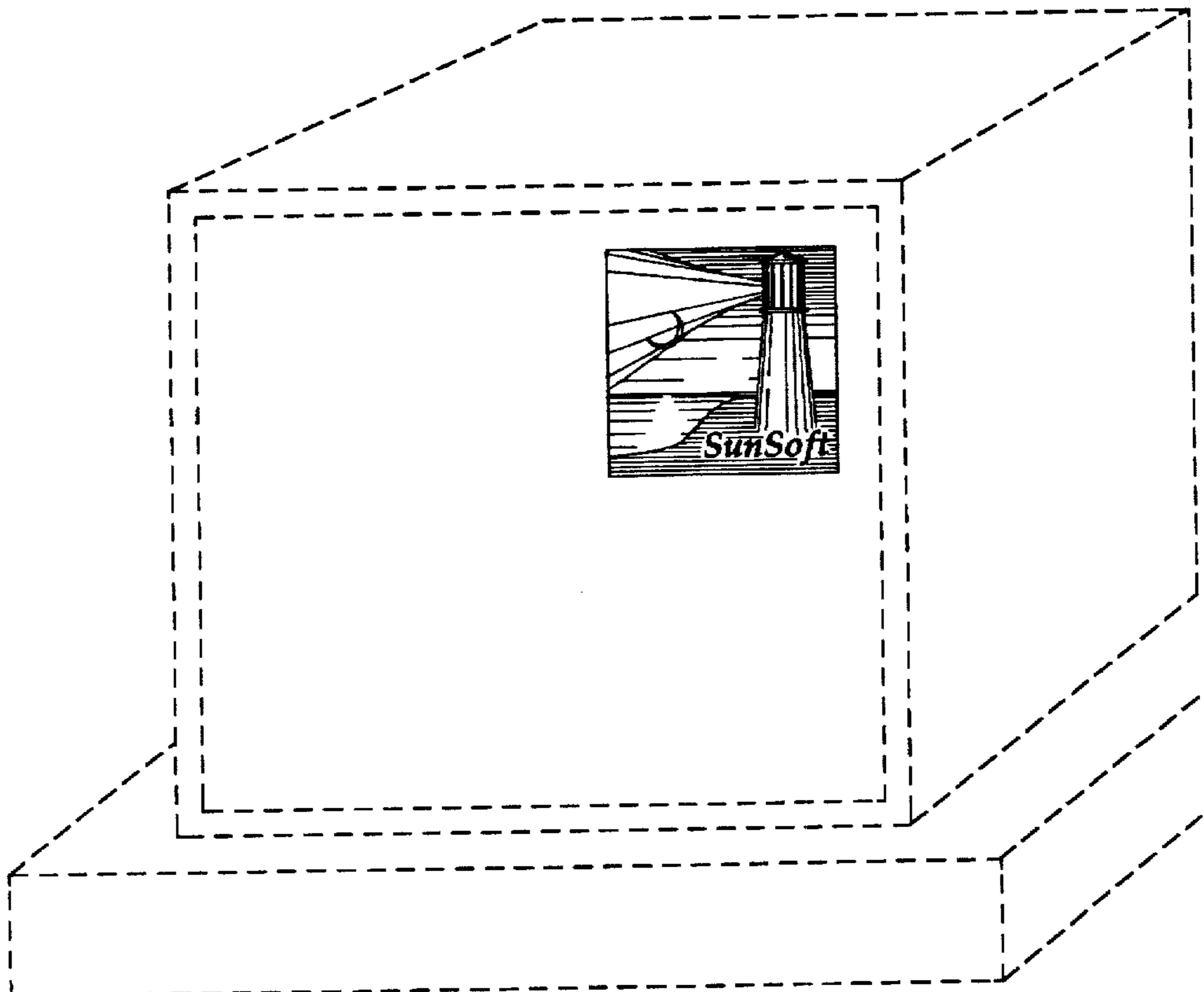
**DESCRIPTION**

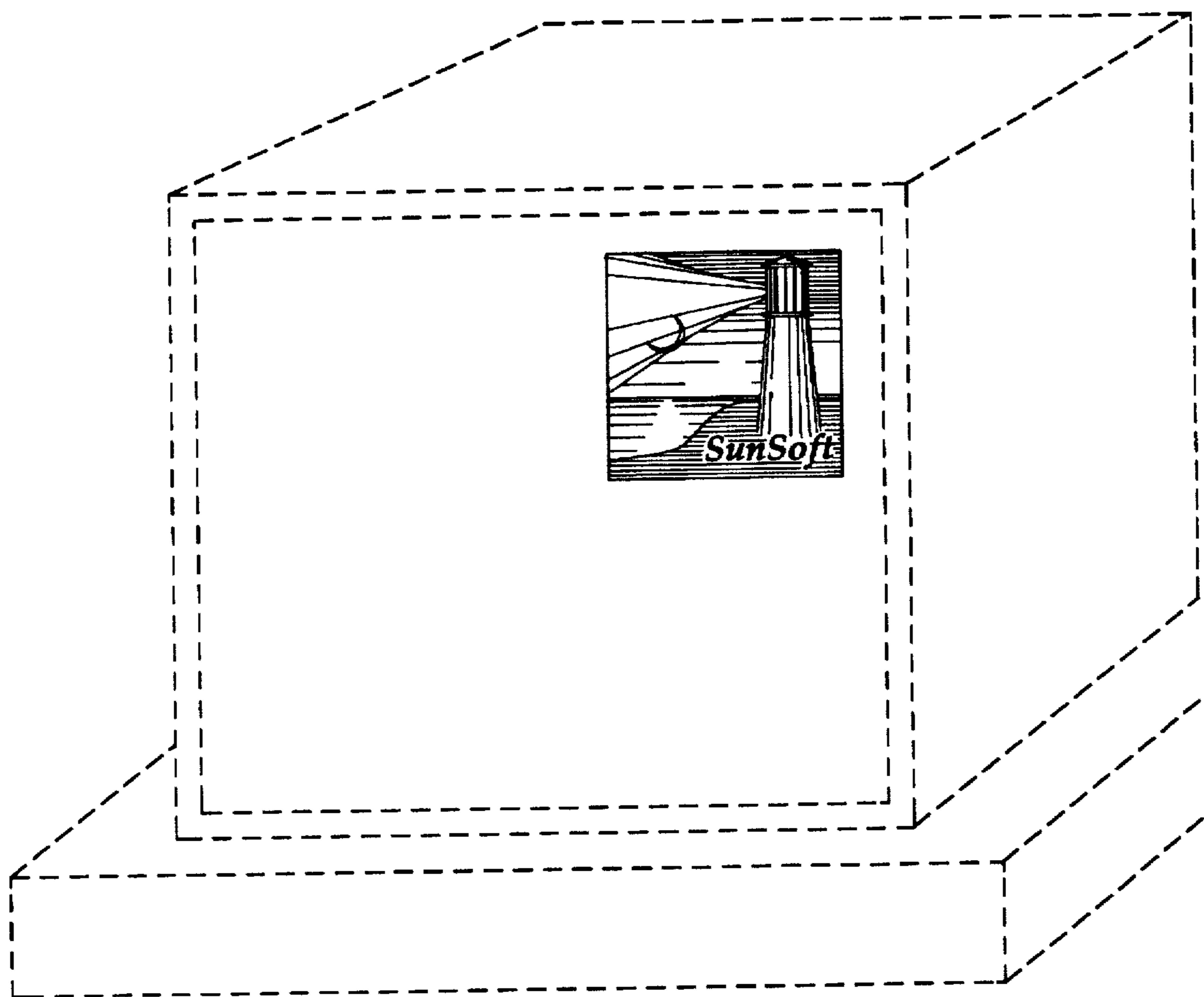
FIG. 1 is a perspective view of an icon for a computer screen; and,

FIG. 2 is a front view thereof.

The broken line drawing of a computer screen in FIGS. 1 and 2 is for illustrative purposes only and forms no part of the claimed design.

**1 Claim, 2 Drawing Sheets**





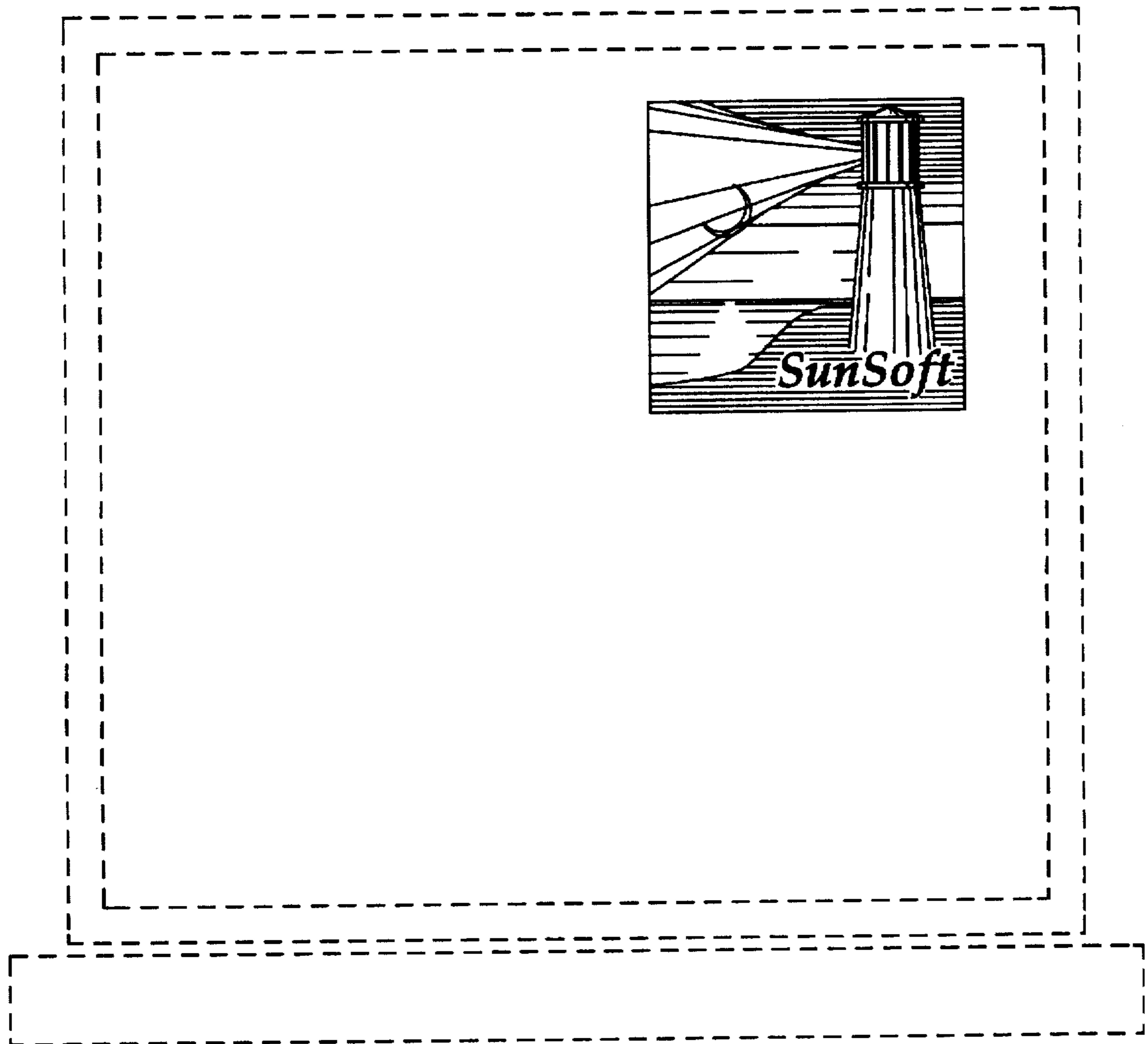


FIGURE 2