



US00D392958S

United States Patent [19]

[11] Patent Number: **Des. 392,958**

Gaete

[45] Date of Patent: ****Mar. 31, 1998**

[54] **RECTANGULAR COMPUTER TESTING AND CARRYING PALLET**

D. 349,277	8/1994	Merino et al.	D14/113
5,477,137	12/1995	Staudinger et al.	324/158.1
5,539,305	7/1996	Botka	324/158.1

[75] Inventor: **Jorge Robinson Gaete**, Seabrook, Tex.

Primary Examiner—Kay H. Chin
Attorney, Agent, or Firm—Wendy K. Buskop; Chamberlain, Hrolicka et al.

[73] Assignee: **PFI Vacuum Forming, Inc.**, Houston, Tex.

[**] Term: **14 Years**

[57] **CLAIM**

[21] Appl. No.: **56,856**

The ornamental design for a rectangular computer testing and carrying pallet, as shown and described.

[22] Filed: **Jul. 10, 1996**

DESCRIPTION

[51] LOC (6) Cl. **14-02**

FIG. 1 is a perspective view of a rectangular computer testing and carrying pallet showing my new design;

[52] U.S. Cl. **D14/114; D20/10; D20/42**

FIG. 2 is a top plan view thereof;

[58] Field of Search D14/100-114;
73/865.9; 324/158.1, 765; D10/46; D20/10,
42

FIG. 3 is a side elevational view thereof, the opposite side view being a mirror image of that shown;

FIG. 4 is a front elevational view thereof, the rear elevational view being a mirror image of that shown; and,

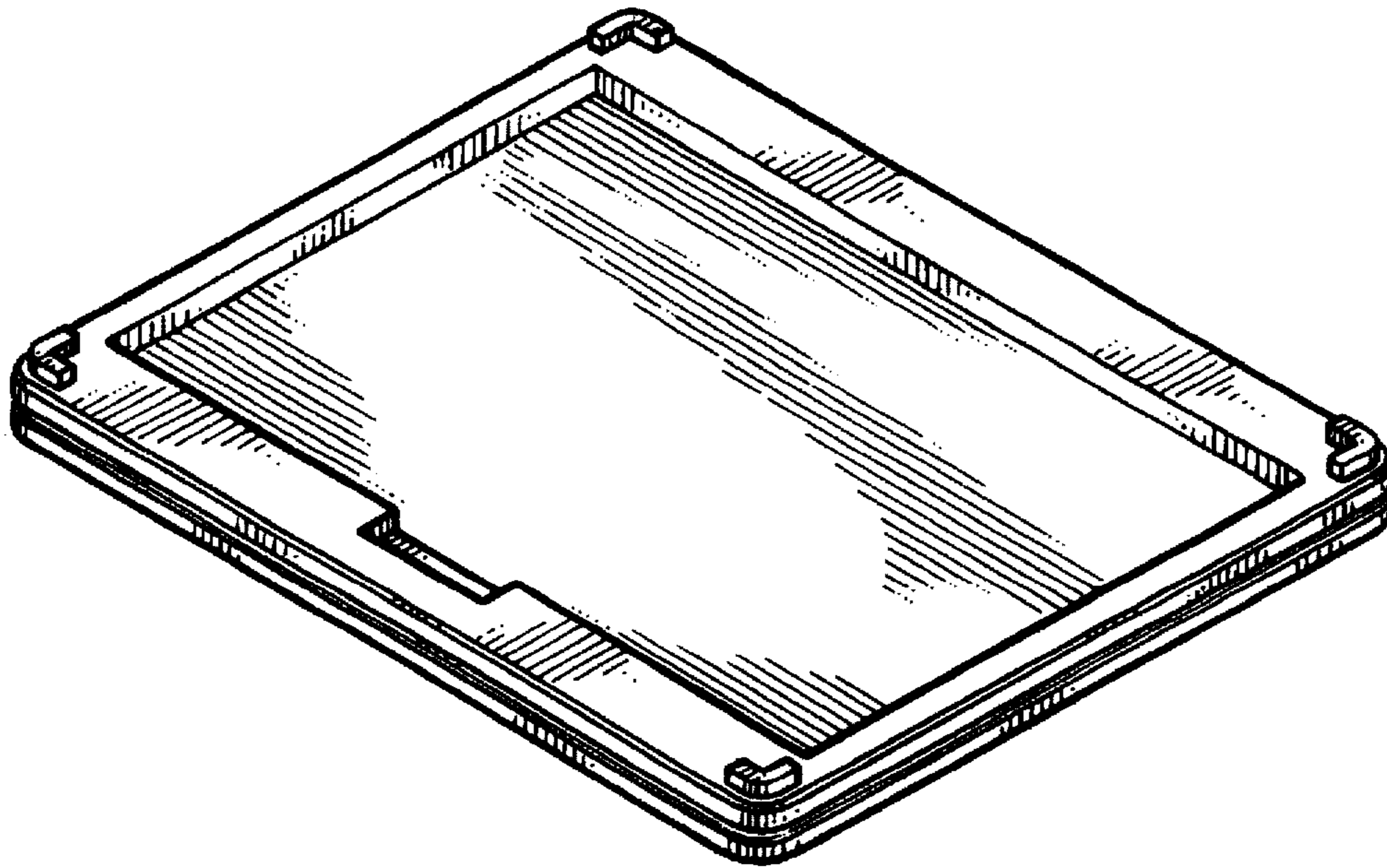
FIG. 5 is a bottom plan view thereof.

[56] **References Cited**

U.S. PATENT DOCUMENTS

D. 337,322 7/1993 Tso D14/114

1 Claim, 2 Drawing Sheets



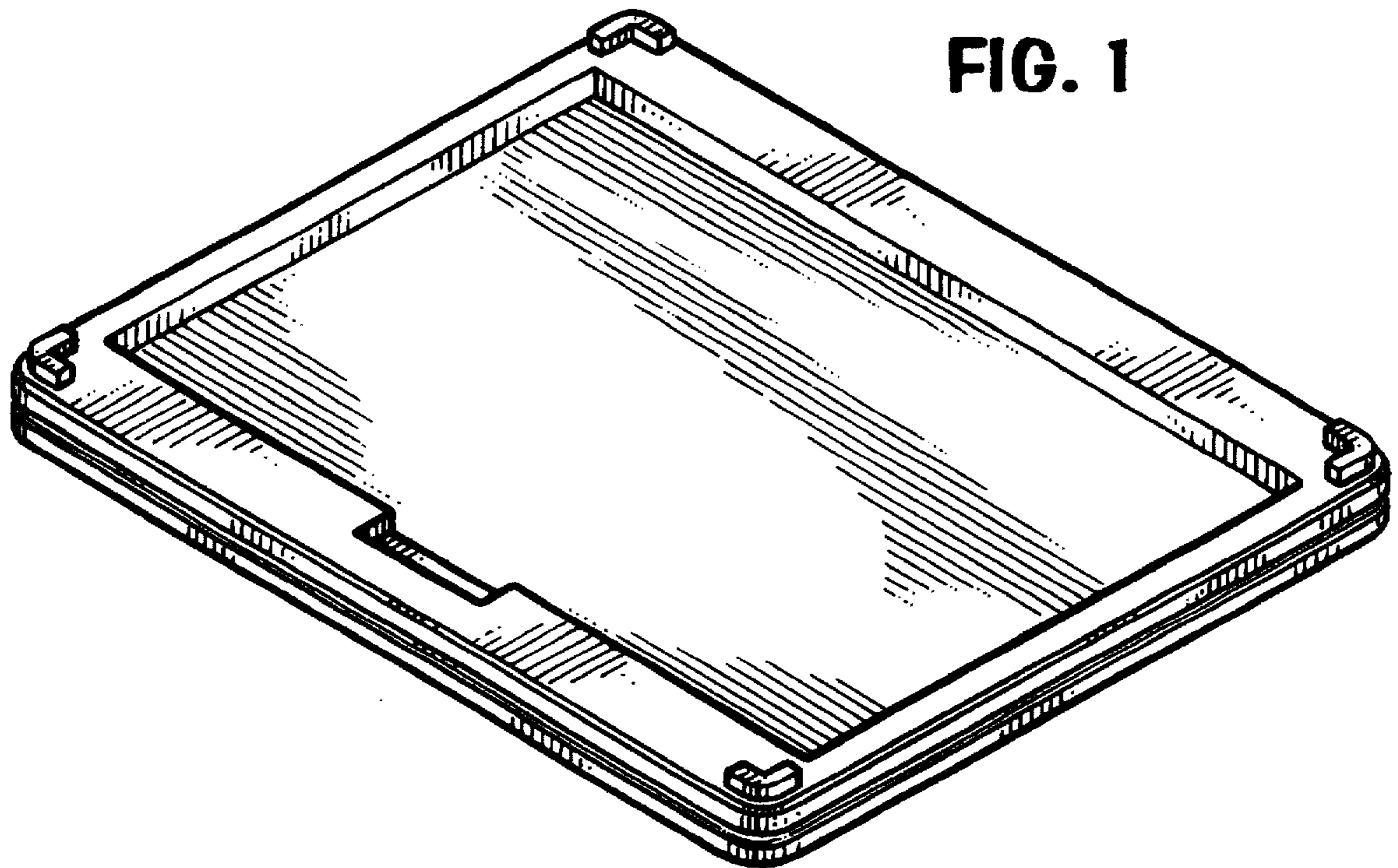


FIG. 3

FIG. 4



FIG. 2

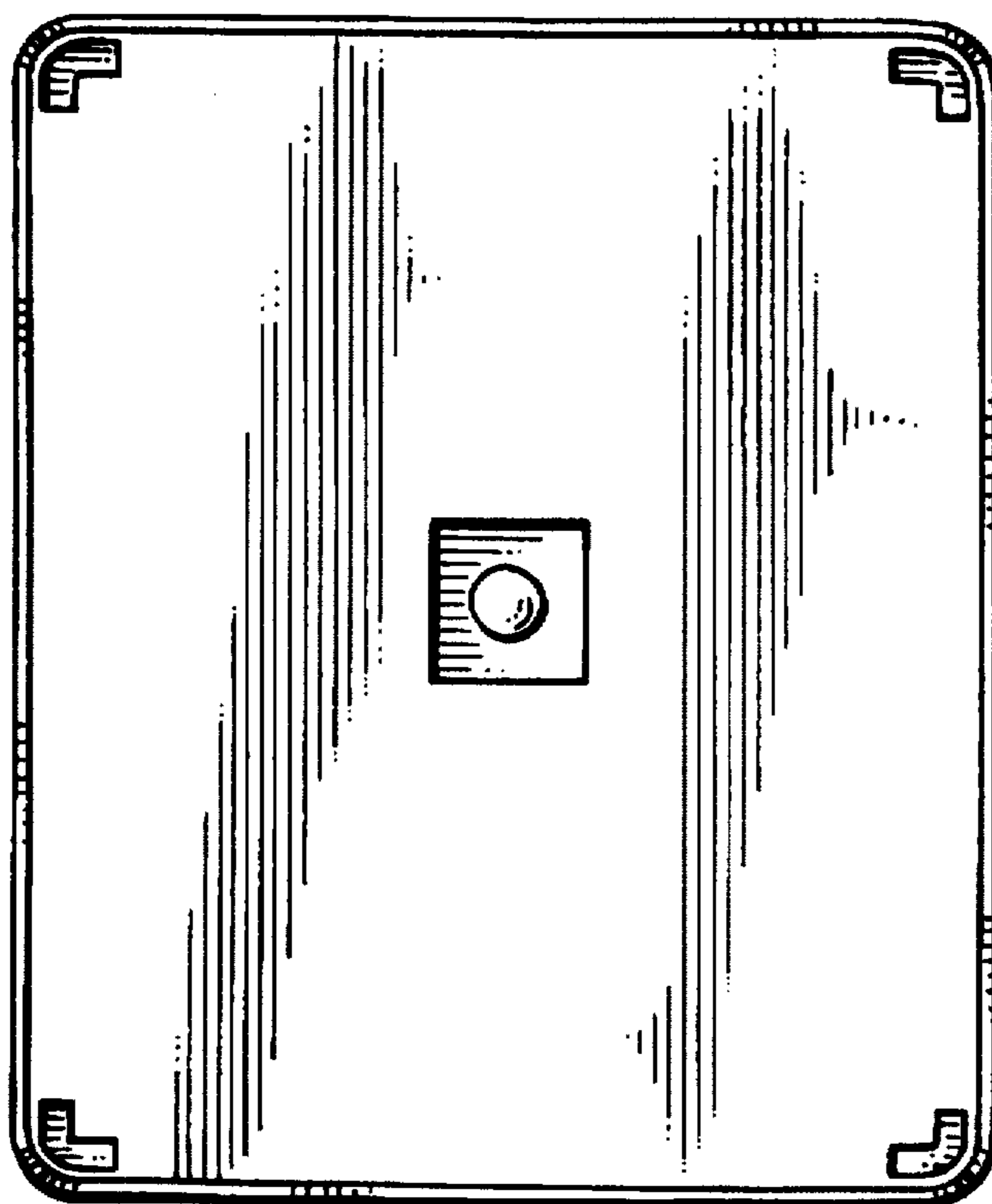
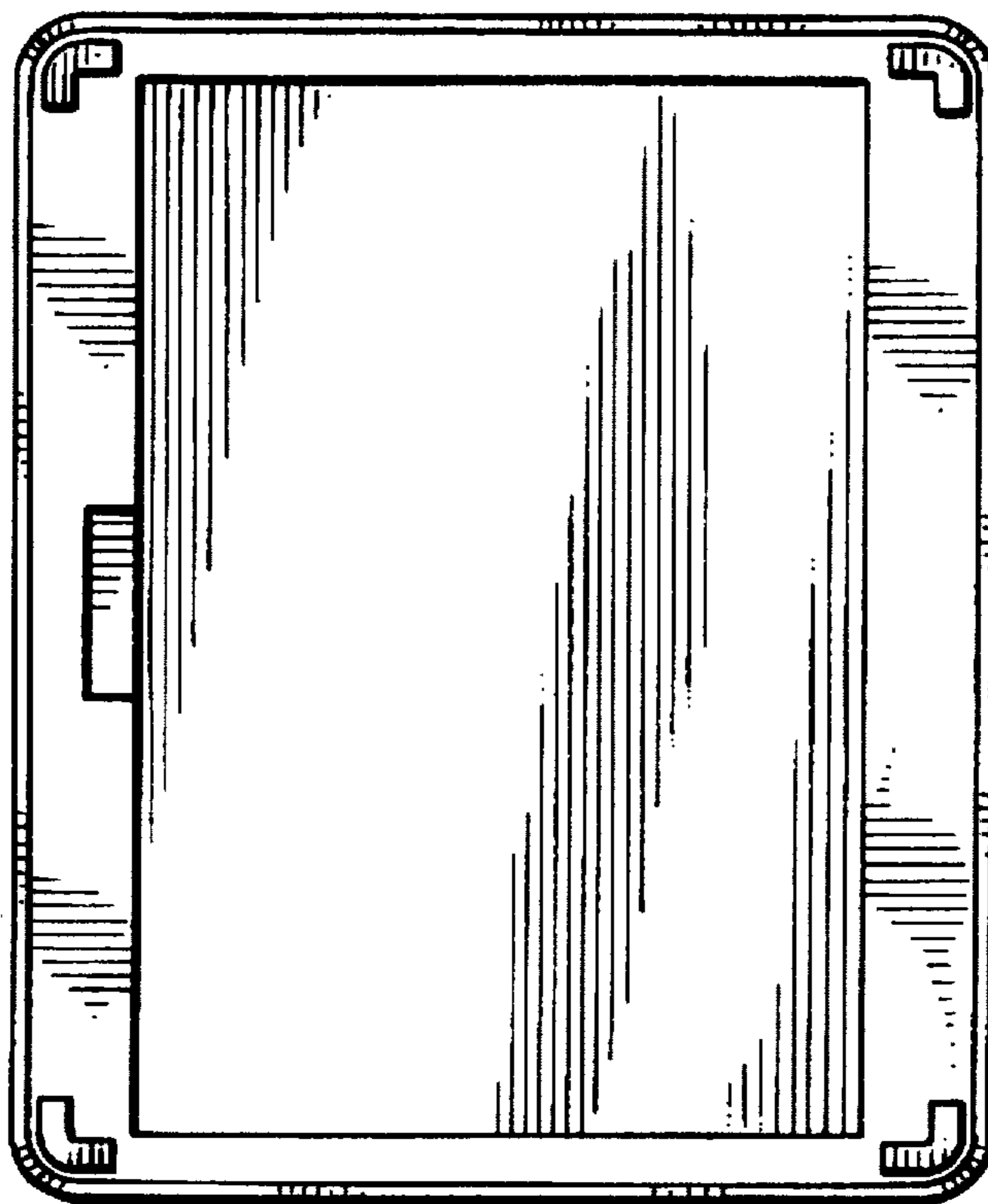


FIG. 5