



US00D392957S

United States Patent [19]
Gaete

[11] **Patent Number: Des. 392,957**
[45] **Date of Patent: **Mar. 31, 1998**

[54] **SQUARE COMPUTER TESTING AND CARRYING PALLET**

D. 349,277 8/1994 Merino et al. D14/113
5,477,137 12/1995 Shoudinger et al. 324/158.1
5,539,305 7/1996 Botka 324/158.1

[75] **Inventor: Jorge Robinson Gaete, Seabrook, Tex.**

Primary Examiner—Kay H. Chin
Attorney, Agent, or Firm—Wendy K. Buskop; Chamberlain, Hrdlicka, et al.

[73] **Assignee: PFI Vacuum Forming, Inc., Houston, Tex.**

[**] **Term: 14 Years**

[57] **CLAIM**

[21] **Appl. No.: 56,855**

The ornamental design for a square computer testing and carrying pallet, as shown and described.

[22] **Filed: Jul. 10, 1996**

DESCRIPTION

[51] **LOC (6) Cl. 14-02**

FIG. 1 is a top perspective view of a square computer testing and carrying pallet showing my new design;

[52] **U.S. Cl. D14/114; D20/10; D20/42**

FIG. 2 is a top plan view thereof;

[58] **Field of Search D14/100-114; 73/865.9; 324/158.1, 765; D10/46; D20/10, 42**

FIG. 3 is a front elevational view thereof, the rear elevational view being a mirror image of that shown;

FIG. 4 is a side elevational view thereof, the opposite side elevational view being a mirror image of that shown; and,

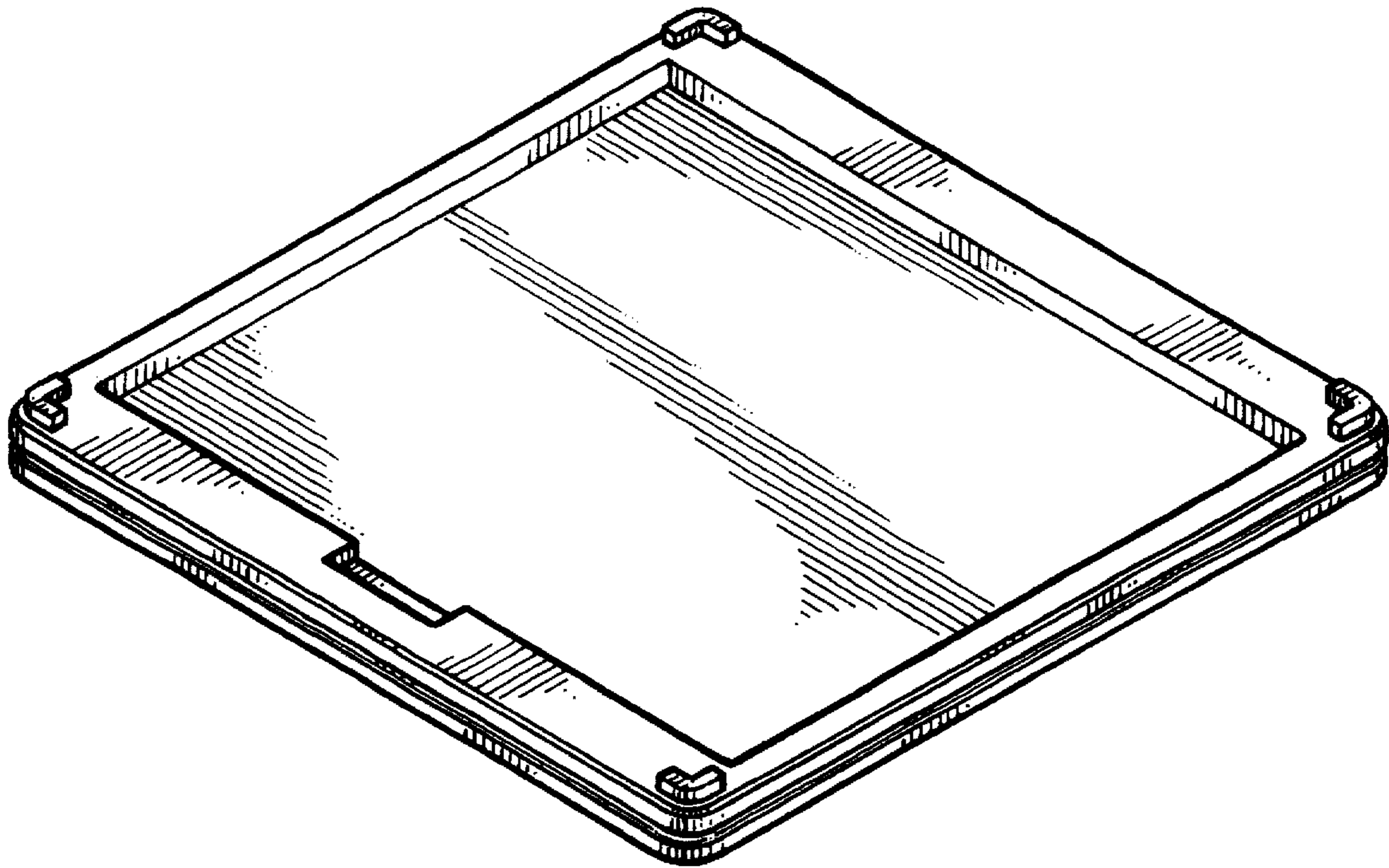
FIG. 5 is a bottom plan view thereof.

[56] **References Cited**

U.S. PATENT DOCUMENTS

D. 337,322 7/1993 Tso D14/114

1 Claim, 2 Drawing Sheets



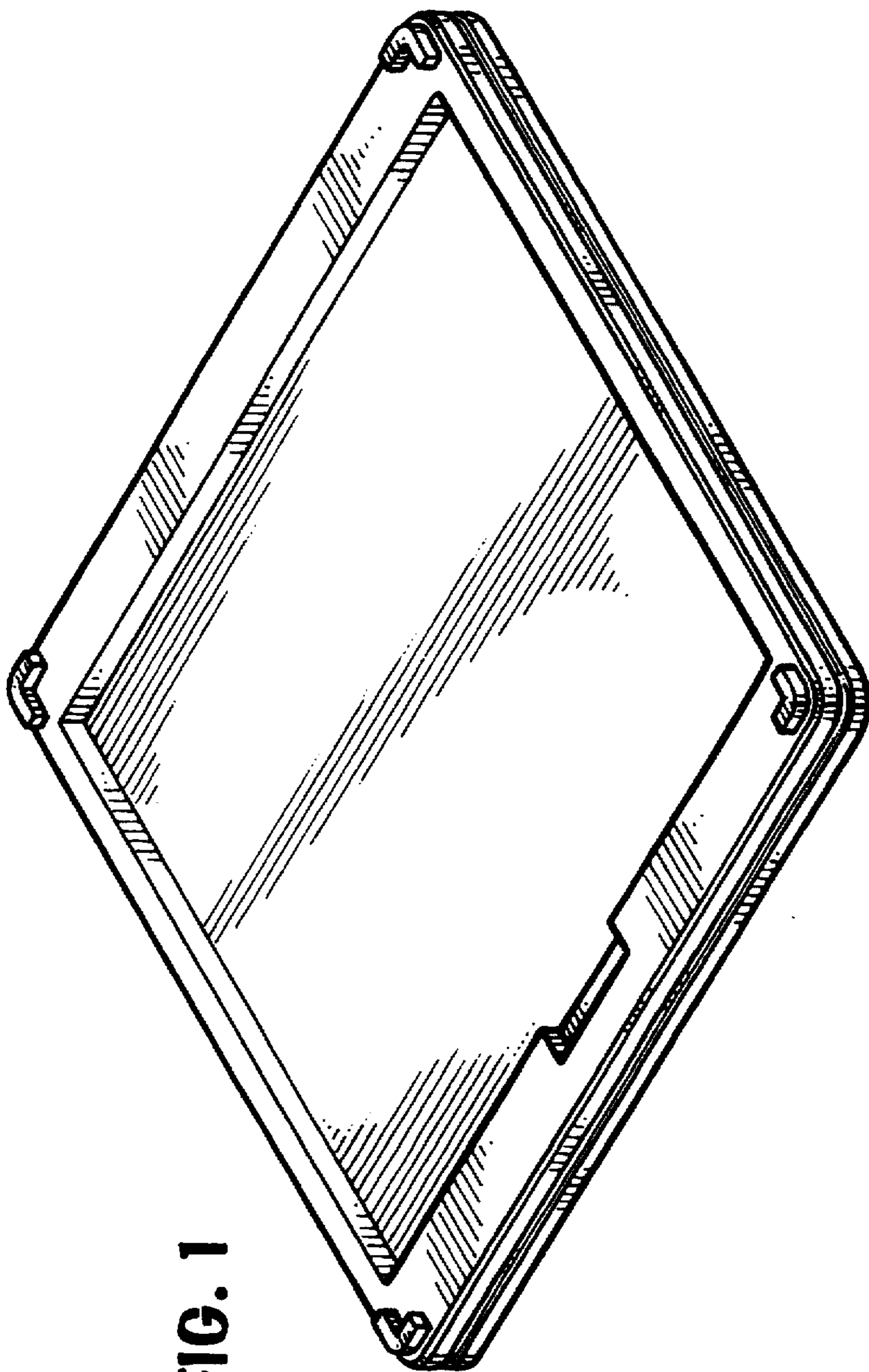


FIG. 1



FIG. 4



FIG. 3

FIG. 2

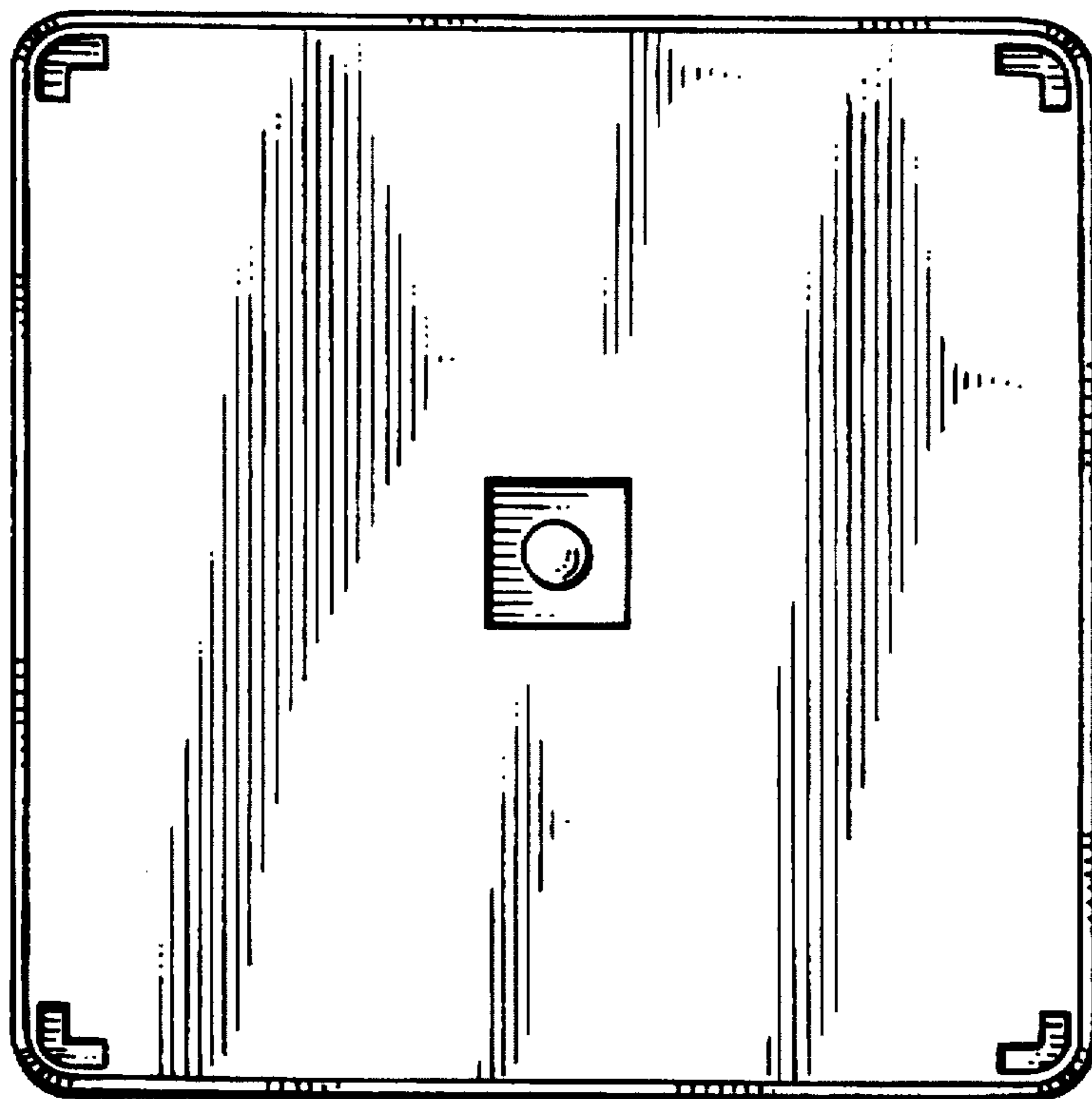
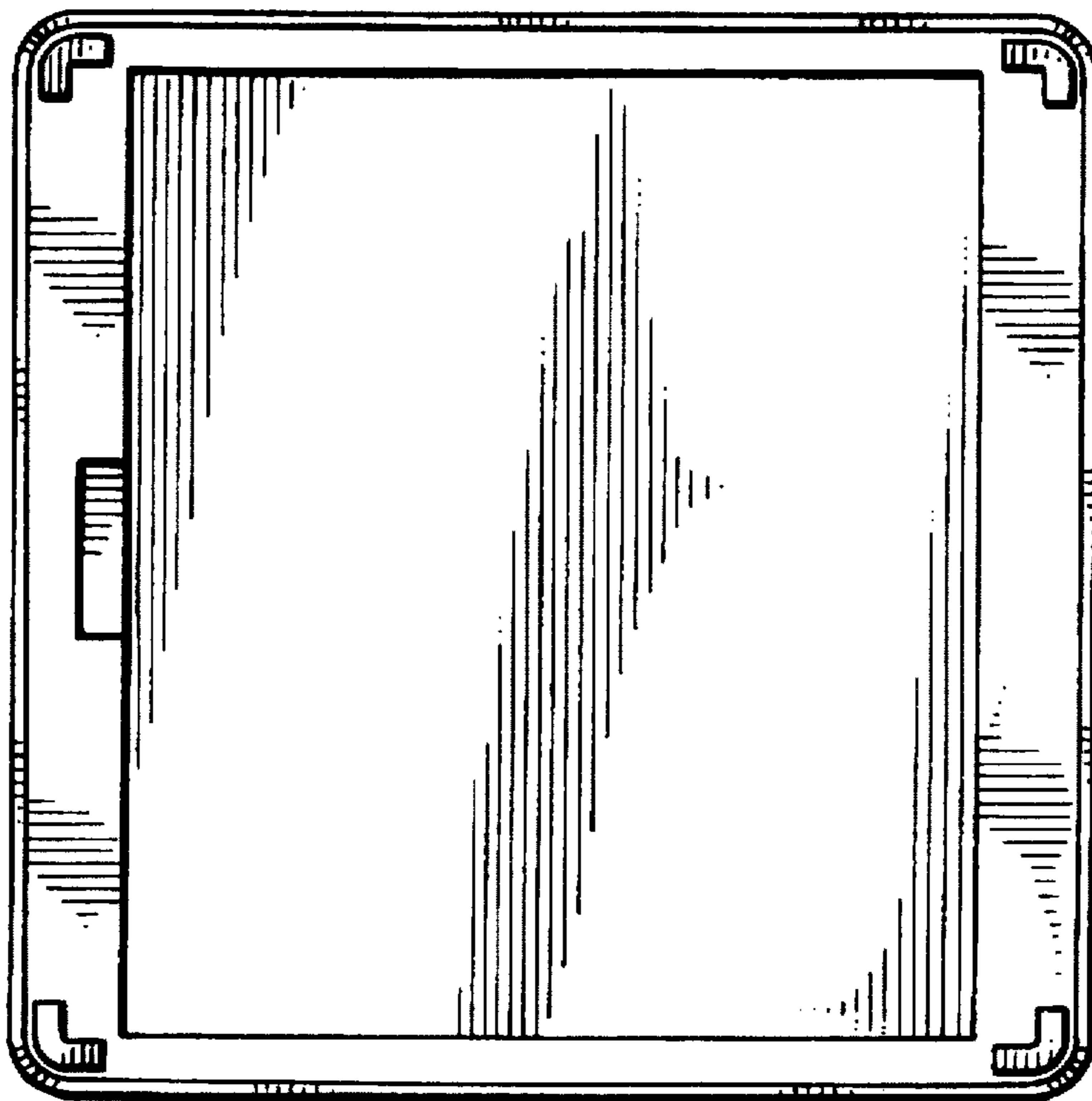


FIG. 5