

US00D392955S

# United States Patent [19]

[11] Patent Number: Des. 392,955

Wilson

[45] Date of Patent: \*\*Mar. 31, 1998

[54] RETRACTABLE MOUSE PAD

5257570 10/1993 Japan .  
6161602 6/1994 Japan .

[76] Inventor: **Ronal E. Wilson**, 403 Tiffany Trail,  
Richardson, Tex. 75081

*Primary Examiner*—M. H. Tung  
*Attorney, Agent, or Firm*—Robert Jelks Ward

[\*\*] Term: 14 Years

[57] CLAIM

[21] Appl. No.: 45,428

The ornamental design for a retractable mouse pad, as shown and described.

[22] Filed: Oct. 19, 1995

[51] LOC (6) Cl. .... 14-02

[52] U.S. Cl. .... D14/114

[58] Field of Search ..... D14/100, 114;  
D6/582-94, 406, 420, 509, 511, 436, 430;  
D20/22; 345/156-67; 248/118.1, 917-24;  
400/689-93, 715

DESCRIPTION

[56] References Cited

U.S. PATENT DOCUMENTS

D. 291,204	8/1987	Hampshire et al. ....	D14/114
D. 302,425	7/1989	LaBudde et al. ....	D14/114
D. 333,300	2/1993	Hatcher ....	D14/114
D. 339,799	9/1993	Allen ....	D14/114
D. 361,325	8/1995	Massey ....	D14/114
D. 364,397	11/1995	Bedol ....	D14/114
4,595,993	6/1986	Yao ....	364/708
5,182,698	1/1993	Kobayashi et al. ....	361/395
5,287,246	2/1994	Sen ....	361/683
5,339,213	8/1994	O'Callaghan ....	361/683
5,433,407	7/1995	Rice ....	248/118

FIG. 1 is a perspective view taken from the top, front, and right side of a retractable mouse pad showing my new design, the retractable mouse pad is shown partially extended, and the broken line drawings of part of a computer and a mouse are for illustrative purposes only and form no part of the claimed design;

FIG. 2 is a top plan view thereof;

FIG. 3 is a front elevational view thereof, the rear elevational view is a mirror image;

FIG. 4 is a left side elevational view thereof;

FIG. 5 is a right side elevational view thereof;

FIG. 6 is a bottom plan view thereof, the retractable mouse pad is shown partially extended; and,

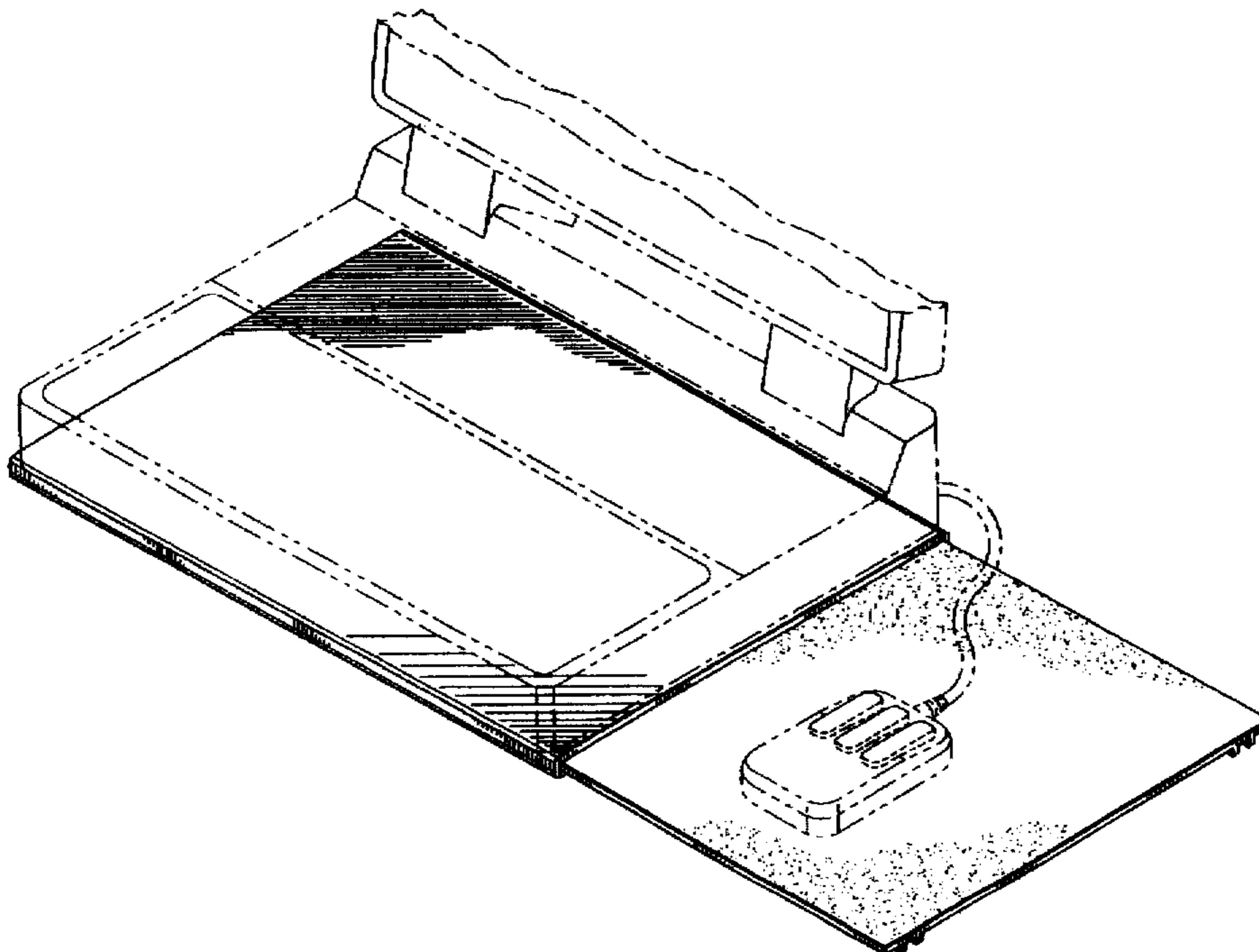
FIG. 7 is a perspective view taken from the top, front, and right side of a retractable mouse pad.

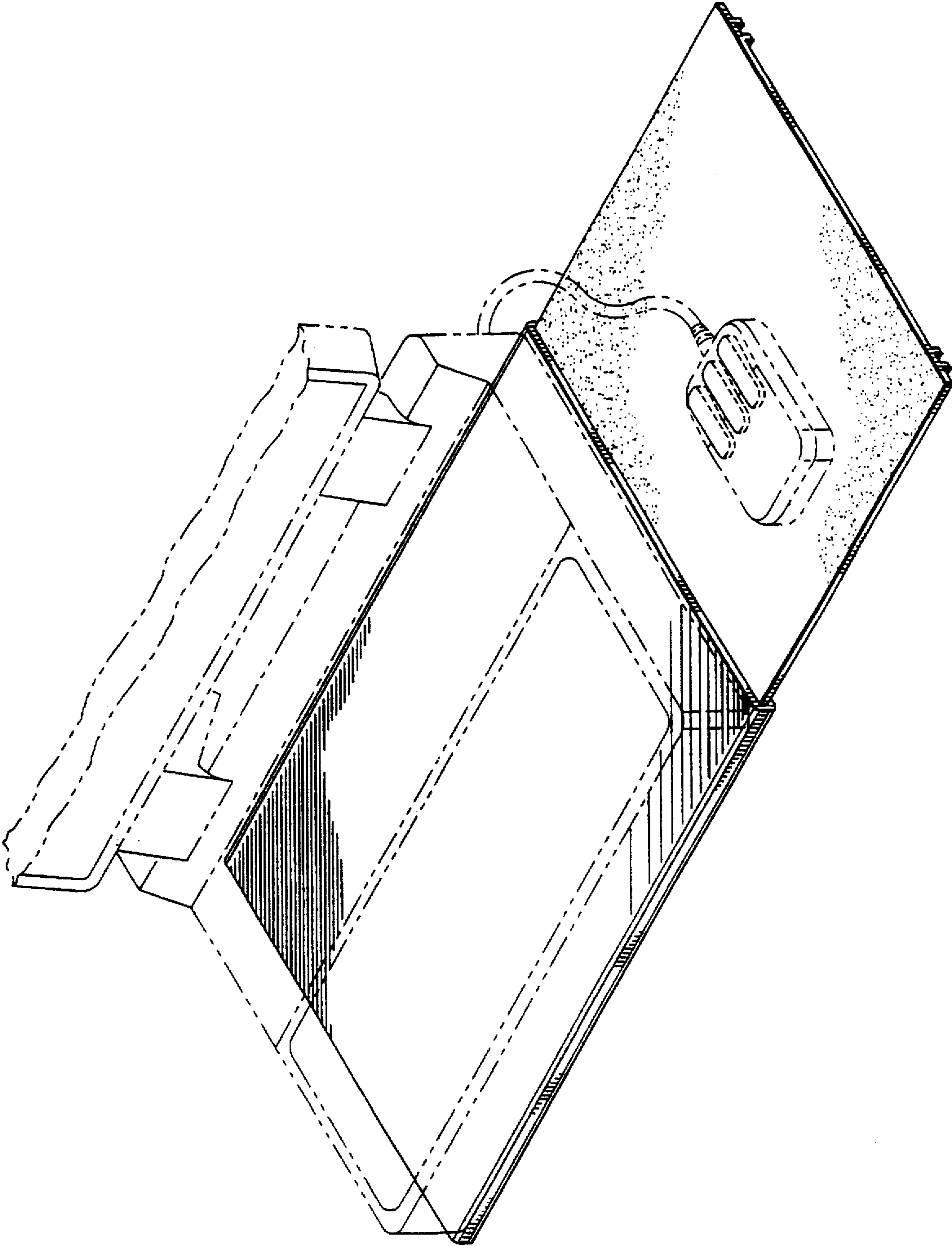
The mouse pad in FIGS. 1, 2, 3, and 6 is shown in extended position.

FOREIGN PATENT DOCUMENTS

2224005 9/1990 Japan .

1 Claim, 4 Drawing Sheets





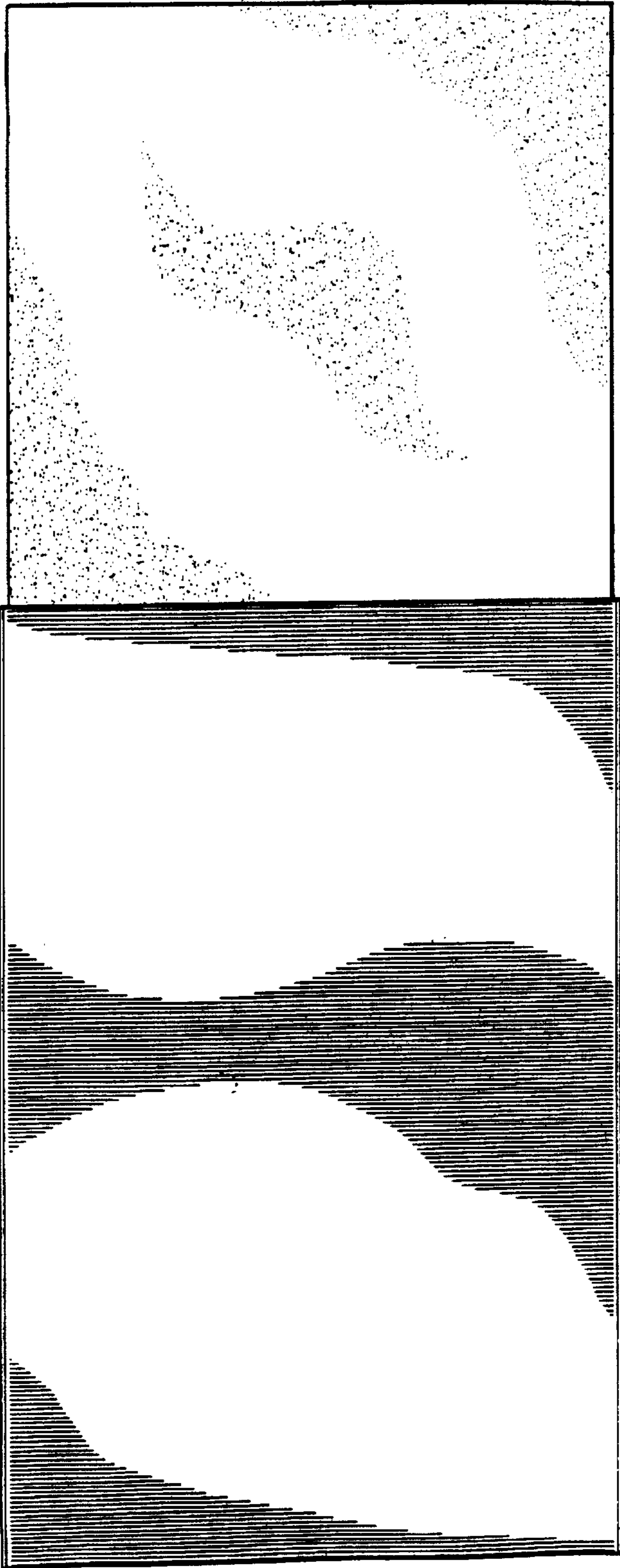


FIG. 2



FIG. 3



FIG. 4



FIG. 5

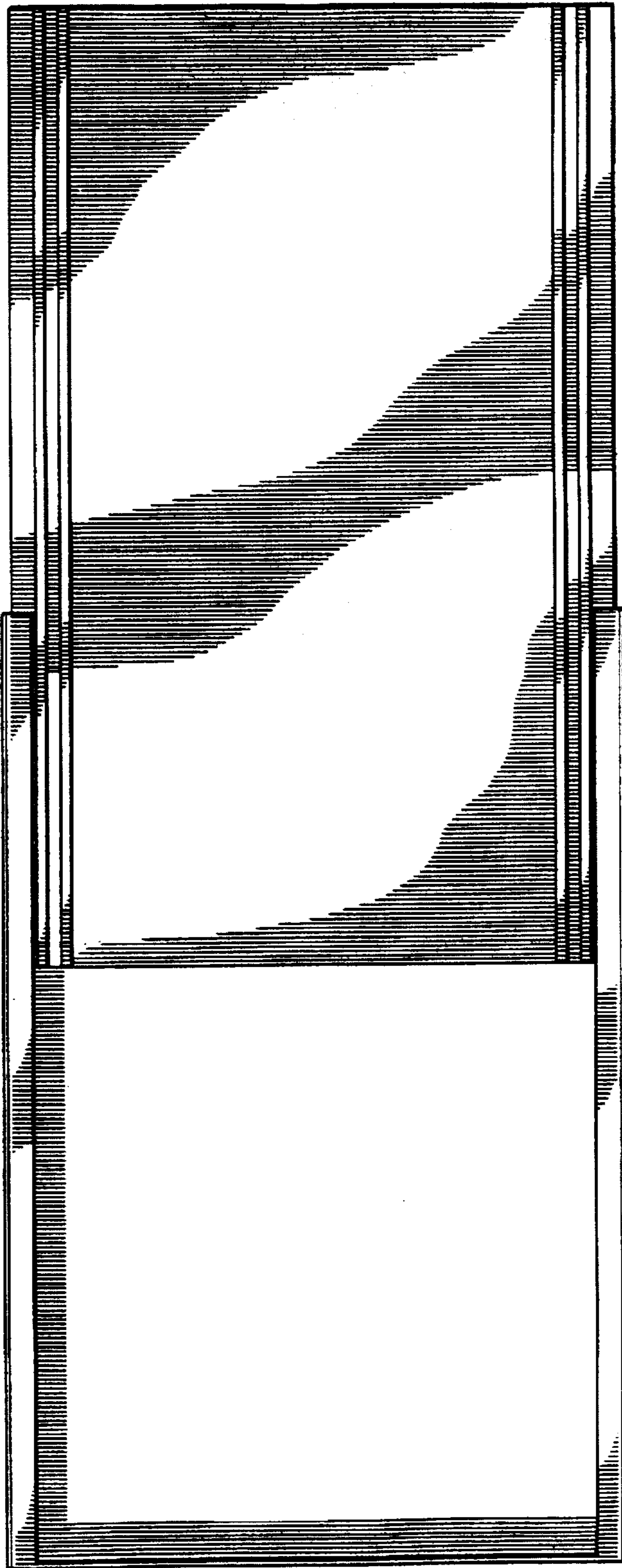


FIG. 6

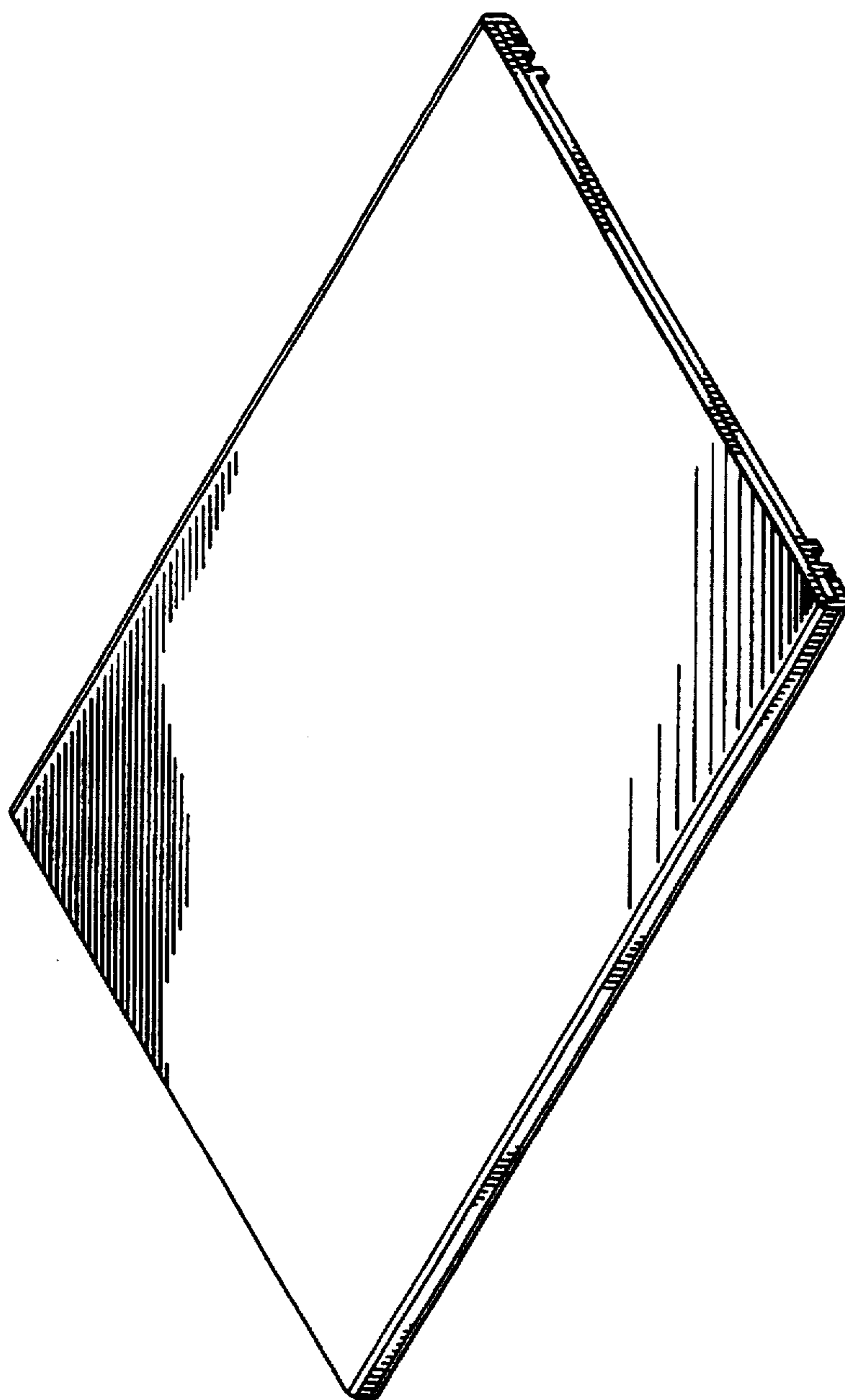


FIG. 7