



US00D392953S

United States Patent [19]
Fujisawa

[11] **Patent Number: Des. 392,953**
[45] **Date of Patent: **Mar. 31, 1998**

[54] **SHUTTER FOR AN OPTICAL DISC CARTRIDGE**

[75] **Inventor: Hirotoshi Fujisawa, Tokyo, Japan**

[73] **Assignee: Sony Corporation, Tokyo, Japan**

[**] **Term: 14 Years**

[21] **Appl. No.: 855,948**

[22] **Filed: Mar. 23, 1992**

[30] **Foreign Application Priority Data**

Oct. 29, 1991 [JP] Japan 3-32685

[51] **LOC (6) Cl. 14-02**

[52] **U.S. Cl. D14/114**

[58] **Field of Search D14/100, 107, D14/114; 360/60, 132, 133, 135, 97.01-99.12; 206/312, 444**

[56] **References Cited**

U.S. PATENT DOCUMENTS

- D. 292,292 10/1987 Saito et al. D14/114
- D. 307,893 5/1990 Kato et al. D14/114
- D. 311,181 10/1990 Miyazawa D14/114

- 4,740,948 4/1988 Nakamori et al. 206/444 X
- 4,926,411 5/1990 Ouwerkeek et al. 206/444 X
- 5,041,923 8/1991 Iwata et al. 360/60
- 5,093,823 3/1992 Ouwerkerk et al. 206/444 X
- 5,195,084 3/1993 Shiba et al. 206/444 X

FOREIGN PATENT DOCUMENTS

- 0078478 3/1989 Japan 206/444
- 0320692 12/1989 Japan 206/444
- 4243073 8/1992 Japan 206/444

Primary Examiner—M. H. Tung
Attorney, Agent, or Firm—Jay H. Maioli

[57] **CLAIM**

The ornamental design for a shutter for an optical disc cartridge, as shown and described.

DESCRIPTION

FIG. 1 is a top view showing my new design;
FIG. 2 is a left-side view thereof;
FIG. 3 is a front view thereof;
FIG. 4 is a right-side view thereof;
FIG. 5 is a back view thereof;
FIG. 6 is a bottom thereof; and,
FIG. 7 is a perspective view.

1 Claim, 3 Drawing Sheets

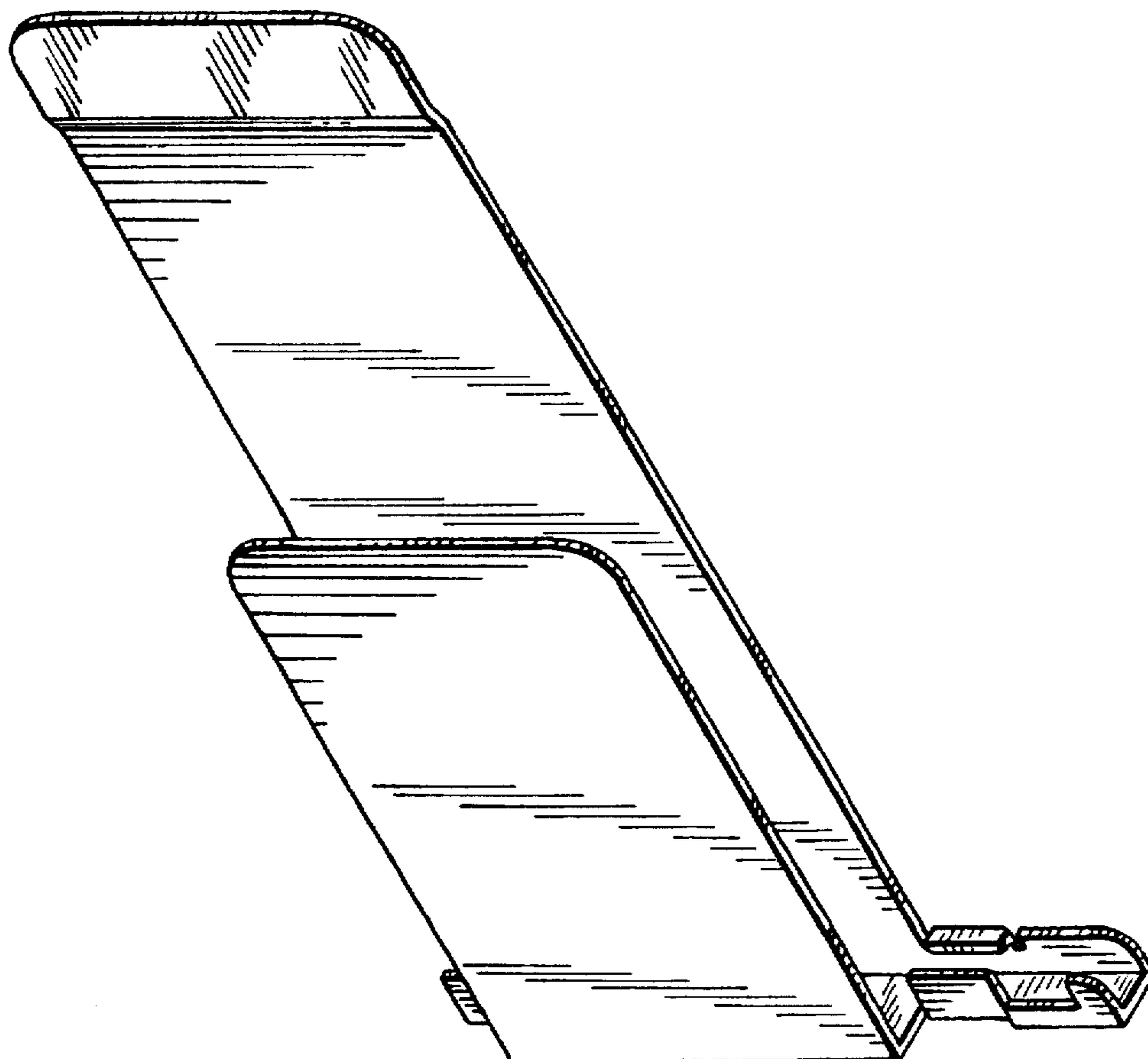


FIG. 1

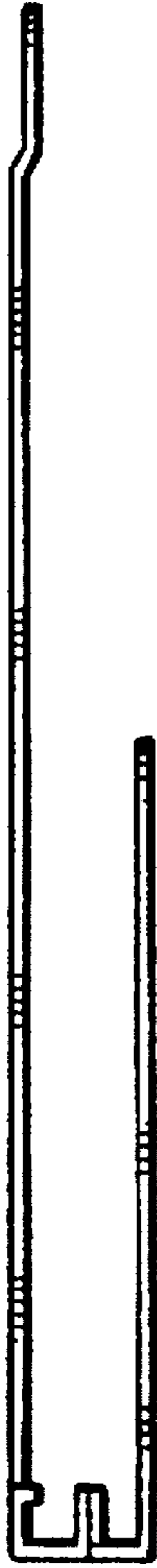


FIG. 2

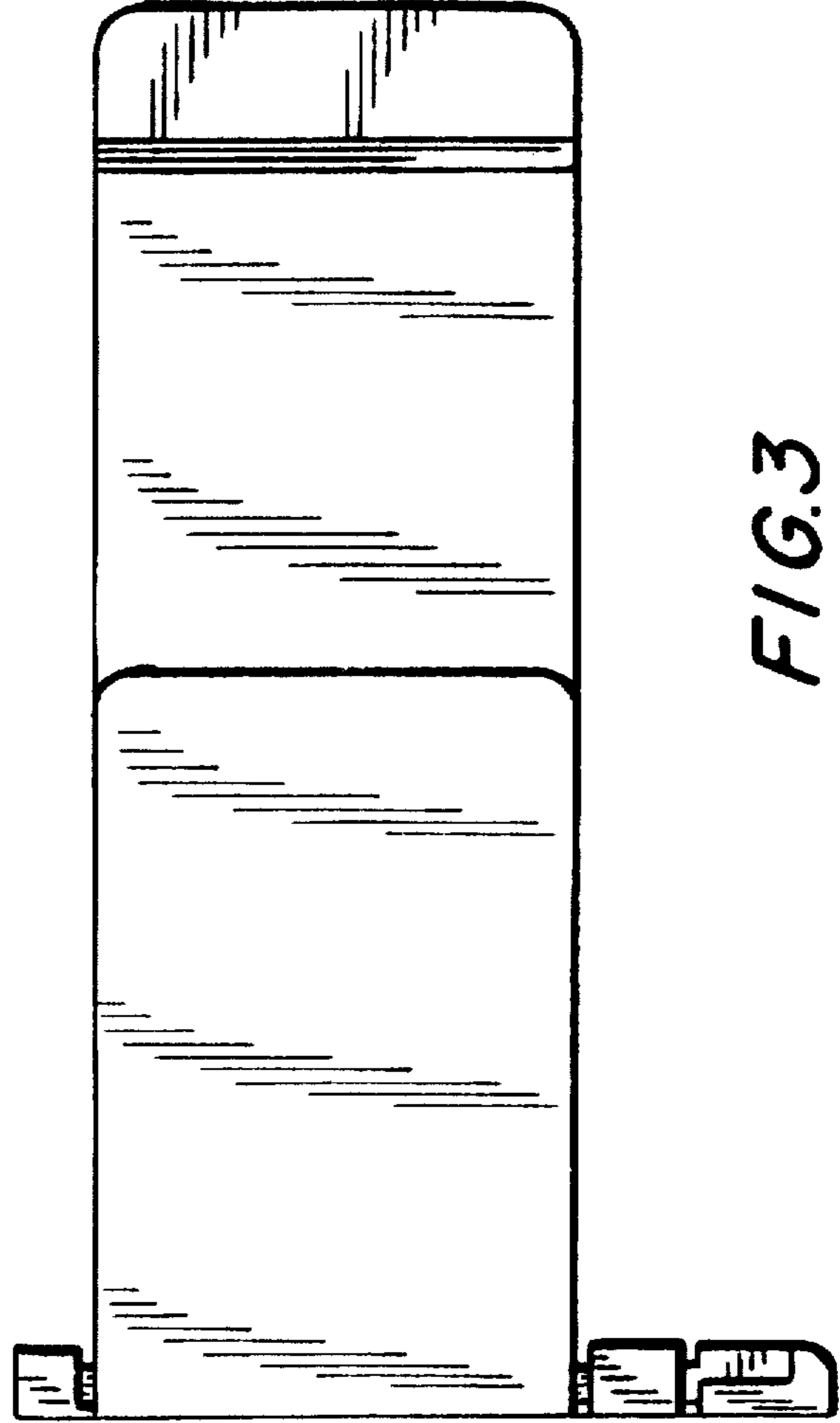


FIG. 3

FIG. 4

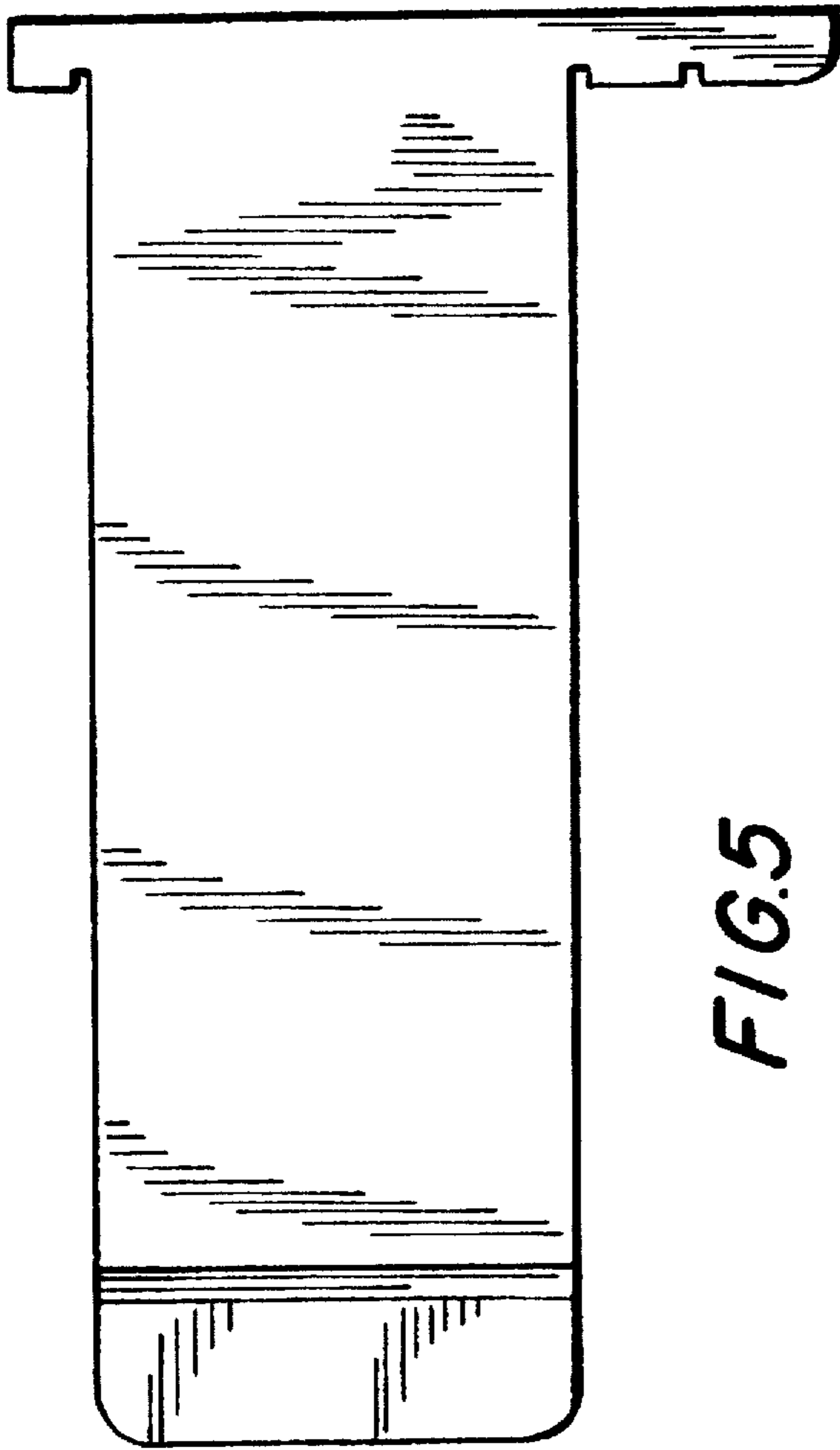
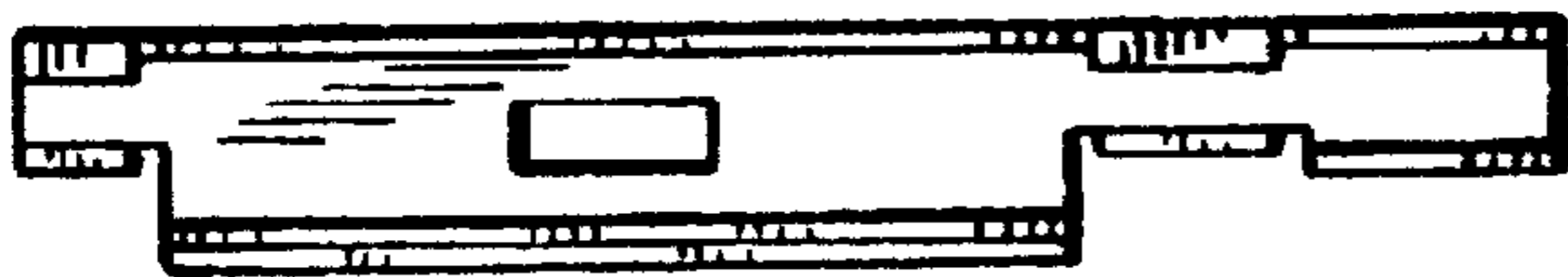


FIG. 5



FIG. 6

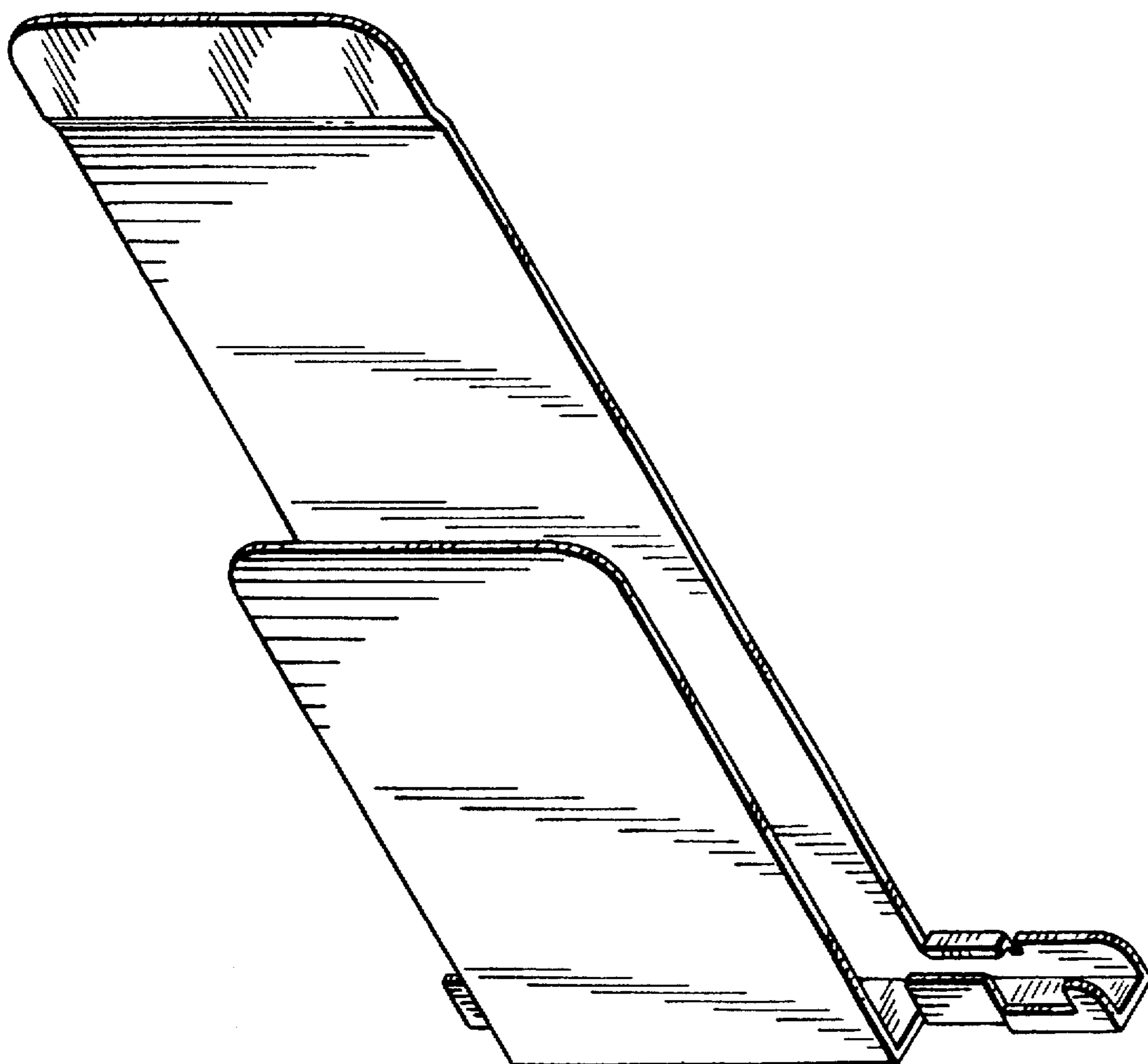


FIG. 7