



US00D392947S

# United States Patent [19] Iino

[11] Patent Number: **Des. 392,947**  
[45] Date of Patent: **\*\*Mar. 31, 1998**

[54] **ELECTRONIC COMPUTER**

[75] Inventor: **Masaaki Iino**, Saitama-ken, Japan

[73] Assignee: **Kabushiki Kaisha Toshiba**, Kawasaki, Japan

[\*\*] Term: **14 Years**

[21] Appl. No.: **67,552**

[22] Filed: **Feb. 3, 1997**

[30] **Foreign Application Priority Data**

Aug. 2, 1996 [JP] Japan ..... 8-23158

[51] LOC (6) Cl. .... **14-02**

[52] U.S. Cl. .... **D14/100**

[58] Field of Search ..... D14/100, 106,  
D14/115; D19/59, 60; 178/18, 19; 345/104,  
156, 173, 901, 905; 364/708.1, 709.04;  
434/307 R, 309

[56] **References Cited**

**U.S. PATENT DOCUMENTS**

D. 270,061	8/1983	Ackeret	.....	D16/11
D. 270,062	8/1983	Ackeret	.....	D16/11
D. 270,063	8/1983	Ackeret	.....	D16/11
D. 289,873	5/1987	Gemmell et al.	.....	D14/113
D. 315,549	3/1991	Clough et al.	.....	D14/100
D. 317,151	5/1991	Daly	.....	D14/100
D. 319,433	8/1991	Pearce	.....	D14/100
D. 322,246	12/1991	Izaki	.....	D14/100
D. 324,673	3/1992	Iino	.....	D14/106
D. 332,776	1/1993	Kelly et al.	.....	D14/100
D. 337,569	7/1993	Kando	.....	D14/100
D. 340,701	10/1993	Takeuchi	.....	D14/100

D. 341,823	11/1993	Sakai	.....	D14/100
D. 345,346	3/1994	Alfonso et al.	.....	D14/100
D. 346,793	5/1994	Iino et al.	.....	D14/100
D. 352,279	11/1994	Foy et al.	.....	D14/100
D. 356,550	3/1995	Mizusugi et al.	.....	D14/100
D. 361,552	8/1995	Iino	.....	D14/100
D. 363,468	10/1995	Mieki et al.	.....	D14/100

**FOREIGN PATENT DOCUMENTS**

909158 10/1994 Japan .

**OTHER PUBLICATIONS**

News Release (HandyCard S), Fujitsu, Apr. 19, 1995.  
Catalog (Personal Communication Terminal), Matsushita Electric Industrial Co., Ltd., (uncertain of issue date but obtained by the applicant before the filing date of the corresponding Japanese Design Application (Aug. 2, 1996)).

*Primary Examiner*—Freda Nunn  
*Attorney, Agent, or Firm*—Banner & Witcoff, Ltd.

[57] **CLAIM**

The ornamental design for an electronic computer, as shown and described.

**DESCRIPTION**

FIG. 1 is a top, front and right side perspective view of an electronic computer showing my new design;  
FIG. 2 is a top plan view thereof;  
FIG. 3 is a front elevational view thereof;  
FIG. 4 is a rear elevational view thereof;  
FIG. 5 is a right side elevational view thereof;  
FIG. 6 is a left side elevational view thereof; and,  
FIG. 7 is a bottom plan view thereof.

**1 Claim, 3 Drawing Sheets**

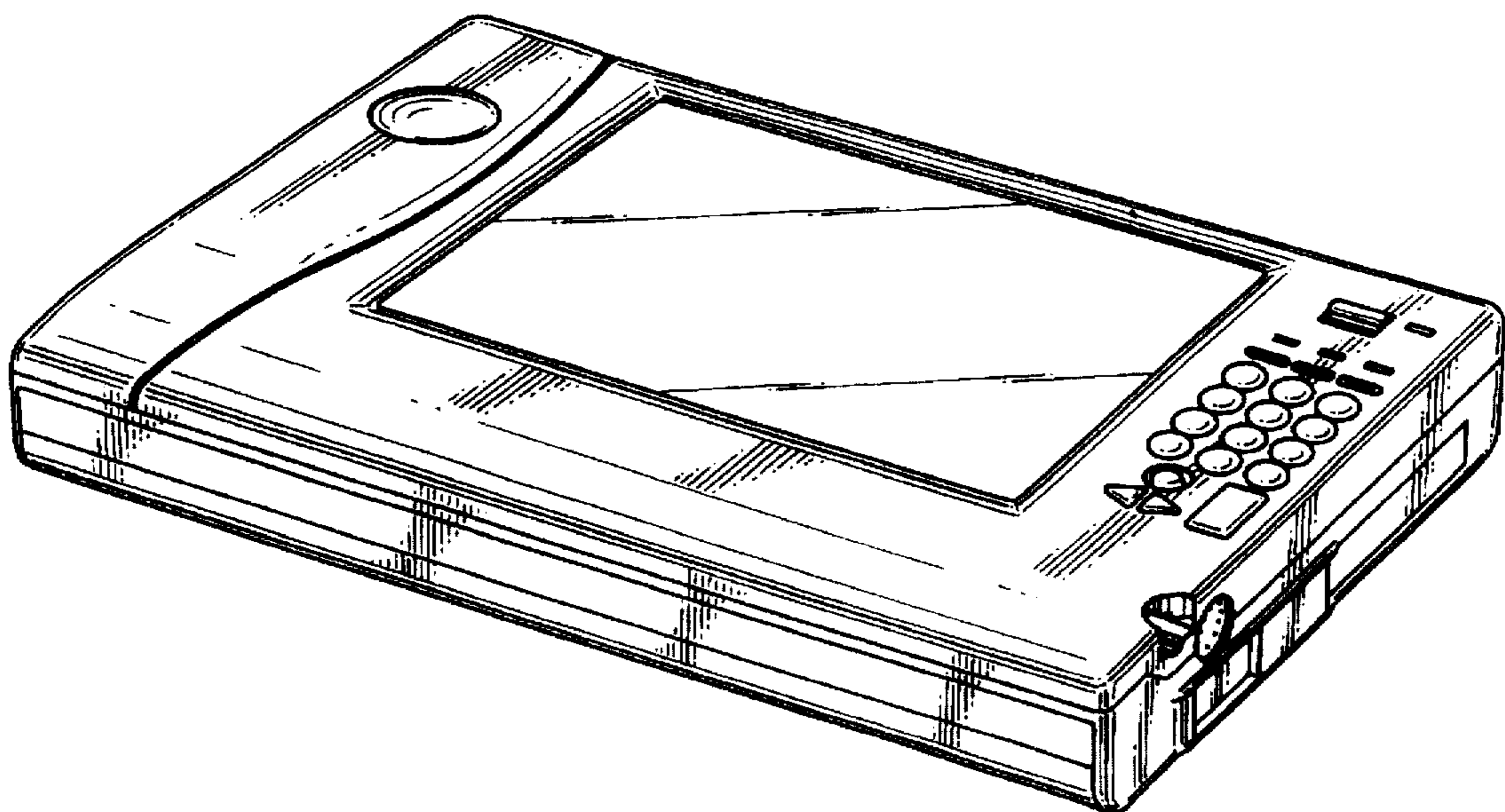


FIG. 1

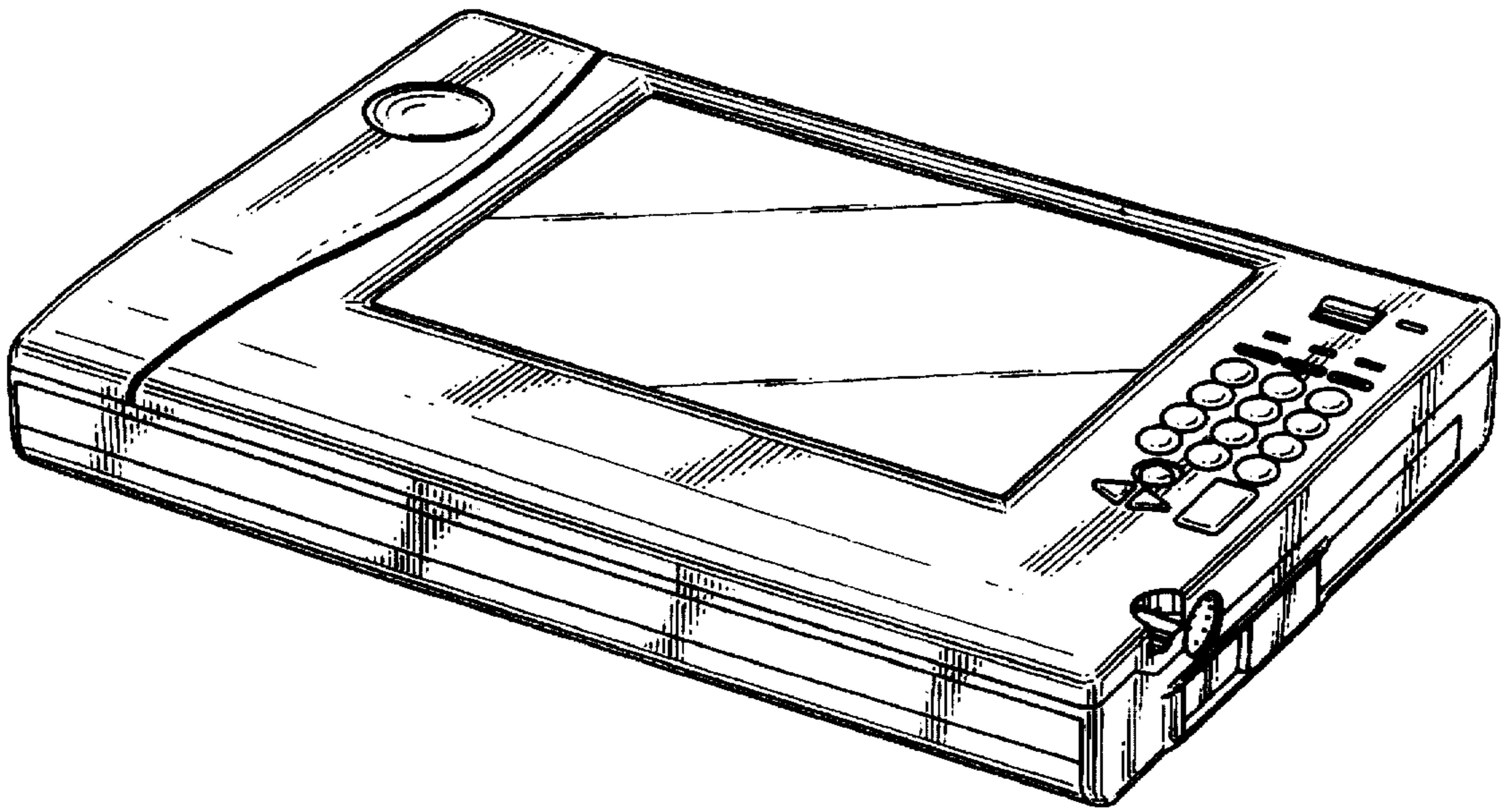


FIG. 2

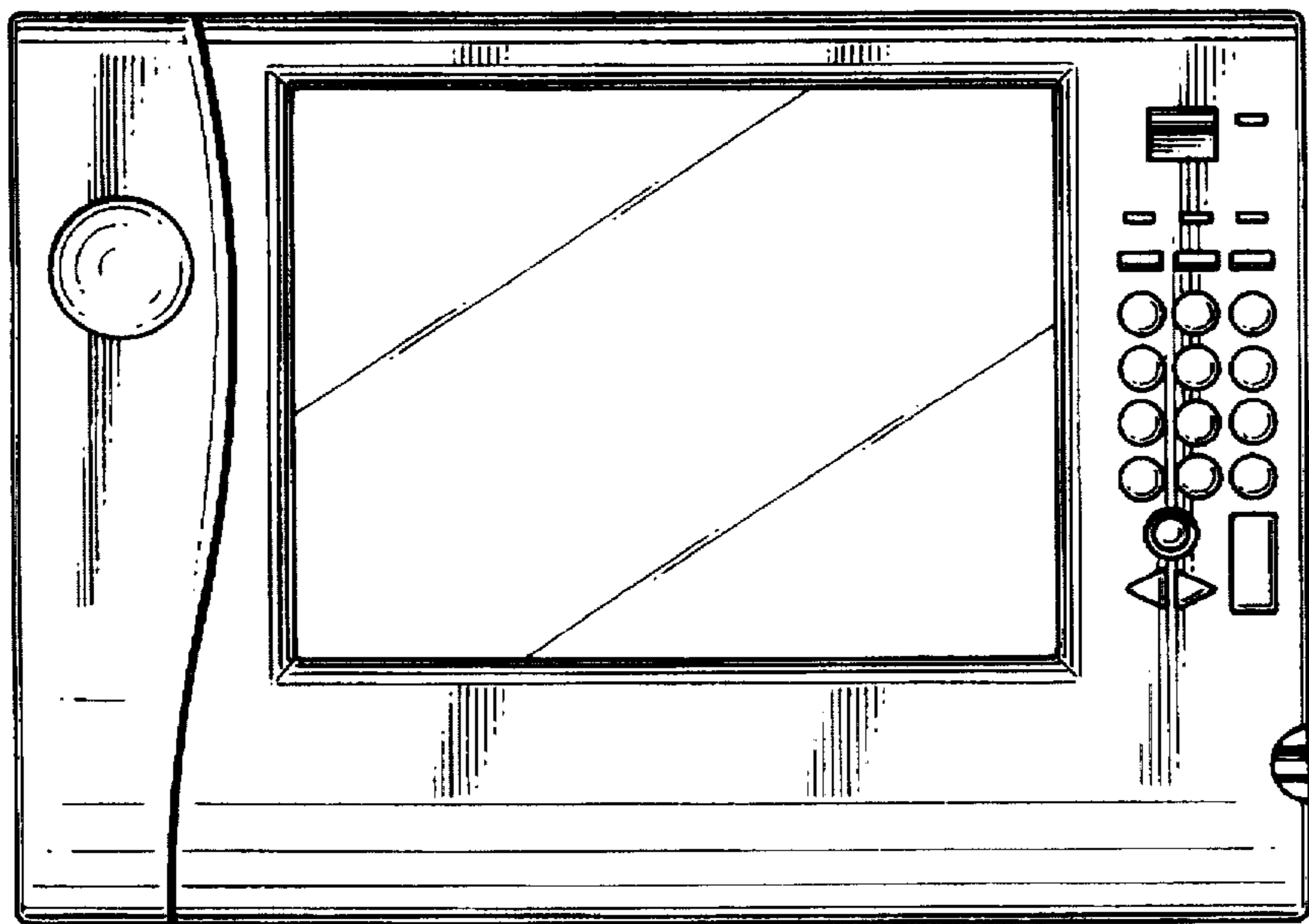


FIG. 3

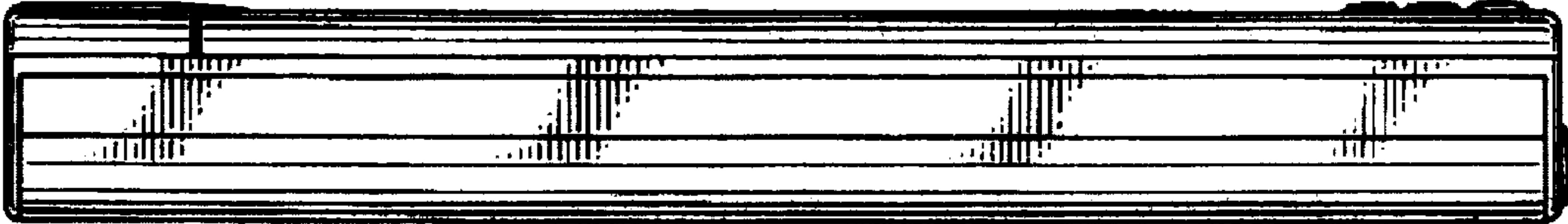


FIG. 4

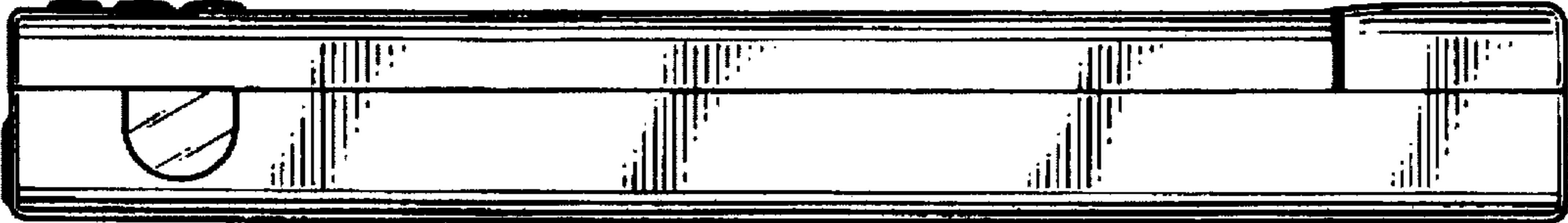


FIG. 5

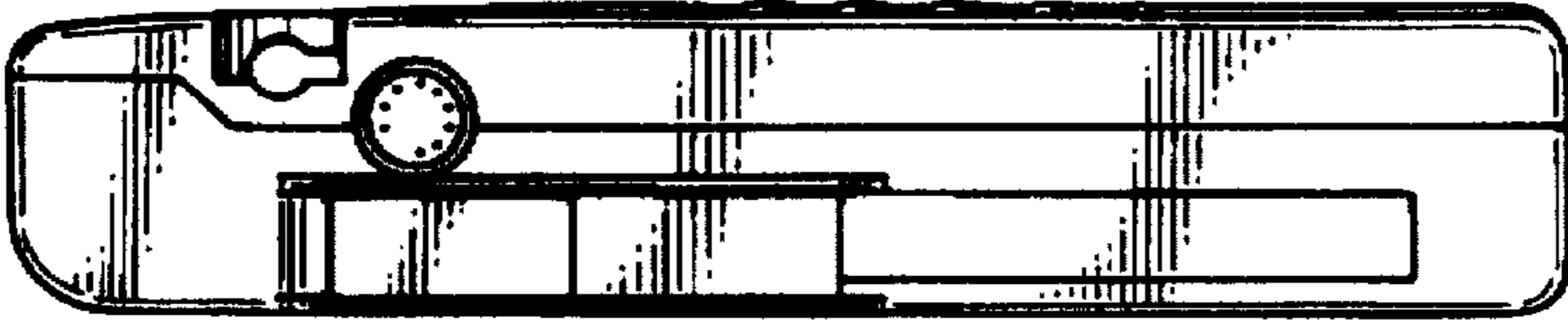


FIG. 6



FIG. 7

