



US00D392946S

United States Patent [19]
Elkins

[11] **Patent Number:** **Des. 392,946**
[45] **Date of Patent:** ****Mar. 31, 1998**

[54] **THREE COMPONENT COMMUNICATIONS
TERMINAL**

D. 358,807 5/1995 Ratcliffe et al. D14/100
5,396,269 3/1995 Gotoh et al. D14/101 X

[75] **Inventor:** **Erich Christian Elkins**, San Francisco,
Calif.

Primary Examiner—Freda Nunn
Attorney, Agent, or Firm—Greenblum & Bernstein, P.L.C.

[73] **Assignee:** **Siemens Switzerland, Ltd.**, Zurich,
Switzerland

[57] **CLAIM**

[**] **Term:** **14 Years**

The ornamental design for a three component commu-
nications terminal, as shown and described.

[21] **Appl. No.:** **54,611**

[22] **Filed:** **May 16, 1996**

[30] **Foreign Application Priority Data**

Nov. 16, 1995 [CH] Switzerland 122837

[51] **LOC (6) Cl.** **14-02**

[52] **U.S. Cl.** **D14/100; D14/130**

[58] **Field of Search** D14/100, 101,
D14/106, 113, 115, 124-127, 130; 235/145 A,
145 R; 341/22, 23; 345/104, 156, 168,
173, 87, 901-905; 361/680-686

DESCRIPTION

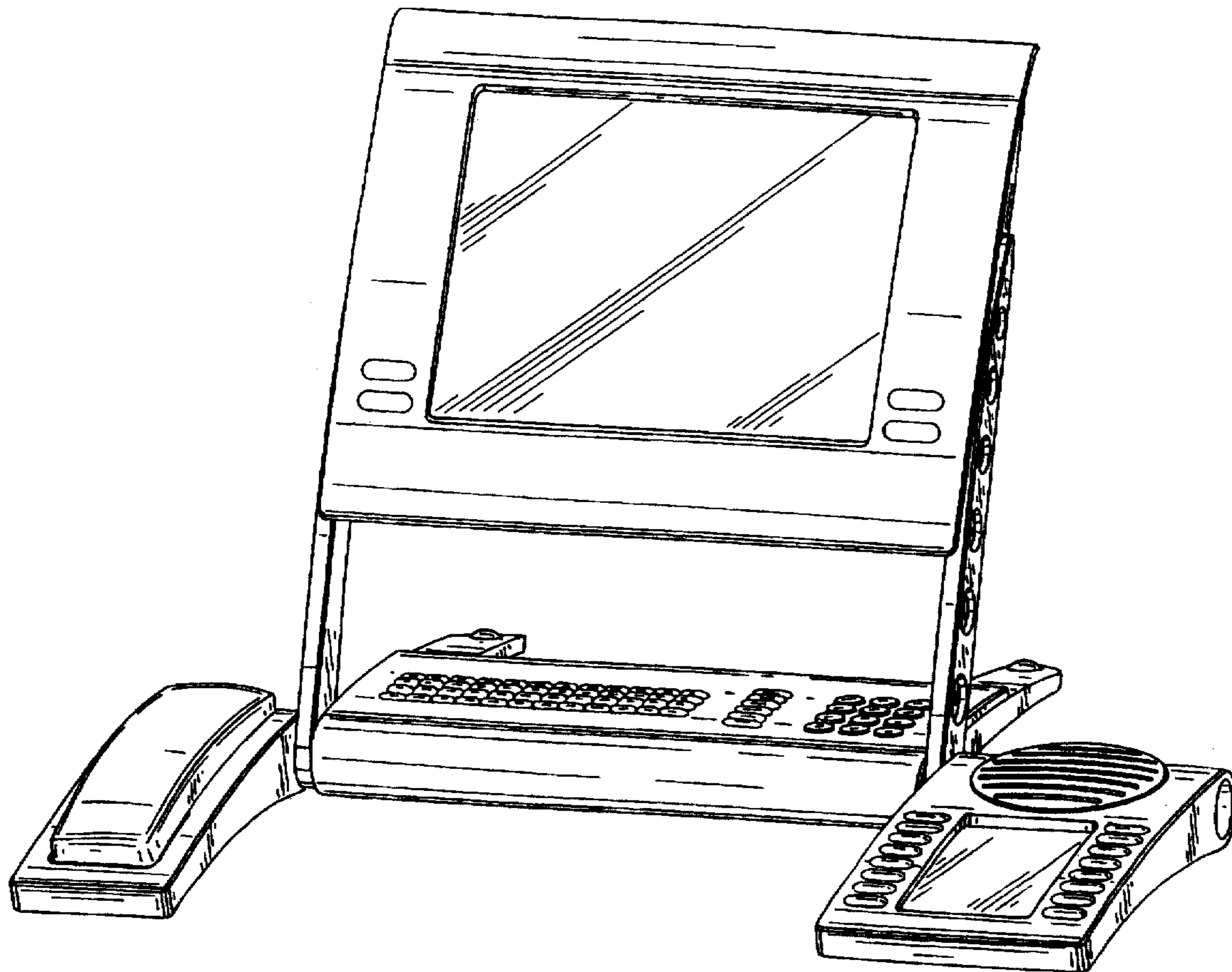
FIG. 1 is a front perspective view of a three component
communications terminal, showing my new design;
FIG. 2 is a front elevation view thereof;
FIG. 3 is a rear elevation view thereof;
FIG. 4 is a left side elevation view thereof;
FIG. 5 is a right side elevation view thereof;
FIG. 6 is a top plan view thereof;
FIG. 7 is a bottom plan view thereof;
FIG. 8 is a front perspective;
FIG. 9 is a further front perspective view thereof, showing
my new design in a second alternate position; and,
FIG. 10 is a still further front perspective view thereof,
showing my new design in a third alternate position.
FIGS. 2 through 10 show the telephone handset omitted for
ease of illustration only.

[56] **References Cited**

U.S. PATENT DOCUMENTS

D. 350,743 9/1994 Hicks, III et al. D14/101 X

1 Claim, 10 Drawing Sheets



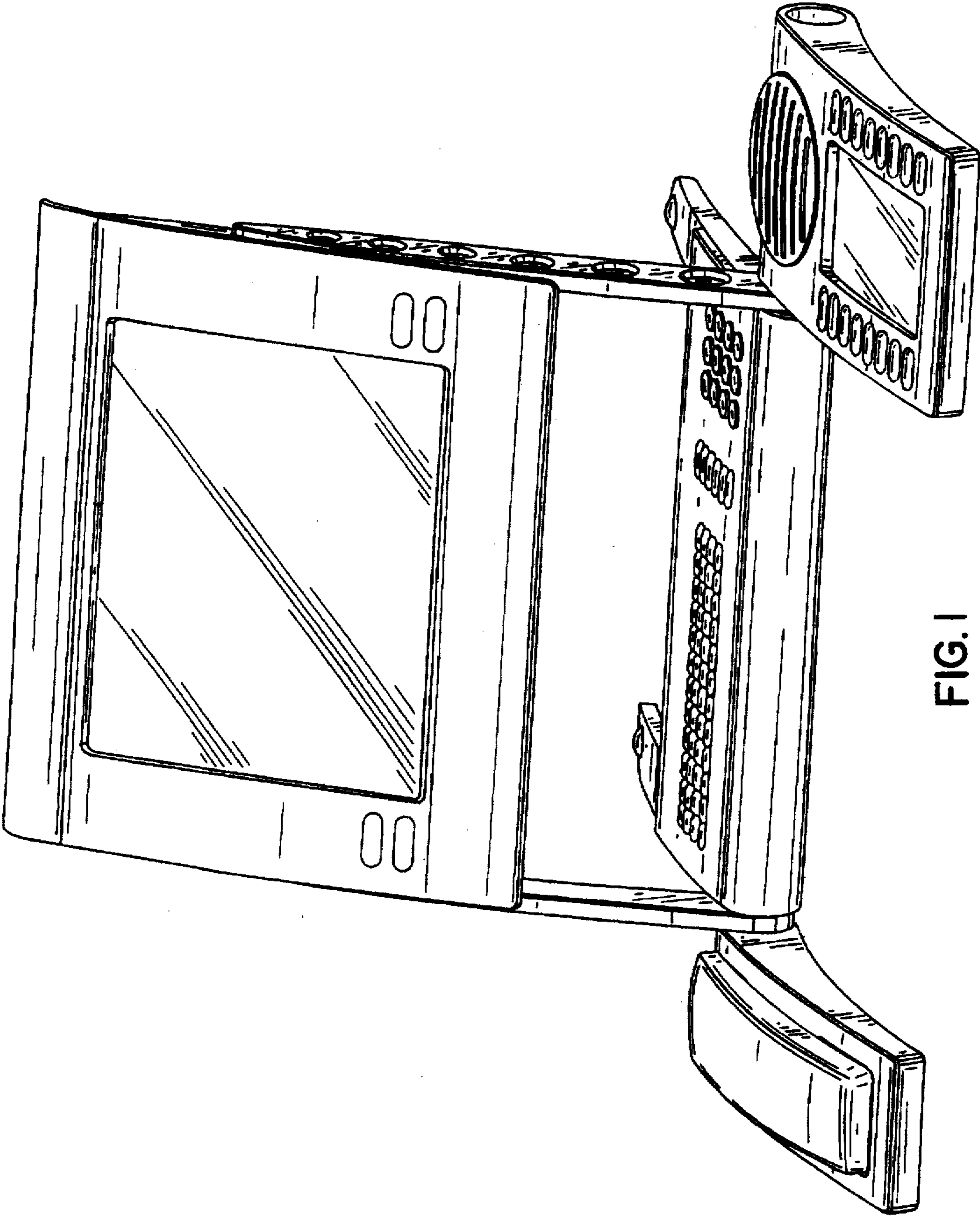


FIG. 1

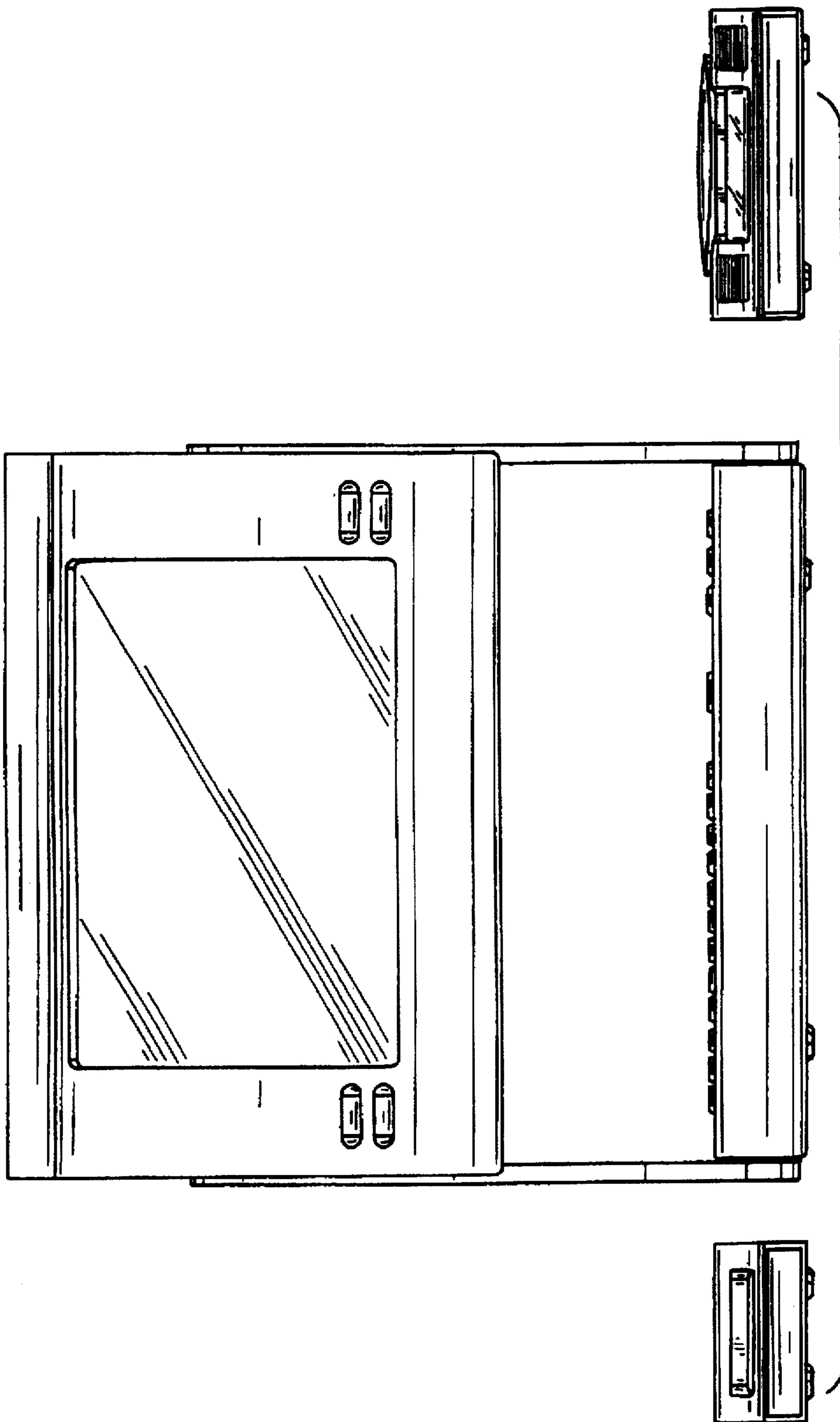


FIG. 2

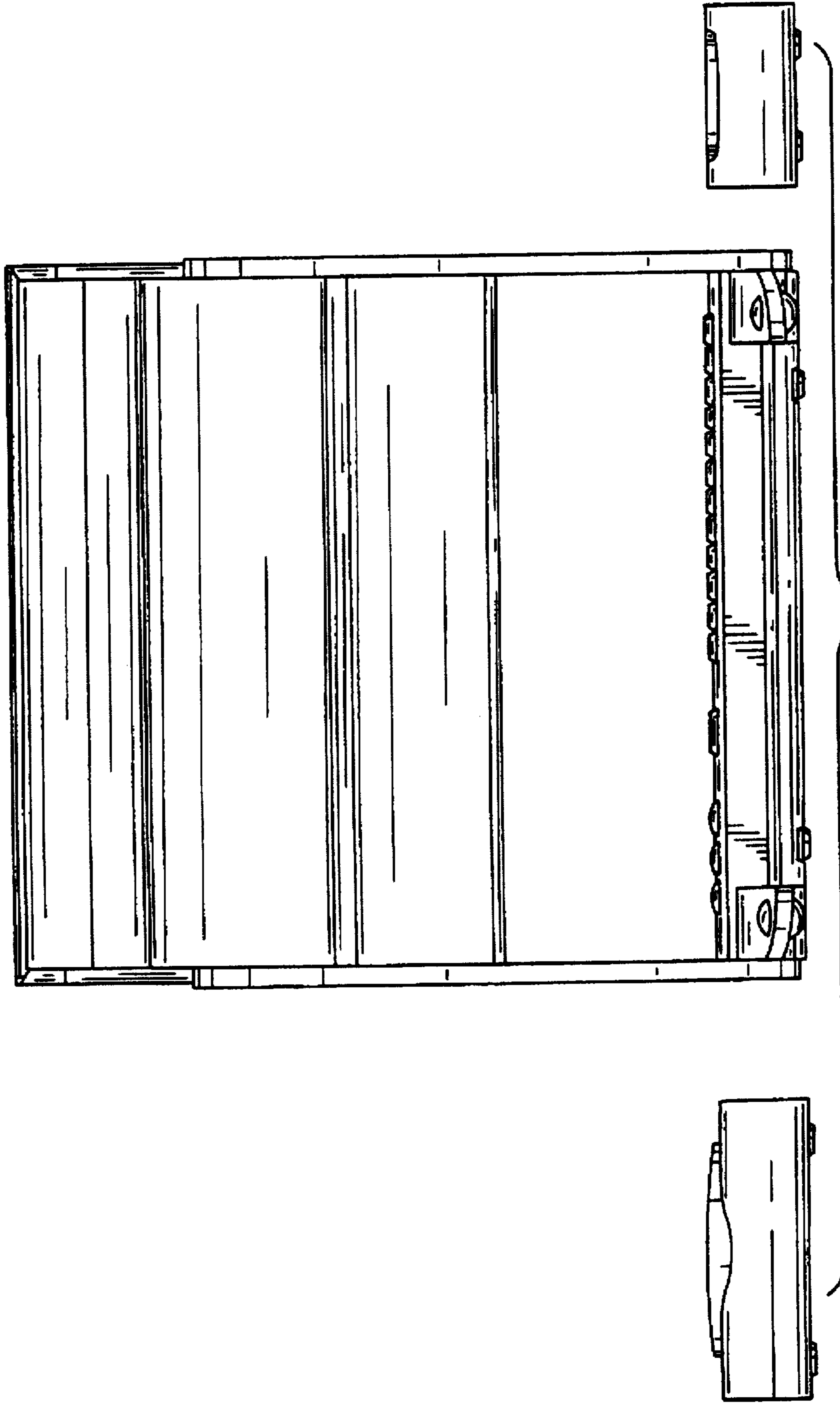


FIG. 3

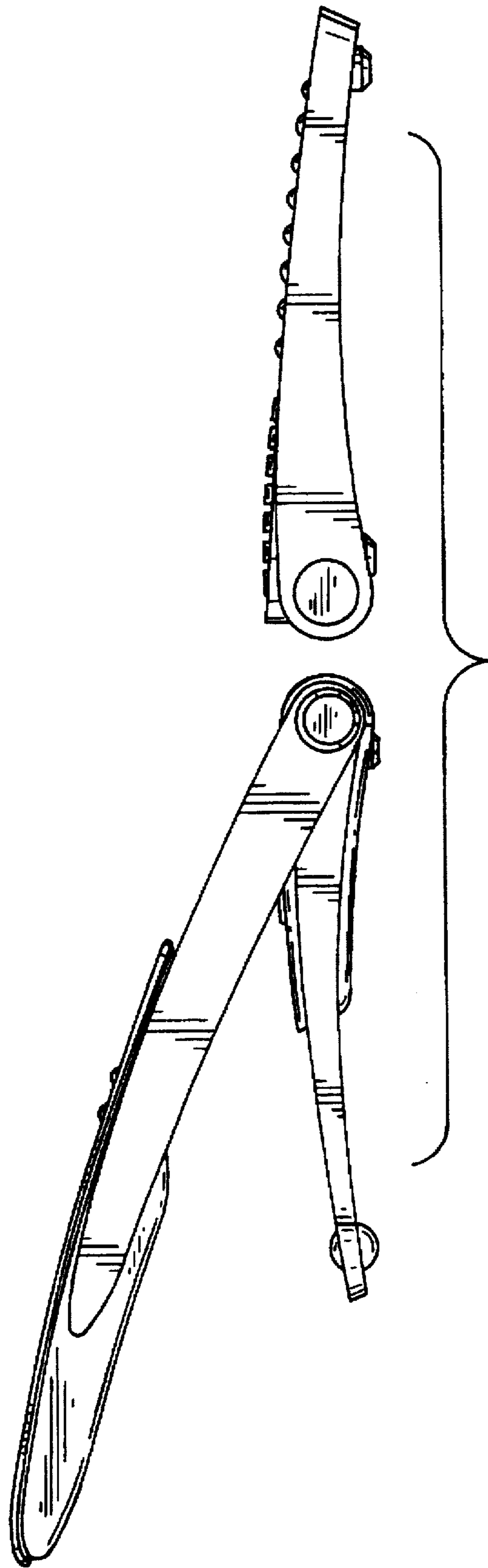


FIG.4

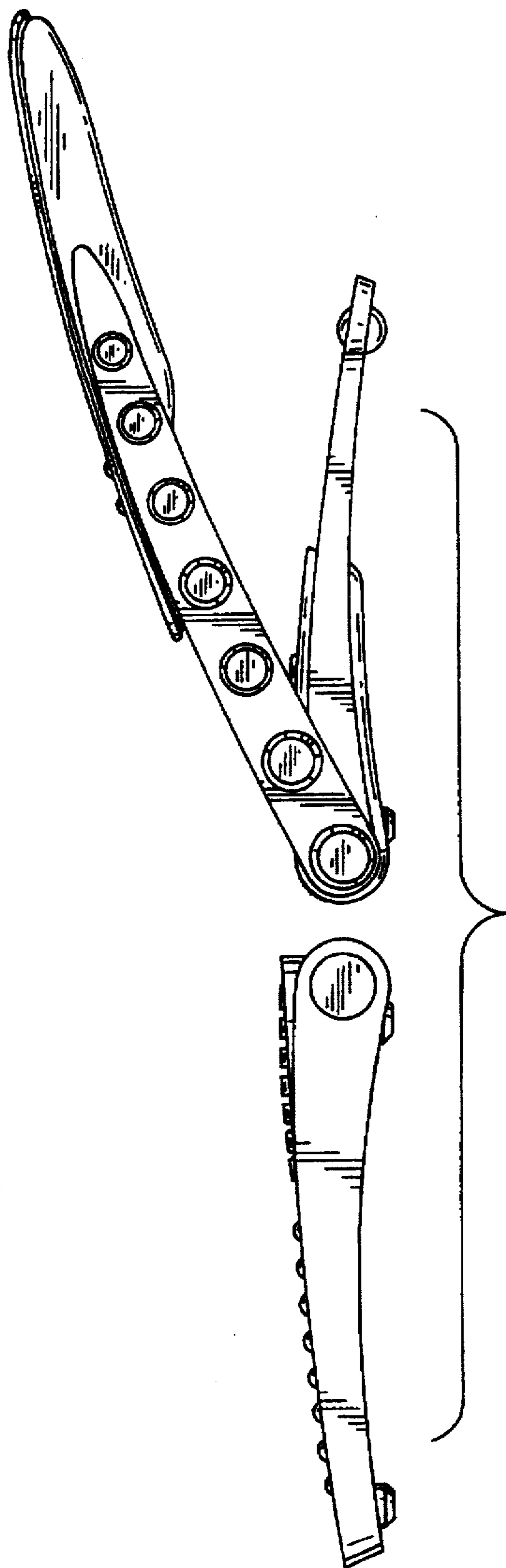


FIG. 5

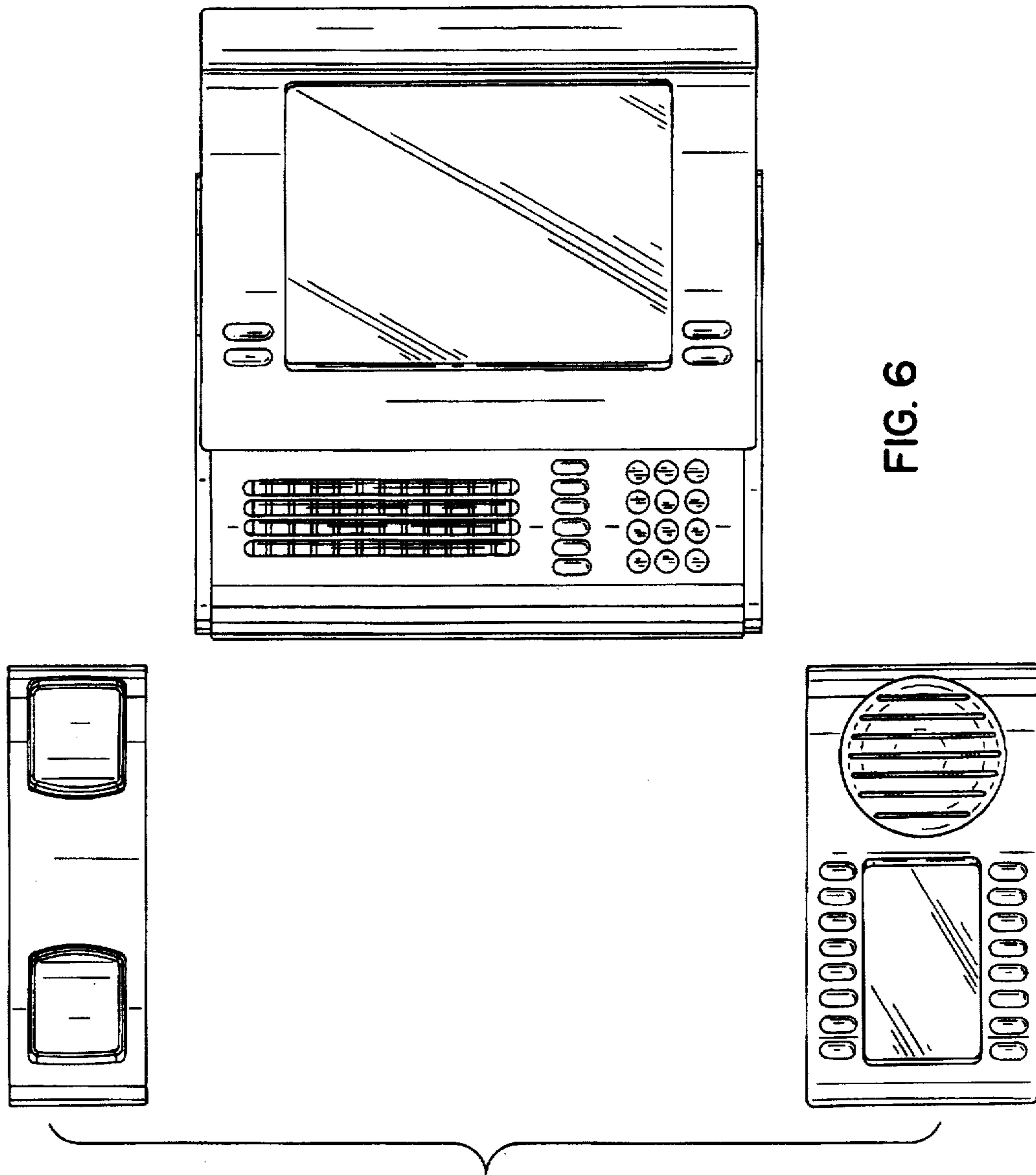


FIG. 6

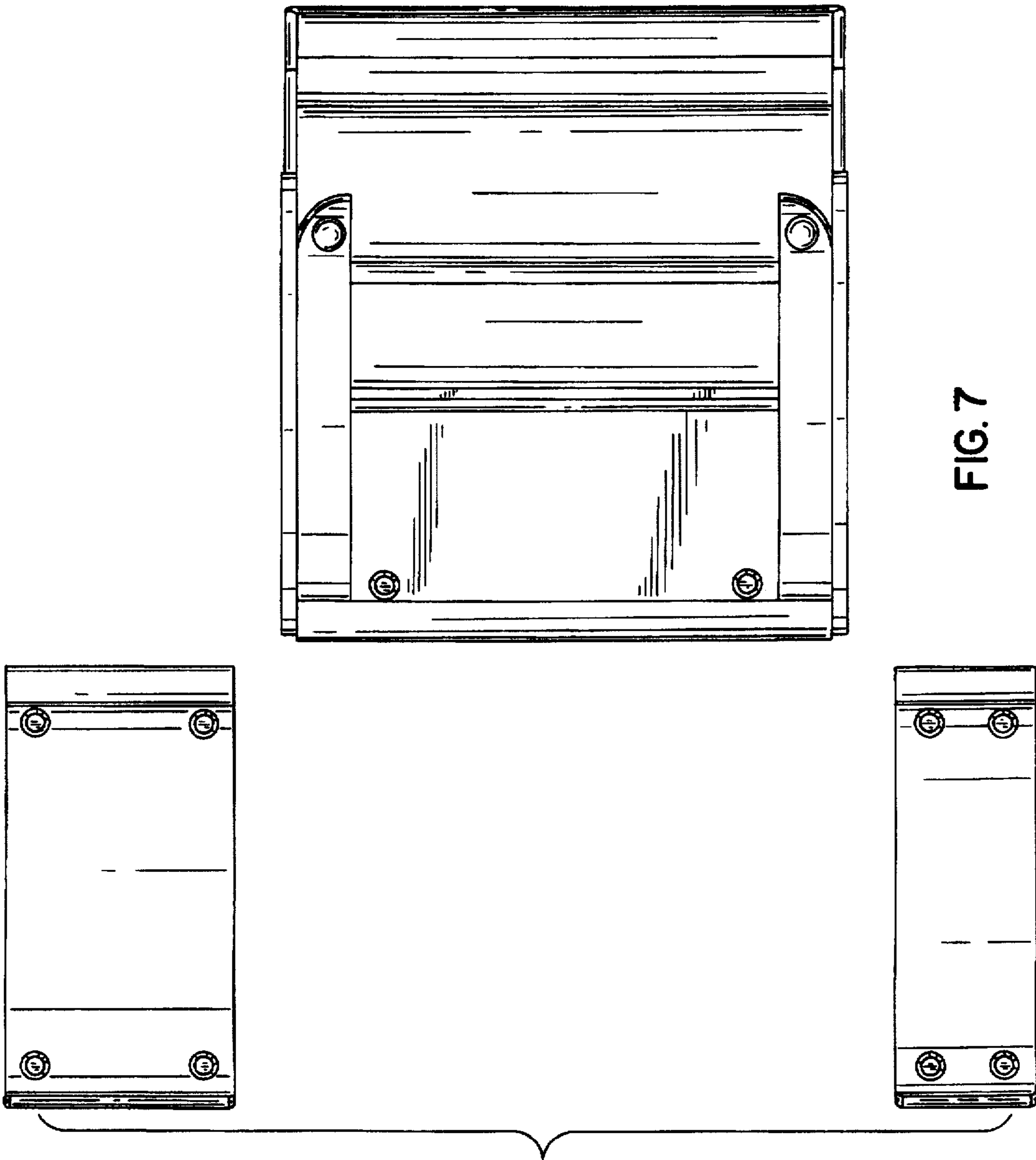


FIG. 7

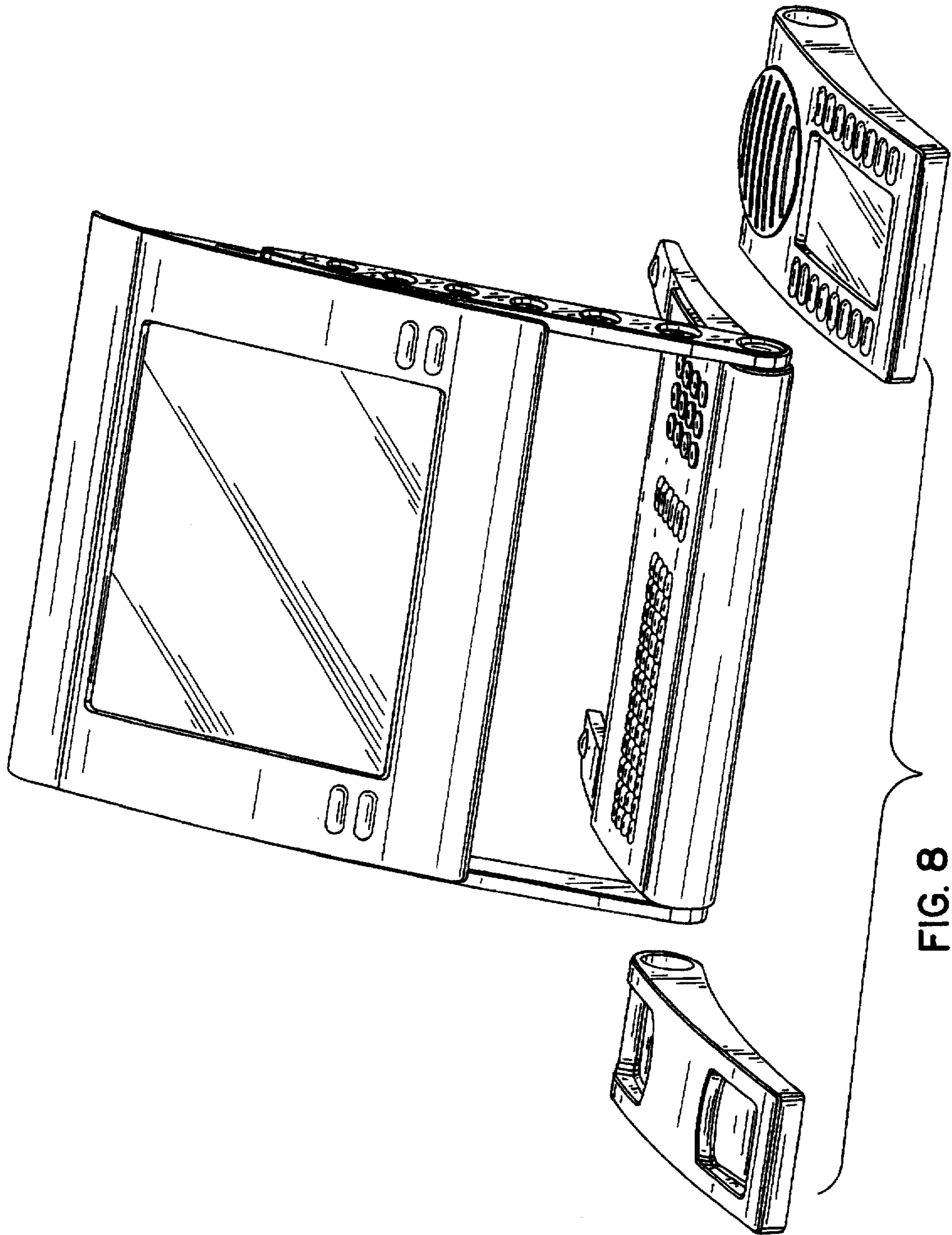


FIG. 8

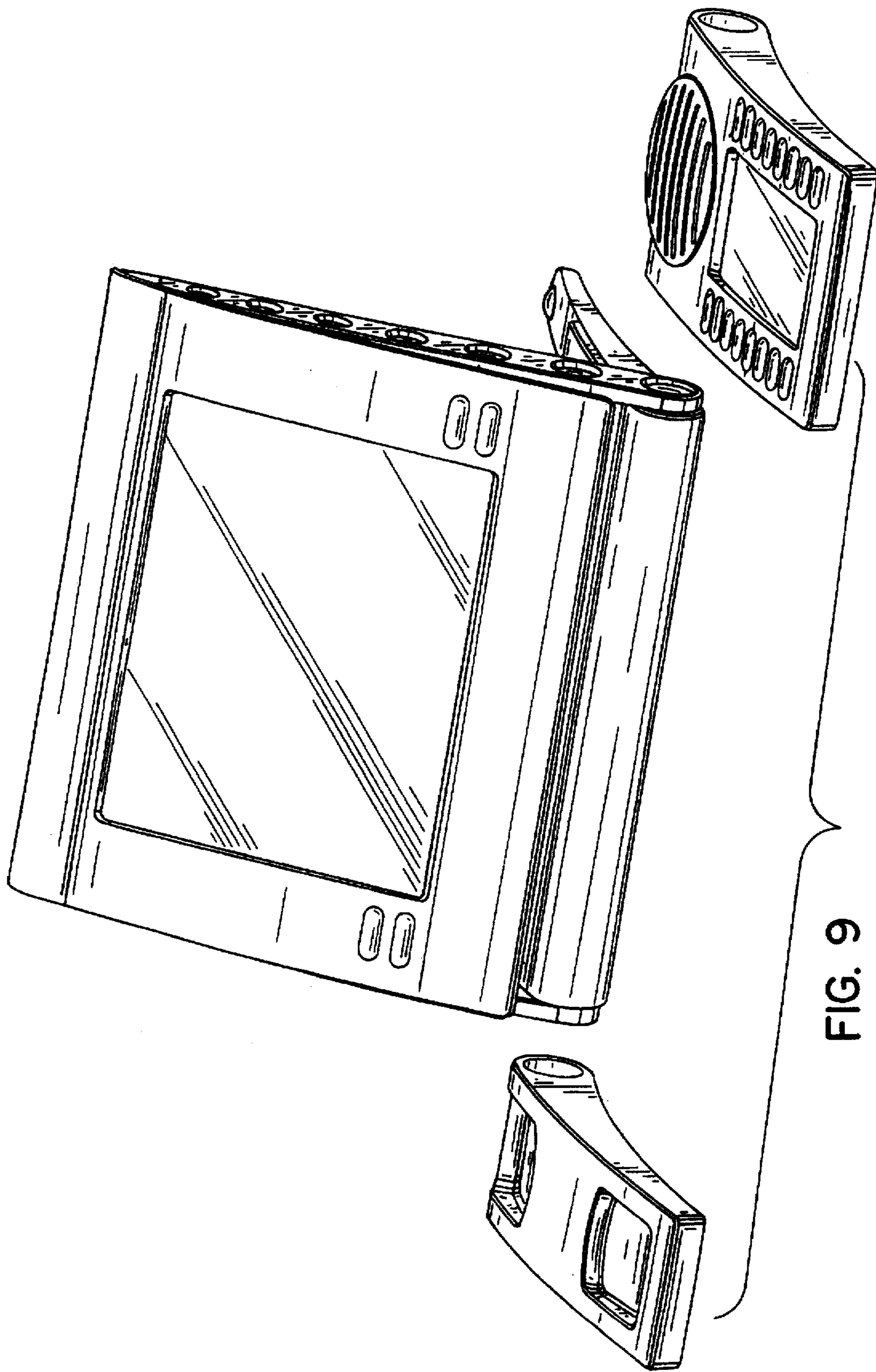


FIG. 9

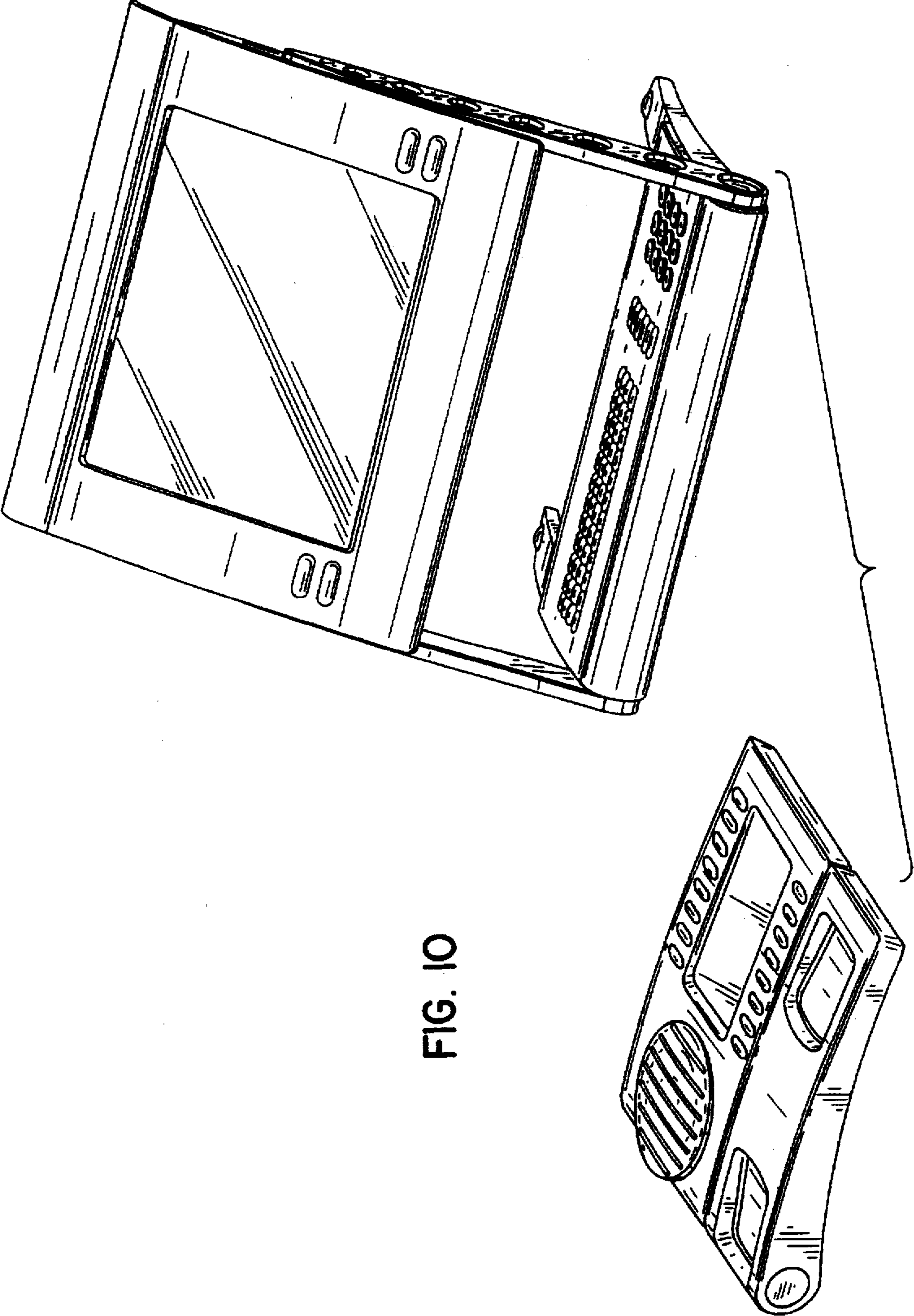


FIG. 10