



US00D392942S

United States Patent [19]
Lee

[11] **Patent Number: Des. 392,942**
[45] **Date of Patent: ***Mar. 31, 1998**

[54] **CABLE ASSEMBLY WITH POD HOUSING**

[75] **Inventor: Noel Lee, Daly City, Calif.**

[73] **Assignee: Monster Cable International, Ltd.,
Bermuda**

[*] **Notice: The portion of the term of this patent
subsequent to Dec. 16, 2011, has been
disclaimed.**

[**] **Term: 14 Years**

[21] **Appl. No.: 58,444**

[22] **Filed: Aug. 15, 1996**

[51] **LOC (6) Cl. 13-03**

[52] **U.S. Cl. D13/147**

[58] **Field of Search D13/146, 147,
D13/133, 132; 439/402, 499, 606, 623,
626; 174/71 R, 71 C, 72 R, DIG. 8**

[56] **References Cited**

U.S. PATENT DOCUMENTS

D. 55,071	5/1920	Moffat	D13/132
D. 191,399	9/1961	Leach	D13/146
D. 301,457	6/1989	Friederichs	D13/147
D. 347,208	5/1994	Martin et al.	D13/133

2,748,359	5/1956	Swan	.
4,632,121	12/1986	Johnson et al.	.
4,864,632	9/1989	Moriyama et al.	.
5,064,967	11/1991	Singhartl	.
5,322,972	6/1994	Fitch et al. 174/DIG. 8 X

FOREIGN PATENT DOCUMENTS

473497	7/1969	Switzerland	.
WO 92/00623	1/1992	WIPO	.

Primary Examiner—Alan P. Douglas
Assistant Examiner—Lavone D. Tabor
Attorney, Agent, or Firm—Haynes and Boone, L.L.P.

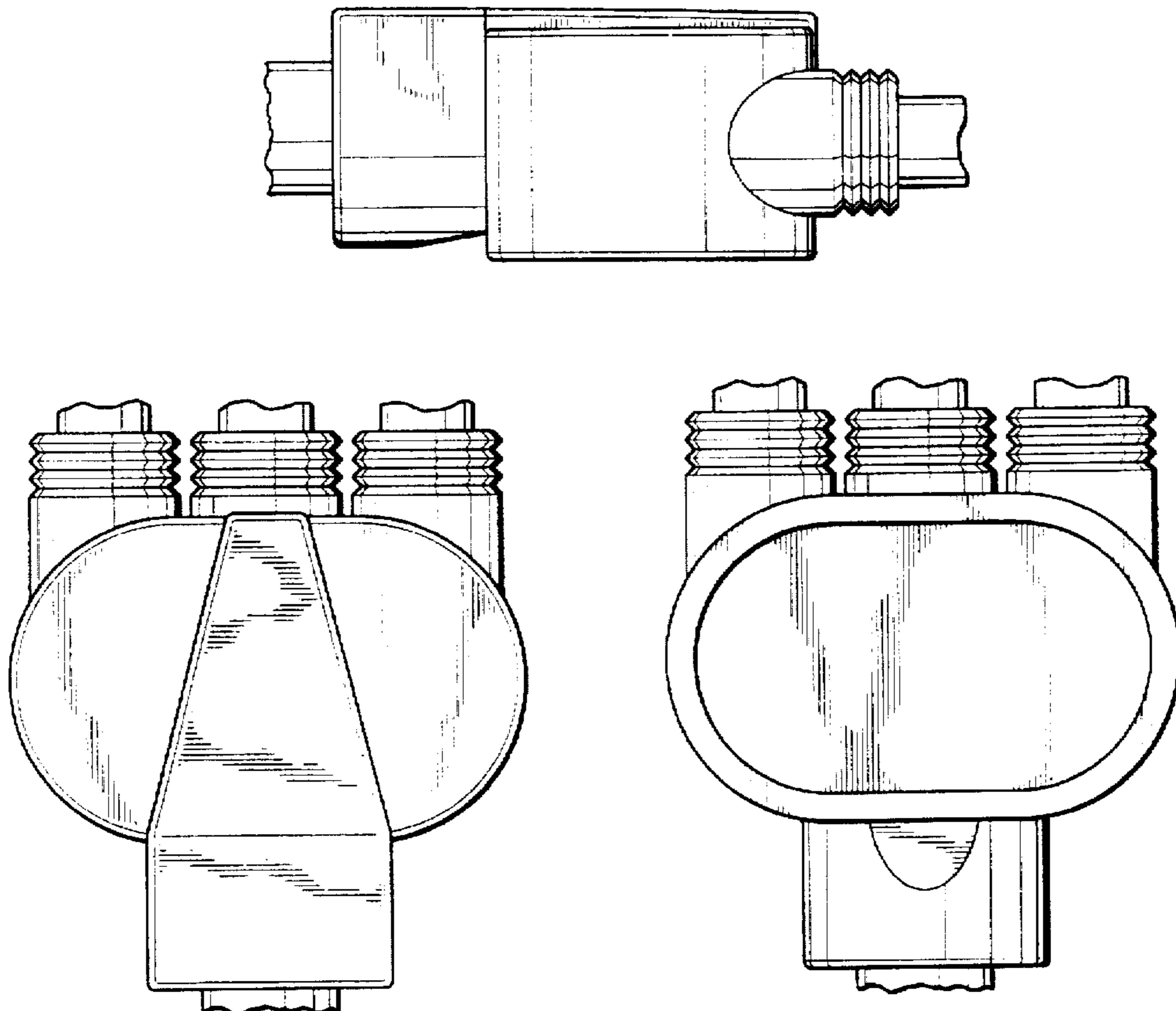
[57] **CLAIM**

The ornamental design for a cable assembly with pod housing, as shown and described.

DESCRIPTION

FIG. 1 is a view from one side of the cable assembly with pod housing showing my new design; FIG. 2 is a front elevational view thereof; FIG. 3 is a view from the other side thereof; FIG. 4 is a rear view thereof; and FIG. 5 is a top view thereof; and, FIG. 6 is a bottom view thereof.

1 Claim, 1 Drawing Sheet



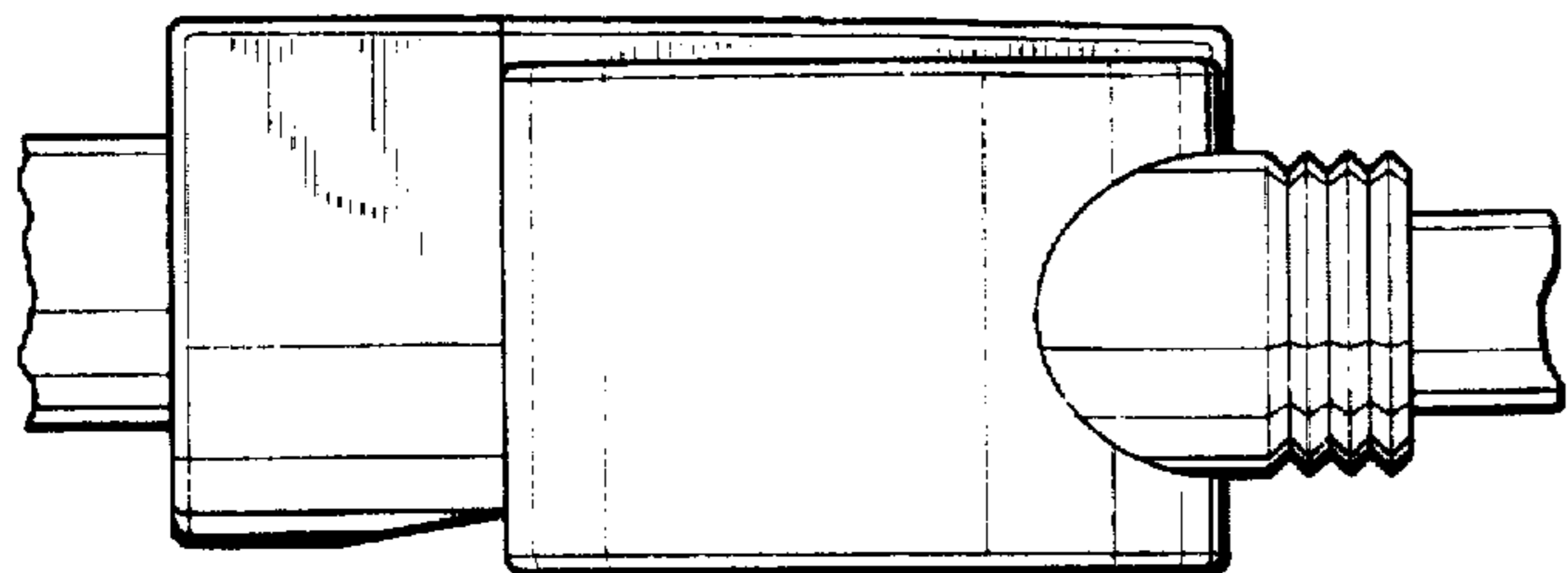


FIG. 1

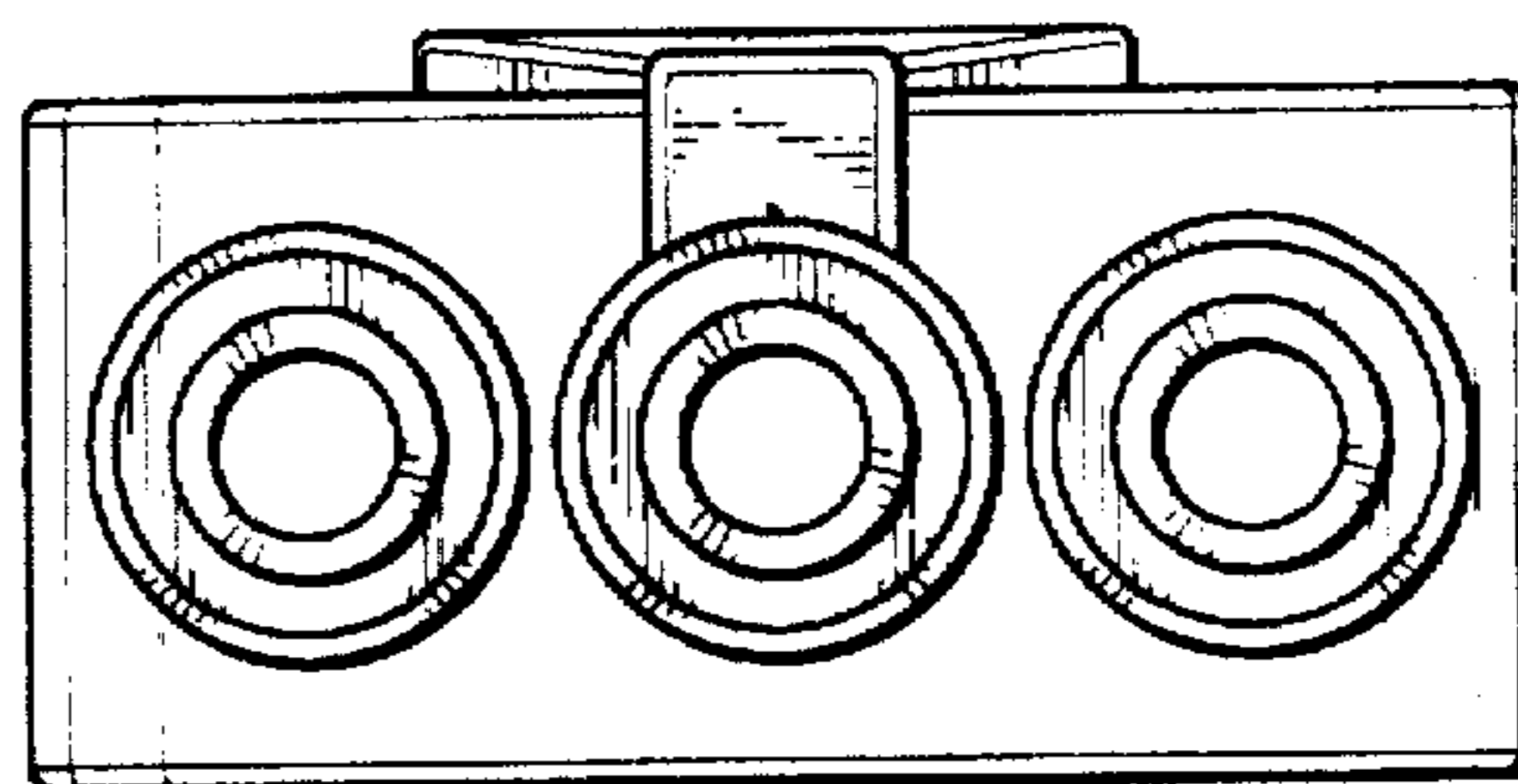


FIG. 2

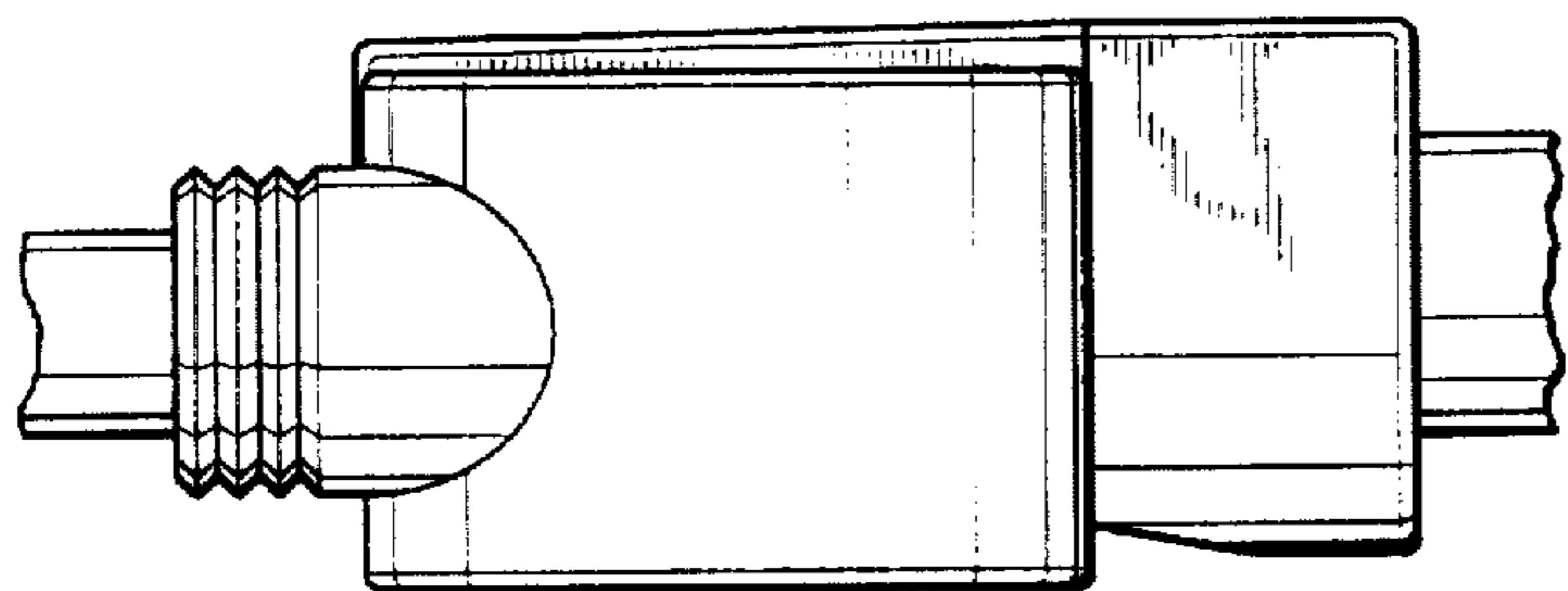


FIG. 3

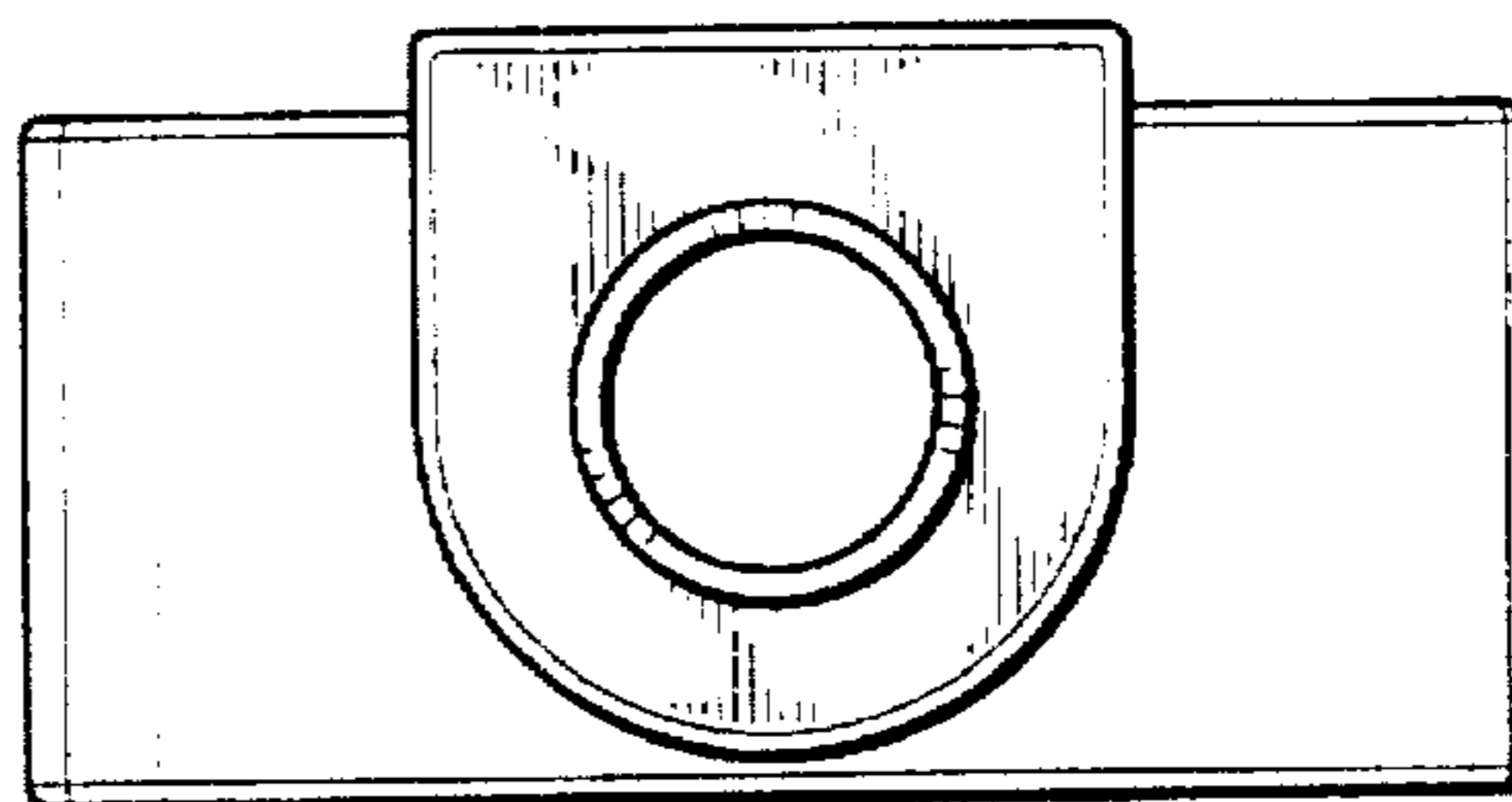


FIG. 4

FIG. 5

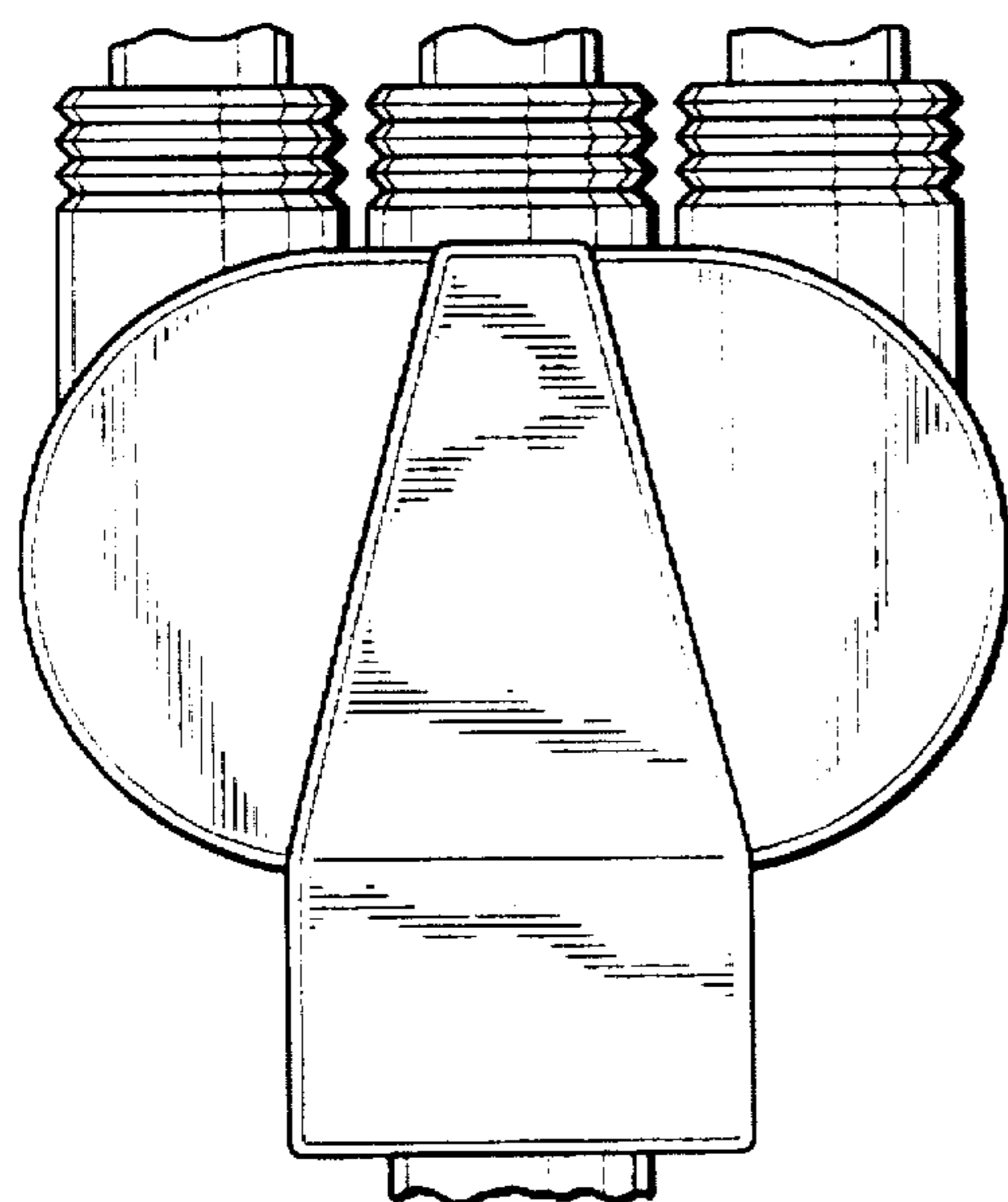
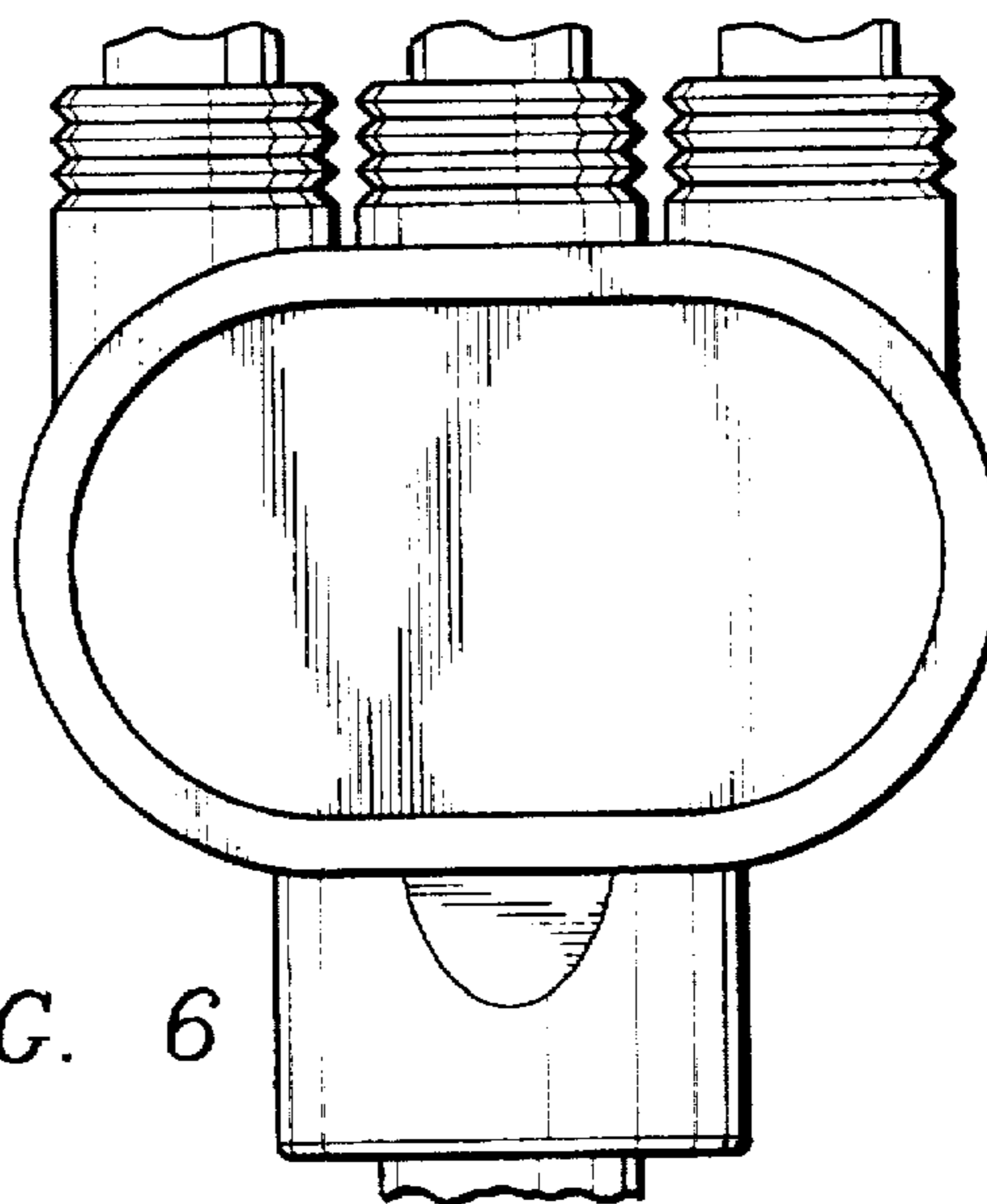


FIG. 6



UNITED STATES PATENT AND TRADEMARK OFFICE
CERTIFICATE OF CORRECTION

PATENT NO. : Des. 392,942
DATED : March 31, 1998
INVENTOR(S) : Noel Lee

It is certified that error appears in the above-identified patent and that said Letters Patent is hereby corrected as shown below:

On the title page item [73], "Monster Cable Internationa, Ltd." to
--Monster Cable International, Ltd.--.

Signed and Sealed this
Eighteenth Day of August, 1998



Attest:

BRUCE LEHMAN

Attesting Officer

Commissioner of Patents and Trademarks