



US00D392940S

**United States Patent** [19]  
**Shen**

[11] **Patent Number: Des. 392,940**  
[45] **Date of Patent: \*\*Mar. 31, 1998**

[54] **TRANSFORMER**  
[75] **Inventor: Wei-Hong Shen, Taipei, Taiwan**  
[73] **Assignee: Davinci Industries Inc., Taipei Hsien, Taiwan**  
[\*\*] **Term: 14 Years**  
[21] **Appl. No.: 57,681**  
[22] **Filed: Jul. 30, 1996**  
[51] **LOC (6) Cl. .... 13-02**  
[52] **U.S. Cl. .... D13/110**  
[58] **Field of Search .... D13/101, 110, D13/184; 73/861.76; 307/150, 151; 363/15, 146; 336/90; 361/836; D26/138**

4,073,189 2/1978 Draper ..... 73/861.76  
5,483,437 1/1996 Tang ..... 363/146

*Primary Examiner*—Gary D. Watson  
*Assistant Examiner*—Cathron B. Matta  
*Attorney, Agent, or Firm*—Morton J. Rosenberg; David I. Klein; Jun Y. Lee

[57] **CLAIM**

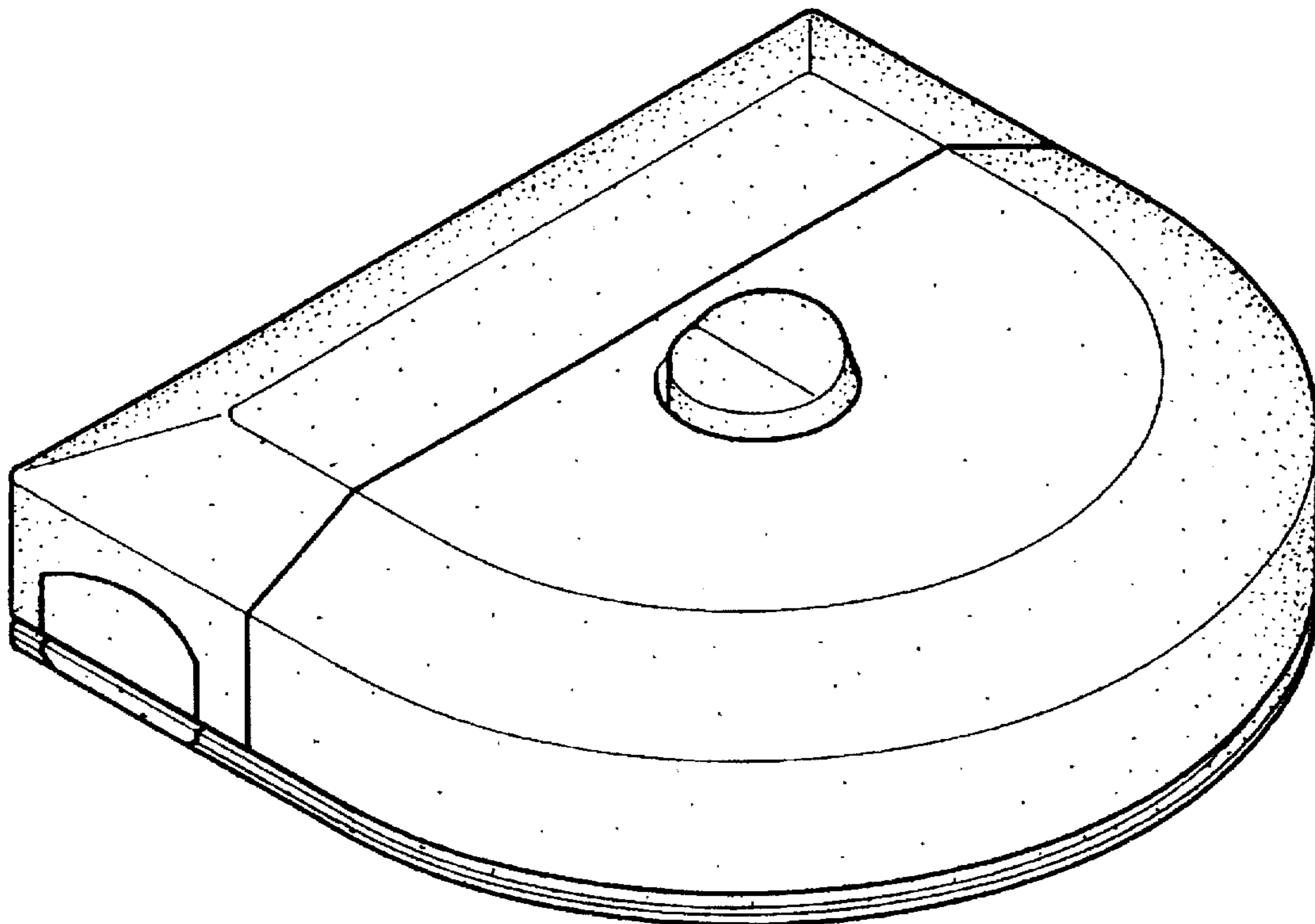
The ornamental design for transformer, as shown and described.

**DESCRIPTION**

FIG. 1 is the perspective view of a "transformer" showing my new design;  
FIG. 2 is the front elevational view thereof;  
FIG. 3 is the rear elevational view thereof;  
FIG. 4 is the left side elevational view thereof;  
FIG. 5 is the right side elevational view thereof;  
FIG. 6 is the top plan view thereof; and,  
FIG. 7 is the bottom plan view thereof.

[56] **References Cited**  
**U.S. PATENT DOCUMENTS**  
D. 251,085 2/1979 Fanshawe ..... D13/101

**1 Claim, 5 Drawing Sheets**



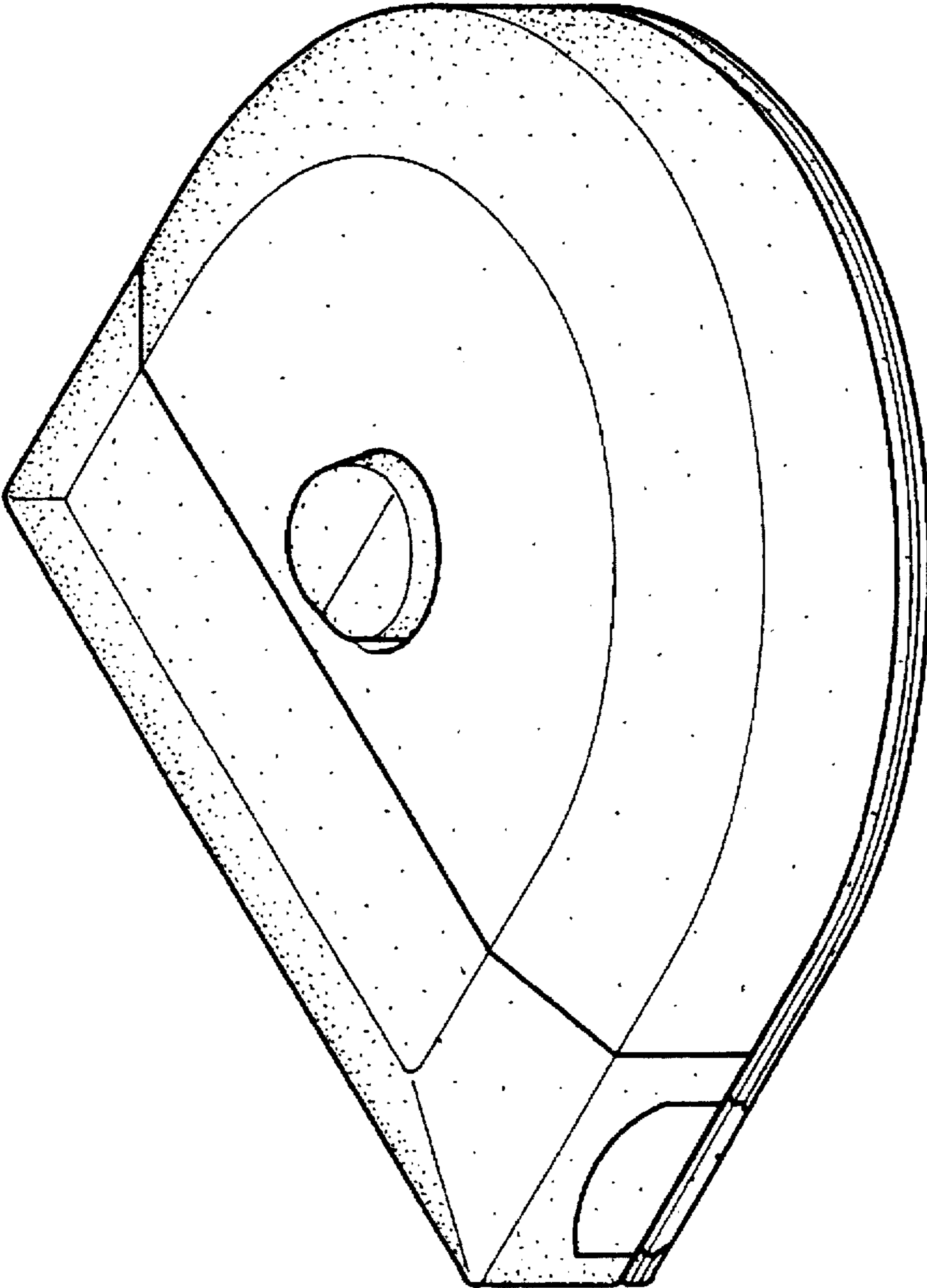


FIG. 1

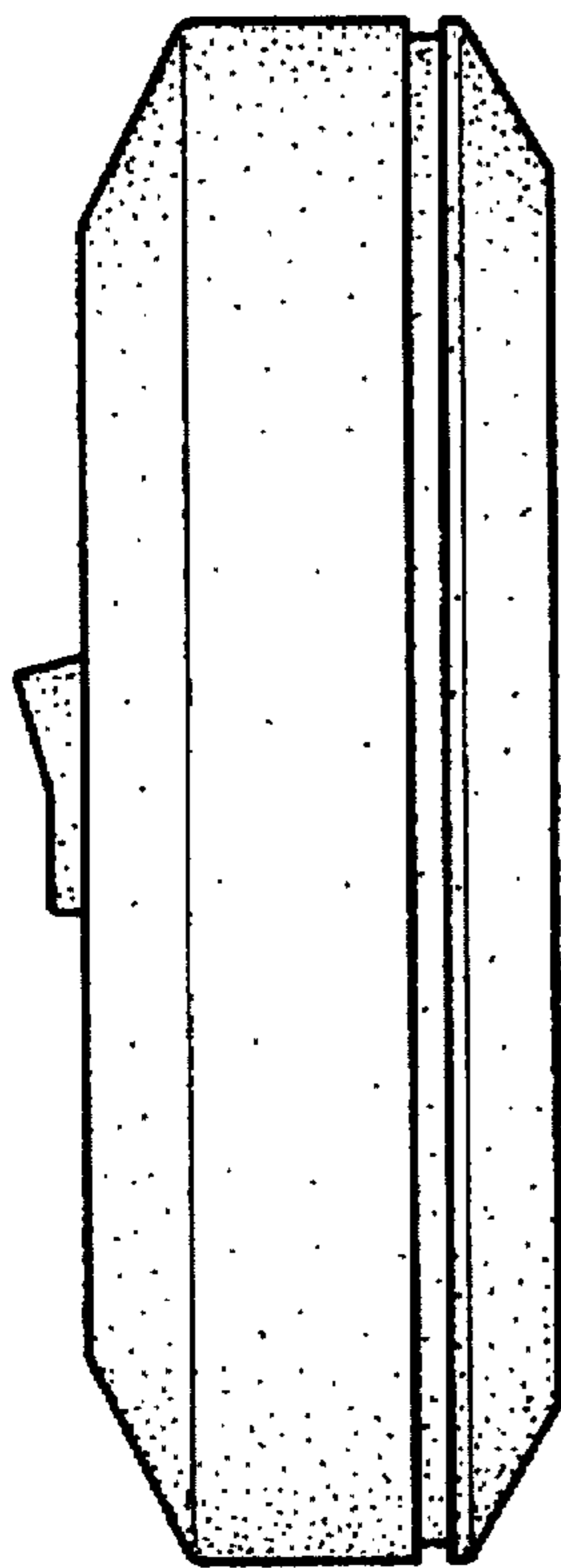


FIG. 2

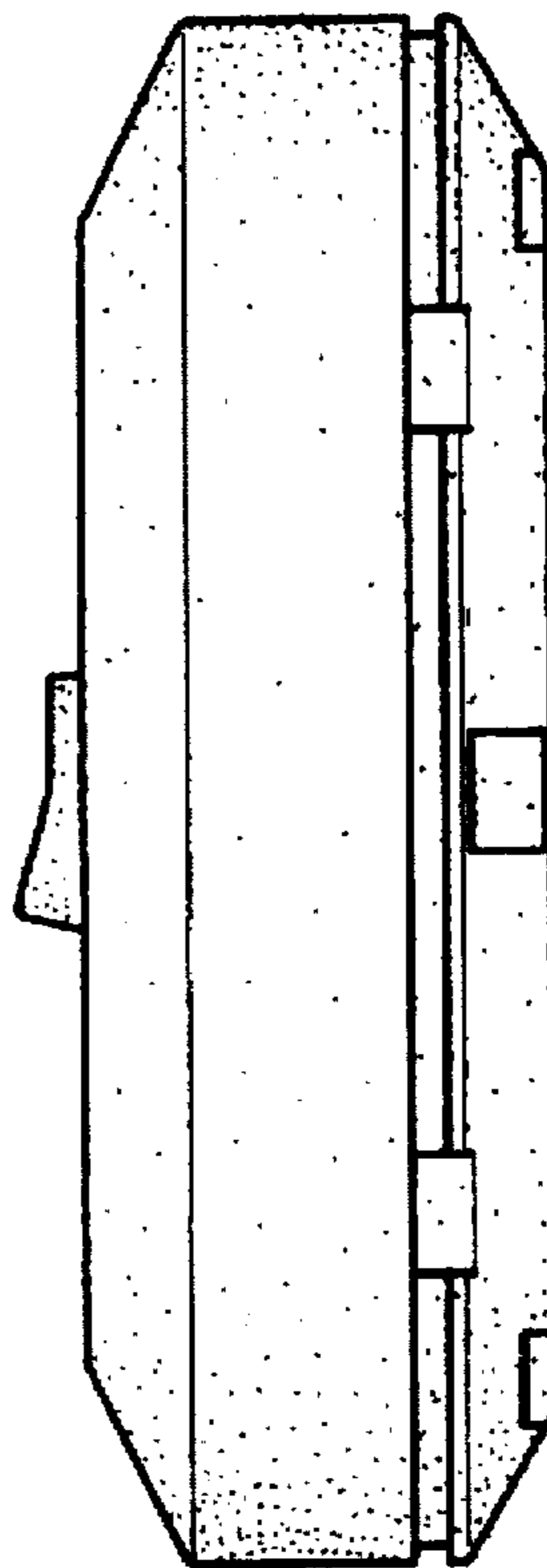


FIG. 3

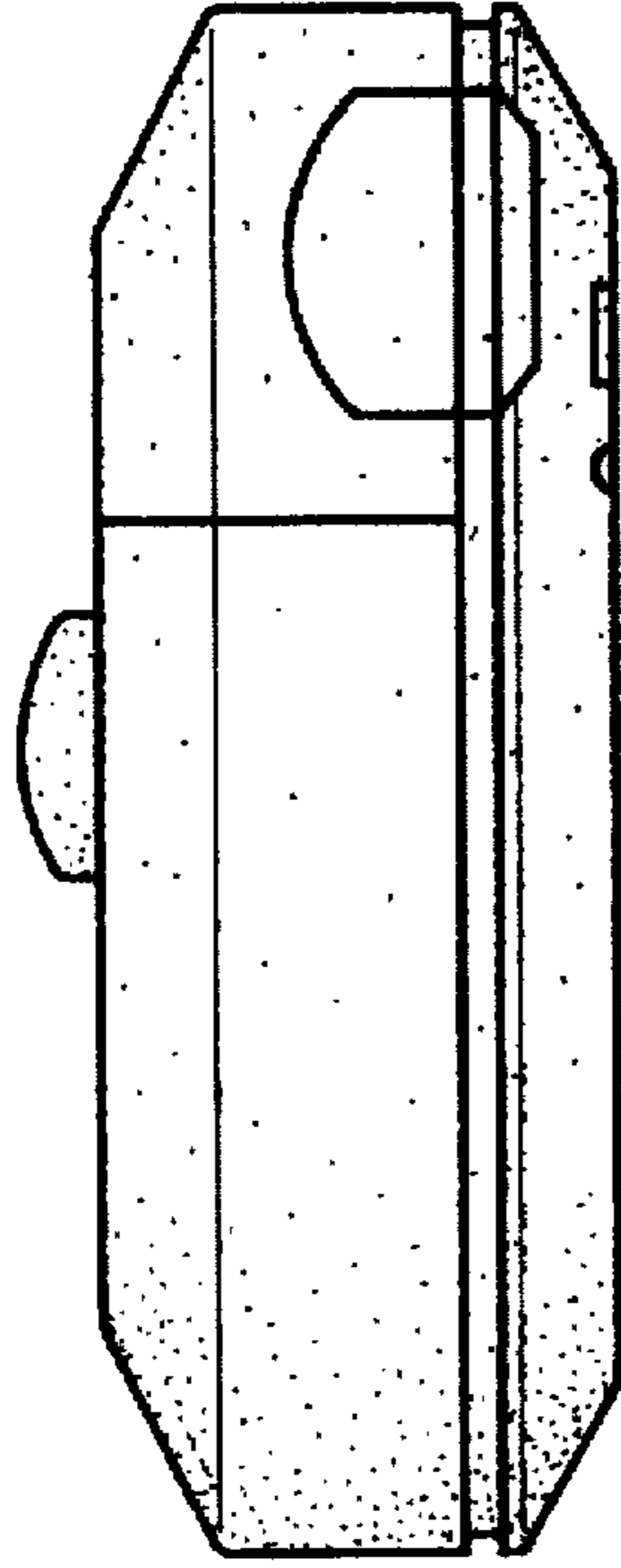


FIG. 5

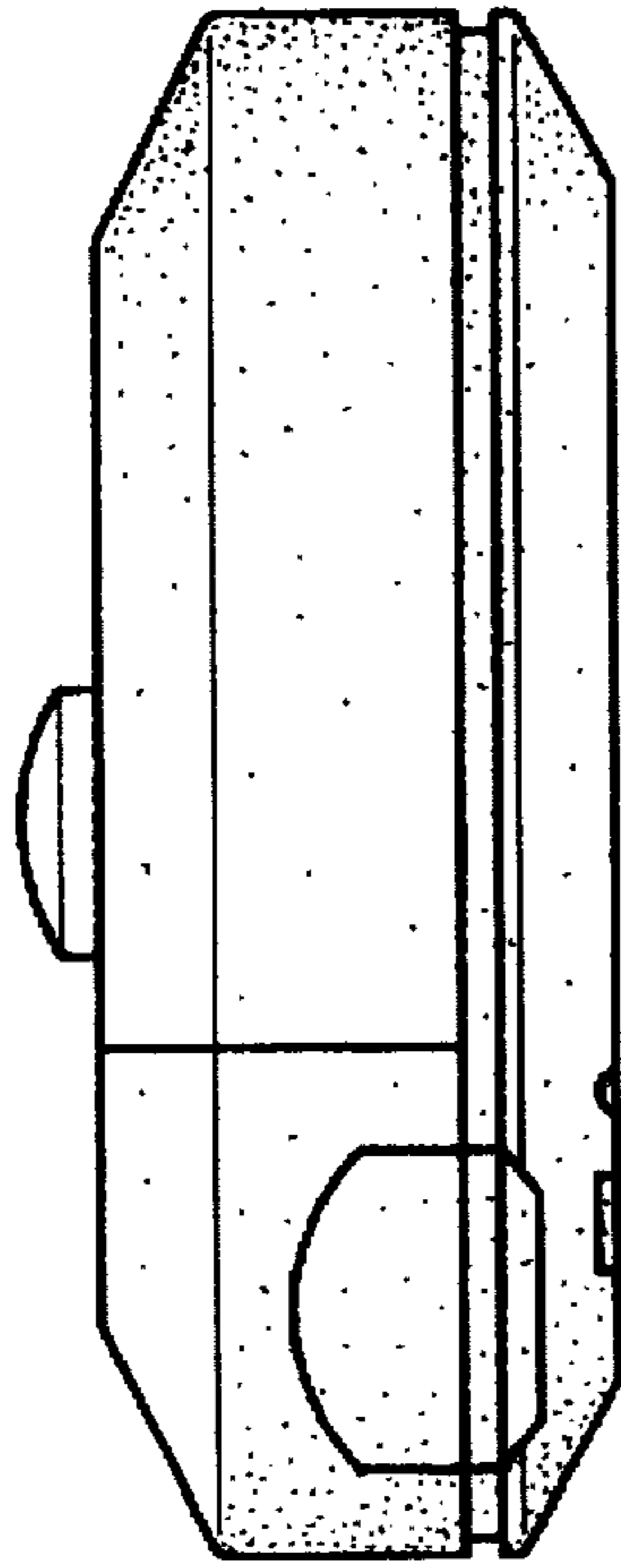


FIG. 4

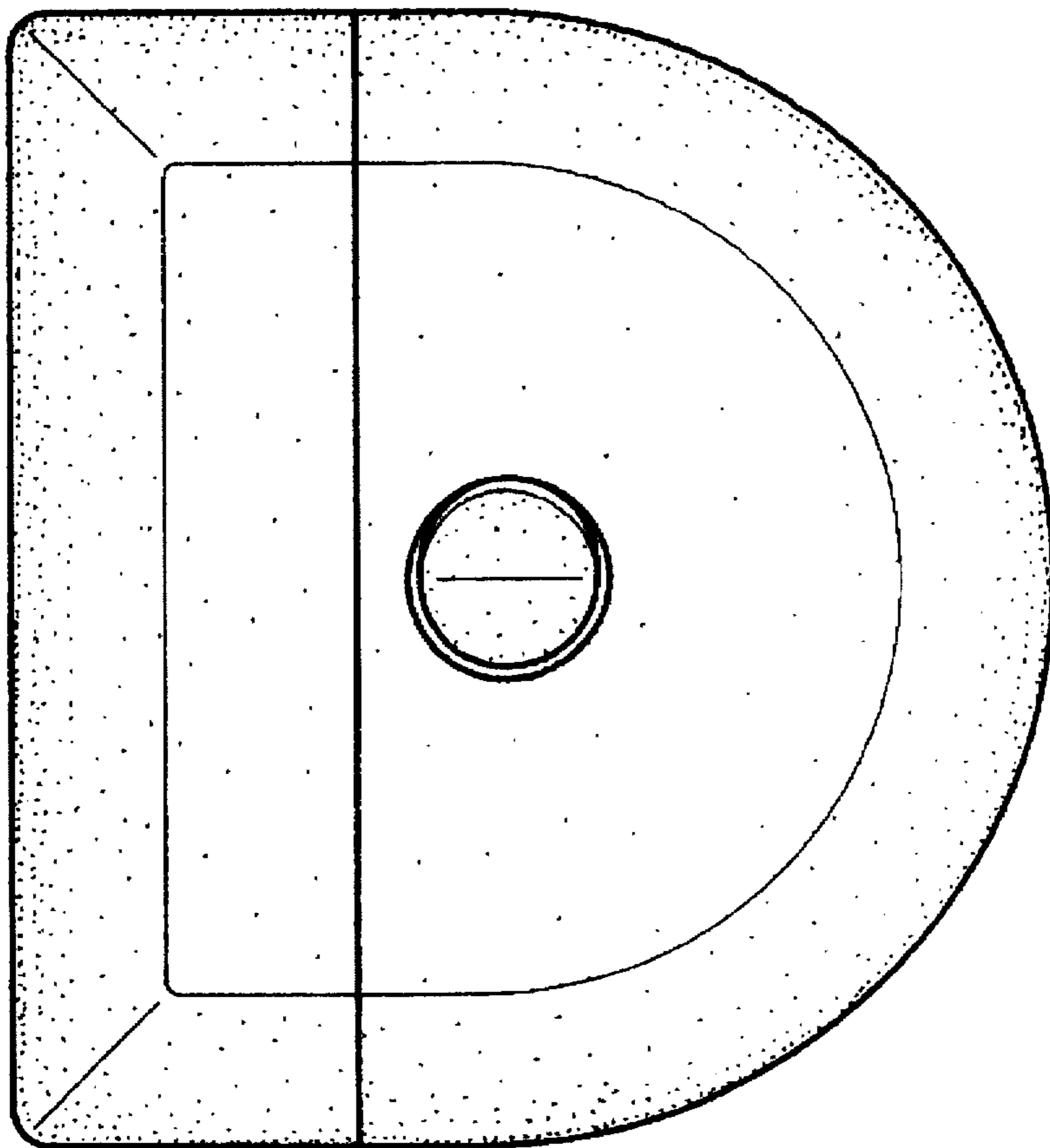


FIG. 6

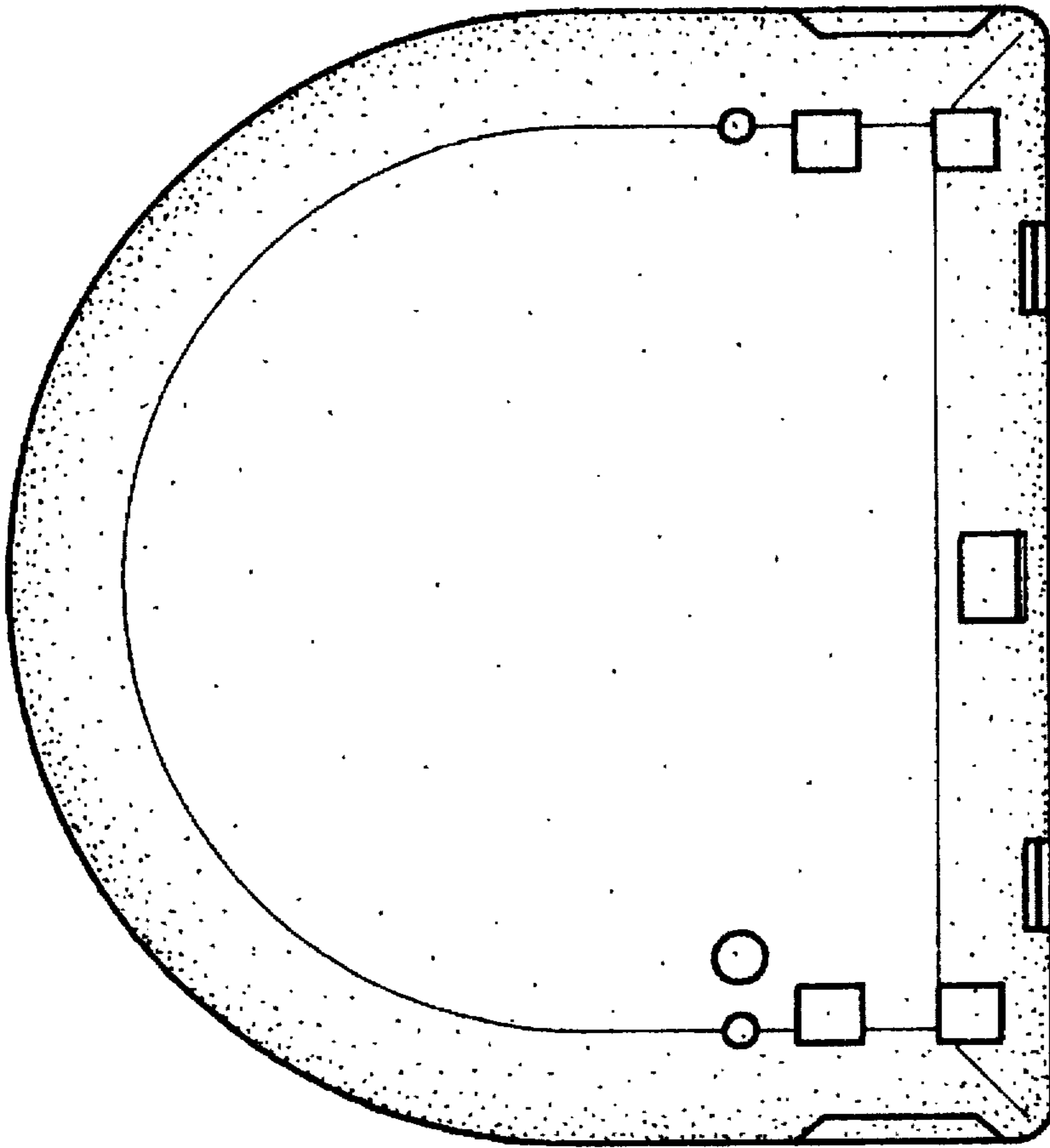


FIG. 7