

US00D392938S

United States Patent [19] Sylvester

[11] Patent Number: Des. 392,938
[45] Date of Patent: **Mar. 31, 1998

[54] CARGO BARRIER FOR A VEHICLE INTERIOR

[76] Inventor: David M. Sylvester, 826 Abbey La., Findlay, Ohio 45840

[**] Term: 14 Years

[21] Appl. No.: 60,626

[22] Filed: Oct. 2, 1996

[51] LOC (6) Cl. 12-16

[52] U.S. Cl. D12/426

[58] Field of Search D12/400, 406, D12/412-414, 196-198; 296/3, 26, 50, 56, 57.1, 60, 180.1, 37.16, 24.1-24.2; 410/141-144, 151, 129; 119/96

[56] References Cited

U.S. PATENT DOCUMENTS

D. 300,734	4/1989	Kruitbosch	D12/414
D. 325,016	3/1992	Moore	D12/414
D. 365,323	12/1995	Napierkowski et al.	D12/414
2,805,062	9/1957	Holmes	272/59
3,666,313	5/1972	Halstead et al.	296/24.1
4,148,504	4/1979	Rushing	280/756
4,919,467	4/1990	Guimelli	296/24.1
4,971,378	11/1990	Setina	296/24.1
5,121,958	6/1992	Goeden et al.	296/37.1
5,186,587	2/1993	Moore	410/118
5,253,913	10/1993	Metivier	296/37.16 X
5,288,122	2/1994	Pilhall	296/24.1

FOREIGN PATENT DOCUMENTS

0 289 832 A1	4/1988	European Pat. Off.	B60R 21/02
2 645 479 A1	4/1989	France	B60R 21/02
41 28 701 A1	8/1991	Germany	B60R 21/06
41 28 554 A1	9/1991	Germany	B60R 21/06
2 708 180	6/1980	United Kingdom	B60R 21/00
2 213 780	12/1987	United Kingdom	B60R 21/02
2 250 485	12/1991	United Kingdom	B60R 21/02
2 261 856	11/1992	United Kingdom	B60R 21/02

Primary Examiner—James Gandy
Assistant Examiner—Stacia Sinuik
Attorney, Agent, or Firm—Taylor & Associates, P.C.

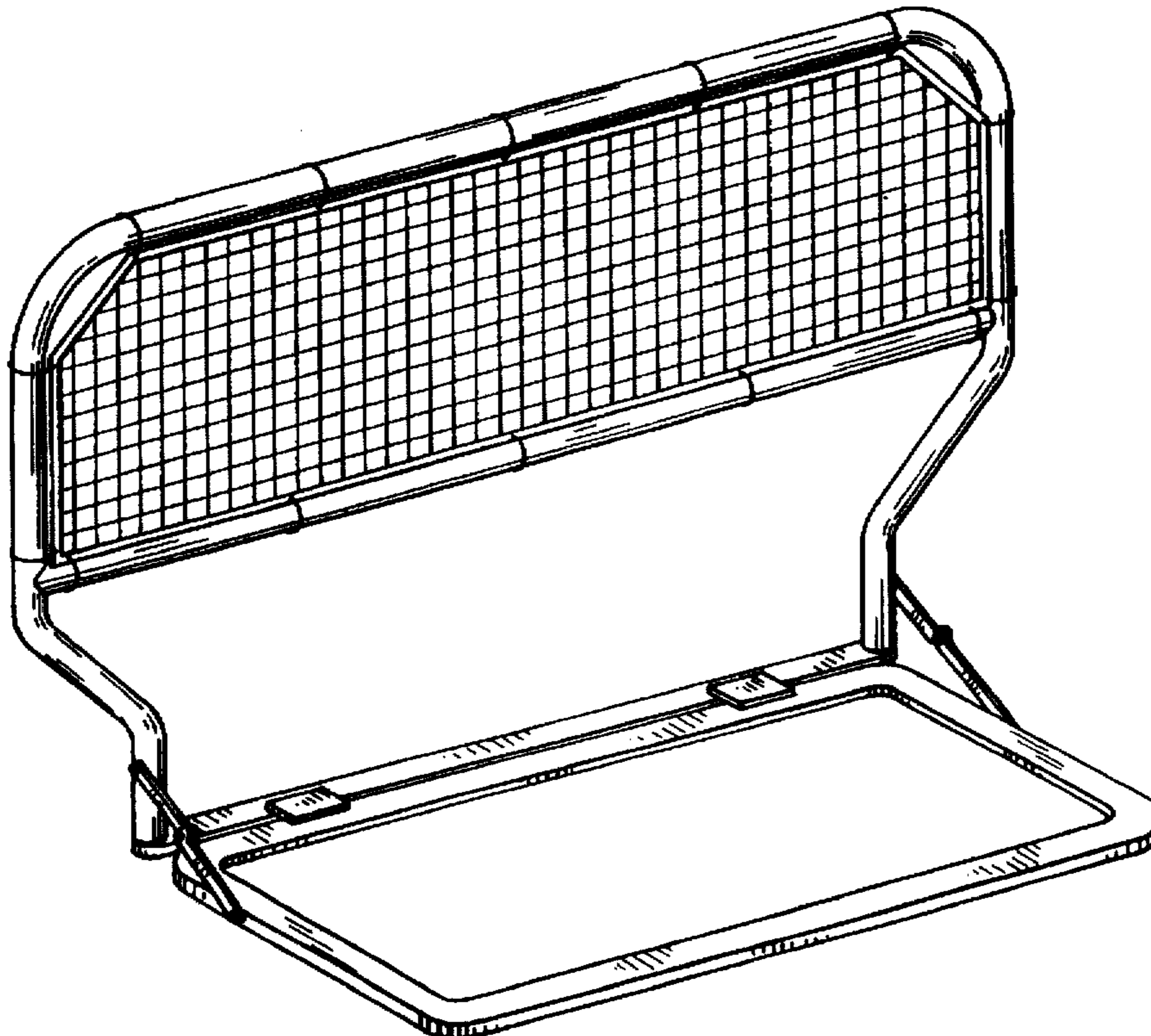
[57] CLAIM

The ornamental design for a cargo barrier for a vehicle interior, as shown and described.

DESCRIPTION

FIG. 1 is a perspective view of a cargo barrier for a vehicle interior showing my new design;
FIG. 2 is a front view thereof;
FIG. 3 is a side view thereof, the opposing side view being substantially the same;
FIG. 4 is a top view thereof;
FIG. 5 is a rear view thereof;
FIG. 6 is a bottom view thereof; and,
FIG. 7 is a side view thereof, with the cargo barrier in a folded position.

1 Claim, 2 Drawing Sheets



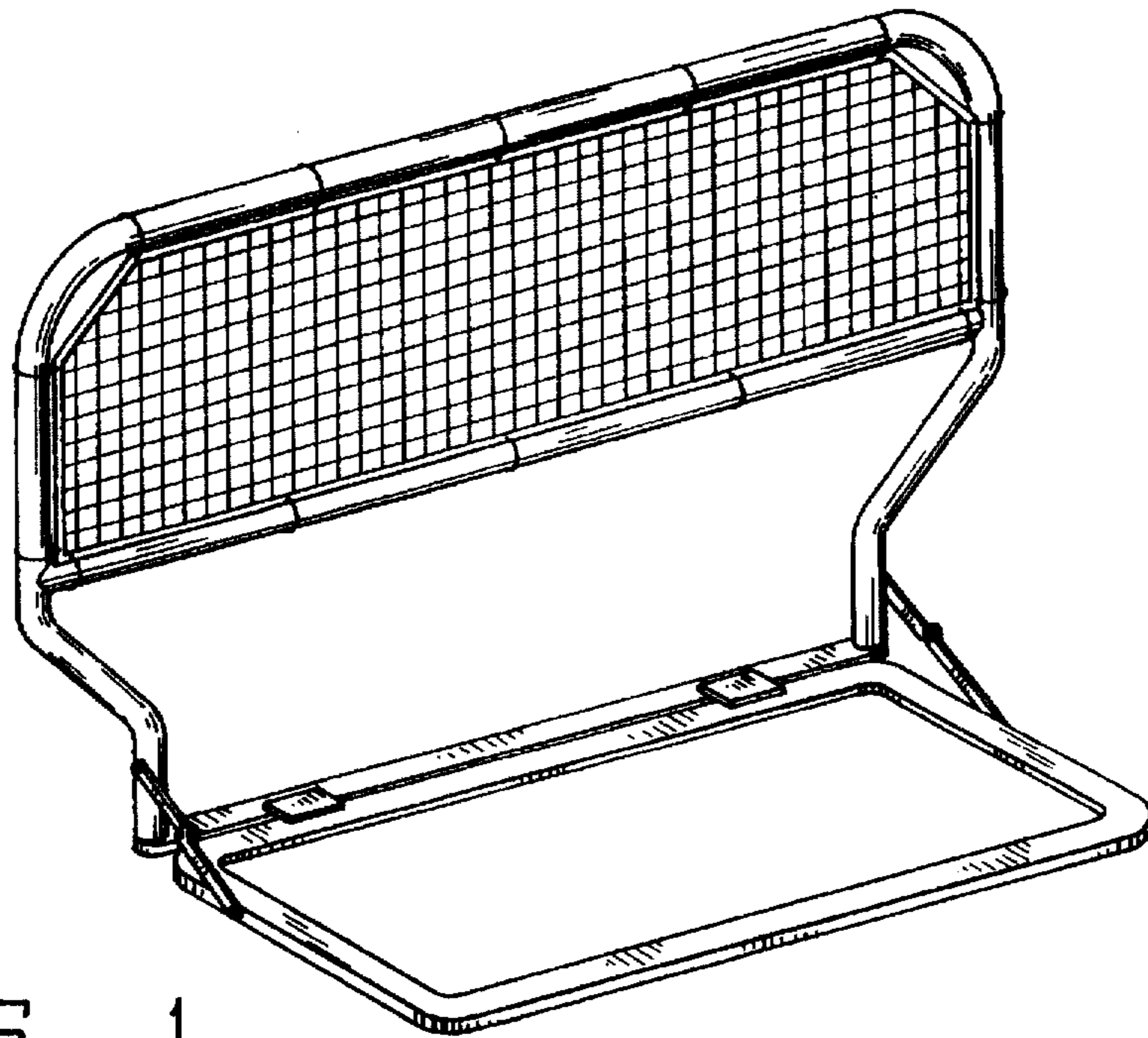


Fig. 1

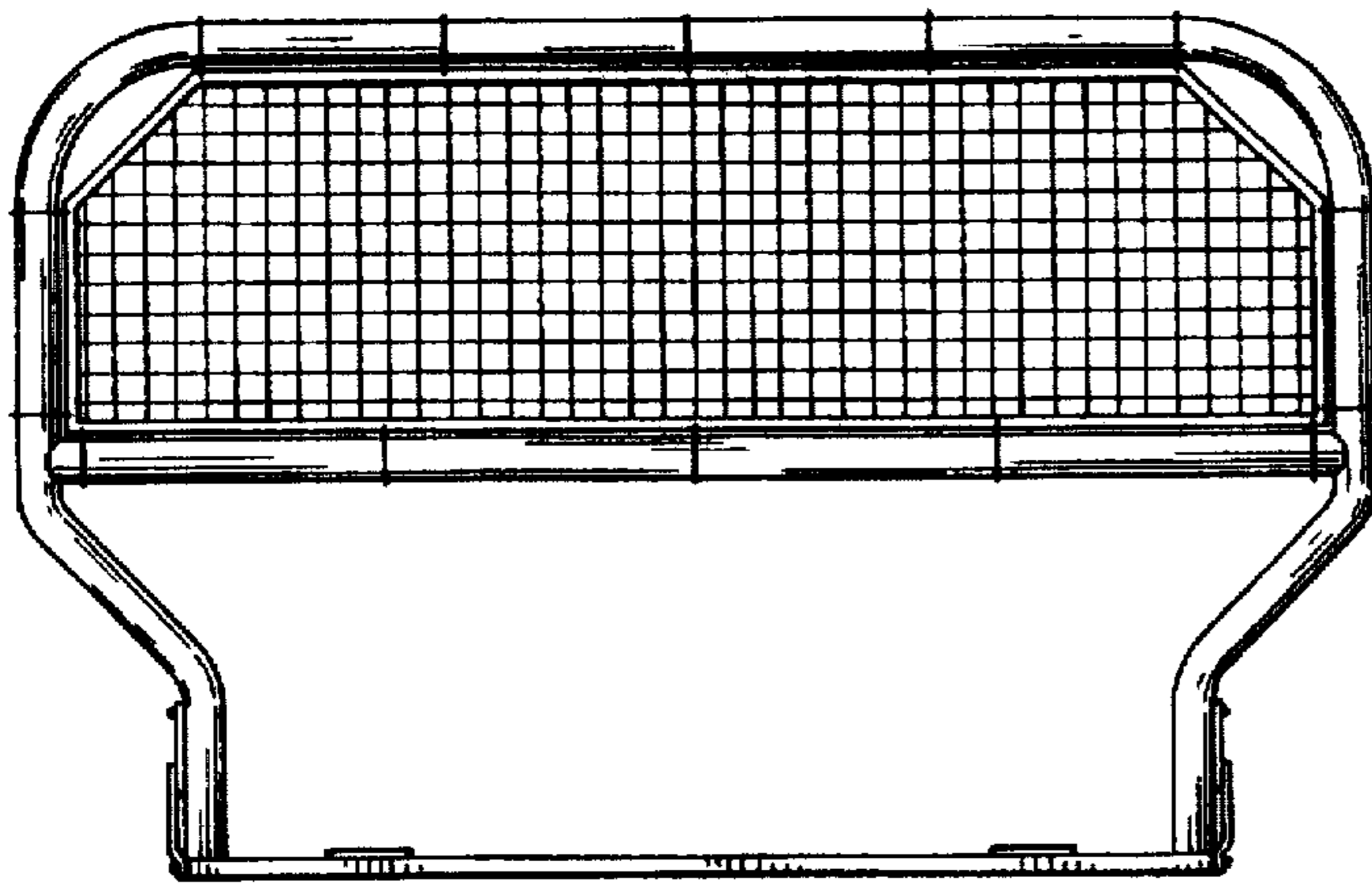


Fig. 2

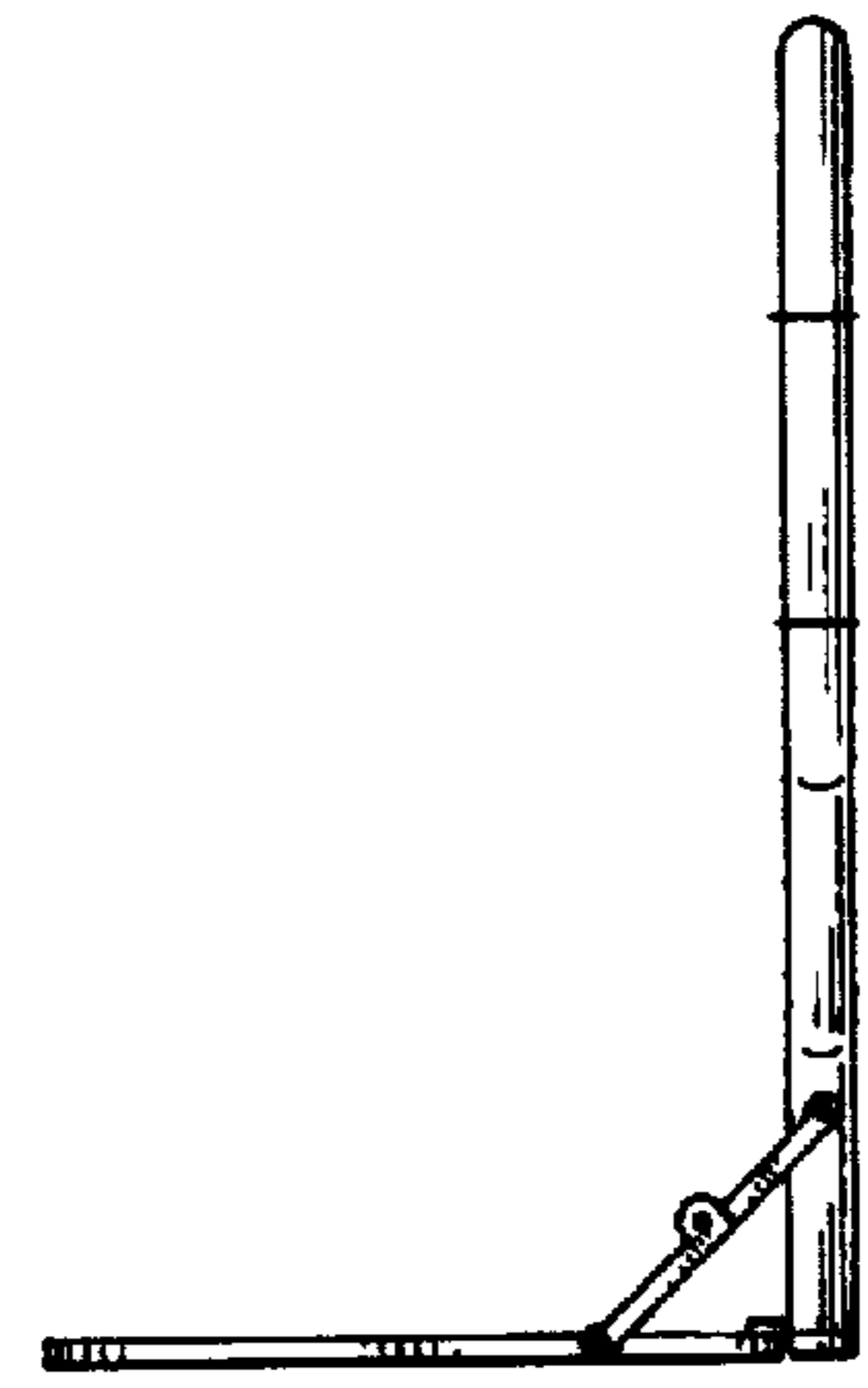


Fig. 3

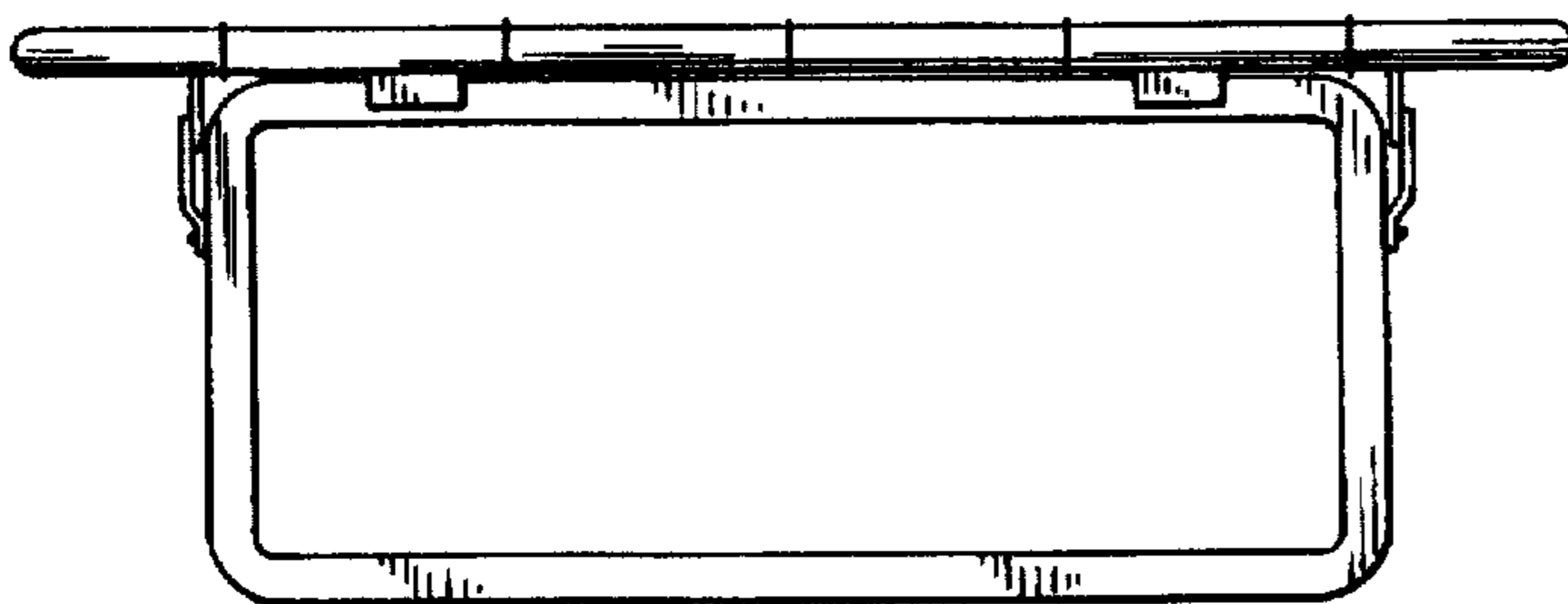


Fig. 4

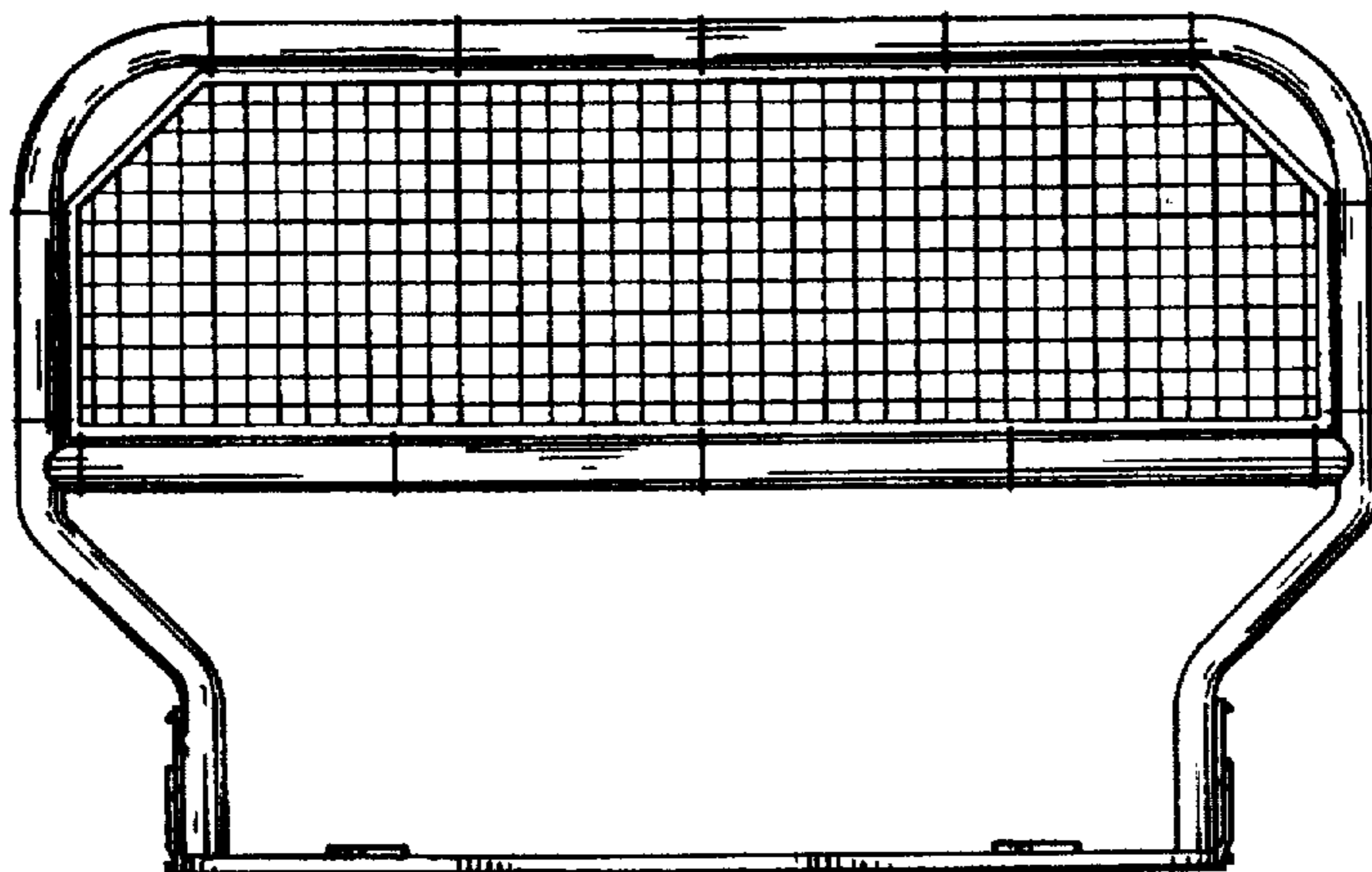


Fig. 5

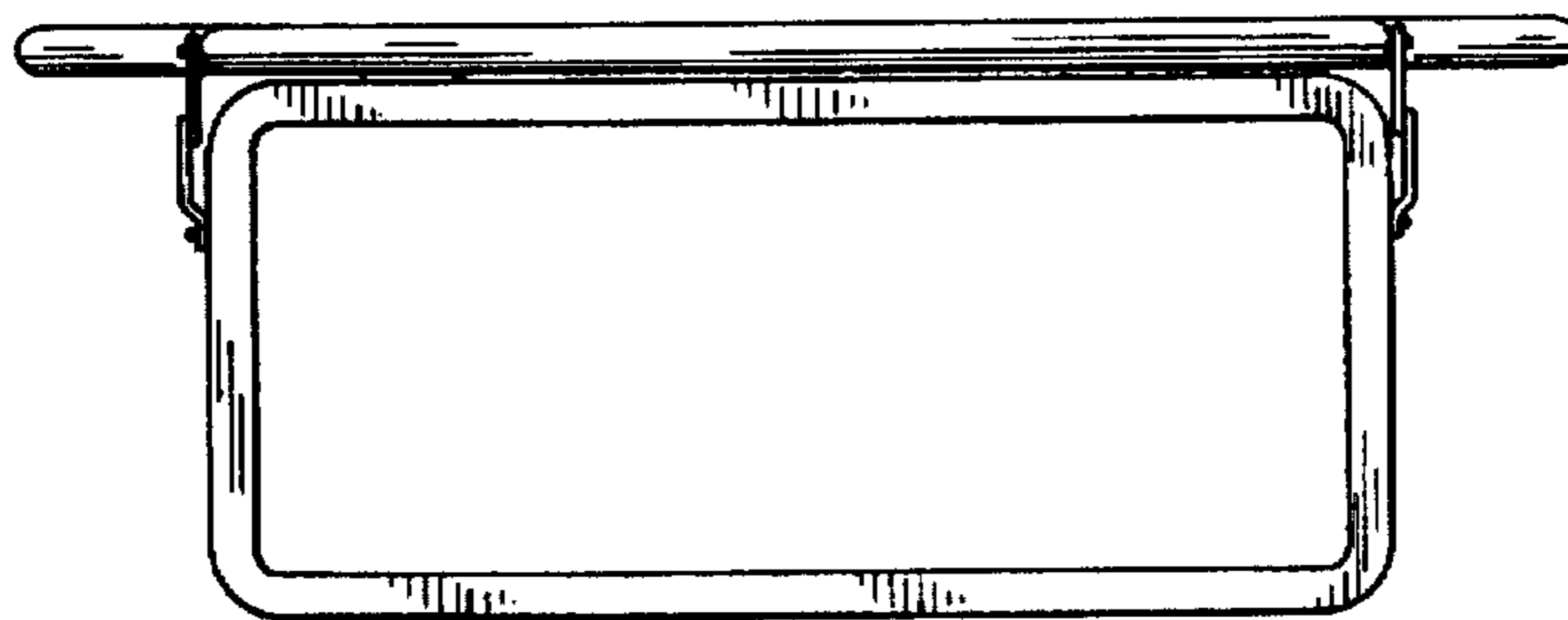


Fig. 6



Fig. 7