



US00D392936S

United States Patent [19]
Koyanagi

[11] **Patent Number: Des. 392,936**
[45] **Date of Patent: **Mar. 31, 1998**

[54] **RIDE PLATE**
[75] **Inventor: Tomoyoshi Koyanagi, Shizuoka, Japan**
[73] **Assignee: Yamaha Hatsudoki Kabushiki Kaisha, Shizuoka, Japan**
[**] **Term: 14 Years**
[21] **Appl. No.: 60,079**
[22] **Filed: Sep. 20, 1996**
[51] **LOC (6) Cl. 12-06**
[52] **U.S. Cl. D12/317**
[58] **Field of Search D12/317, 318; 114/219, 343, 361, 270**

D. 378,813 4/1997 Jacques D12/317

Primary Examiner—Kay H. Chin
Attorney, Agent, or Firm—Knobbe, Martens, Olson & Bear, LLP

[57] **CLAIM**

The ornamental design for a ride plate, as shown and described.

DESCRIPTION

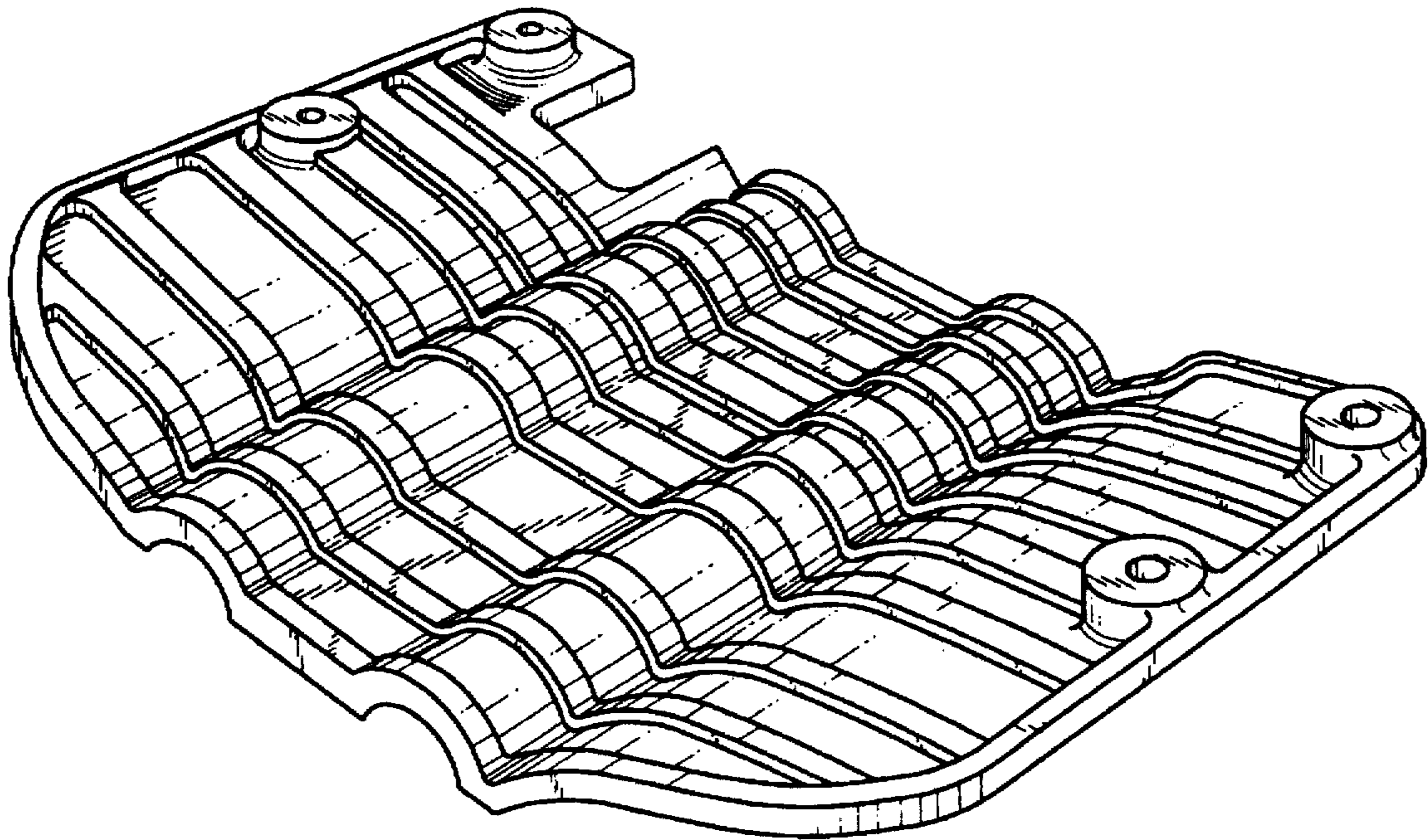
FIG. 1 is a rear perspective view of the ride plate showing my ornamental design;
FIG. 2 is a bottom plan view thereof;
FIG. 3 is a top plan view thereof;
FIG. 4 is a front elevational view thereof;
FIG. 5 is a rear elevational view thereof;
FIG. 6 is a right side elevational view thereof; and,
FIG. 7 is a left side elevational view thereof.

[56] **References Cited**

U.S. PATENT DOCUMENTS

D. 317,431 6/1991 Klus D12/317
D. 335,484 5/1993 Moyle et al. D12/317

1 Claim, 3 Drawing Sheets



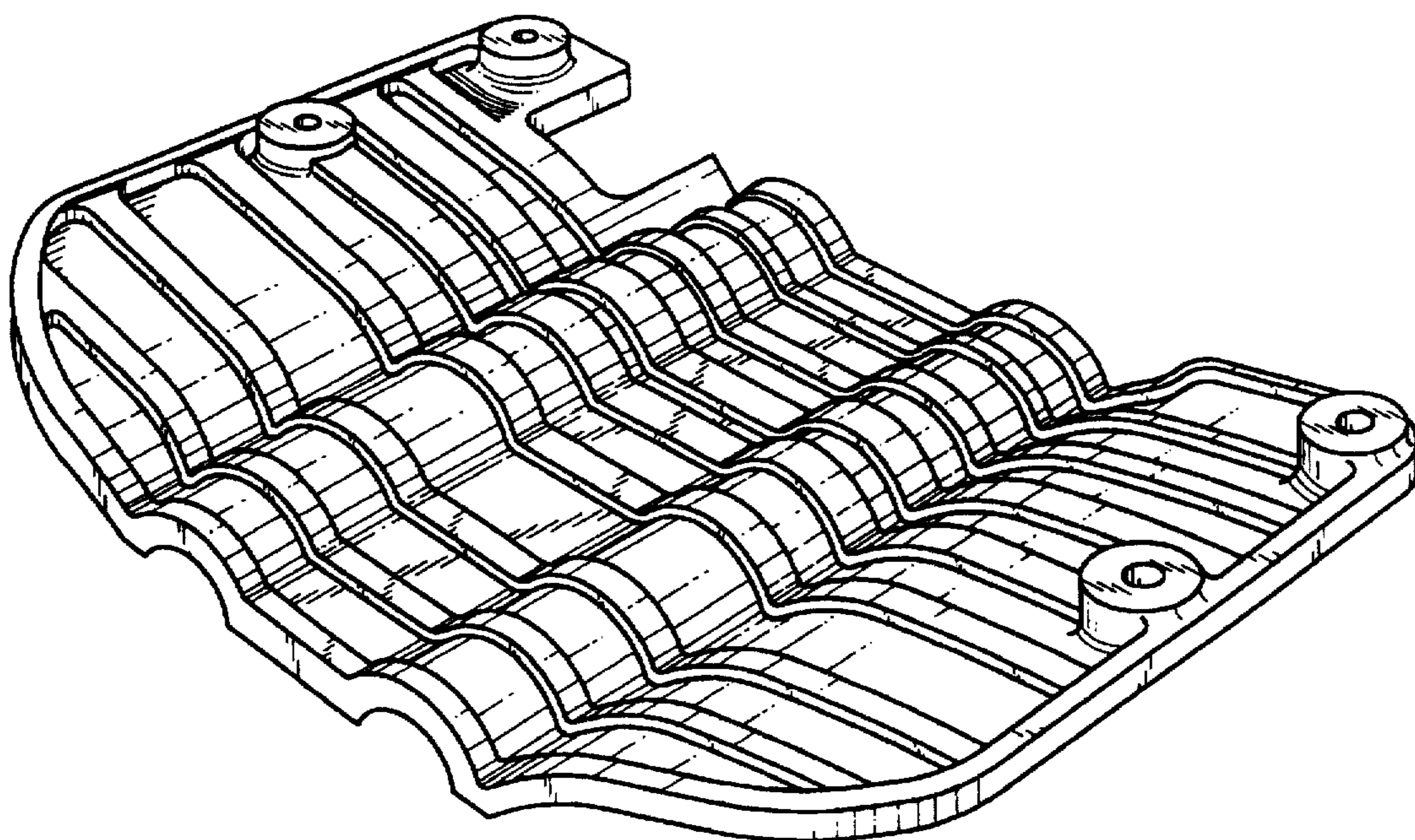


Fig. 1

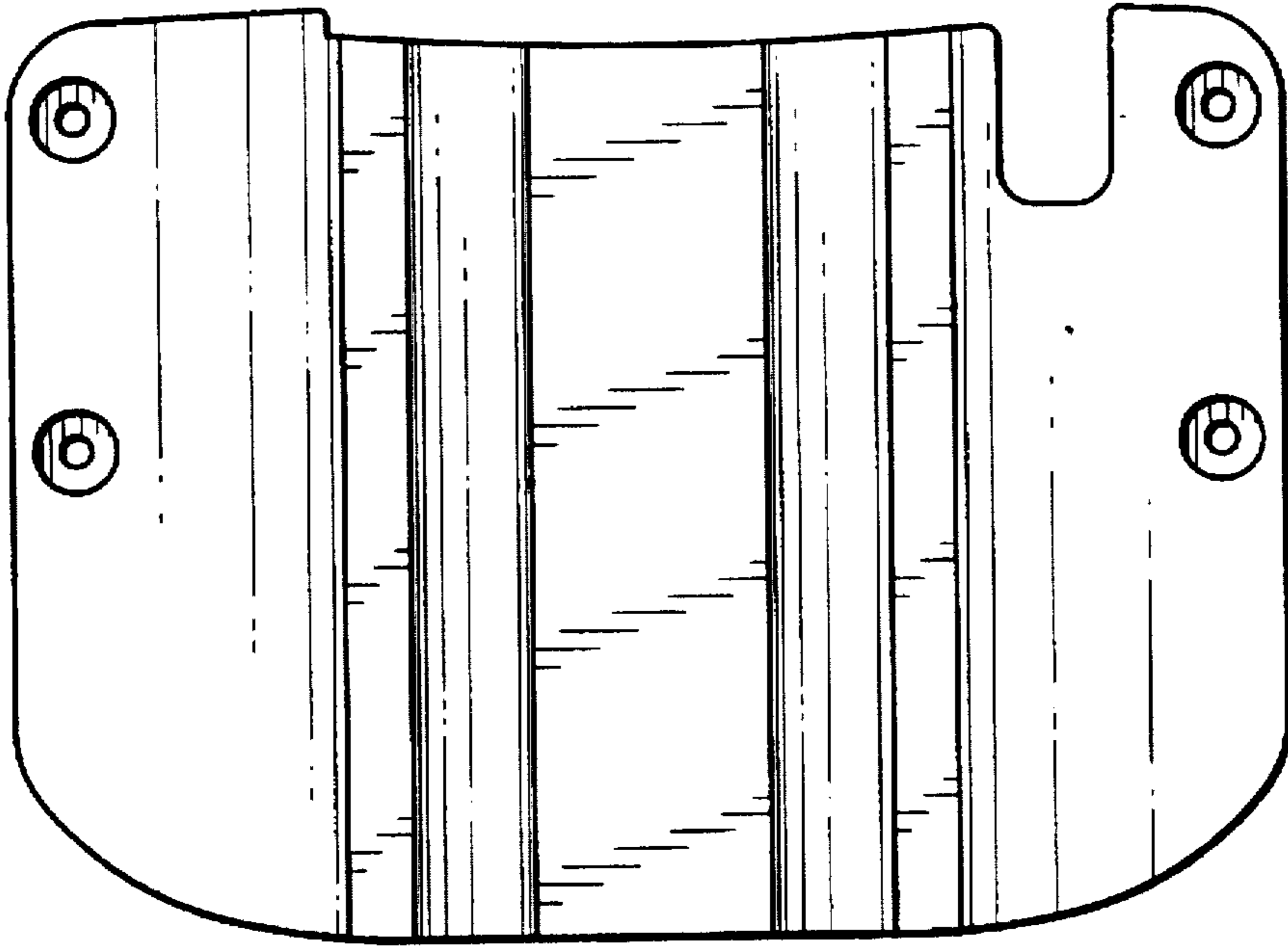


Fig. 2

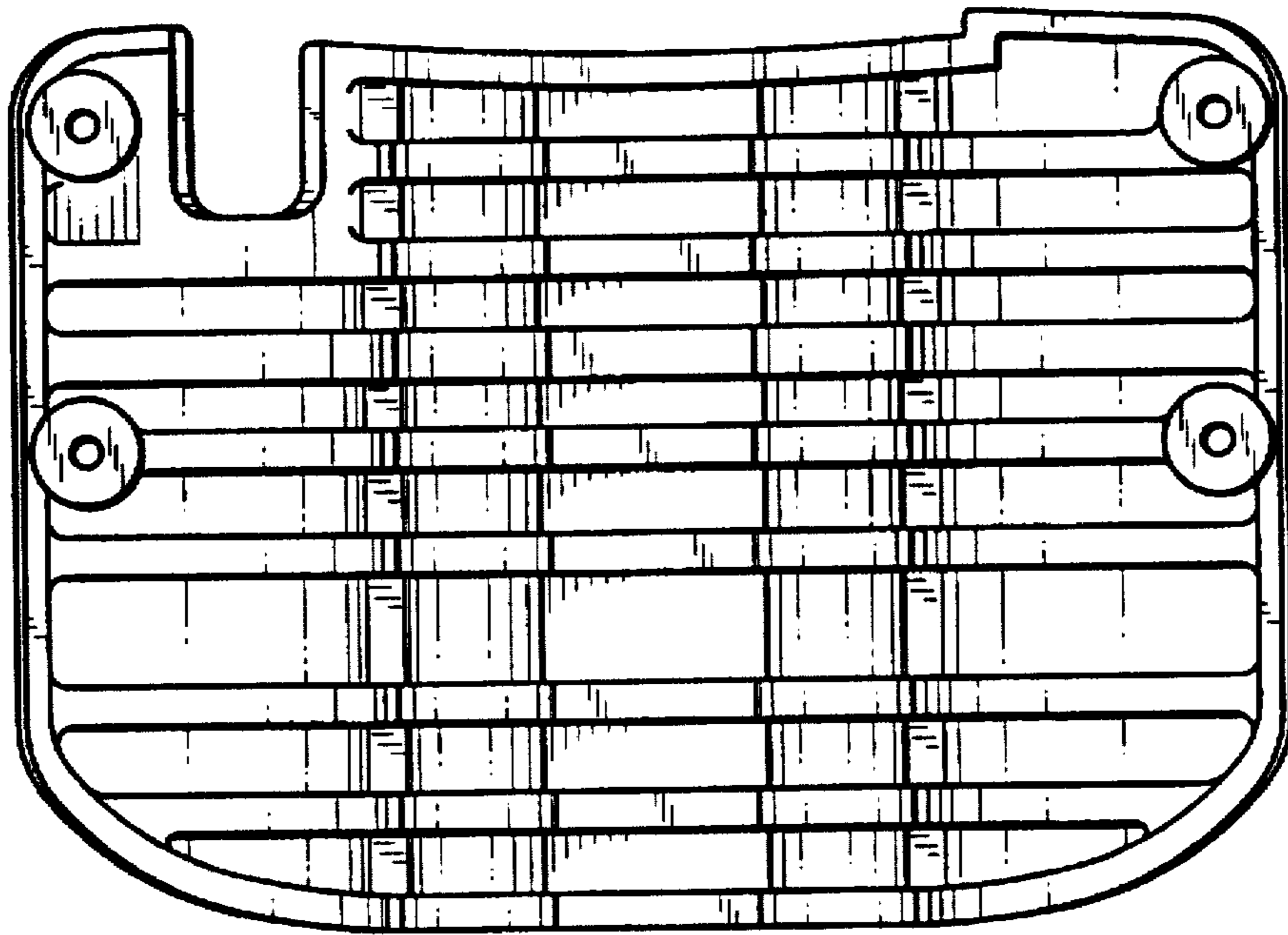


Fig. 3



Fig. 4



Fig. 5

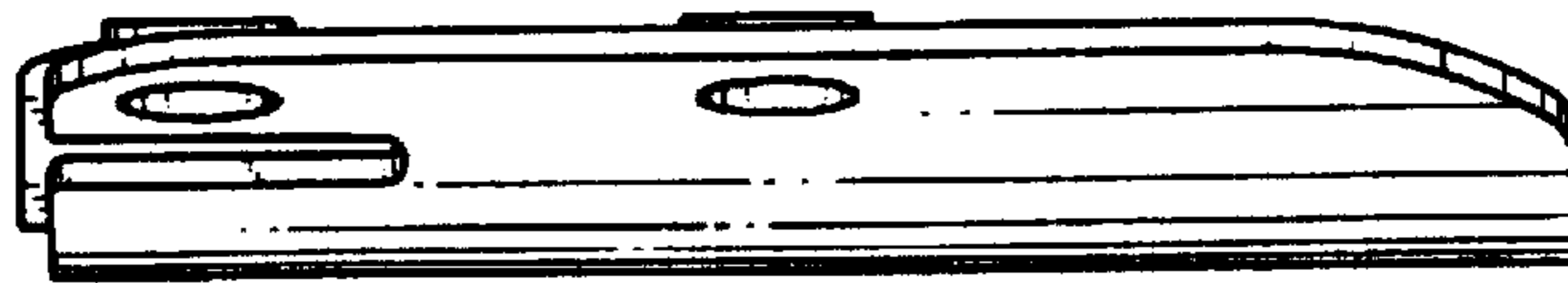


Fig. 6

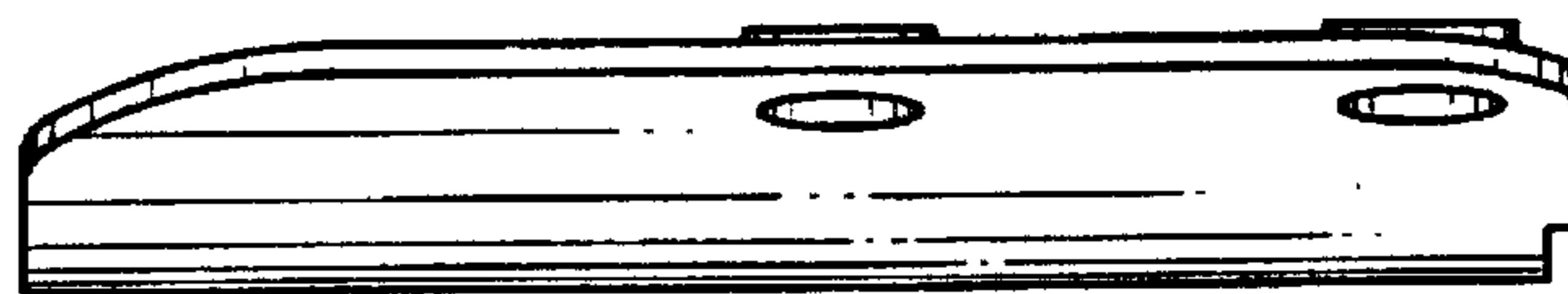


Fig. 7