



US00D392928S

United States Patent [19]

[11] Patent Number: Des. 392,928

Erion et al.

[45] Date of Patent: **Mar. 31, 1998

[54] EXHAUST SYSTEM

Primary Examiner—Ralf Seifert
Attorney, Agent, or Firm—Plante & Strauss

[75] Inventors: Craig Erion, Santa Ana; Christopher Samhammer, Newport Beach, both of Calif.

[57] CLAIM

The ornamental design for a exhaust system, as shown and described.

[73] Assignee: TBR, Inc., Santa Ana, Calif.

[**] Term: 14 Years

DESCRIPTION

[21] Appl. No.: 39,755

FIG. 1 is a perspective view of the exhaust system showing our new design;

[22] Filed: Jun. 5, 1995

FIG. 2 is a perspective view of side opposite that shown in FIG. 1 of the exhaust system showing our new design;

[51] LOC (6) Cl. 12-16

[52] U.S. Cl. D12/194; D15/5

[58] Field of Search D15/5; D12/194, D12/110; 181/227, 228, 247, 249, 264, 282

FIG. 3 is a top view of the exhaust system showing our new design;

FIG. 4 is a side elevational view from the left side of the exhaust system as it appears in FIG. 1;

[56] References Cited

U.S. PATENT DOCUMENTS

D. 288,311	2/1987	Garcia	D12/194
D. 305,009	12/1989	Kanazawa et al.	D12/110
D. 332,588	1/1993	Kohama et al.	D12/110
D. 336,450	6/1993	Tsukui et al.	D12/110
D. 347,411	5/1994	Horii et al.	D12/110
5,198,625	3/1993	Borla	181/282 X

FIG. 5 is a bottom view of the exhaust system showing our new design;

FIG. 6 is a side elevational view from the right side of the exhaust system as it appears in FIG. 1;

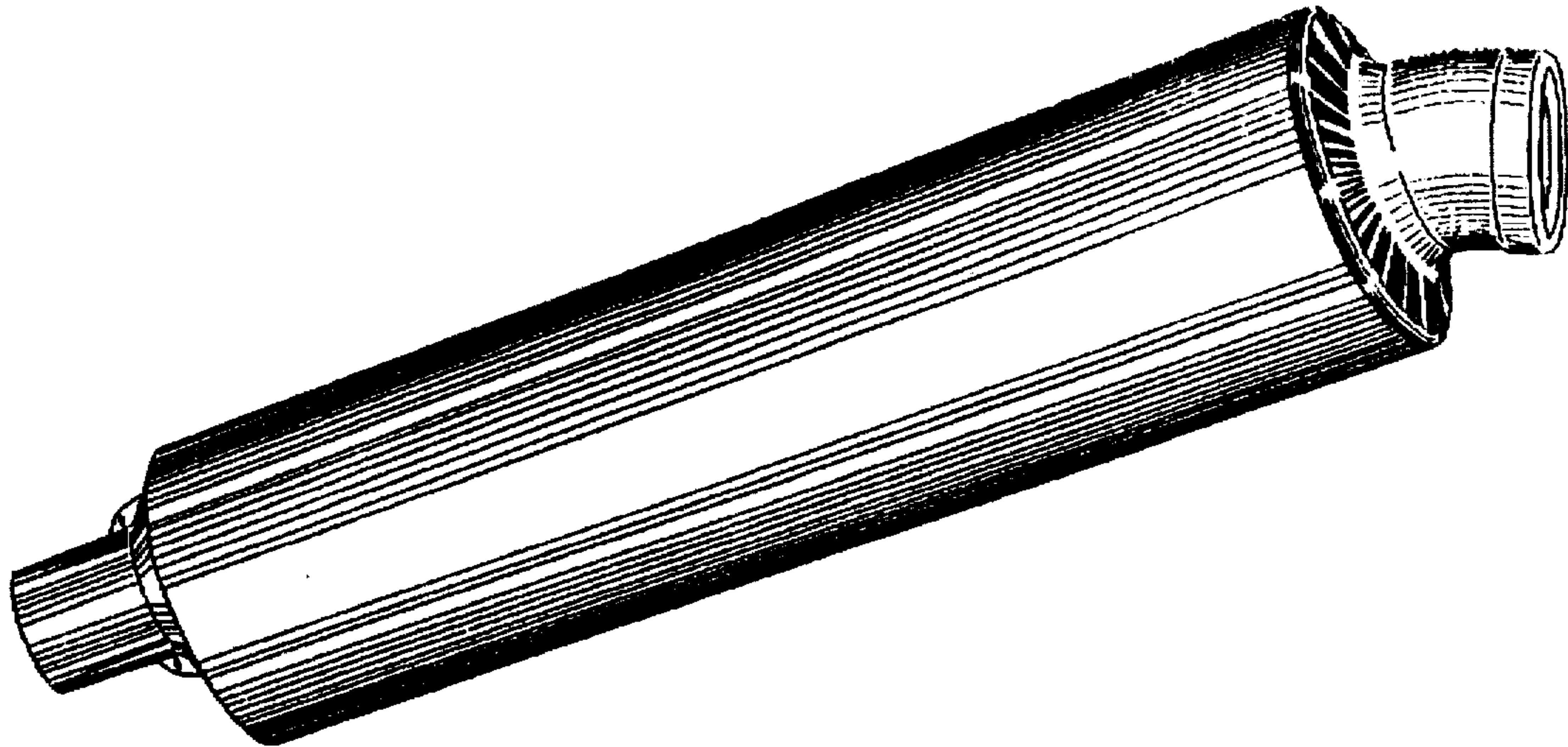
FIG. 7 is an end view of the outlet end of the exhaust system showing our new design; and,

FIG. 8 is an end view of the inlet end of the exhaust system showing our new design.

OTHER PUBLICATIONS

Vance & Hines Advertisement, Cycleworld Mag.—Mar. 1995.
Muzzy Advertisement, Cycleworld Mag.—Jul. 1994.

1 Claim, 2 Drawing Sheets



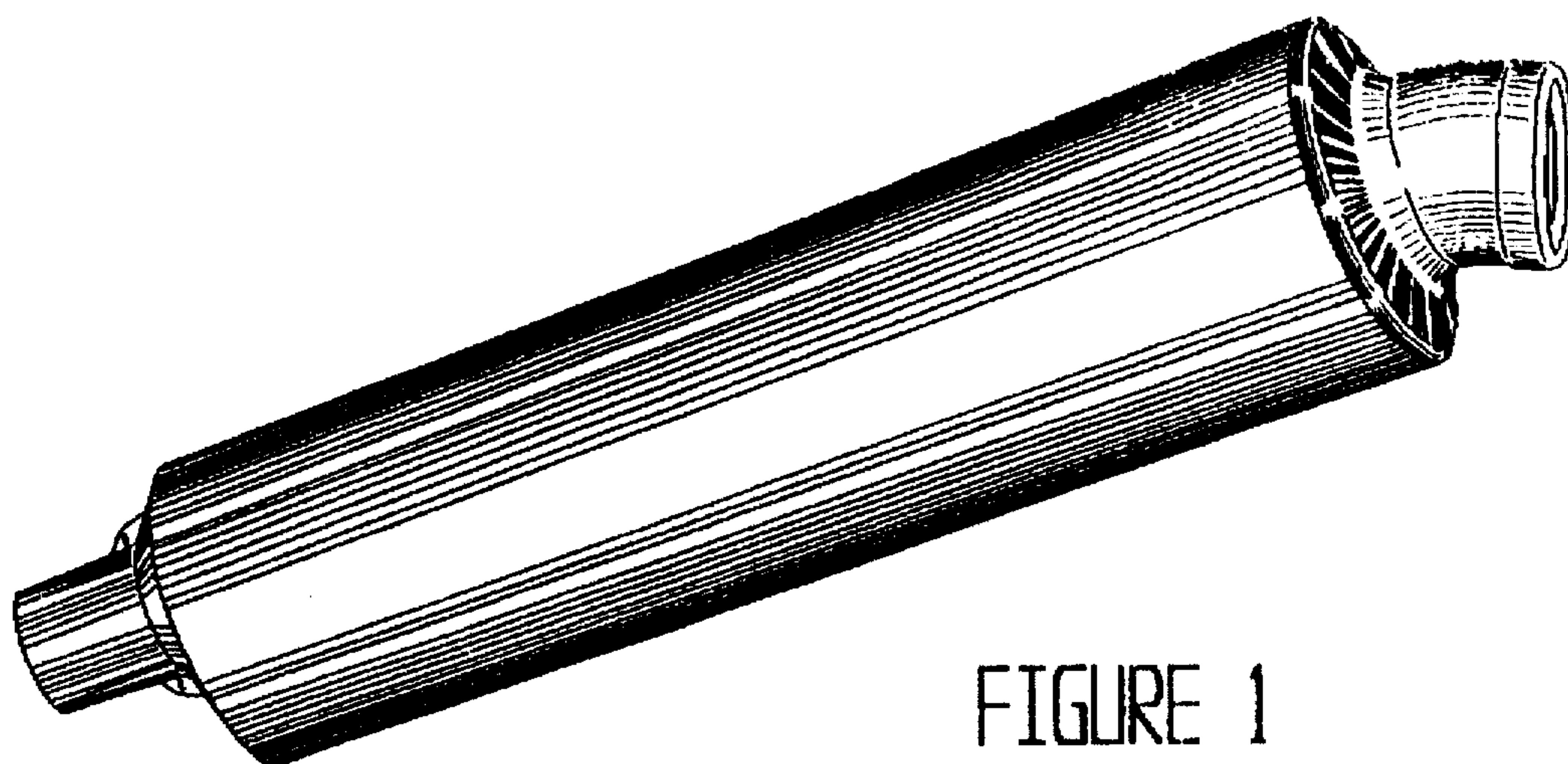


FIGURE 1

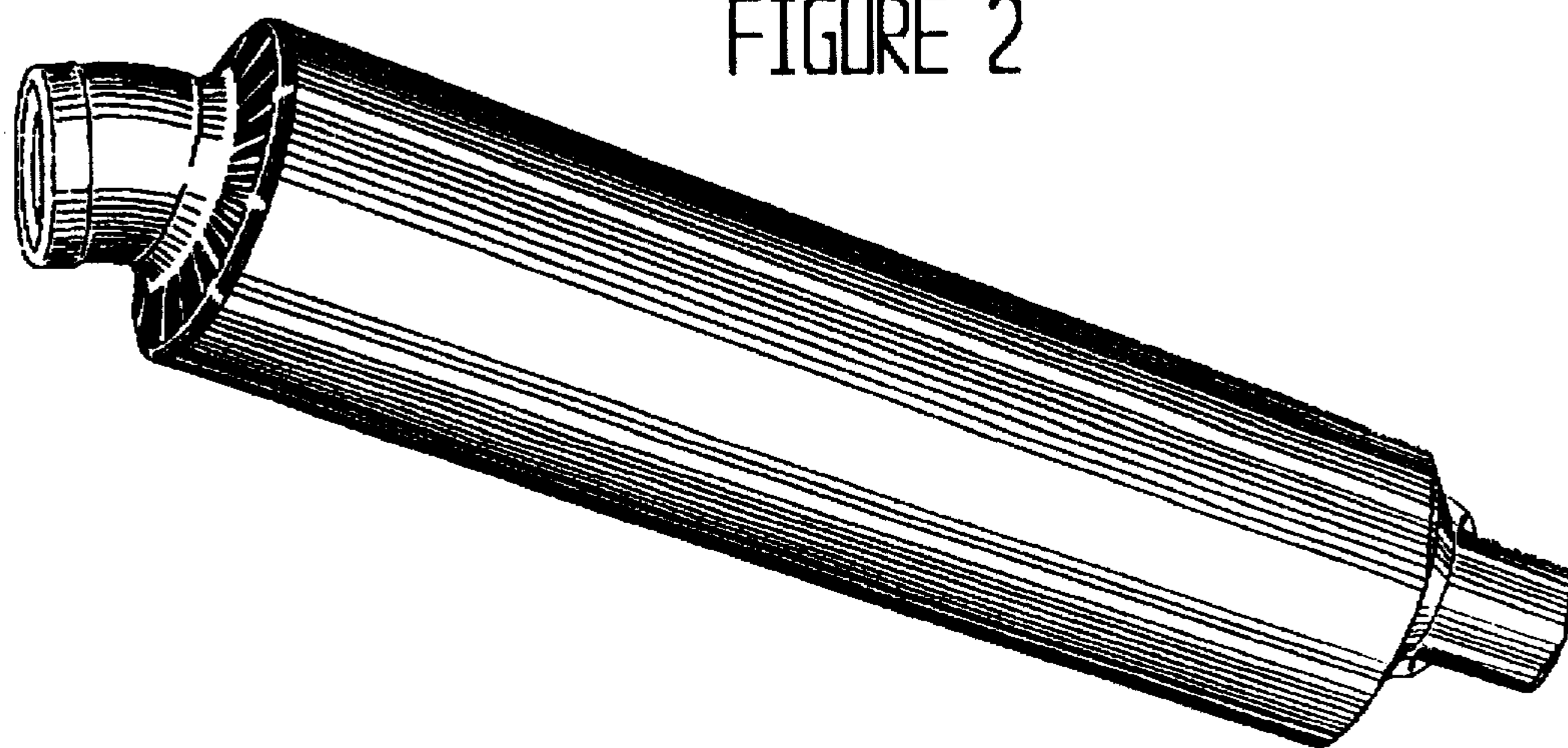


FIGURE 2

FIGURE 3

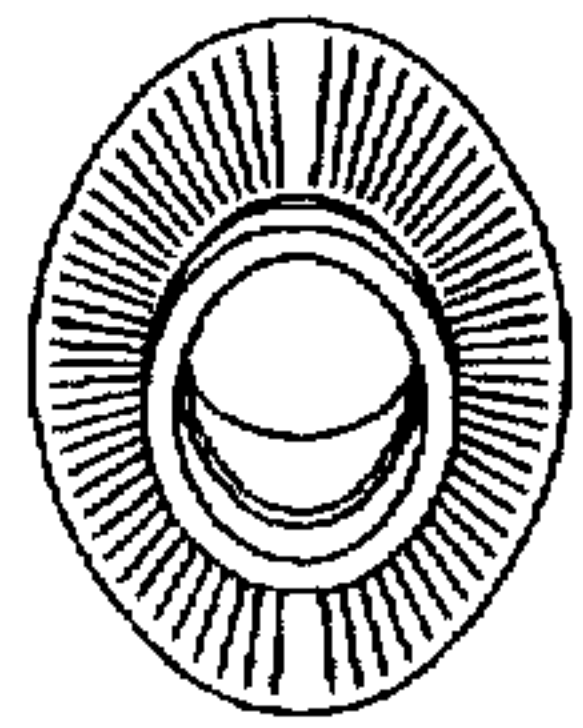
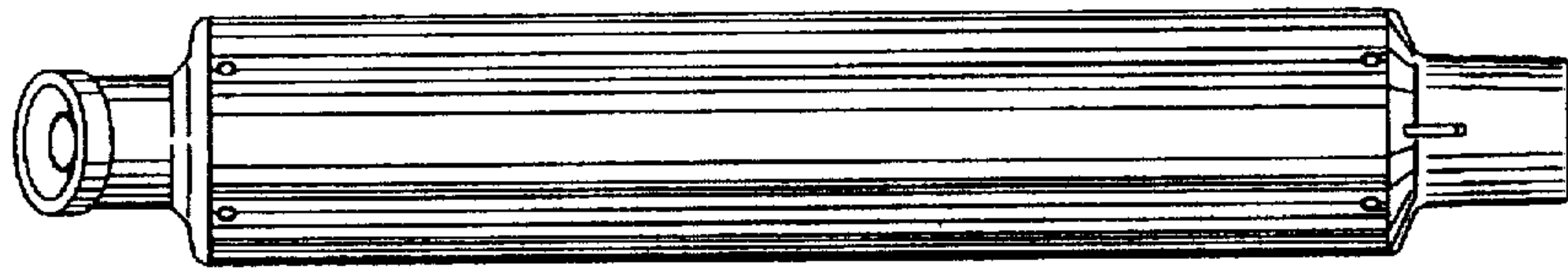


FIGURE 7

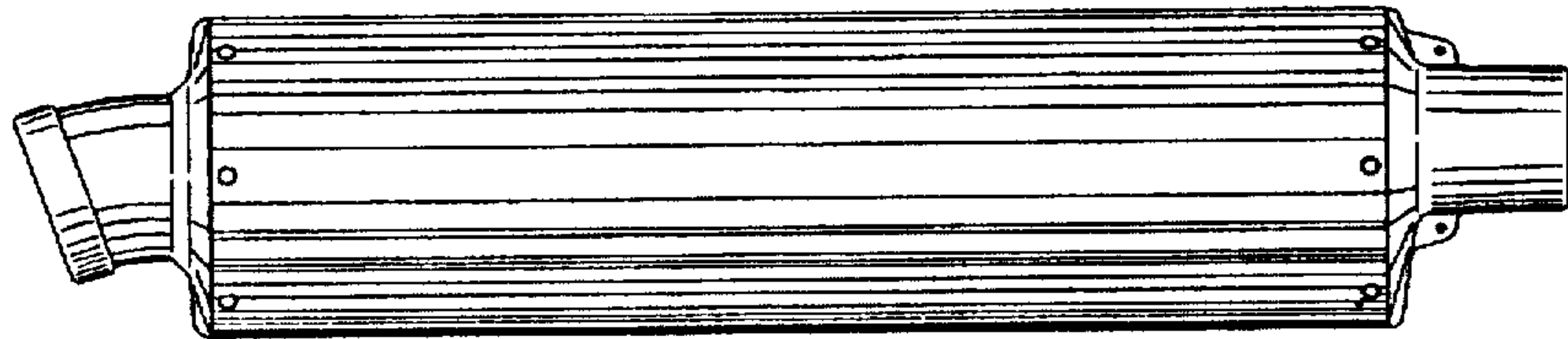


FIGURE 4

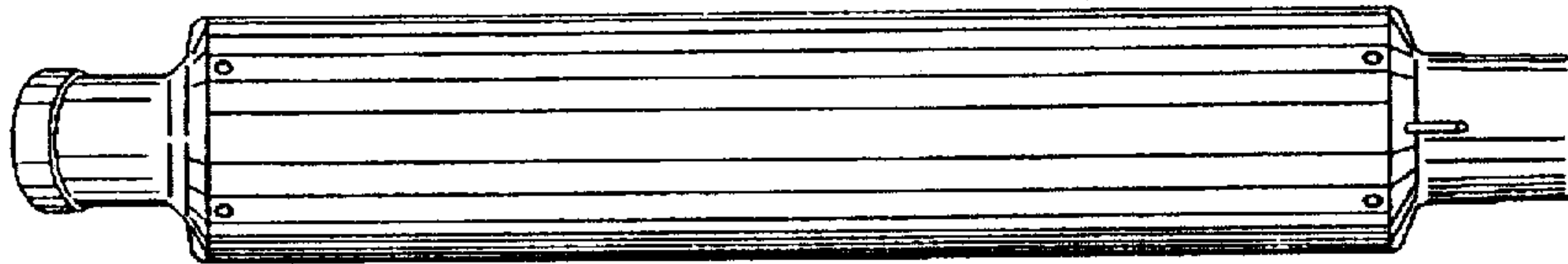


FIGURE 5

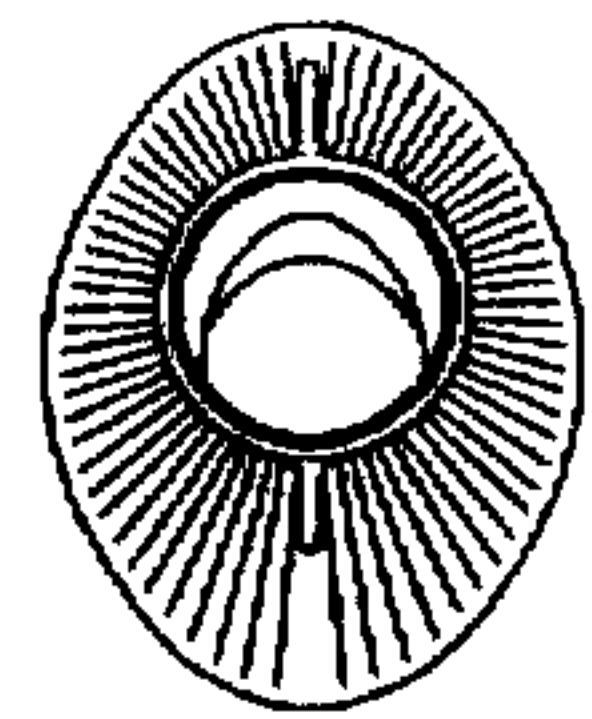


FIGURE 8

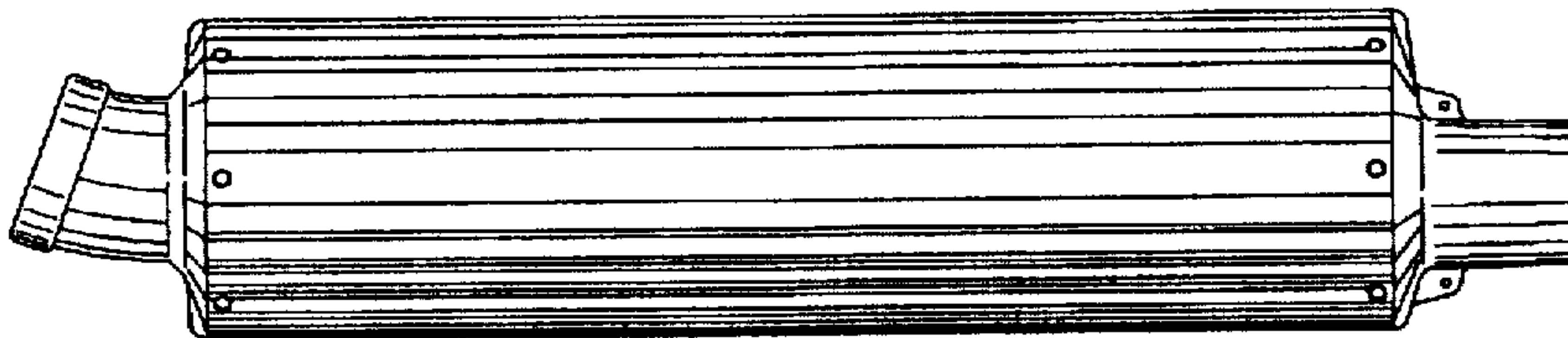


FIGURE 6