



US00D392926S

United States Patent [19]

Adelaar

[11] Patent Number: Des. 392,926

[45] Date of Patent: **Mar. 31, 1998

[54] COWBOY HAT HITCH COVER

[76] Inventor: Antoine Adelaar, Panoven 48, 3401
RB Usselstein, Netherlands

[**] Term: 14 Years

[21] Appl. No.: 67,370

[22] Filed: Mar. 5, 1997

[51] LOC (6) Cl. 12-16

[52] U.S. Cl. D12/162

[58] Field of Search D12/162; D9/307,
D9/441, 451; 280/507, 511; D2/887, 888,
886, 868-869

[56] References Cited

U.S. PATENT DOCUMENTS

D. 153,538	4/1949	Moore	D12/887
D. 169,486	5/1953	Hoeflich	D2/887
D. 317,890	7/1991	Bachmann	D12/162
D. 336,880	6/1993	Drummond	D12/162
D. 342,472	12/1993	Harper	D12/162
D. 357,541	4/1995	Neidell	D9/451 X
D. 358,794	5/1995	Thigpen	D12/162

D. 359,018	6/1995	Thigpen	D12/162
4,738,293	4/1988	Ostrom et al.	D12/162 X
4,861,062	8/1989	Stidsen	280/507
4,955,968	9/1990	Beckerer, Jr.	280/507
5,037,122	8/1991	Beckerer, Jr.	280/507

Primary Examiner—Jeffrey Asch
Assistant Examiner—Stacia Sinuik
Attorney, Agent, or Firm—Gunn, Lee & Miller, P.C.

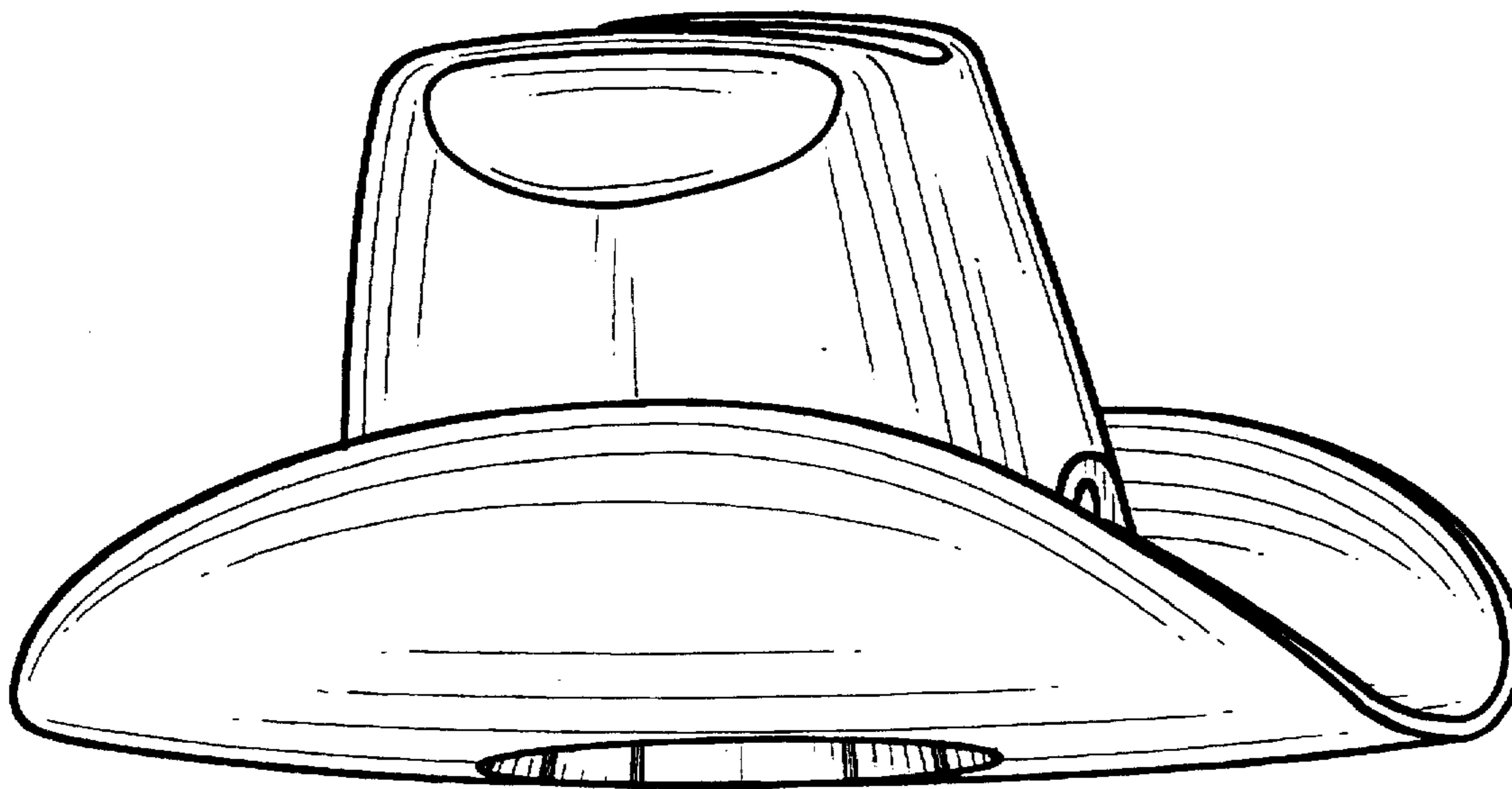
[57] CLAIM

The ornamental design of a cowboy hat hitch cover, as shown and described.

DESCRIPTION

FIG. 1 is a left side, rear, bottom perspective view of a cowboy hat hitch cover, showing my new design;
FIG. 2 is a top plan view thereof;
FIG. 3 is a left side elevational view thereof;
FIG. 4 is a front elevational view thereof;
FIG. 5 is a rear elevational view thereof;
FIG. 6 is a bottom plan view thereof; and,
FIG. 7 is a right side elevation thereof.

1 Claim, 4 Drawing Sheets



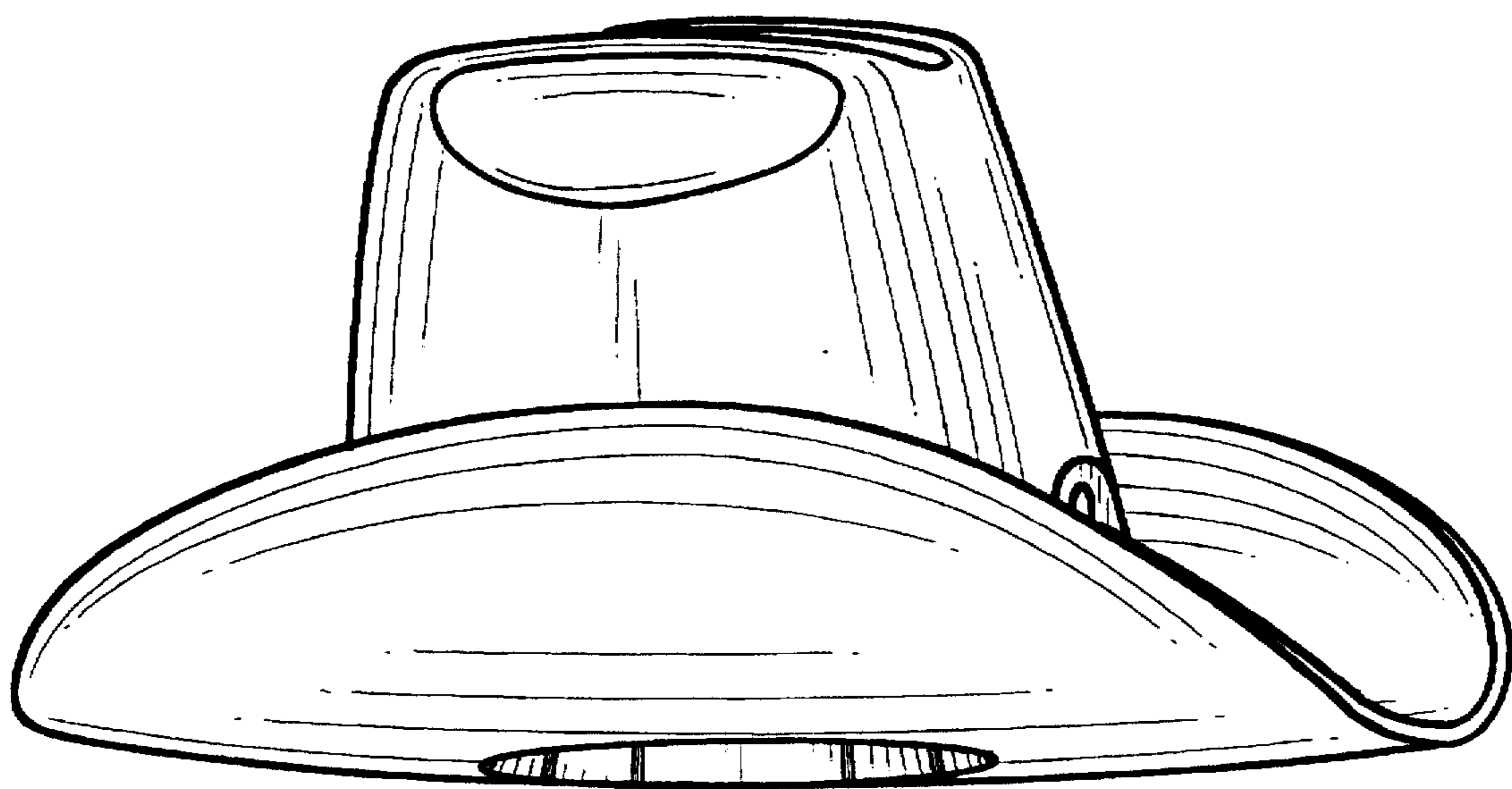


Fig. 1

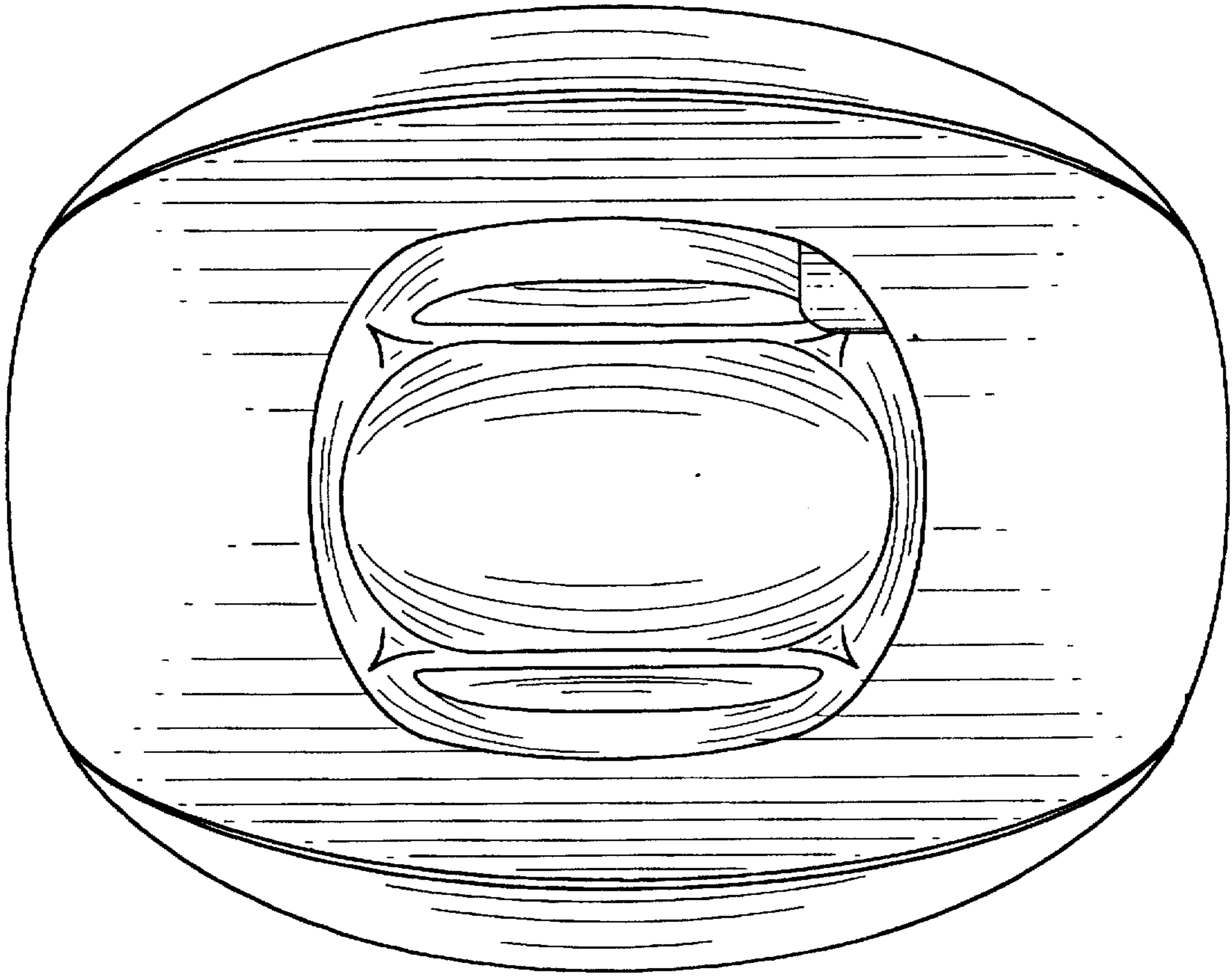


Fig. 2

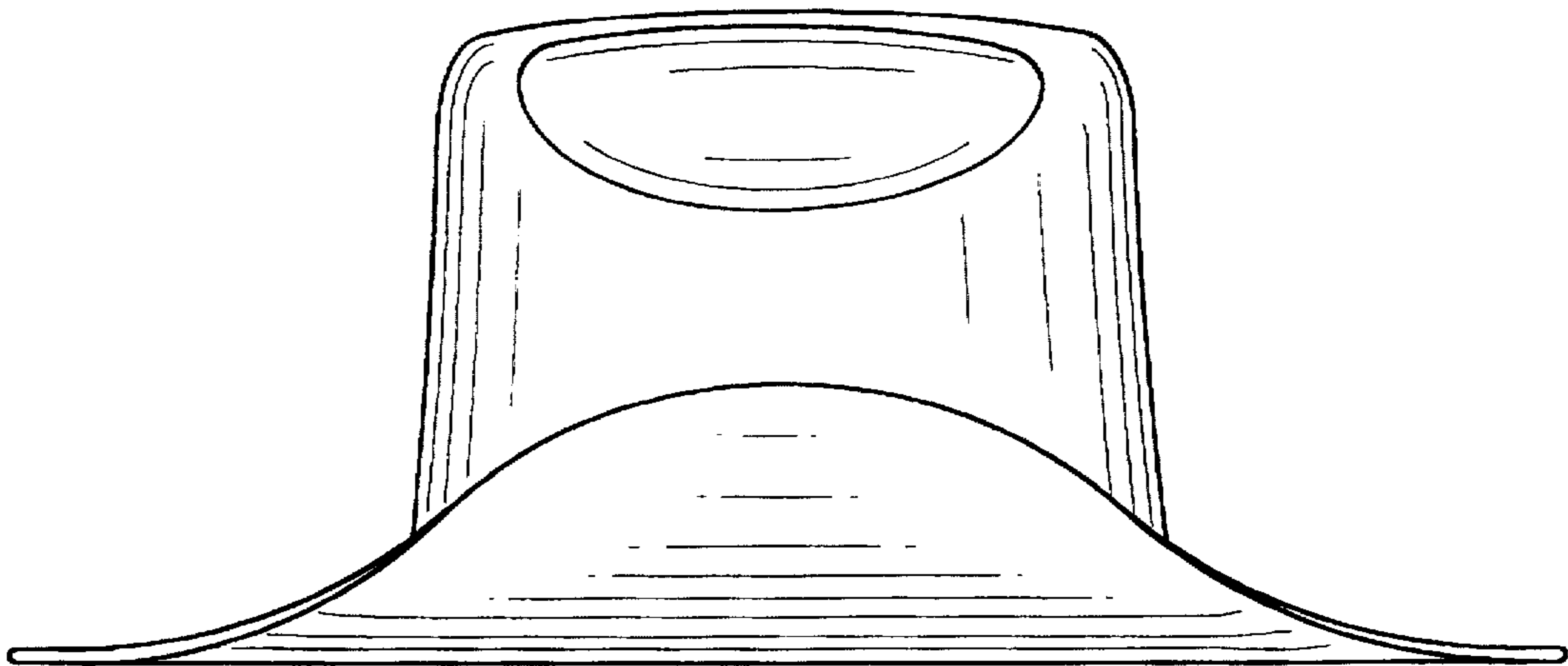


Fig. 3

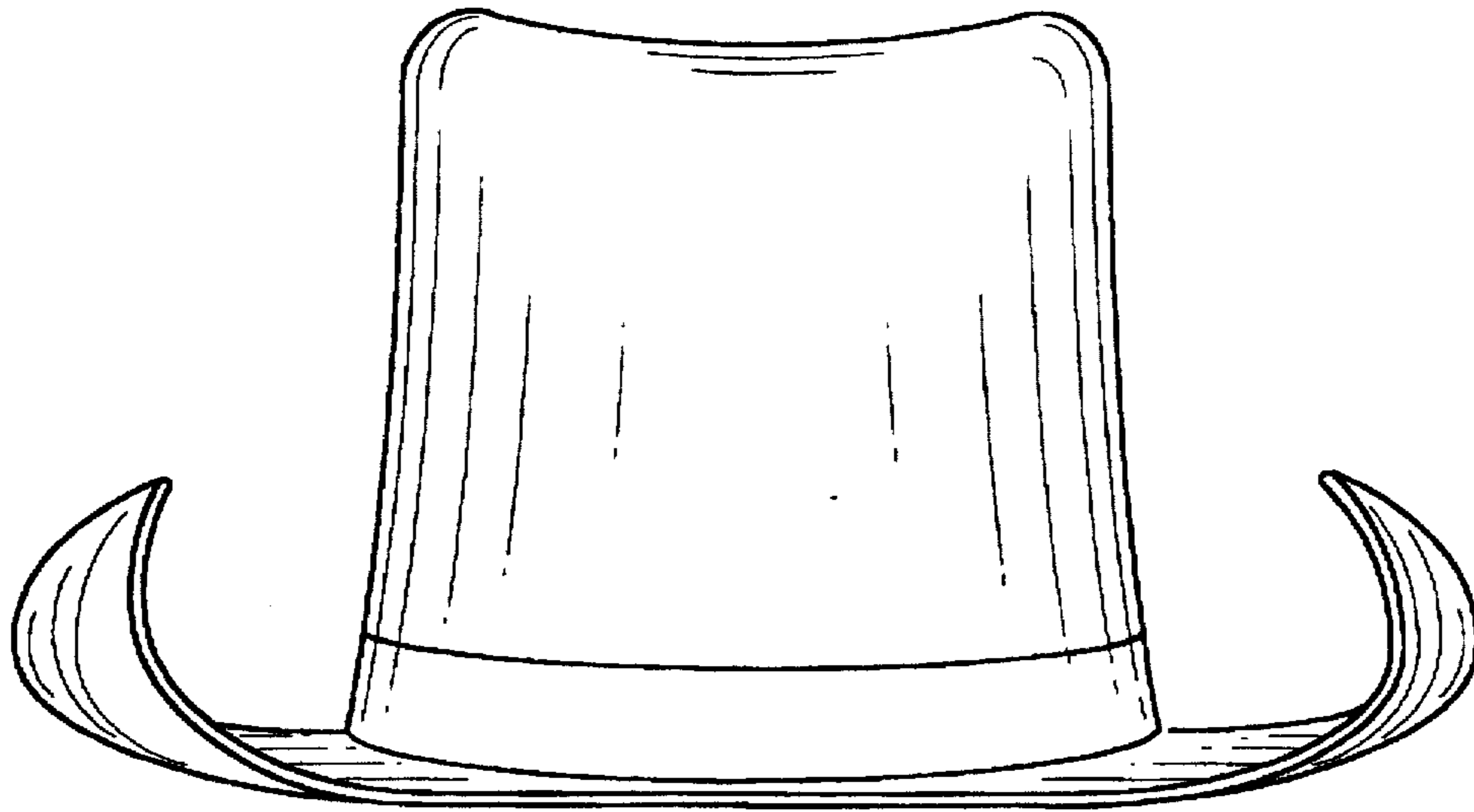


Fig. 4

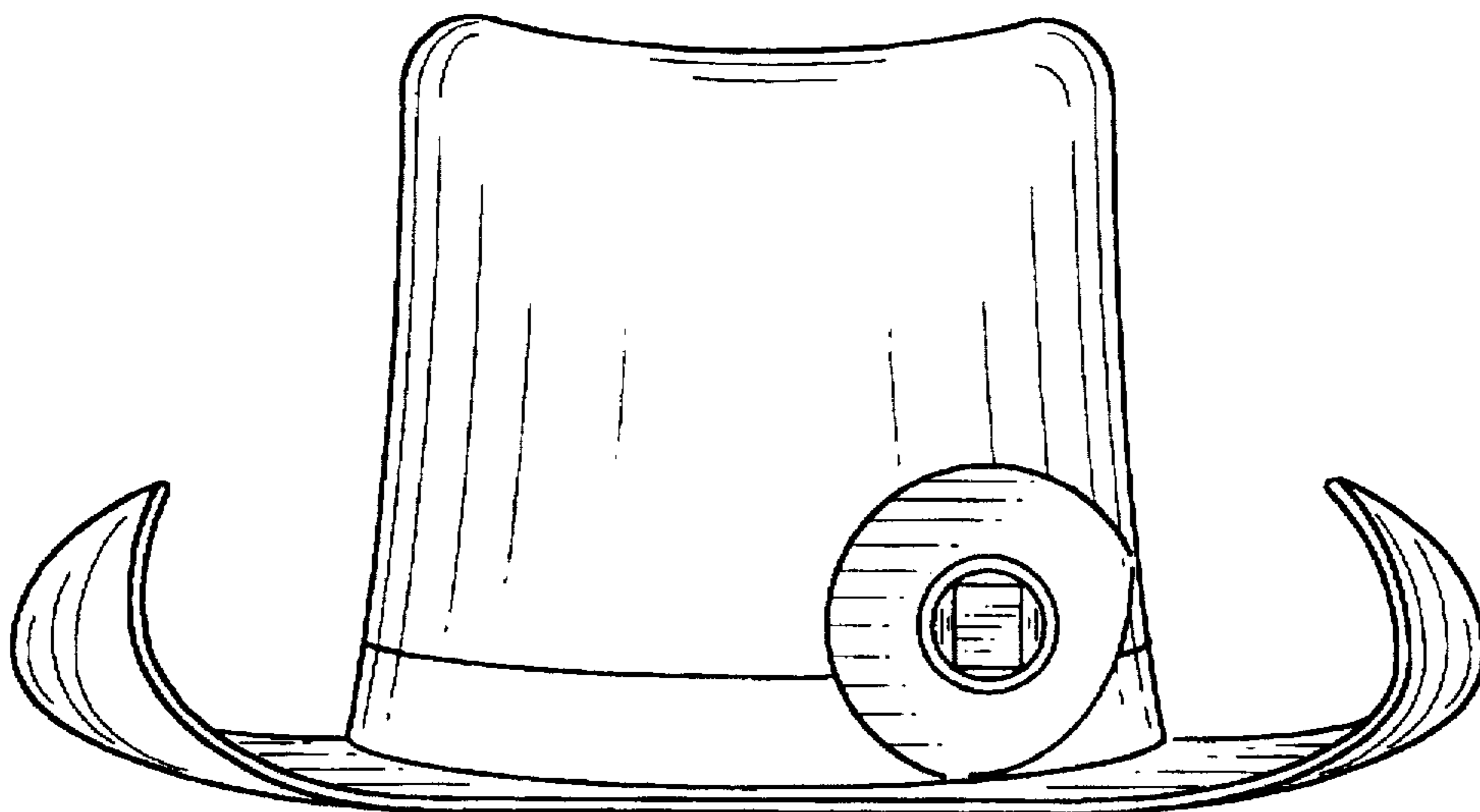


Fig. 5

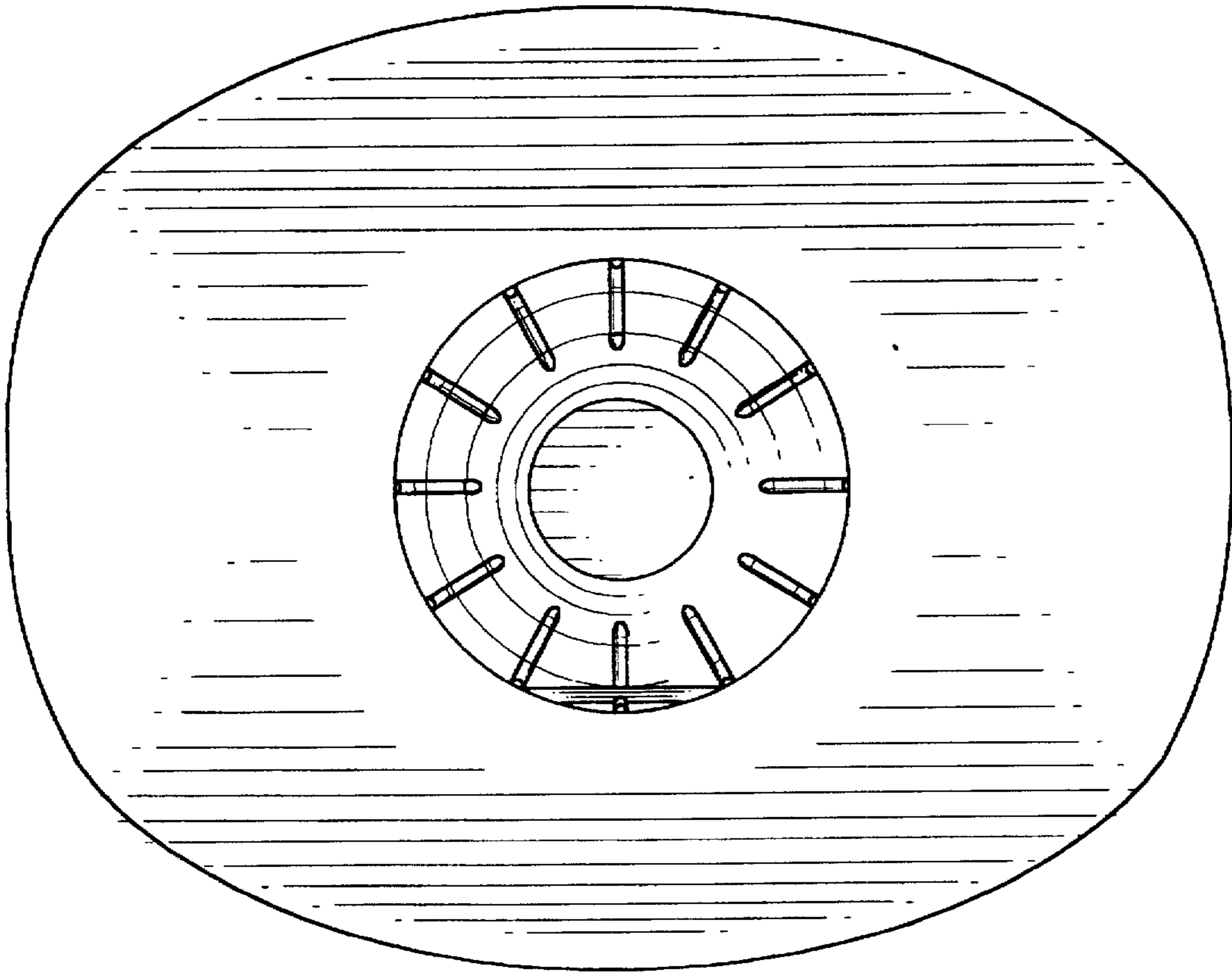


Fig. 6

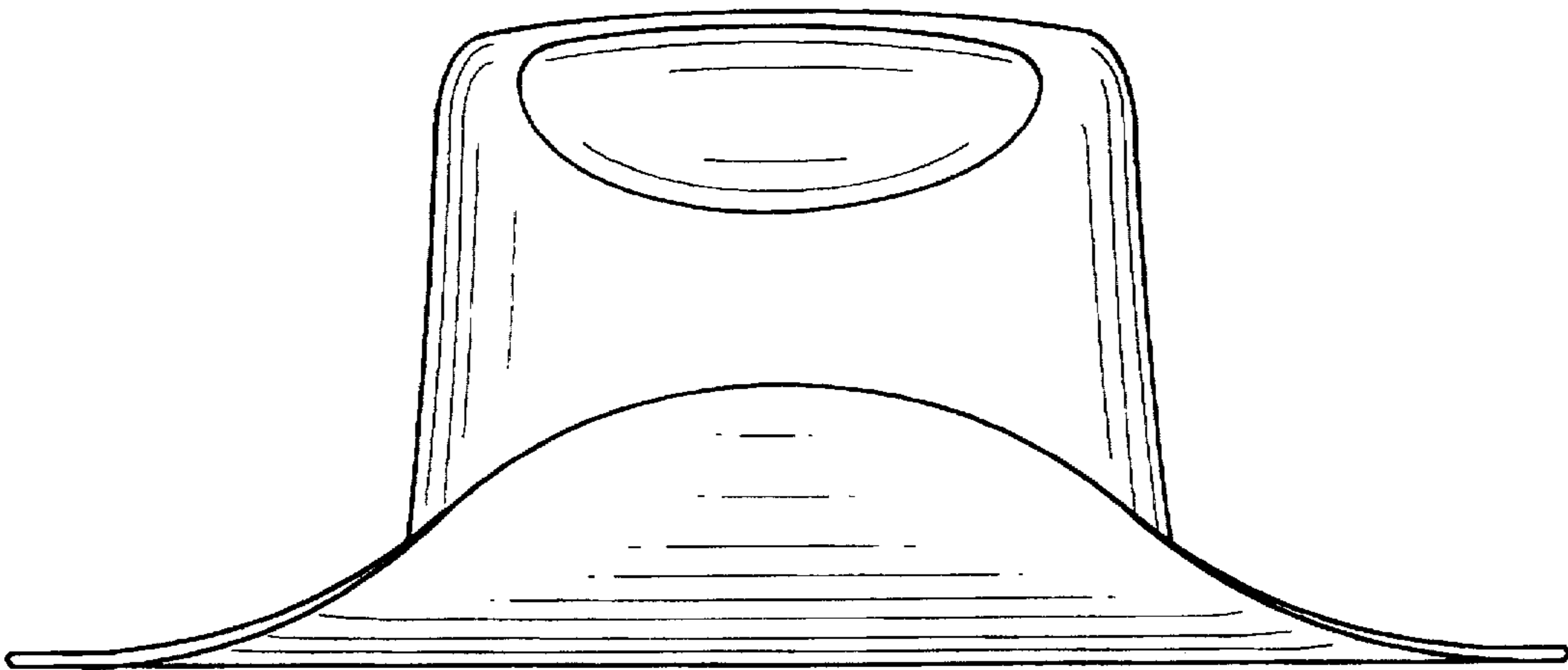


Fig. 7