



US00D392921S

United States Patent [19] McCloud

[11] Patent Number: Des. 392,921
[45] Date of Patent: **Mar. 31, 1998

[54] CARAVAN

4,629,241 12/1986 Gruich .
5,028,072 7/1991 Lindsay .

[76] Inventor: **David Hampton McCloud**, 4 Dune Court, West Lakes Shore, State of South Australia, Australia

FOREIGN PATENT DOCUMENTS

[**] Term: **14 Years**

1880070	2/1972	Australia .
4455379	9/1979	Australia .
8128582	9/1982	Australia .
1357983	8/1983	Australia .
0017263	10/1980	European Pat. Off. .
0215320	3/1987	European Pat. Off. .
2466381	4/1981	France .
2481666	11/1981	France .
228222	10/1985	German Dem. Rep. .
1727098	3/1956	Germany .
7817392	9/1978	Germany .
3101978	9/1982	Germany .
3217970	11/1983	Germany .
3321306	12/1984	Germany .
4025496	4/1992	Germany .
2023512	1/1980	United Kingdom .

[21] Appl. No.: **51,871**

[22] Filed: **Mar. 8, 1996**

Related U.S. Application Data

[63] Continuation-in-part of Ser. No. 256,151, Jun. 24, 1994, abandoned.

[30] Foreign Application Priority Data

Dec. 24, 1991 [AU] Australia PL0167

[51] LOC (6) CL **12-10**

[52] U.S. Cl. **D12/103**

[58] Field of Search D12/103, 102, D12/104, 105, 101; 296/168, 156, 24.1; 250/423, 424, 418.1, 416

Primary Examiner—Melody N. Brown
Attorney, Agent, or Firm—Evenson, McKeown, Edwards & Lenahan, P.L.L.C.

[57] CLAIM

The ornamental design for a caravan, as shown.

[56] References Cited

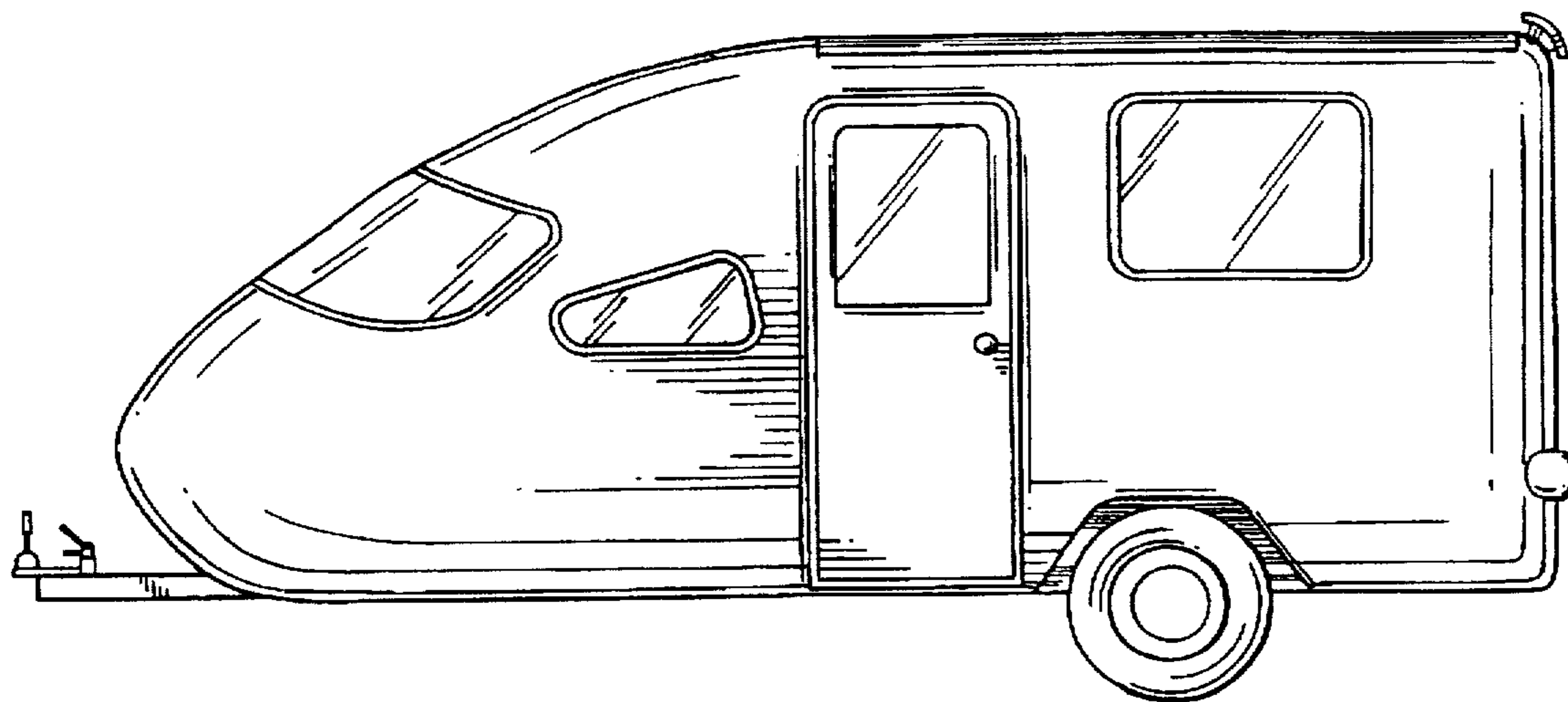
U.S. PATENT DOCUMENTS

D. 97,140	10/1935	McFall .	
D. 98,650	2/1936	Kaunitz et al. .	
D. 163,631	6/1951	Powell .	
D. 242,851	12/1976	Sakow	D12/103
D. 243,597	3/1977	Headington, Jr.	D12/103
D. 249,256	9/1978	Simoneau	D12/103
D. 258,949	4/1981	White	D12/103
D. 271,388	11/1983	Bourke	D12/104
D. 314,165	1/1991	Sanders	D12/103
D. 340,430	10/1993	Krah	D12/103
D. 354,023	1/1995	Romesburg	D12/102

DESCRIPTION

FIG. 1 is a side view of my caravan;
FIG. 2 is an opposite side view of my caravan;
FIG. 3 is a top plan view of my caravan, with the door in open condition;
FIG. 4 is a bottom plan view of my caravan, with the door in the open condition;
FIG. 5 is a rear view of my caravan; and,
FIG. 6 is a front view of my caravan.

1 Claim, 3 Drawing Sheets



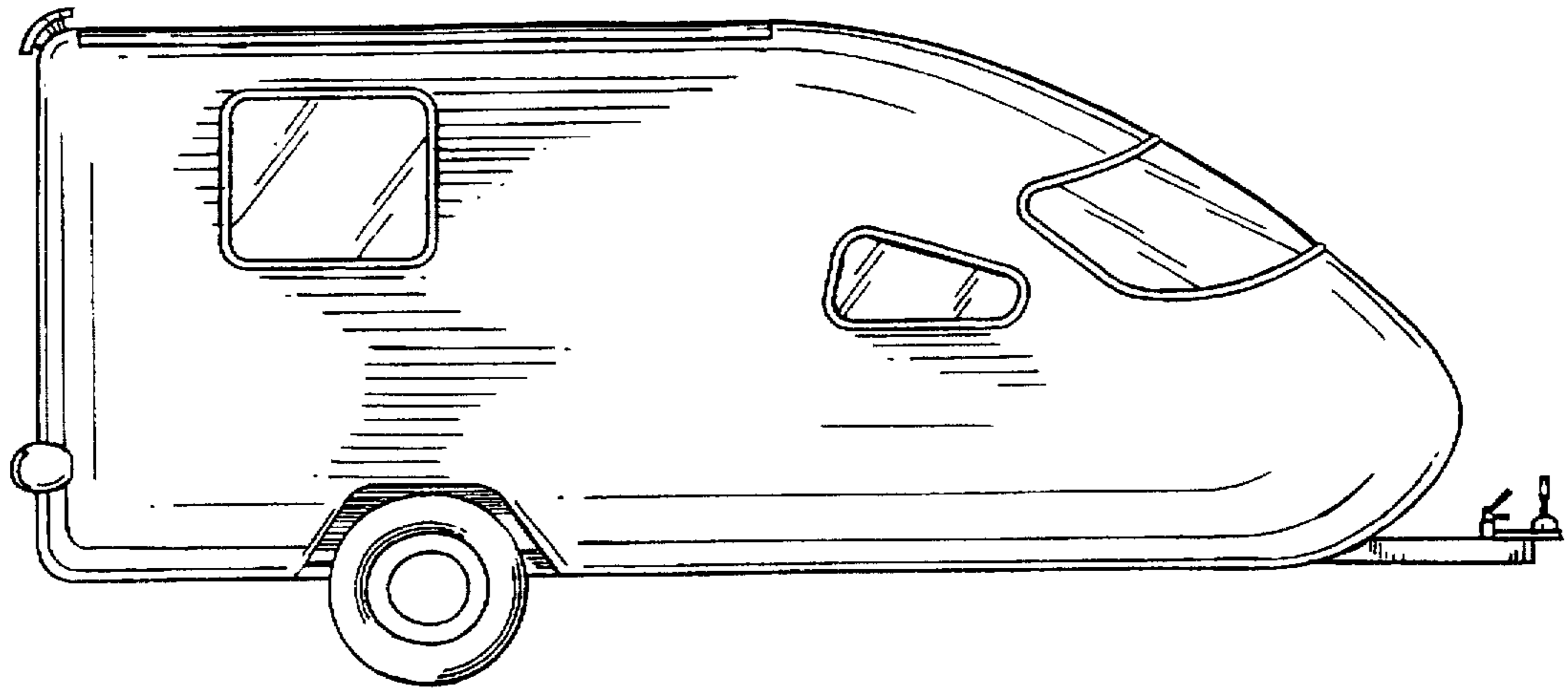


FIG 1

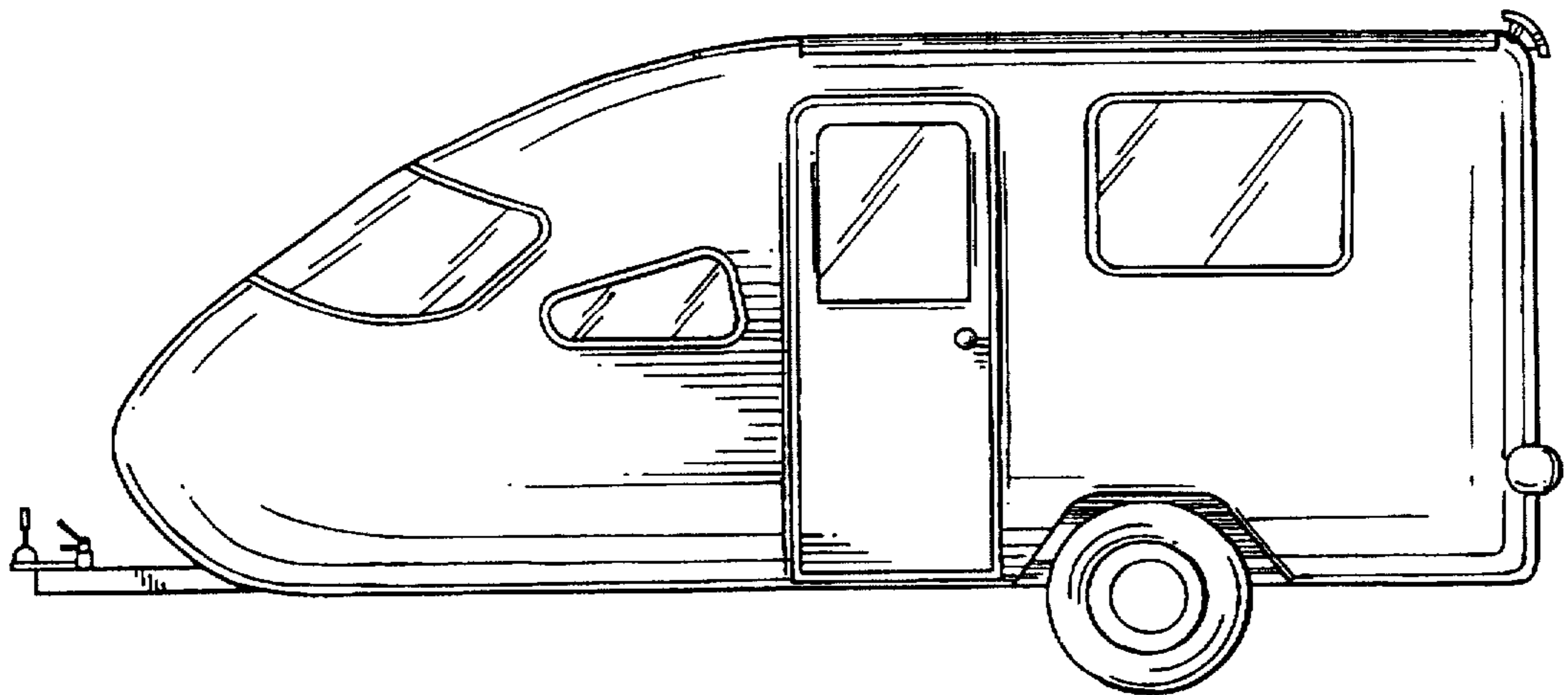


FIG 2

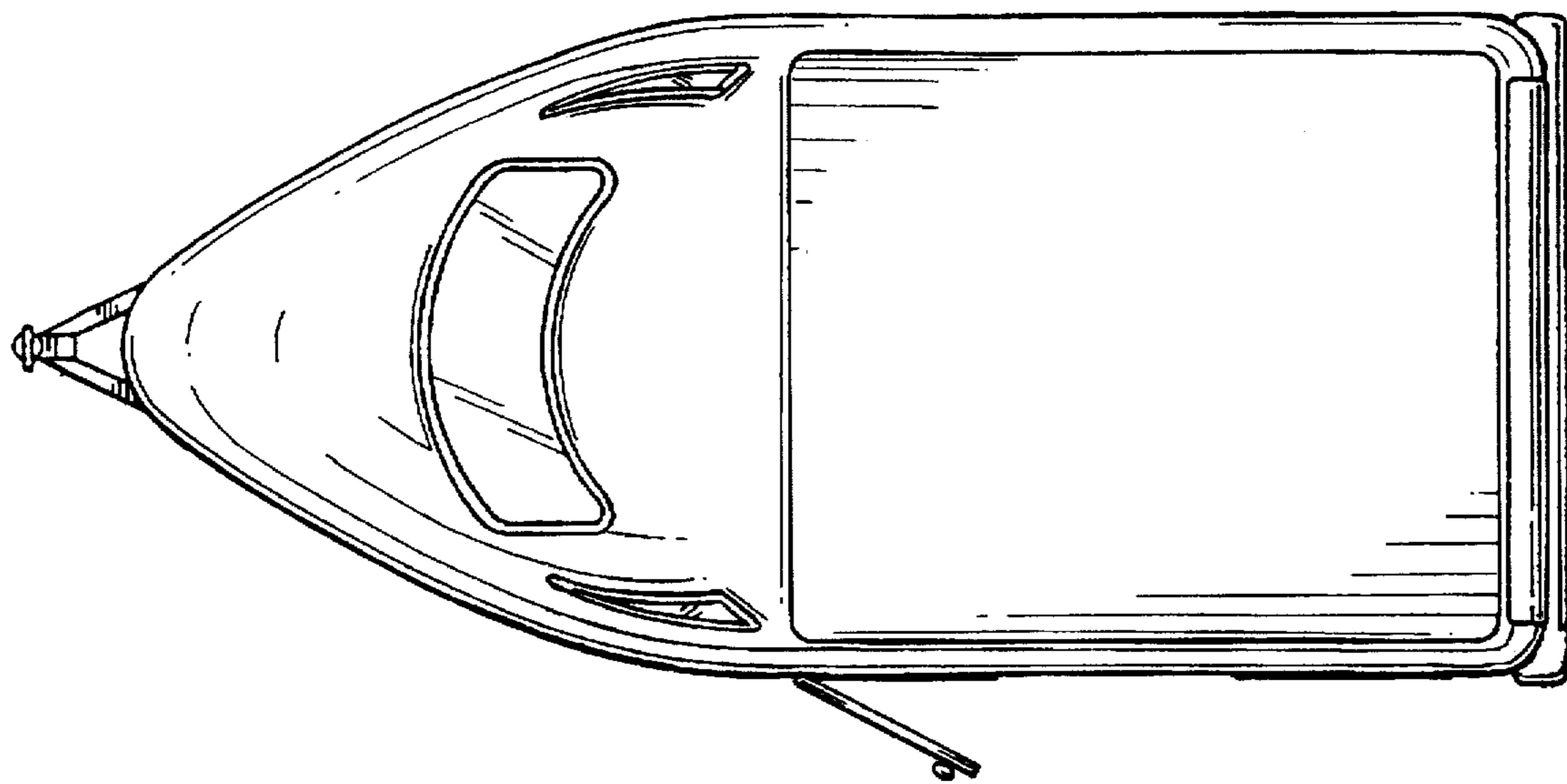


FIG. 3

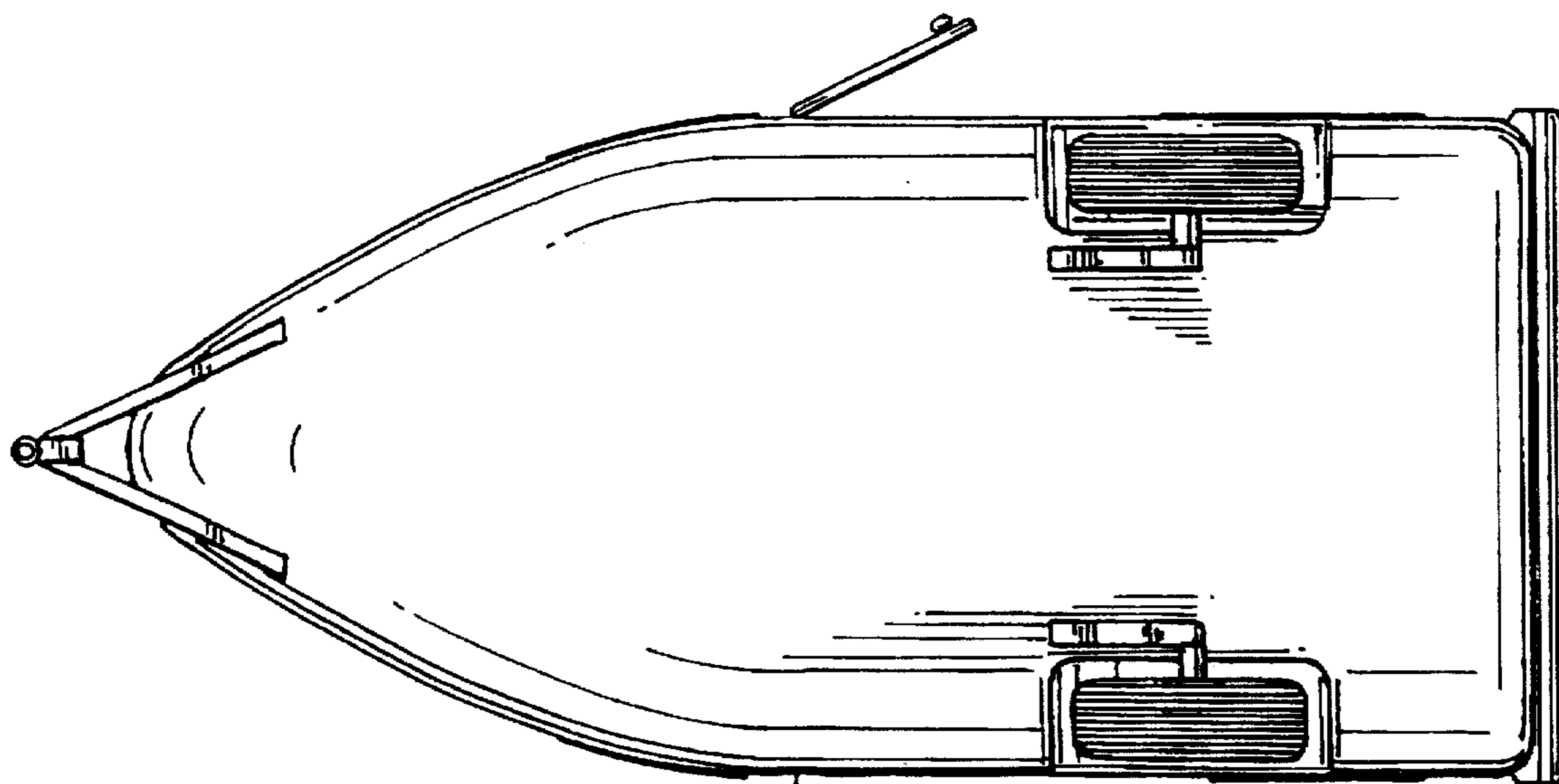


FIG. 4

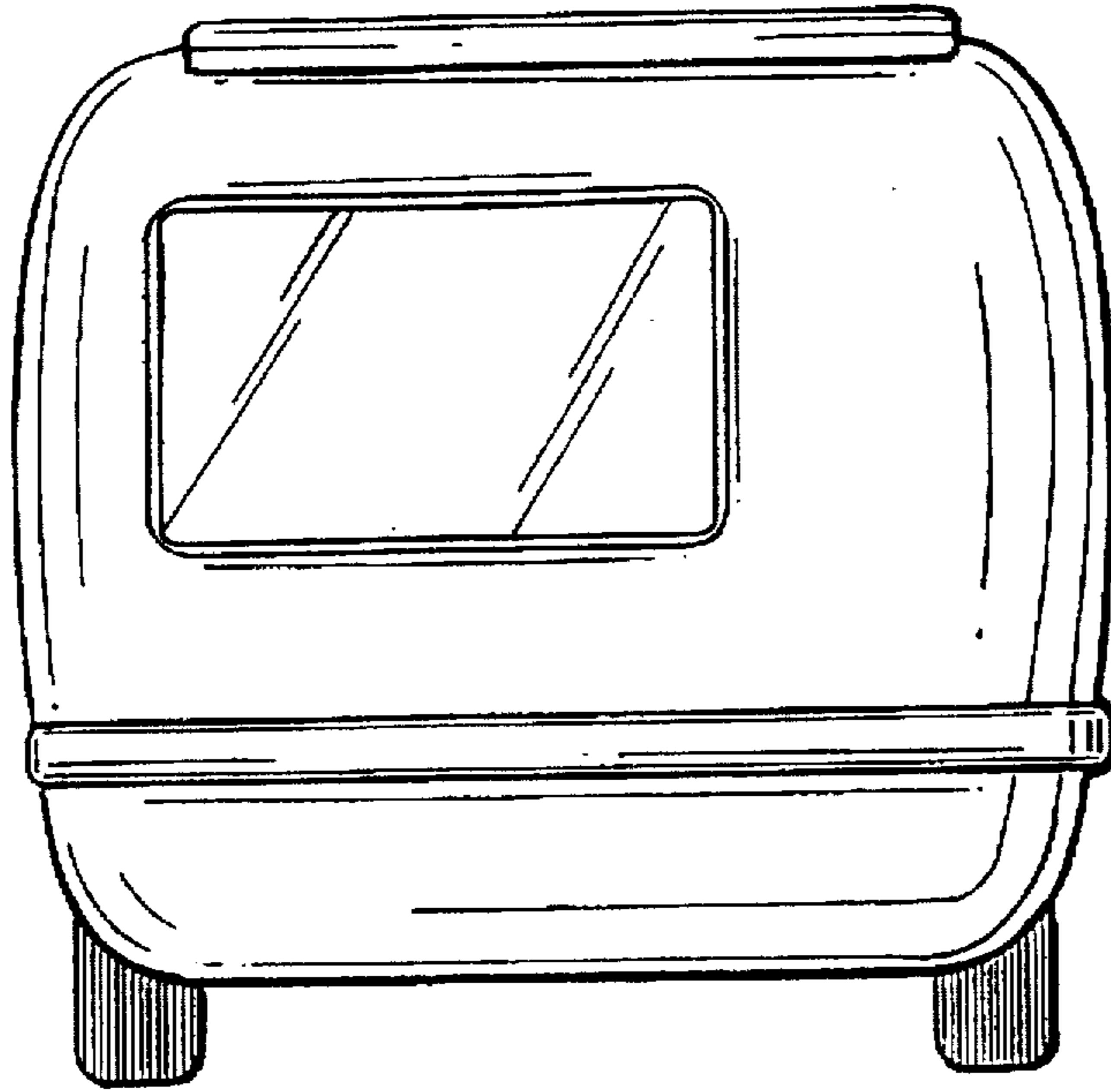


FIG. 5

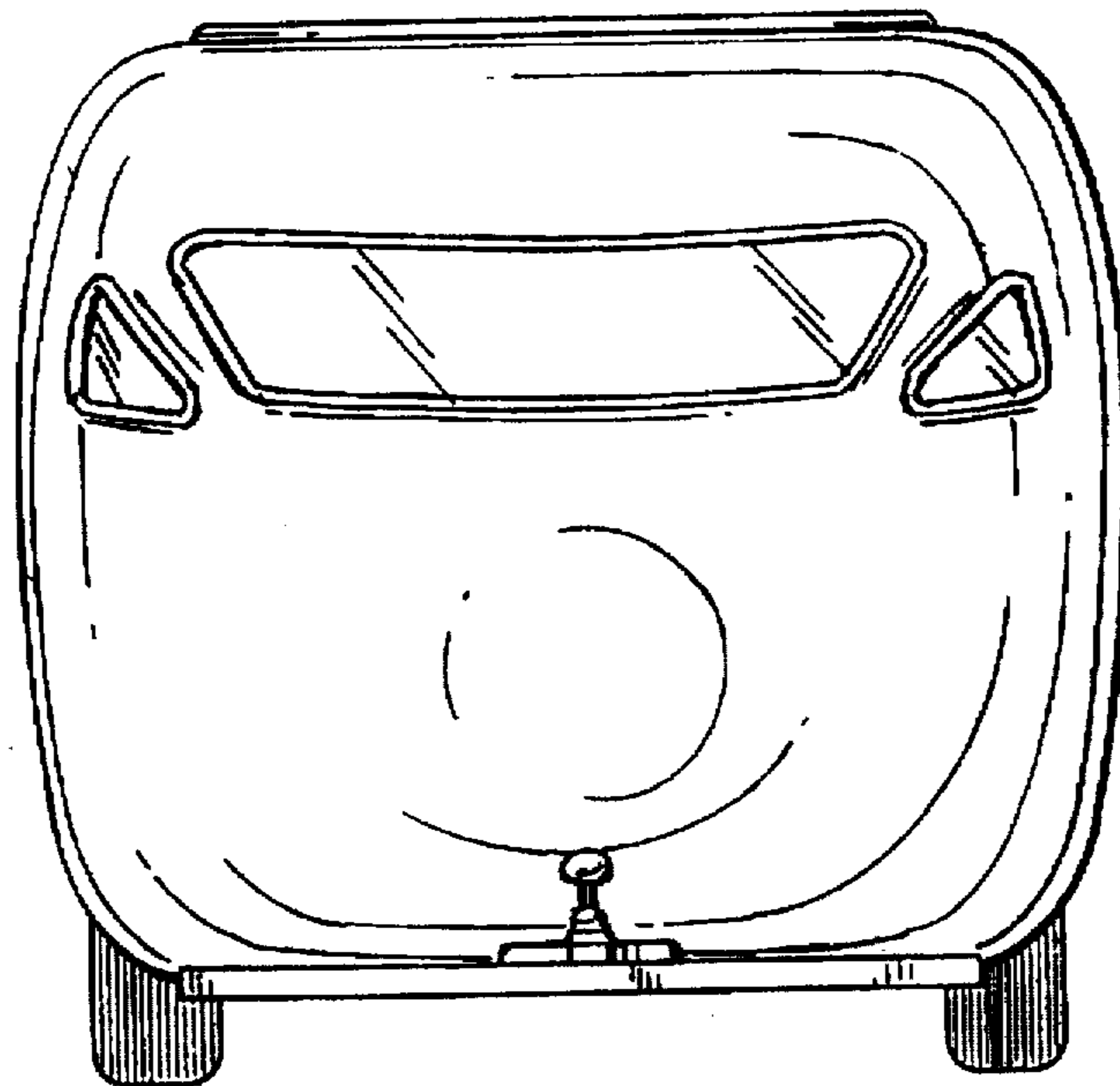


FIG. 6