



US00D392919S

**United States Patent** [19]

[11] **Patent Number: Des. 392,919**

**Butler**

[45] **Date of Patent: \*\*Mar. 31, 1998**

[54] **SCARF RETAINER**

*Primary Examiner—Ralf Seifert*  
*Attorney, Agent, or Firm—Rhodes, Coats & Bennett, L.L.P.*

[76] **Inventor: Janice M. Butler, 127 Carolina Ave., Burlington, N.C. 27215**

[57] **CLAIM**

[\*\*] **Term: 14 Years**

The ornamental design for a scarf retainer, as shown and described.

[21] **Appl. No.: 63,588**

**DESCRIPTION**

[22] **Filed: Dec. 5, 1996**

FIG. 1 is a front perspective view of a scarf retainer showing my new design, the broken line showing is for illustrating environmental elements only and forms no part of the claimed design;

[51] **LOC (6) Cl. .... 02-07**

[52] **U.S. Cl. .... D11/202**

[58] **Field of Search ..... D11/200, 202-205; 223/44, 46**

FIG. 2 is a top plan view thereof; and

FIG. 3 is a side elevational view thereof, the opposite side being a mirror image.

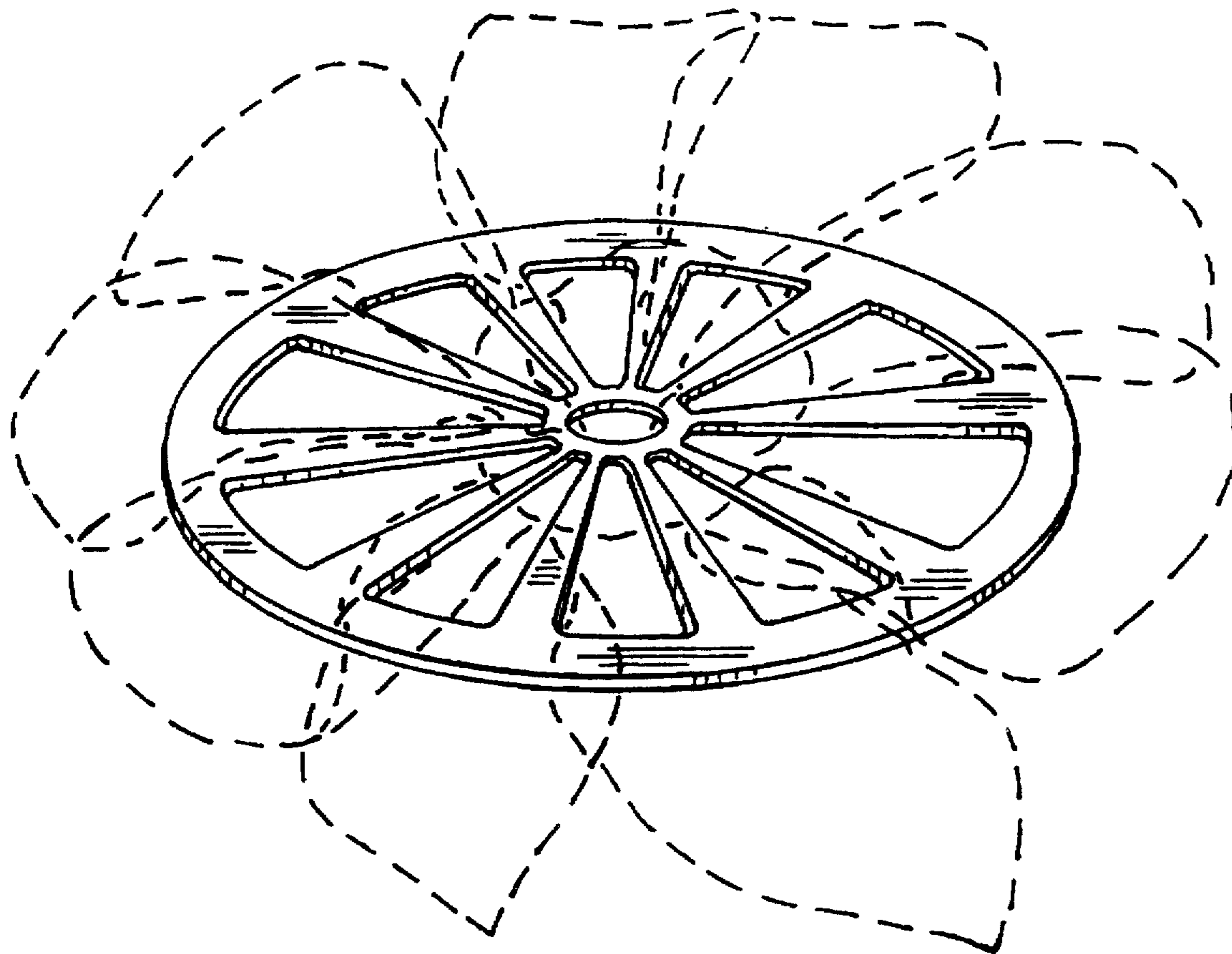
[56] **References Cited**

**U.S. PATENT DOCUMENTS**

D. 123,077	10/1940	Craighead	.....	D11/202
D. 125,673	3/1941	Silverman	.....	D11/202
D. 127,740	6/1941	Montmartin	.....	D11/202
D. 158,919	6/1950	Wolff	.....	D11/204
D. 362,412	9/1995	Westover et al.	.....	D11/202

The bottom view of the design is not shown and would not depict any aspect of the invention not already shown in the figures.

**1 Claim, 1 Drawing Sheet**



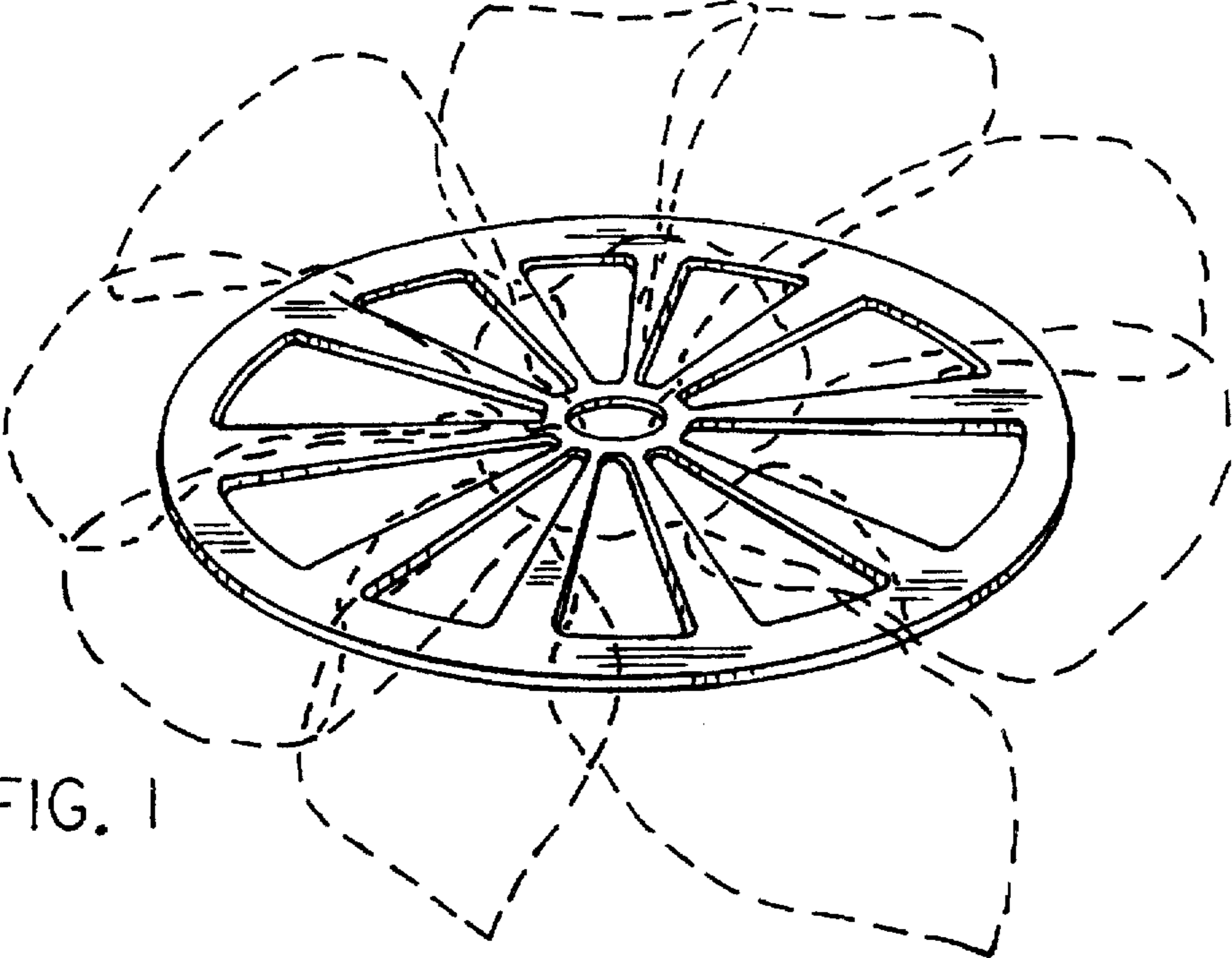


FIG. 1

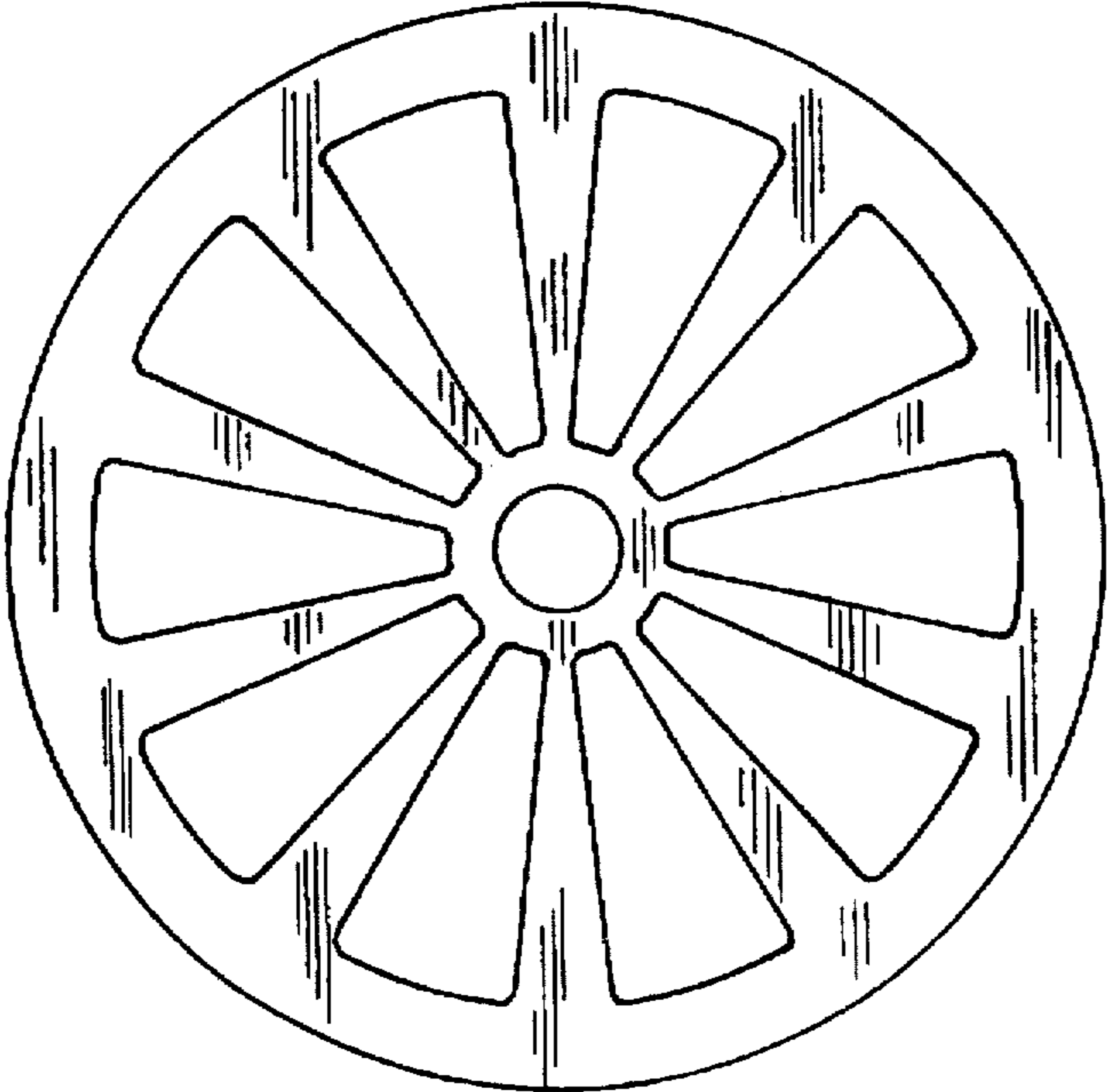


FIG. 2



FIG. 3