



US00D392901S

United States Patent [19]
Mok

[11] **Patent Number: Des. 392,901**
[45] **Date of Patent: **Mar. 31, 1998**

[54] **CLOCK**

[75] **Inventor: Kai Man Mok, Kowloon, Hong Kong**

[73] **Assignee: Medix Quartz Industries Ltd.,
Kowloon, Hong Kong**

[**] **Term: 14 Years**

[21] **Appl. No.: 63,603**

[22] **Filed: Dec. 11, 1996**

[51] **LOC (6) Cl. 10-01**

[52] **U.S. Cl. D10/22; D10/23**

[58] **Field of Search D10/1-40, 122-132;
368/276-277, 285, 316-317**

[56] **References Cited**

U.S. PATENT DOCUMENTS

D. 55,019	5/1920	Bennet	D10/22	X
D. 90,935	10/1933	Barrett	D10/23	X
D. 99,999	6/1936	Braude	D10/23	
D. 100,776	8/1936	Jacobs	D10/23	X
D. 153,420	4/1949	Dekanski	D10/22	X
D. 233,026	10/1974	Blessing	D10/23	
D. 236,591	9/1975	Daher	D10/23	
D. 276,703	12/1984	Au	D10/22	X

OTHER PUBLICATIONS

Jeweler's Circular—Keystone—Dec. 1971—p. 16—Clock at bottom—right.

*Primary Examiner—Nelson C. Holtje
Attorney, Agent, or Firm—Beveridge, DeGrandi, Weilacher & Young LLP*

[57] **CLAIM**

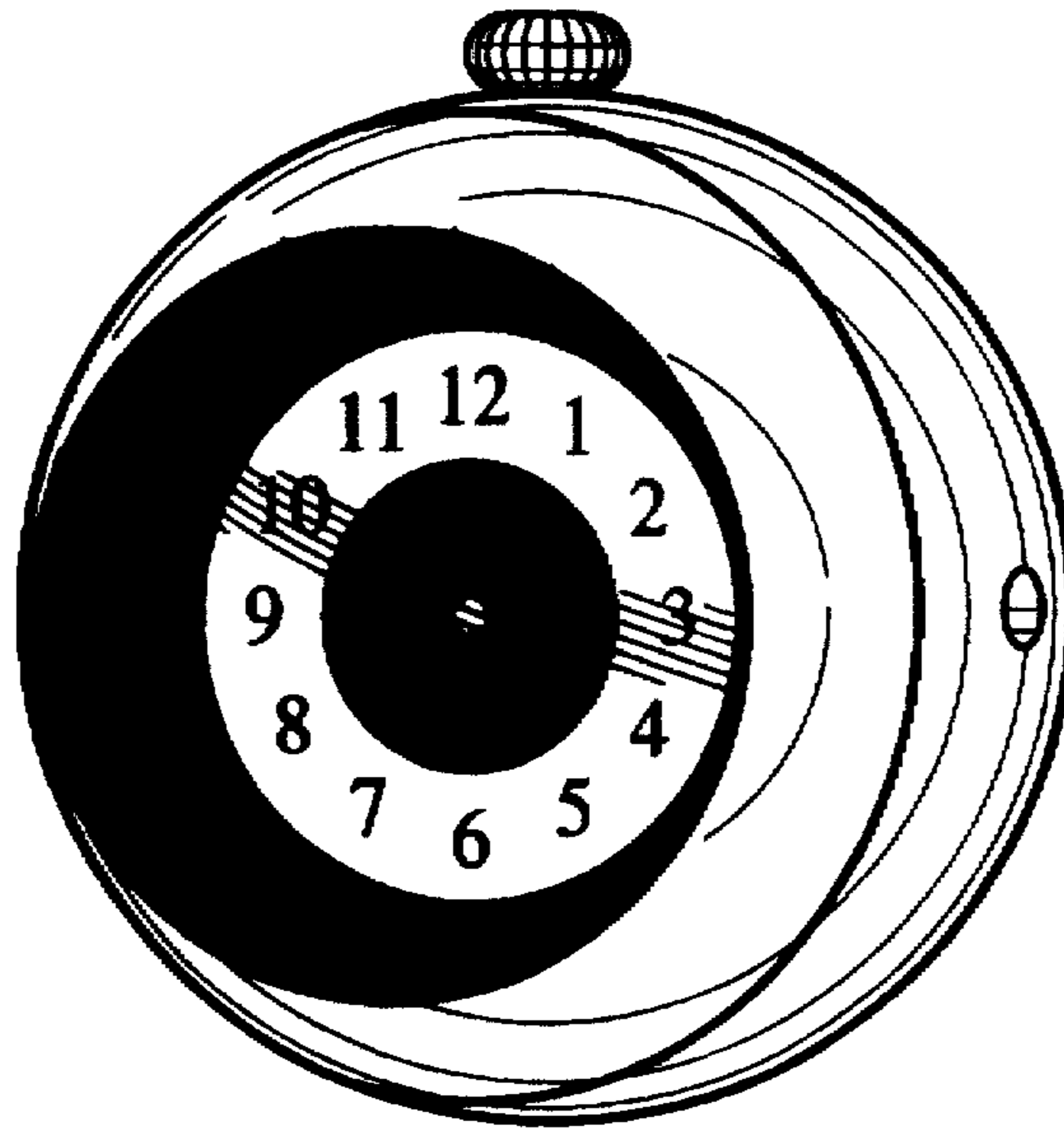
The ornamental design for a clock, as shown and described.

DESCRIPTION

FIG. 1 is a front perspective view of a clock showing my new design;
FIG. 2 is a rear perspective view of a clock thereof;
FIG. 3 is a front view thereof;
FIG. 4 is a rear view thereof;
FIG. 5 is a left side view thereof;
FIG. 6 is a right side view thereof;
FIG. 7 is a top view thereof; and,
FIG. 8 is a bottom view thereof.

The broken line showing of a support structure is for illustrative purposes only and forms no part of the claimed design.

1 Claim, 2 Drawing Sheets



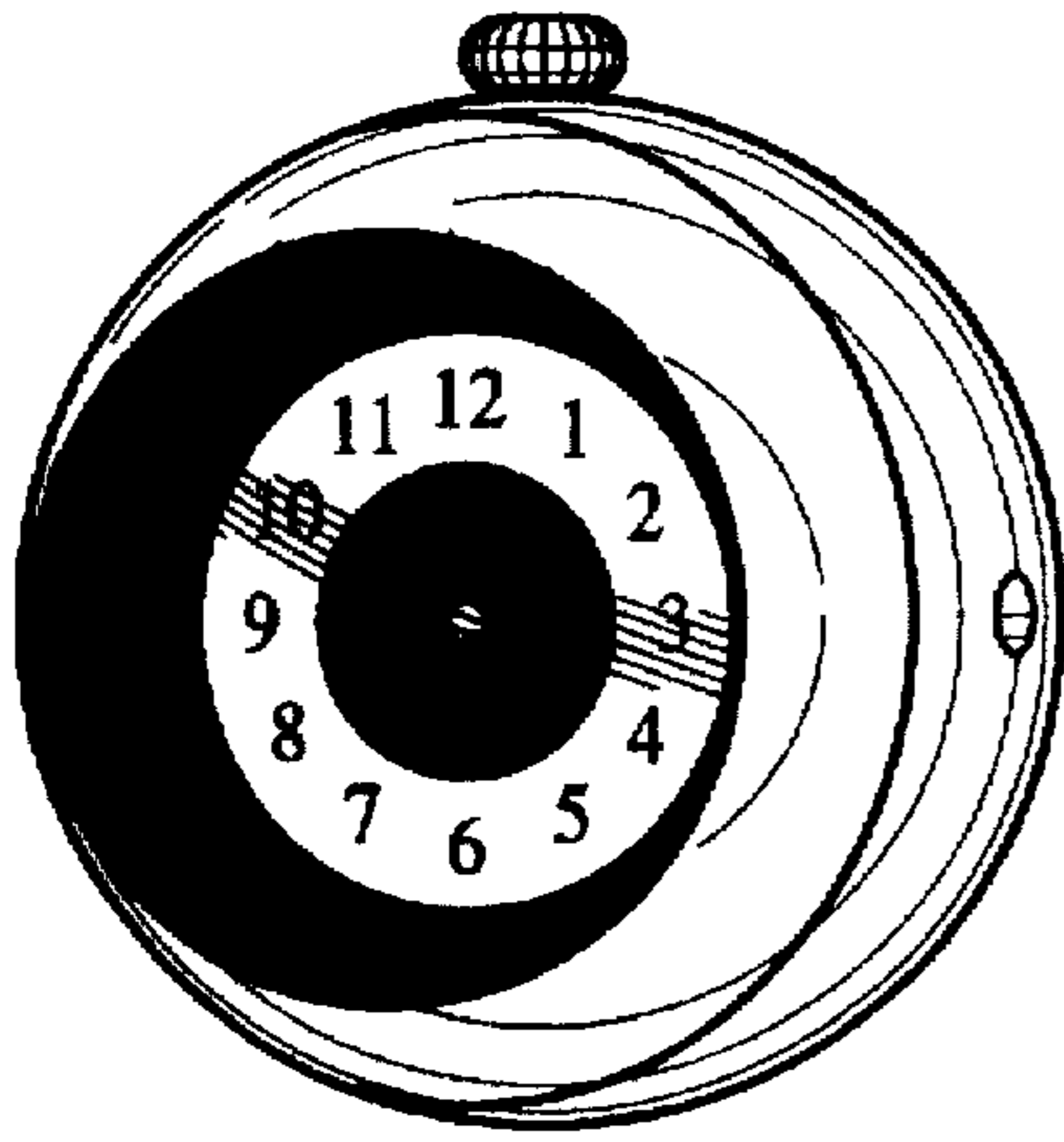


FIG. 1

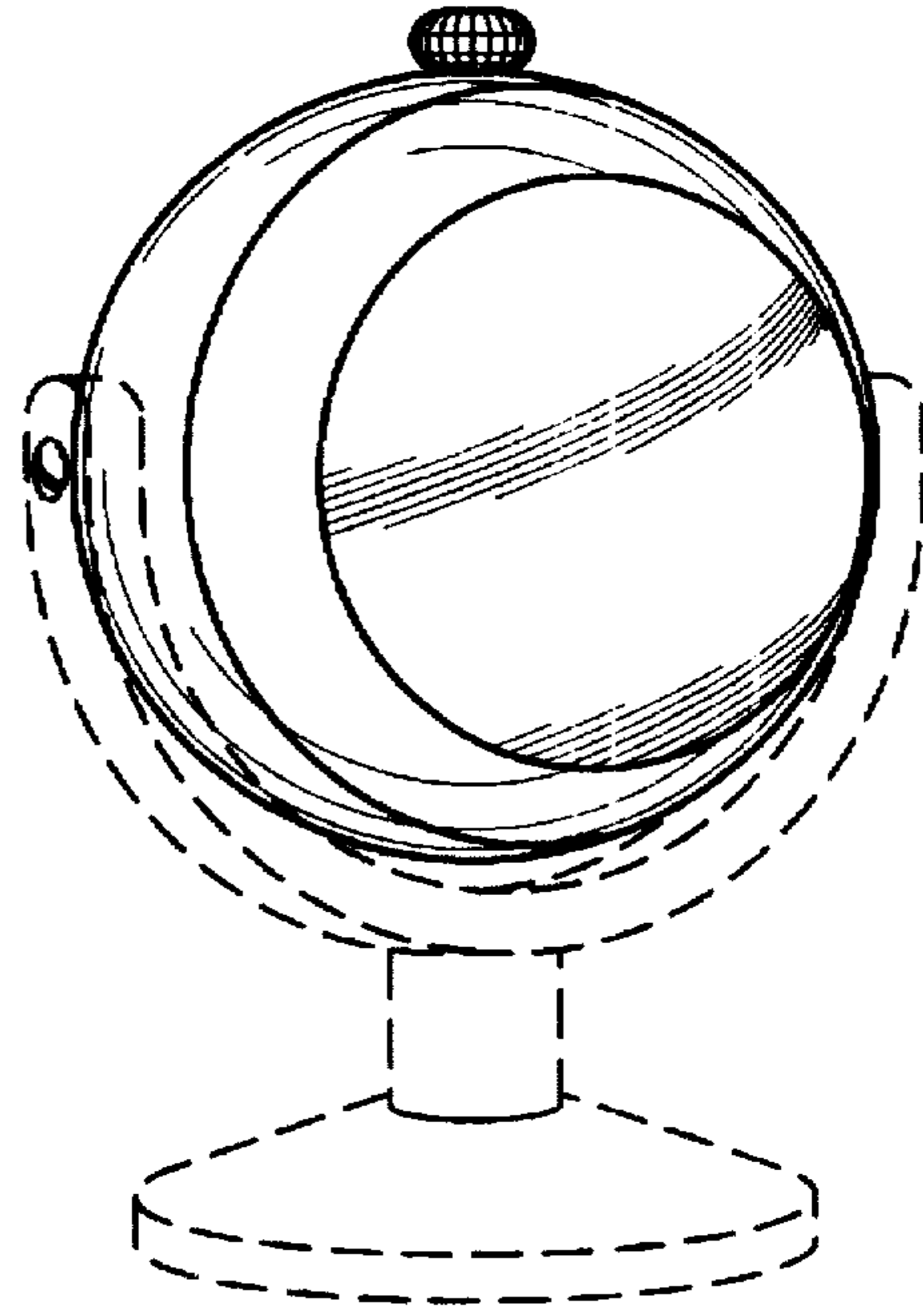


FIG. 2

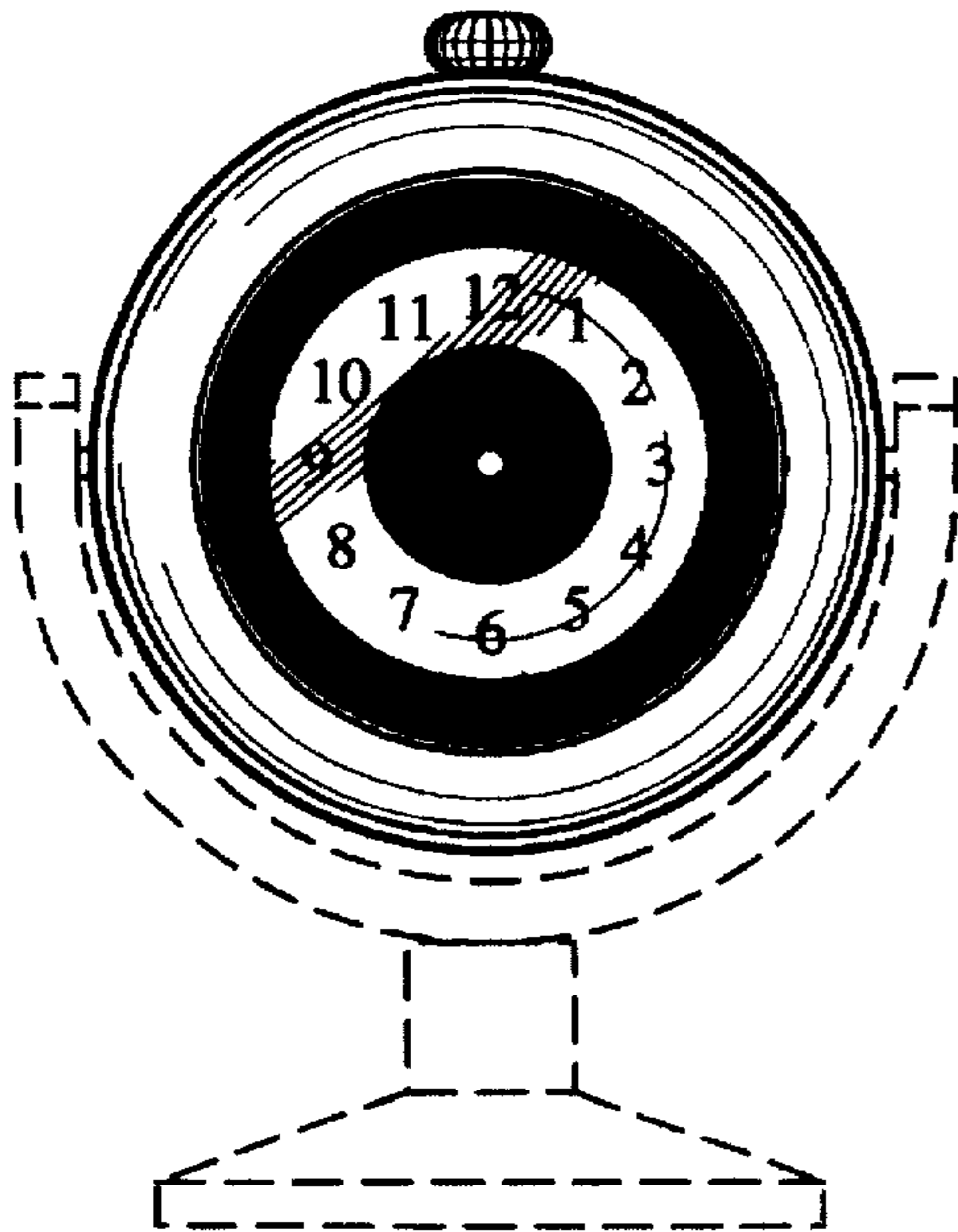


FIG. 3

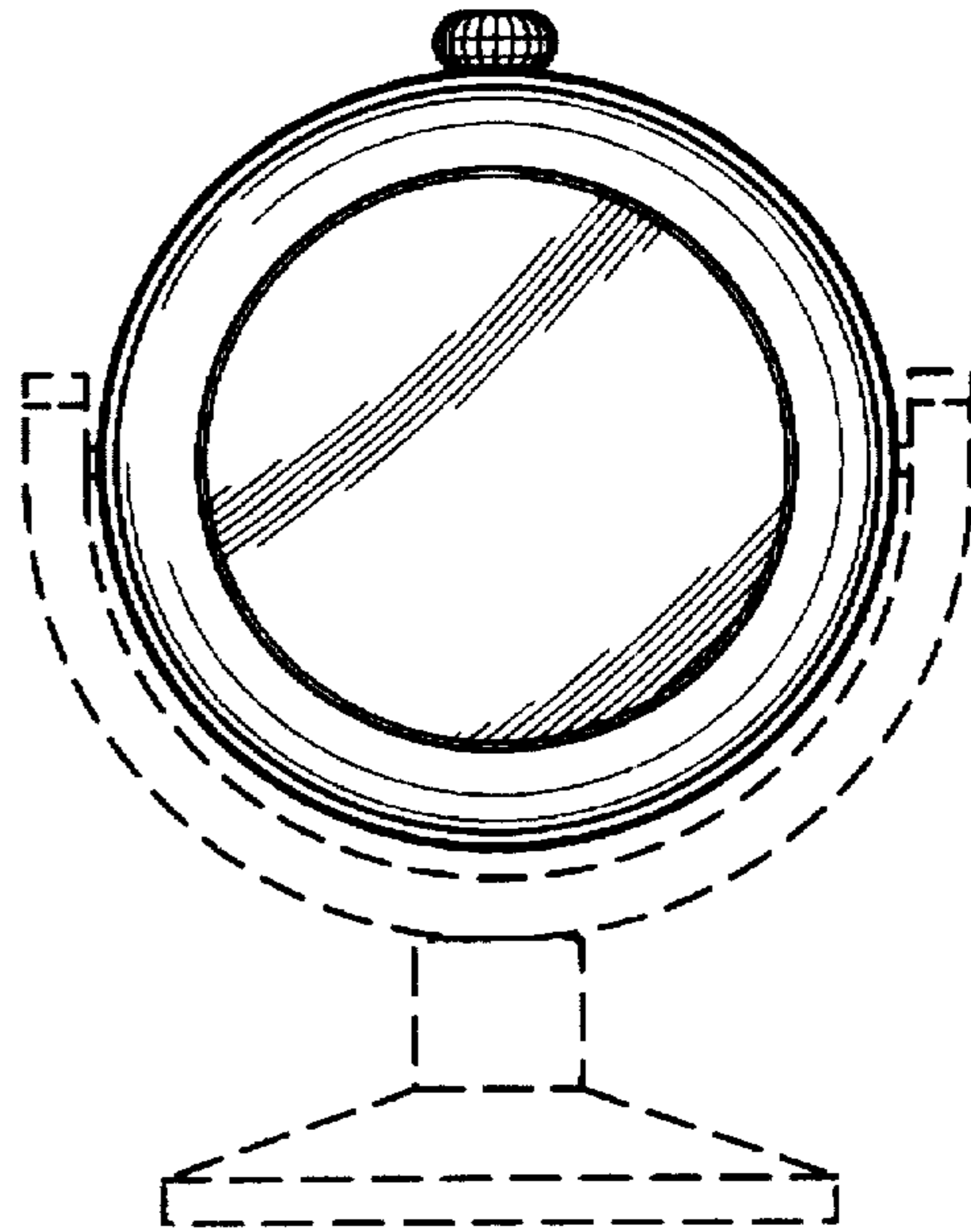


FIG. 4

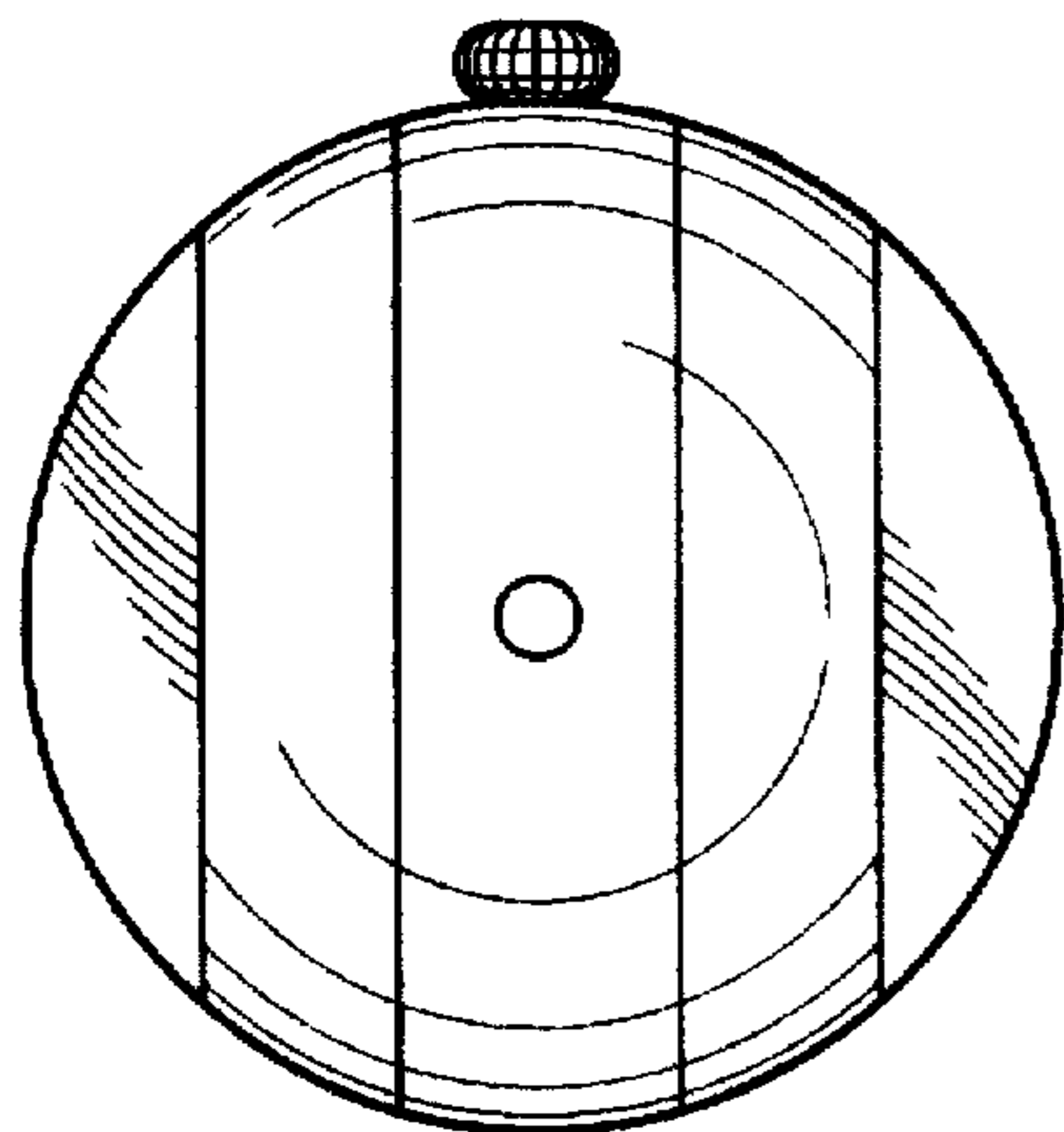


FIG. 5

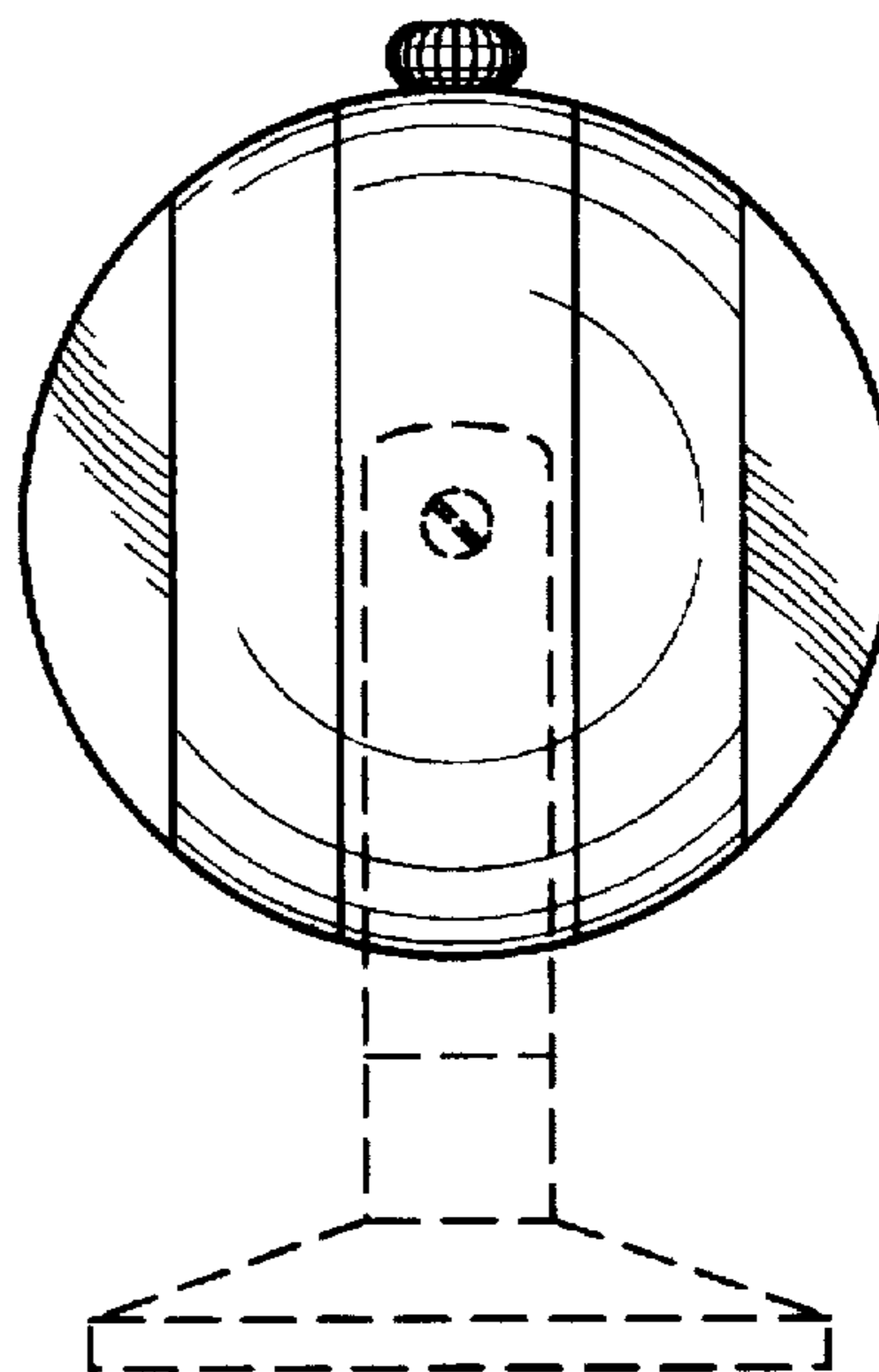


FIG. 6

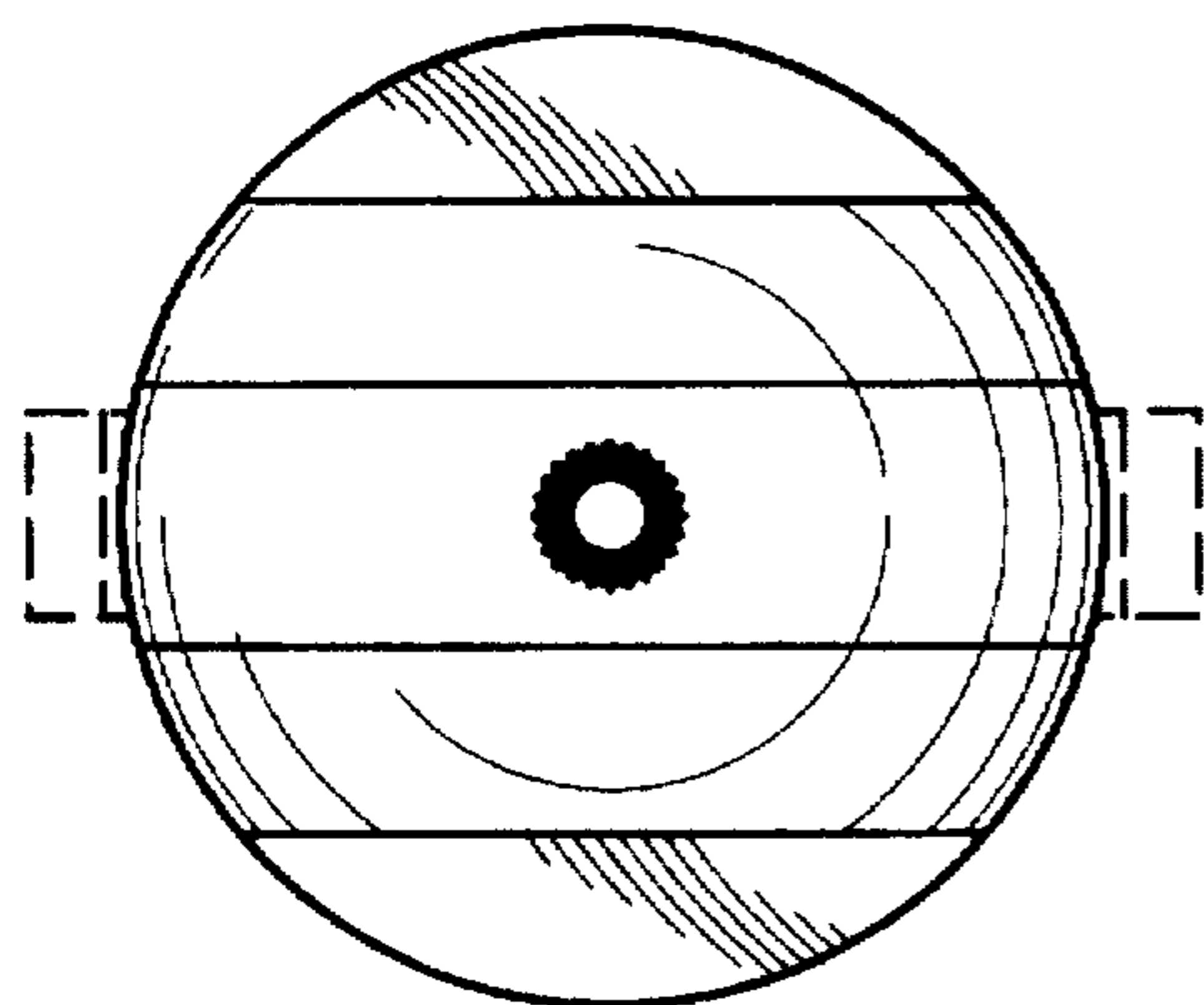


FIG. 7

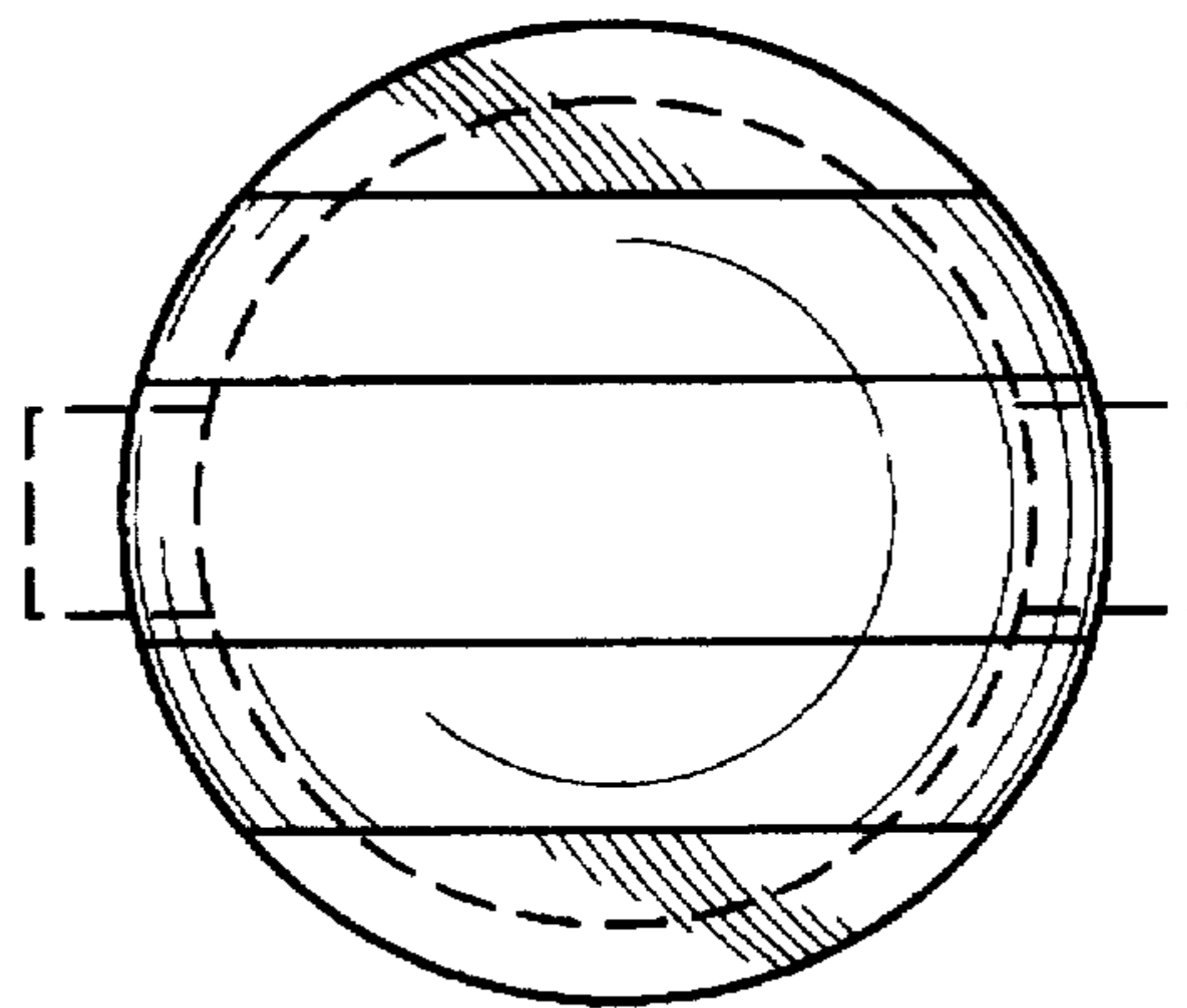


FIG. 8