



US00D392900S

United States Patent [19] Shields

[11] Patent Number: **Des. 392,900**
[45] Date of Patent: ****Mar. 31, 1998**

[54] **CLOCK**

[75] Inventor: **William James Mark Shields, Hong Kong, Hong Kong**

[73] Assignee: **The Ultimate Corporation Limited, Hong Kong**

[**] Term: **14 Years**

[21] Appl. No.: **56,220**

[22] Filed: **Jun. 21, 1996**

[30] **Foreign Application Priority Data**
Dec. 22, 1995 [GB] United Kingdom 2053005

[51] LOC (6) CL **10-01**

[52] U.S. Cl. **D10/22**

[58] Field of Search D10/1-40, 122-132;
368/276-277, 285, 316-317

[56] **References Cited**

U.S. PATENT DOCUMENTS

D. 121,916 8/1940 Ornstein D10/30
D. 172,266 5/1954 Bruce D10/22
D. 172,914 8/1954 Weisz D10/23

D. 174,986 6/1955 Fletcher D10/22
D. 184,092 12/1958 Kremer D10/23 X
D. 187,608 4/1960 Merrigan D10/22 X
D. 215,466 10/1969 Jones D10/22 X
D. 236,591 9/1975 Daher D10/23
D. 320,748 10/1991 Thompson D10/22
D. 362,627 9/1995 Liu D10/22

Primary Examiner—Nelson C. Holtje
Attorney, Agent, or Firm—Brinks Hofer Gilson & Lione

[57] CLAIM

The ornamental design for a clock, as shown and described.

DESCRIPTION

FIG. 1 is a front elevational view of a clock showing my new design;
FIG. 2 is a rear elevational view thereof;
FIG. 3 is a side elevational view showing one side thereof;
FIG. 4 is a side elevational view showing an opposite side thereof;
FIG. 5 is a bottom plan view thereof; and,
FIG. 6 is a top plan view thereof.

The surface indicia shown in broken lines in FIG. 1 are for environmental purposes only and form no part of the claimed design.

1 Claim, 3 Drawing Sheets

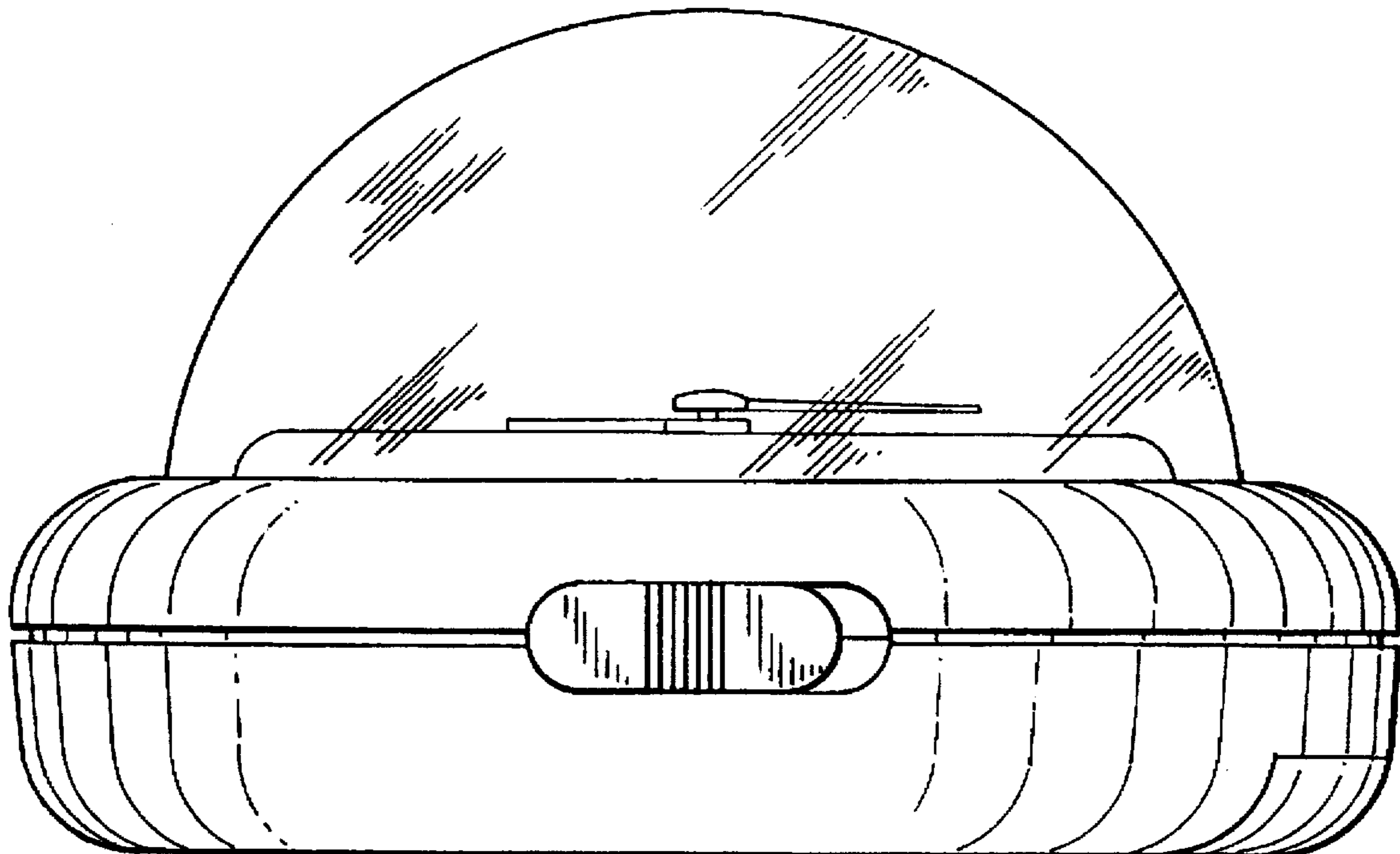


FIG. 1

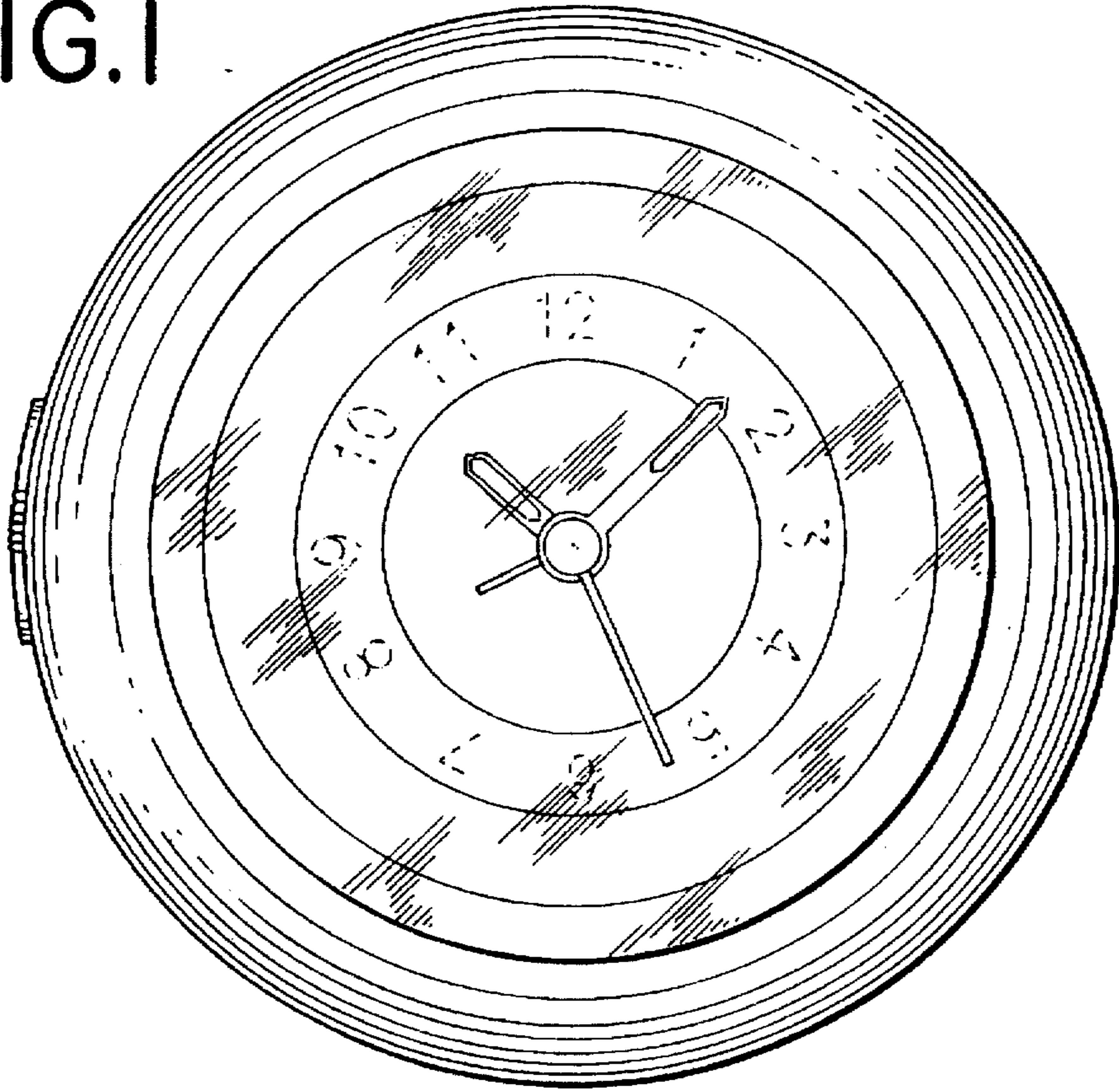


FIG. 2

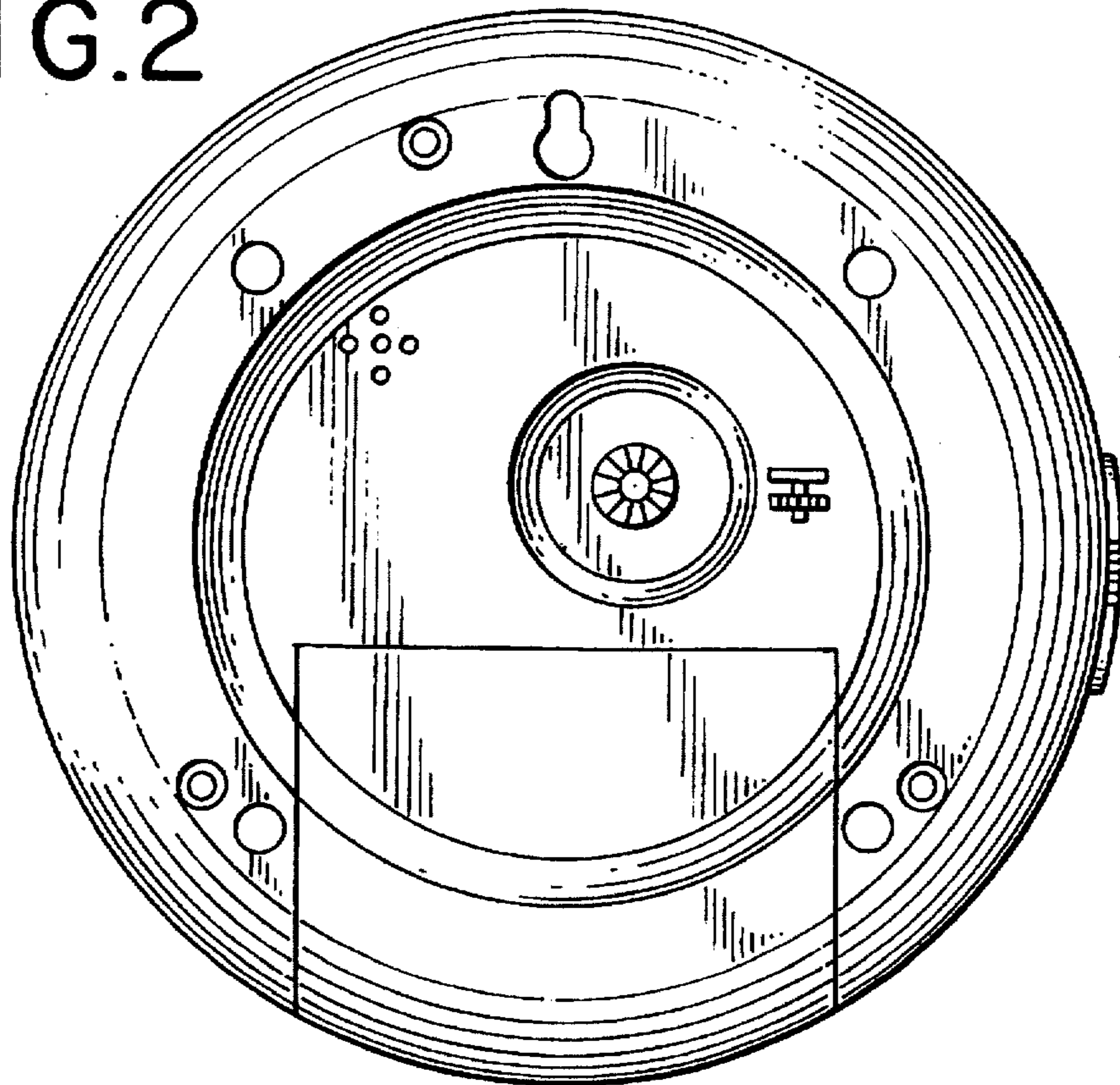


FIG.3

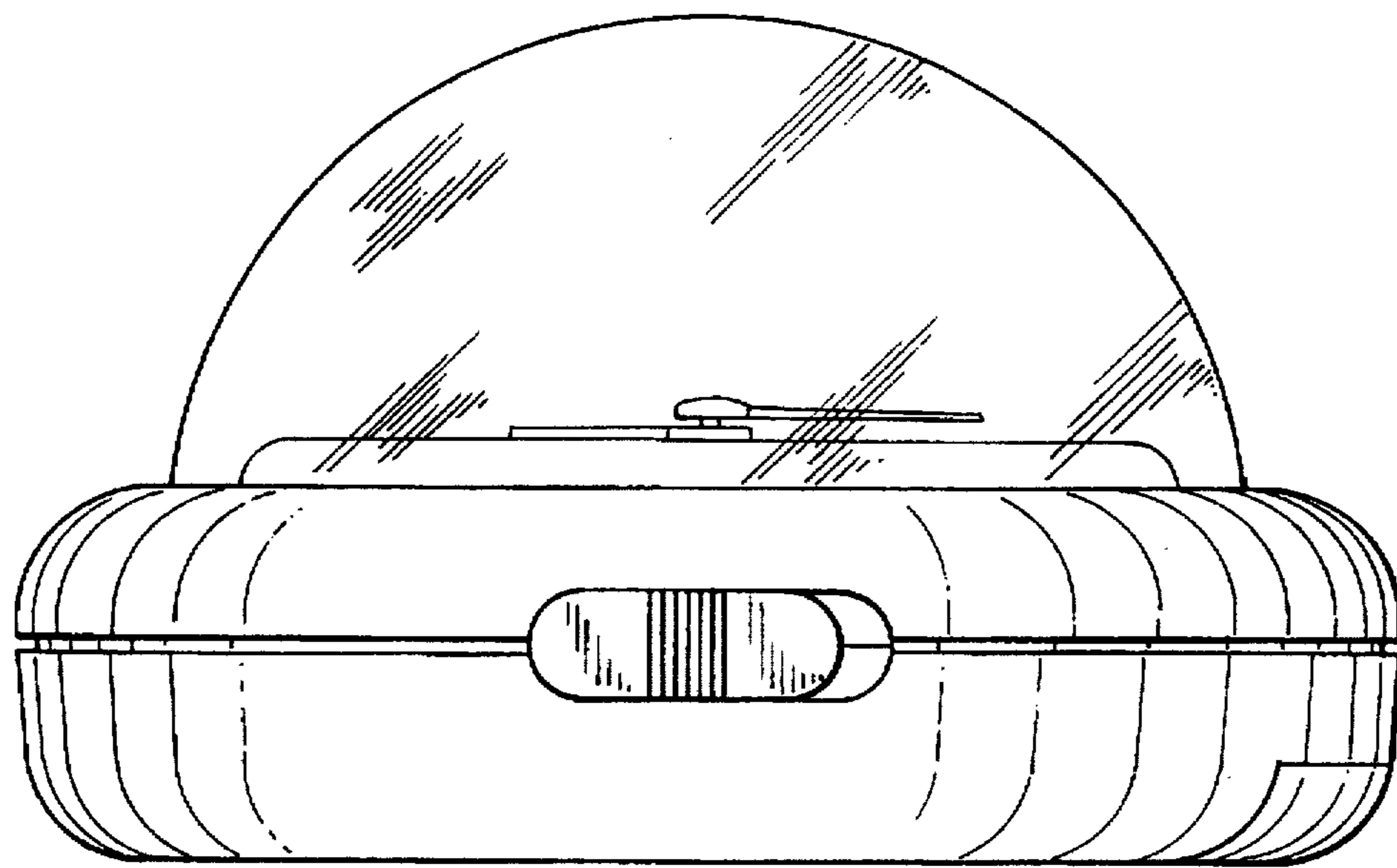


FIG. 4

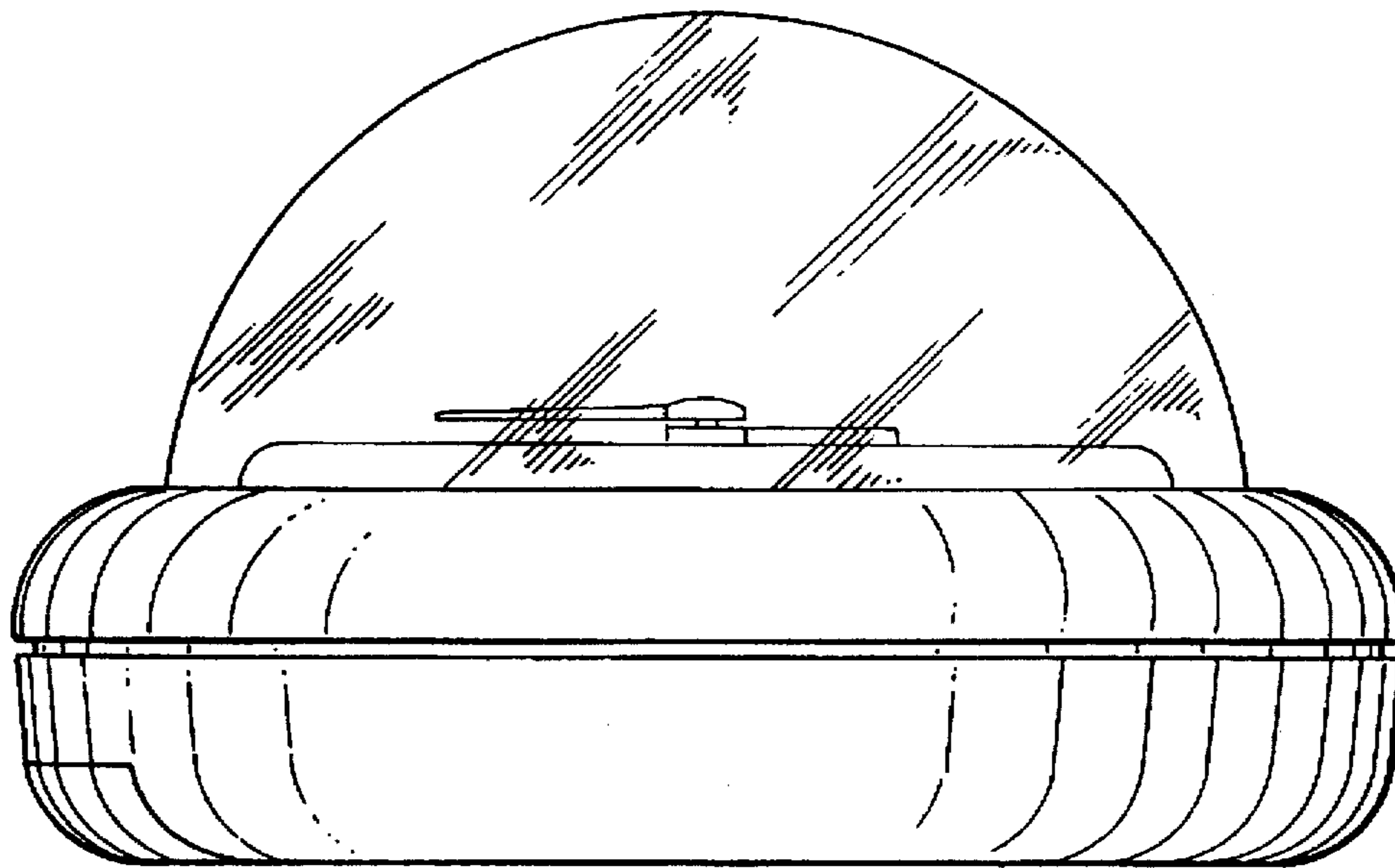


FIG.5

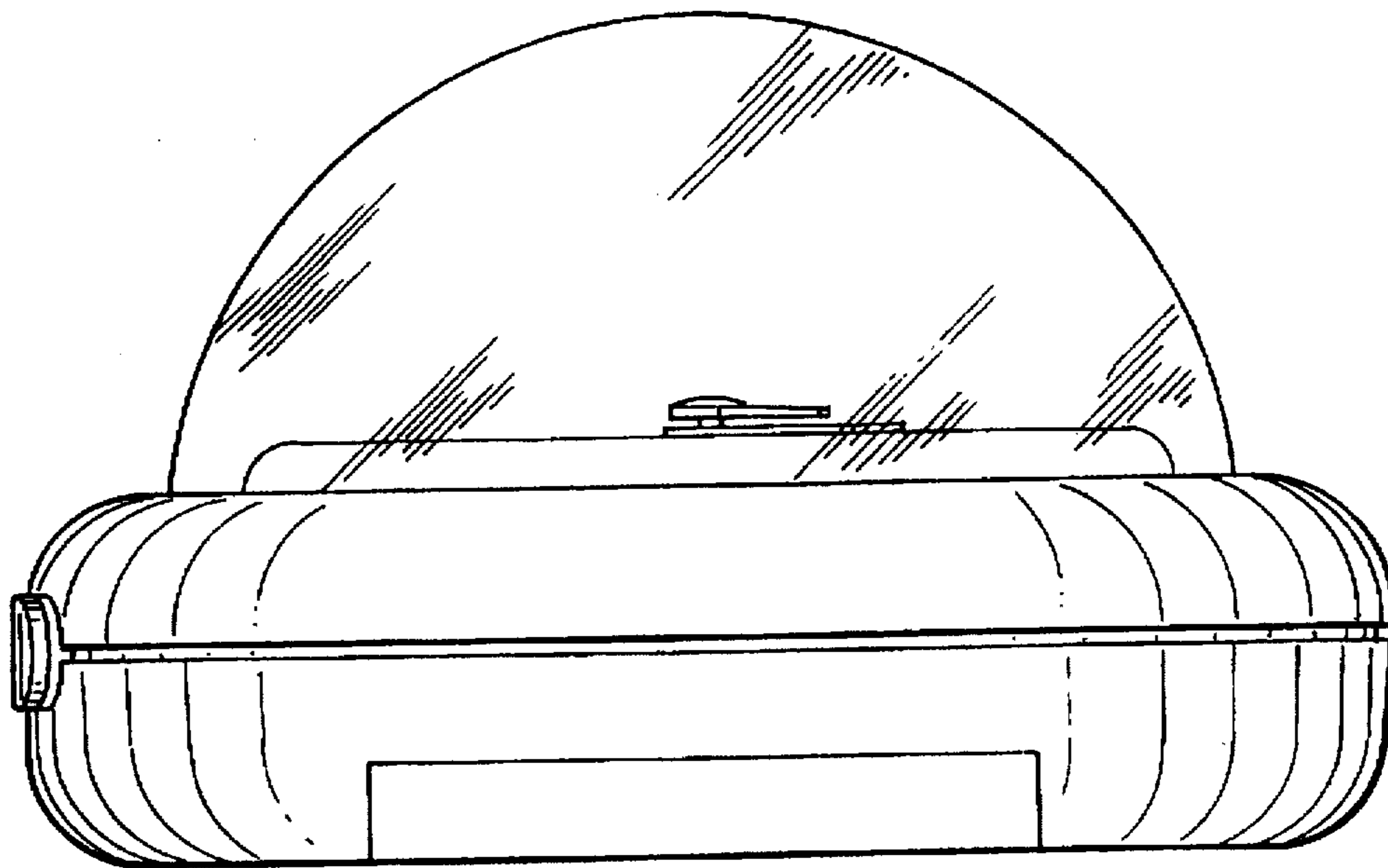


FIG.6

