



US00D392893S

# United States Patent [19]

[11] Patent Number: **Des. 392,893**

**Kuzma et al.**

[45] Date of Patent: **\*\*Mar. 31, 1998**

[54] **COMBINED BOTTLE AND CAP**

[75] Inventors: **Gene J. Kuzma; Douglas W. Weaver,**  
both of Columbus, Ohio

[73] Assignee: **GK Packaging,** Columbus, Ohio

[\*\*] Term: **14 Years**

[21] Appl. No.: **71,093**

[22] Filed: **May 20, 1997**

[51] LOC (6) Cl. .... **09-01**

[52] U.S. Cl. .... **D9/538; D9/559**

[58] Field of Search ..... **D9/538-541, 559,**  
**D9/556, 558, 545, 546, 500, 503, 505;**  
**215/382, 383, 384, 400**

[56] **References Cited**

**U.S. PATENT DOCUMENTS**

D. 223,019	2/1972	Strand	.....	D9/545
D. 242,987	1/1977	Weckman	.....	D9/556
D. 282,638	2/1986	Beaver et al.	.....	D9/556
D. 284,362	6/1986	Biesecker	.....	D9/500
D. 318,422	7/1991	Rumney	.....	D9/559
D. 366,620	1/1996	Kuzma et al.	.....	D9/542

*Primary Examiner*—Lucy Lieberman  
*Attorney, Agent, or Firm*—John L. Gray; Kegler, Brown,  
Hill & Ritter

[57] **CLAIM**

The ornamental design for a combined bottle and cap, as shown and described.

**DESCRIPTION**

FIG. 1 is a front elevation of a combined bottle and cap showing our new design;

FIG. 2 is a top plan view thereof;

FIG. 3 is a bottom plan view thereof;

FIG. 4 is a front elevation of a second embodiment of the combined bottle and cap, which is the same as the first embodiment except for the cap;

FIG. 5 is a top plan view thereof;

FIG. 6 is a bottom plan view thereof;

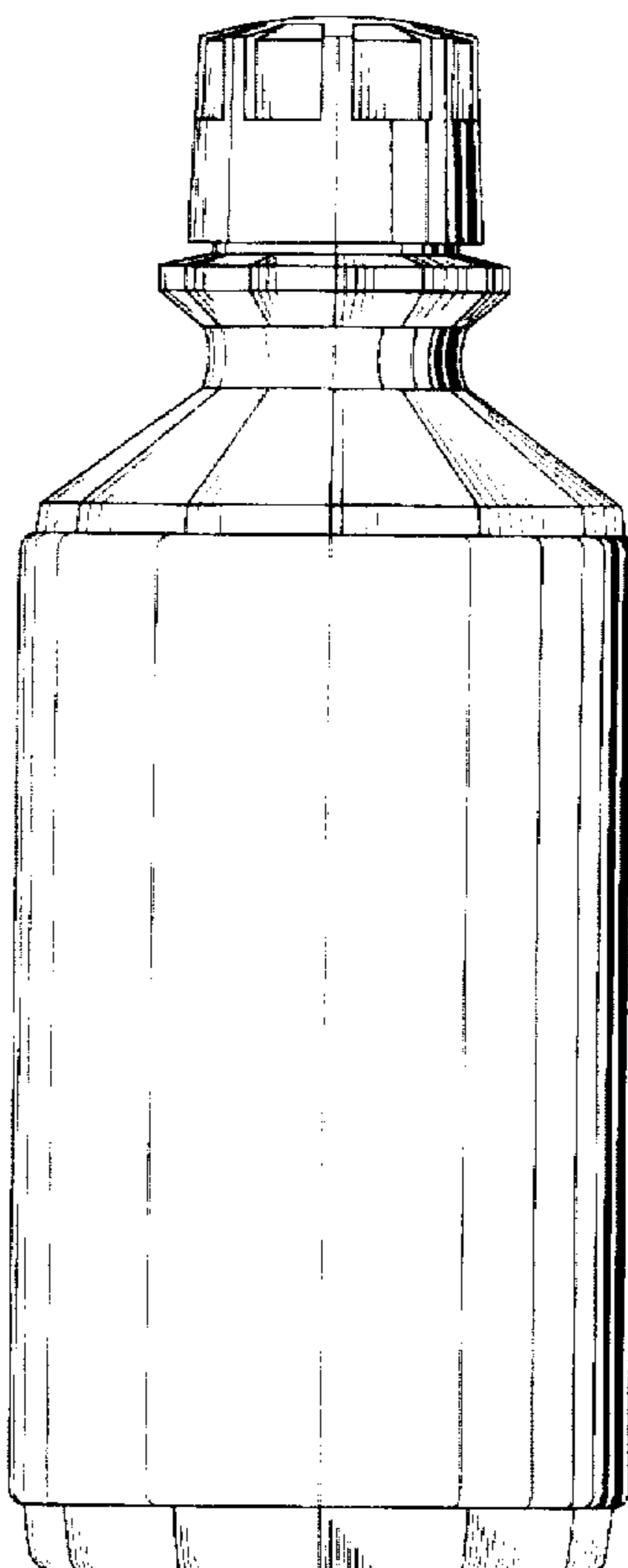
FIG. 7 is a front elevation of a third embodiment of the combined bottle and cap which is the same as the first two embodiments except for the cap;

FIG. 8 is a top plan view thereof; and,

FIG. 9 is a bottom plan view thereof.

The rear and side views of the three embodiments of the combined bottle and cap are the same as the front views shown in FIGS. 1, 4 and 7.

**1 Claim, 3 Drawing Sheets**



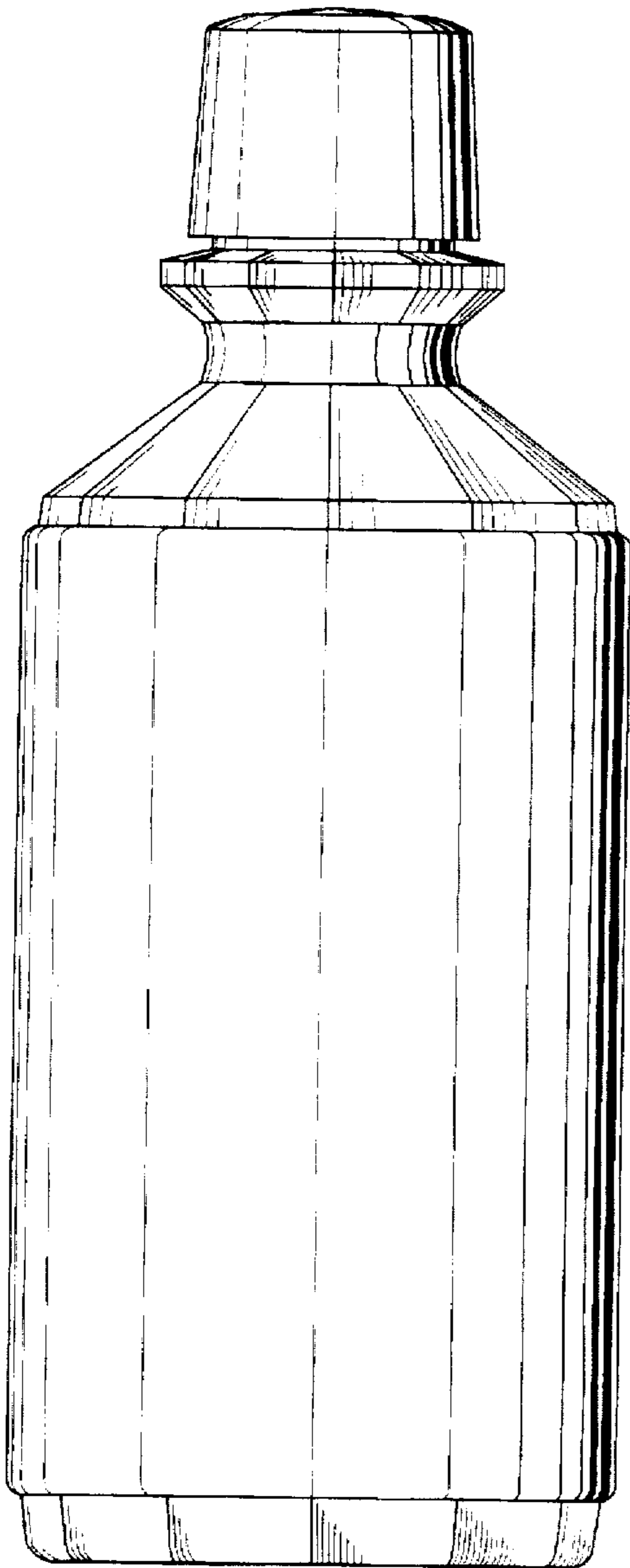


FIG. 1

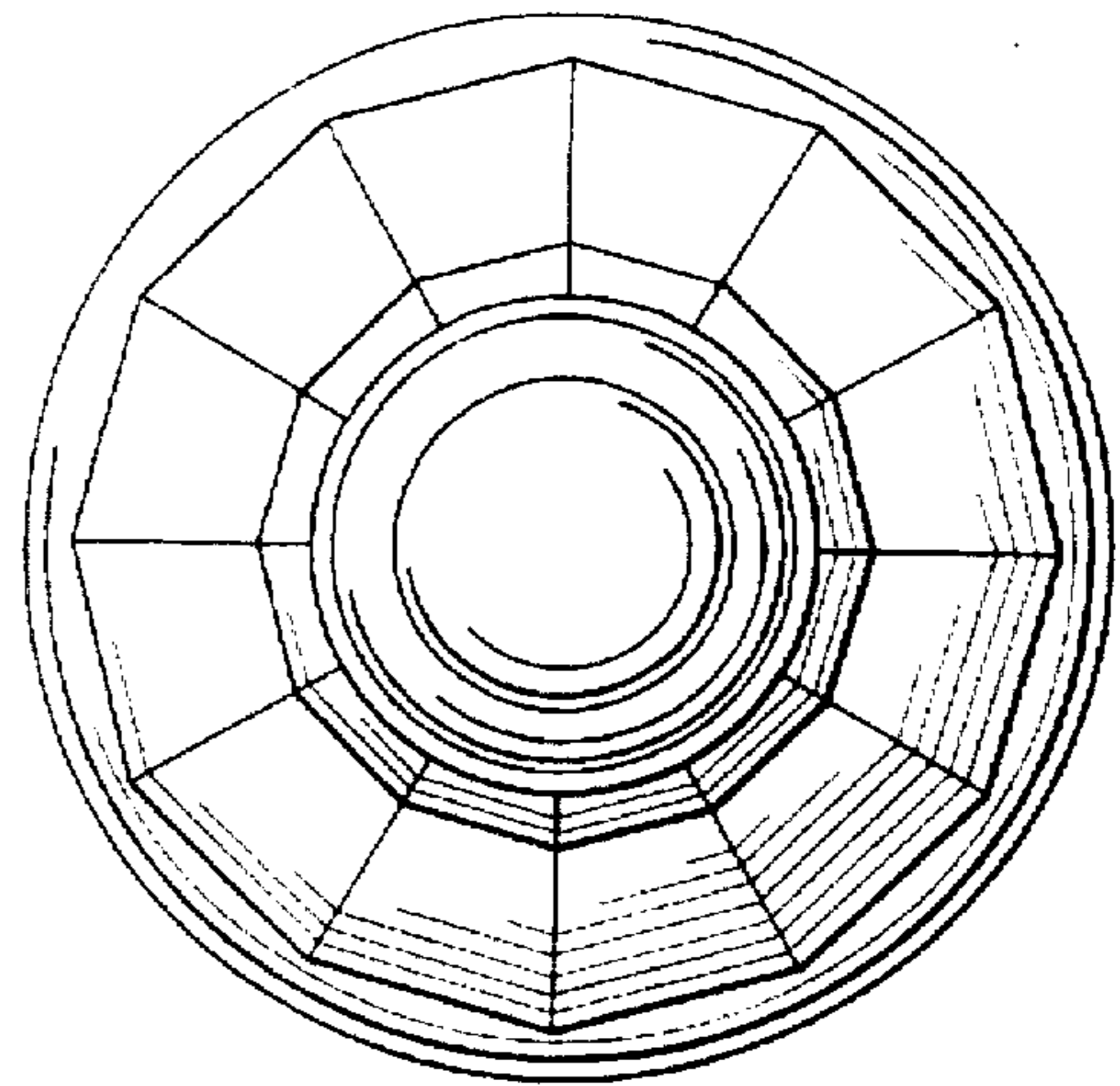


FIG. 2

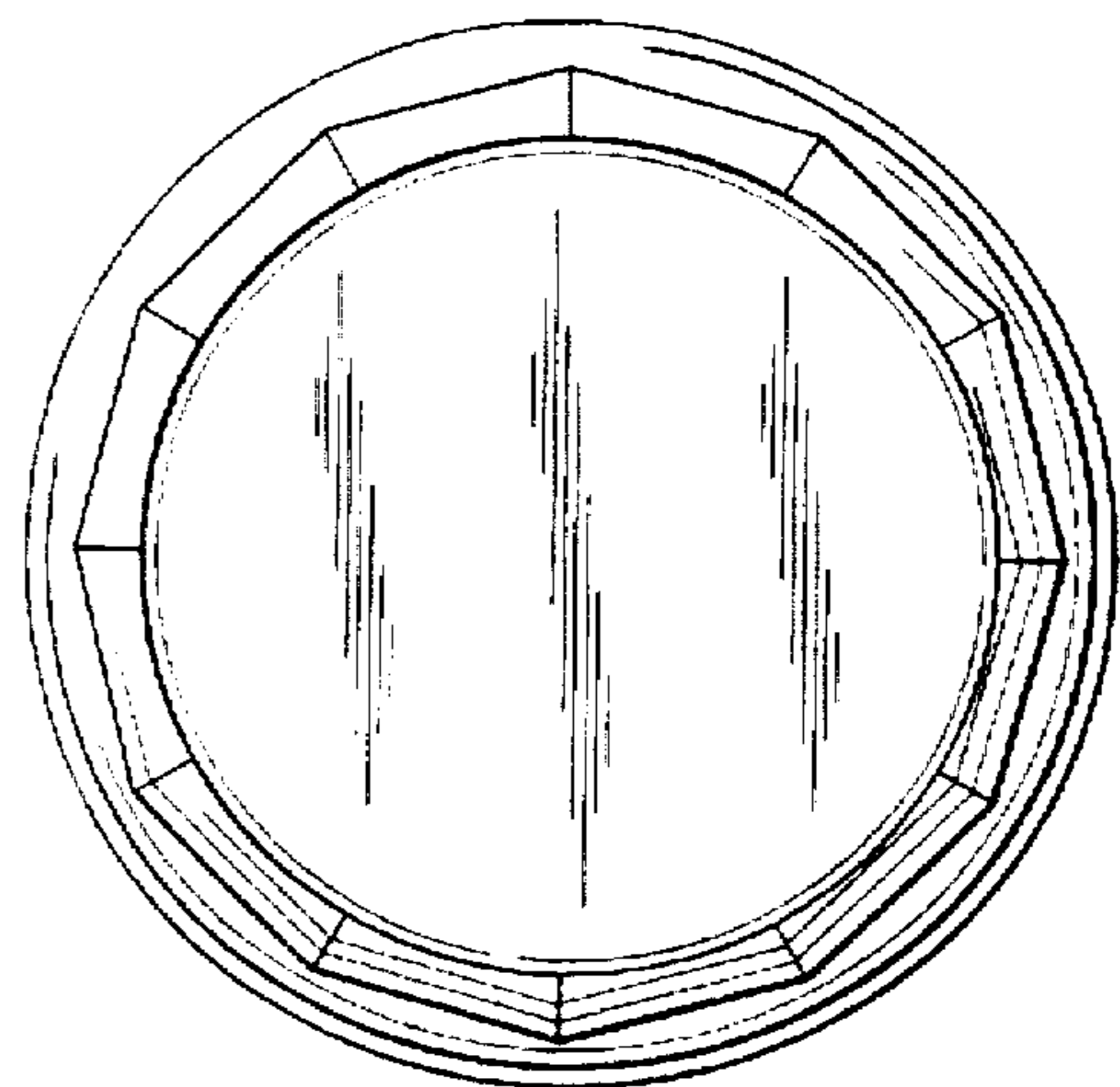


FIG. 3

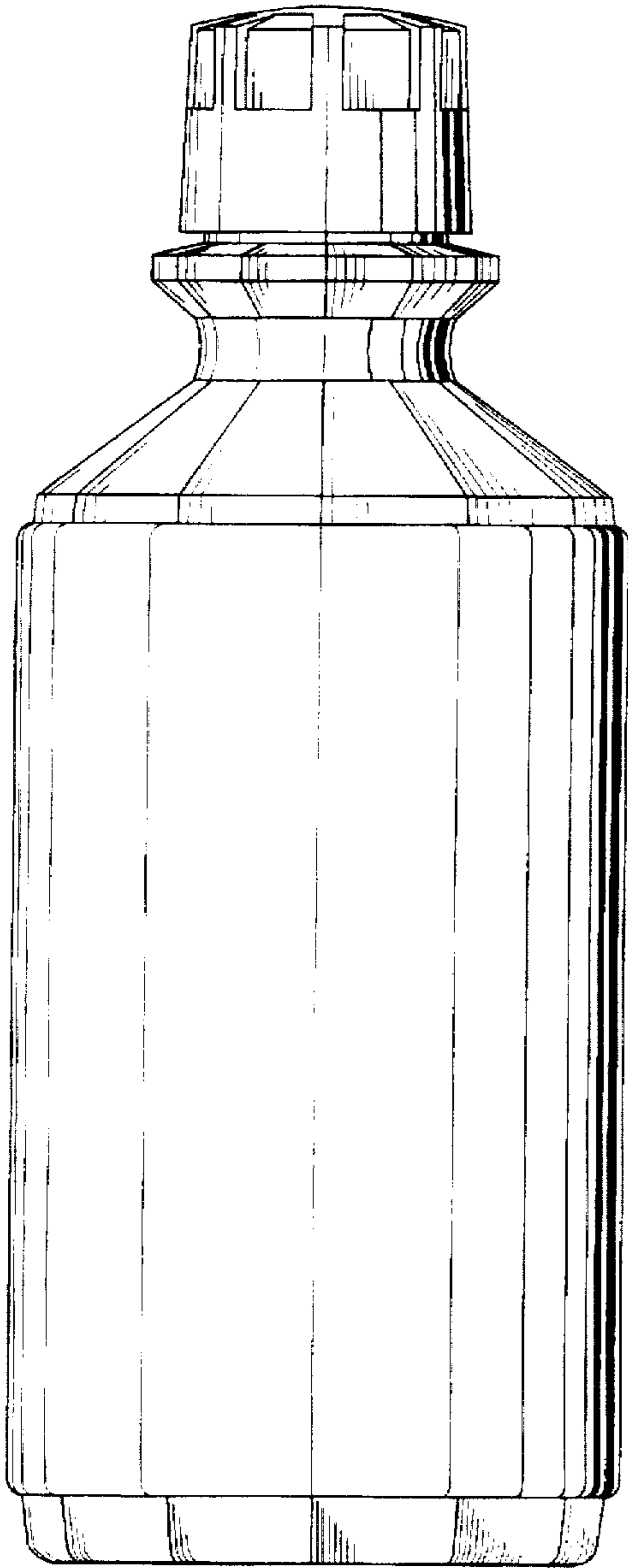


FIG. 4

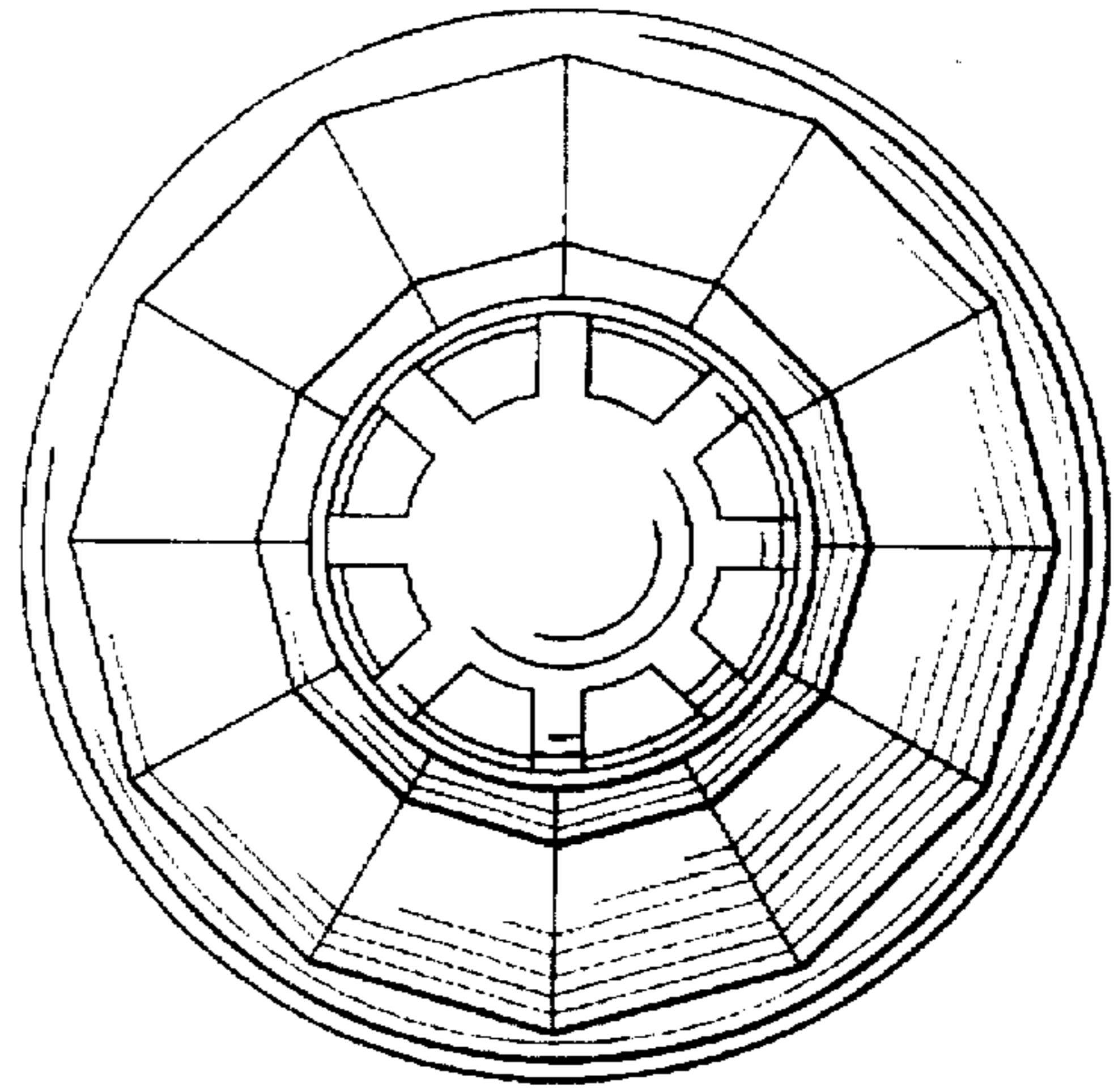


FIG. 5

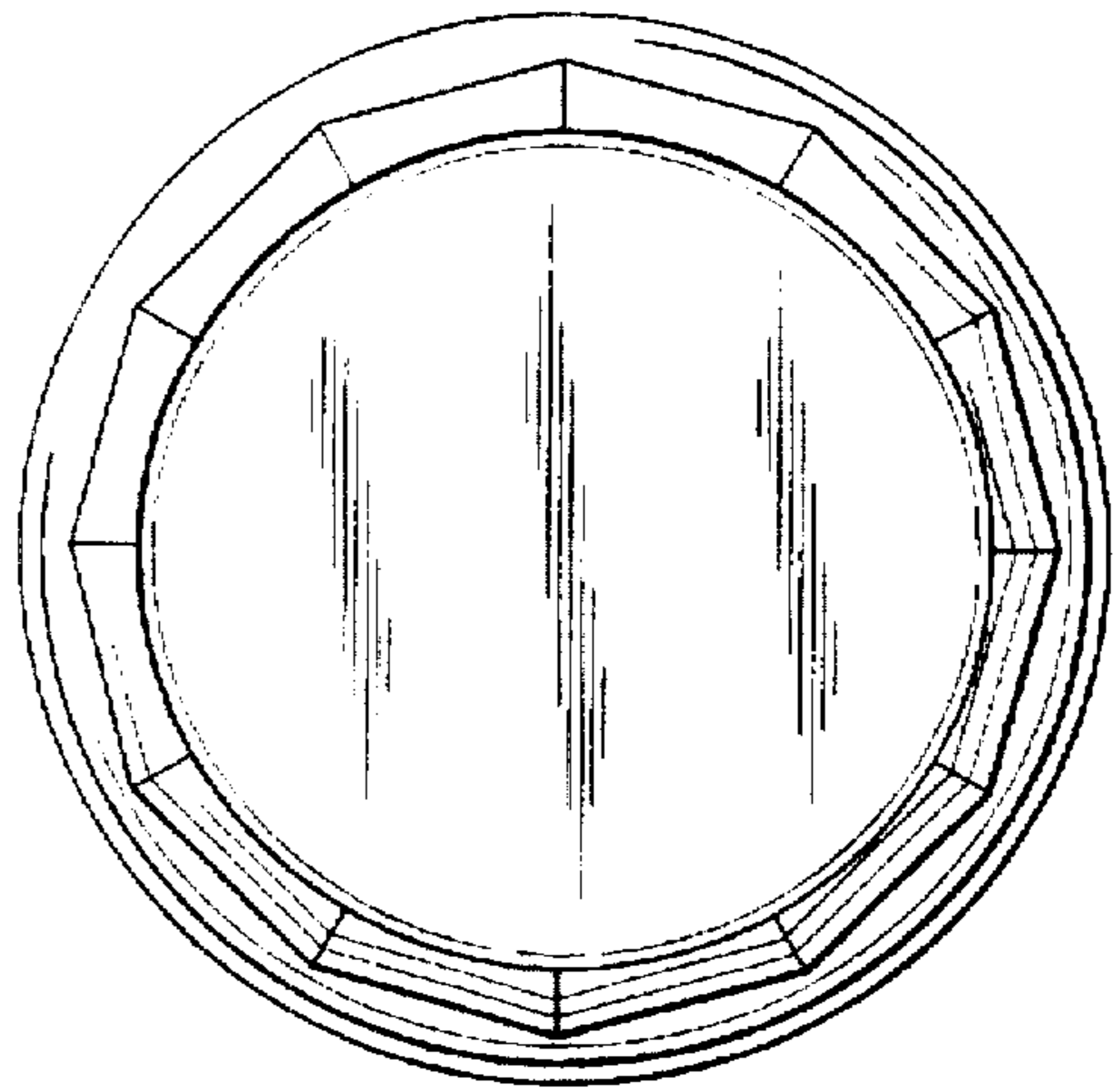


FIG. 6

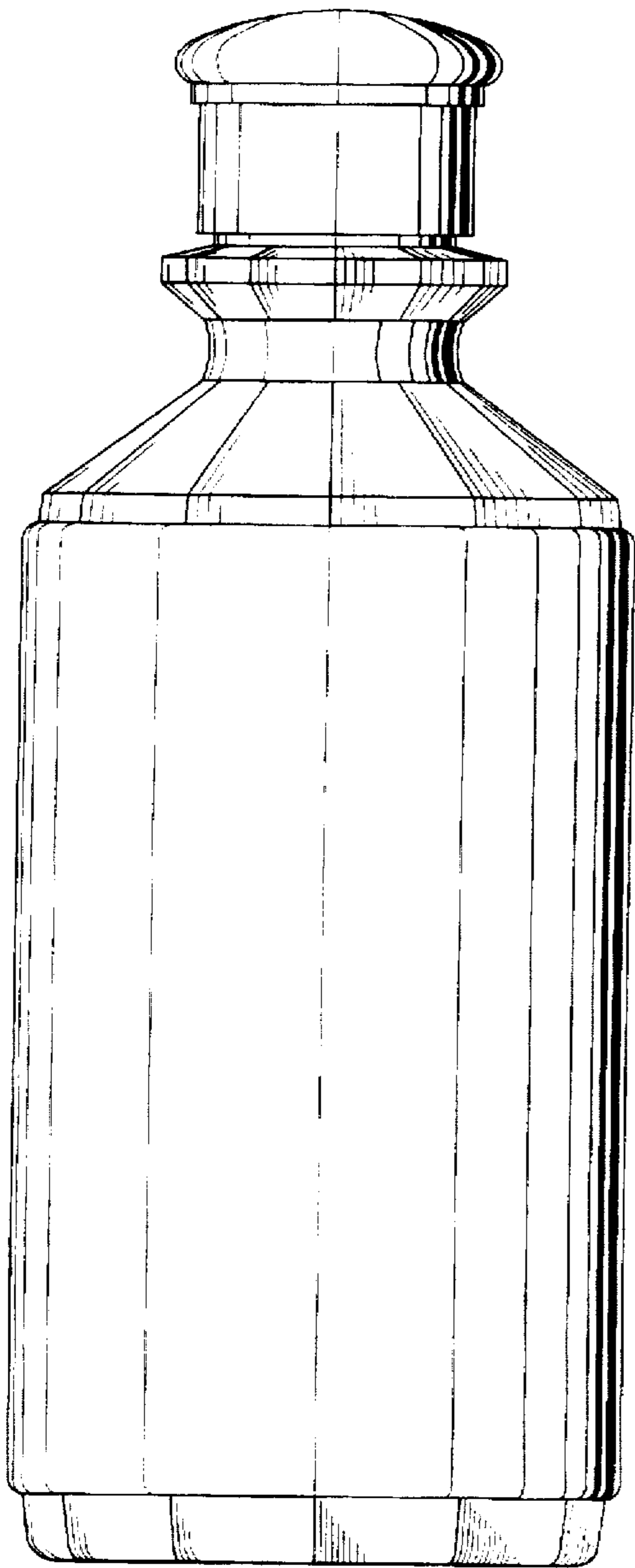


FIG. 7

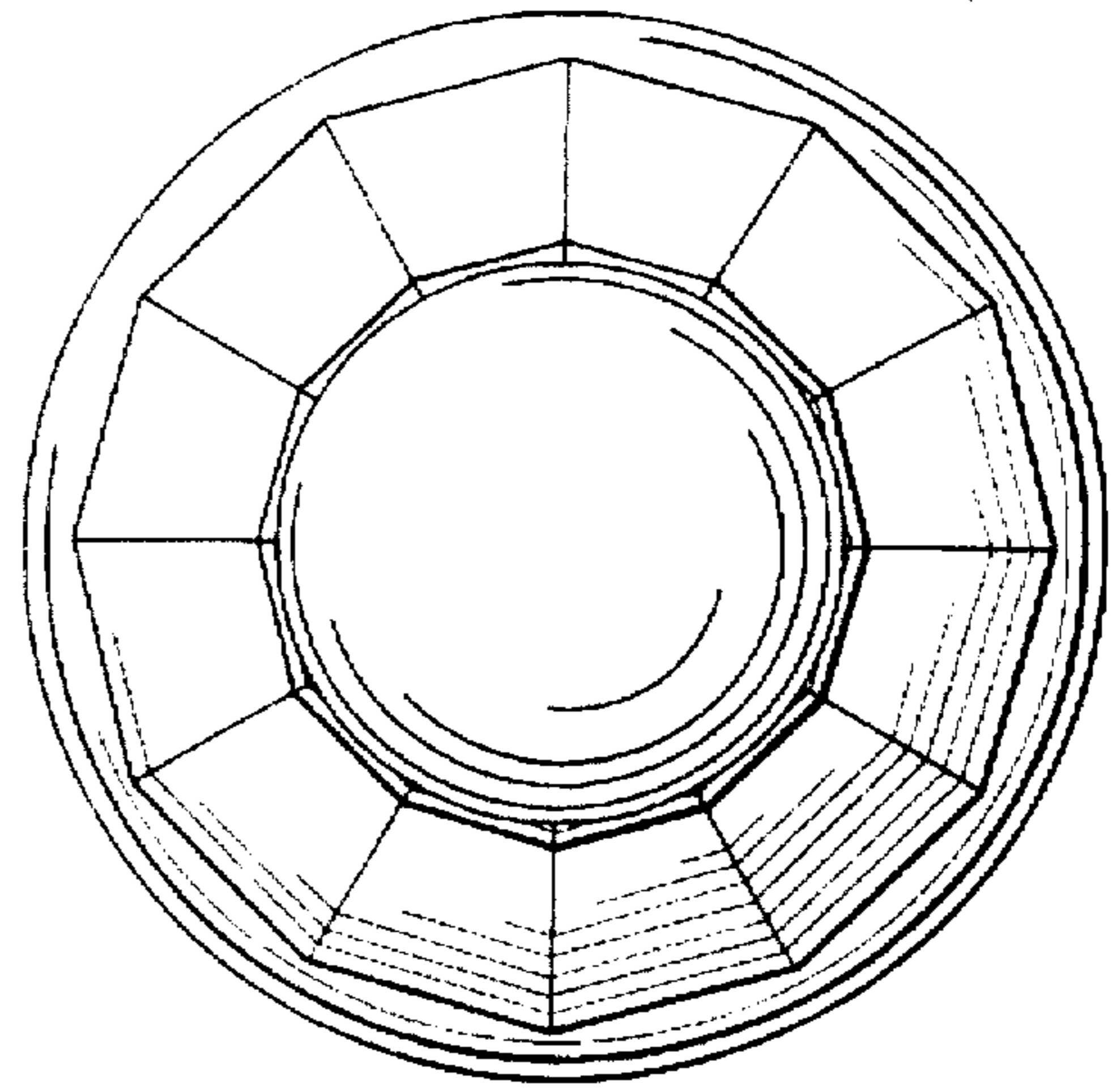


FIG. 8

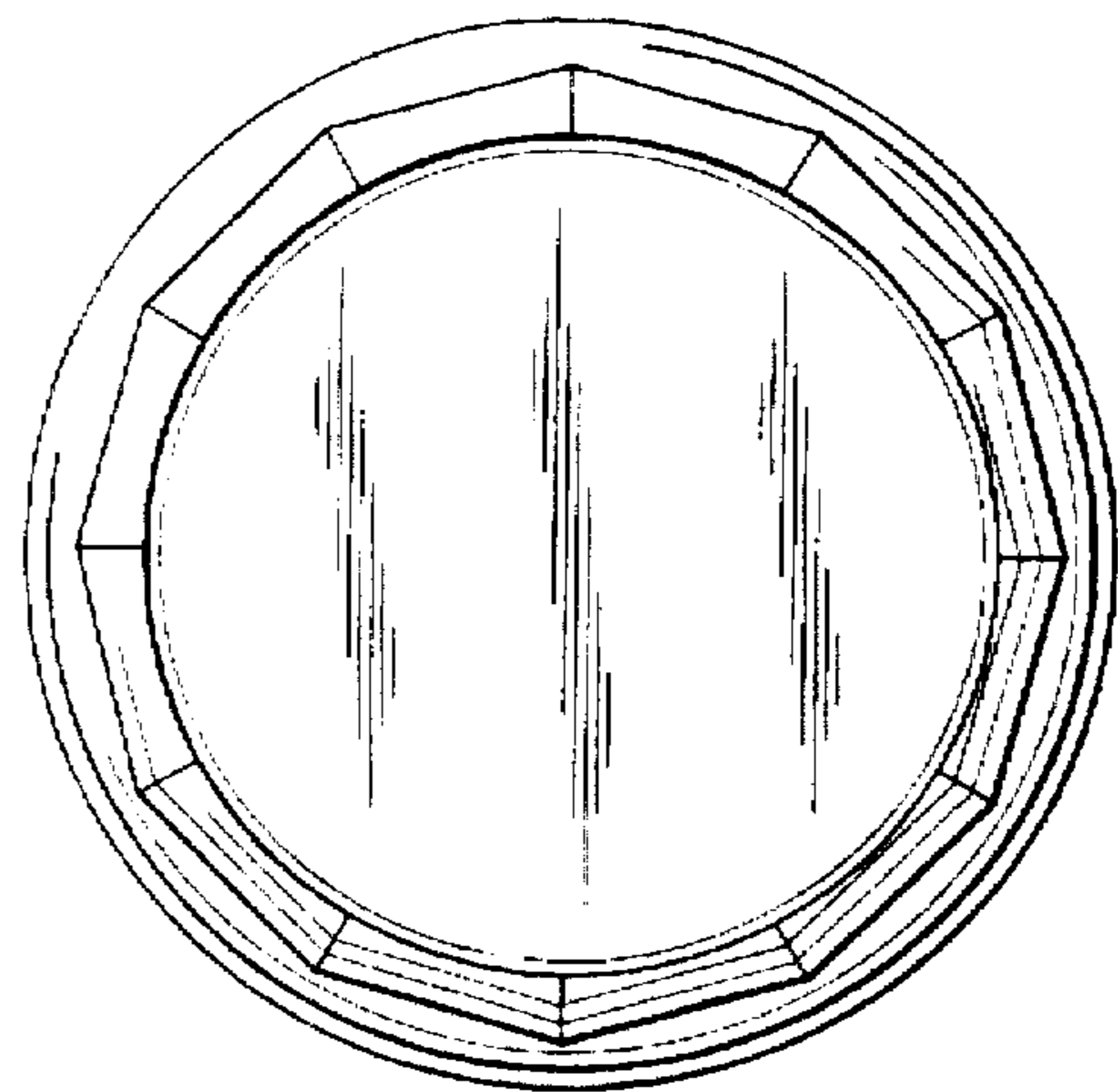


FIG. 9