

US00D392886S

United States Patent [19]

[11] Patent Number: **Des. 392,886**

Yanes

[45] Date of Patent: ****Mar. 31, 1998**

[54] **LIQUID CAN LID**

5,040,719 8/1991 Ballway 220/738
5,427,315 6/1995 Lipson 239/33

[76] Inventor: **Luis A. Yanes**, 21340 SW 102 Ct.,
Miami, Fla. 33176

Primary Examiner—Jeffrey Asch
Assistant Examiner—Cathron B. Matta

[**] Term: **14 Years**

[57] **CLAIM**

[21] Appl. No.: **67,238**

The ornamental design for a liquid can lid, as shown.

[22] Filed: **Feb. 28, 1997**

DESCRIPTION

[51] LOC (6) Cl. **09-07**

FIG. 1 is a front elevational view of the liquid can lid of the present invention;

[52] U.S. Cl. **D9/436**

FIG. 2 is a back elevational view of the liquid can lid of FIG. 1;

[58] Field of Search D9/434-436, 444,
D9/445, 447, 454, 499; 215/200, 228, 229,
387, 388, 389; 220/200, 703, 705-710,
522, 738; D7/510, 511, 300.2; 239/33

FIG. 3 is a top side plan view of the liquid can lid of FIG. 1;

FIG. 4 is a bottom side plan view of the liquid can lid of FIG. 1;

[56] **References Cited**

U.S. PATENT DOCUMENTS

D. 367,818	3/1996	Zana	D9/454
3,385,470	5/1968	Dorosz	D9/454 X
3,410,436	11/1968	Foss et al.	D9/435
4,074,827	2/1978	Labe, III	220/522
4,095,710	6/1978	Tomiatu	220/708

FIG. 5 is a cross sectional view along line 5—5 of FIG. 3 of the liquid can lid of FIG. 1; and

FIG. 6 is a top front perspective view of the liquid can lid of FIG. 1.

1 Claim, 3 Drawing Sheets

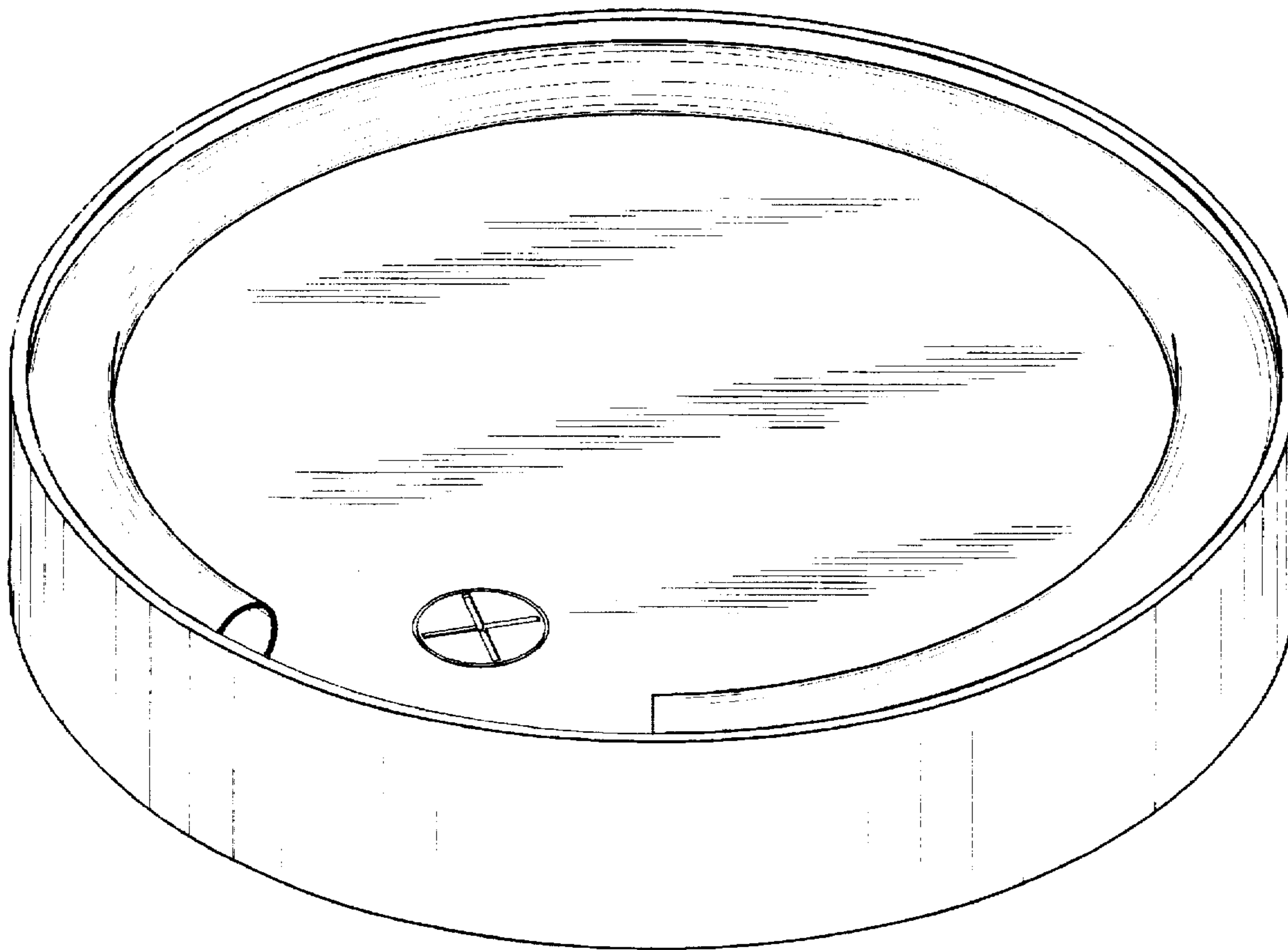


FIG. 1

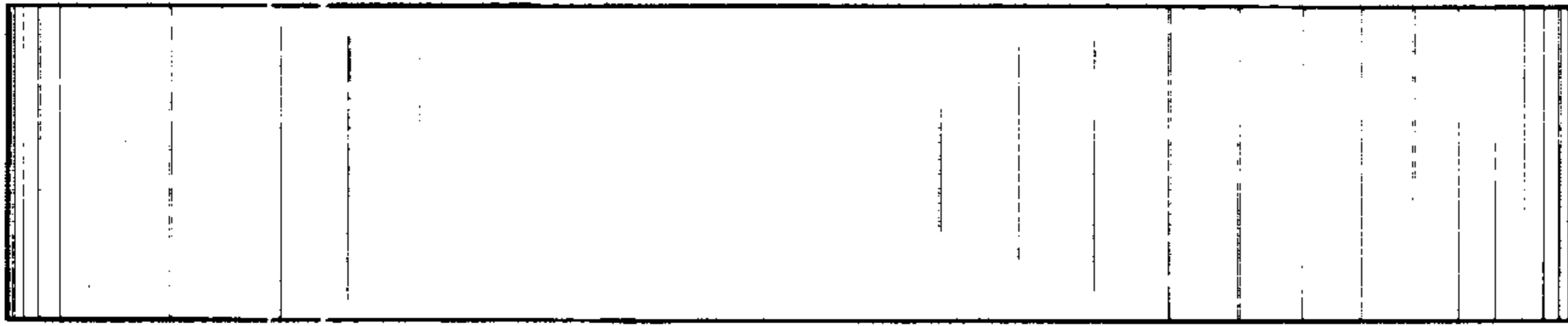


FIG. 2

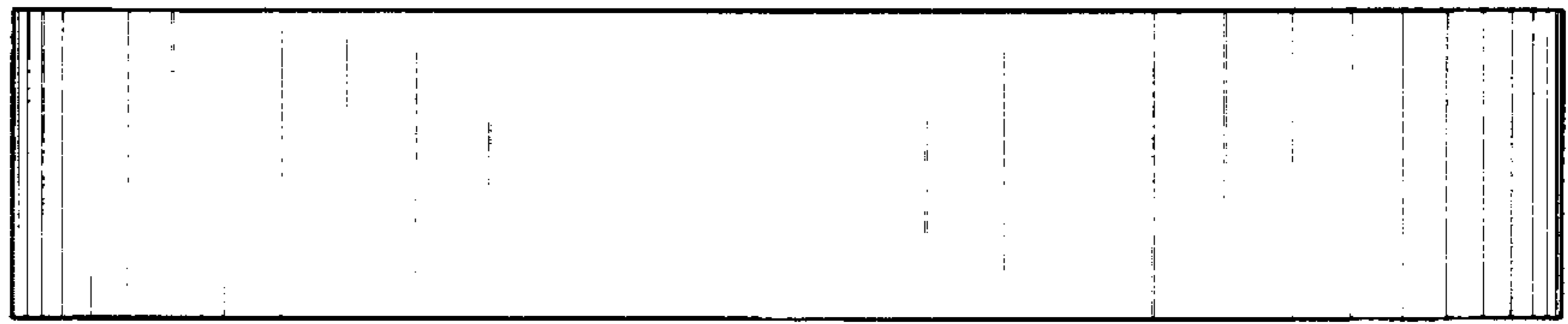


FIG. 3

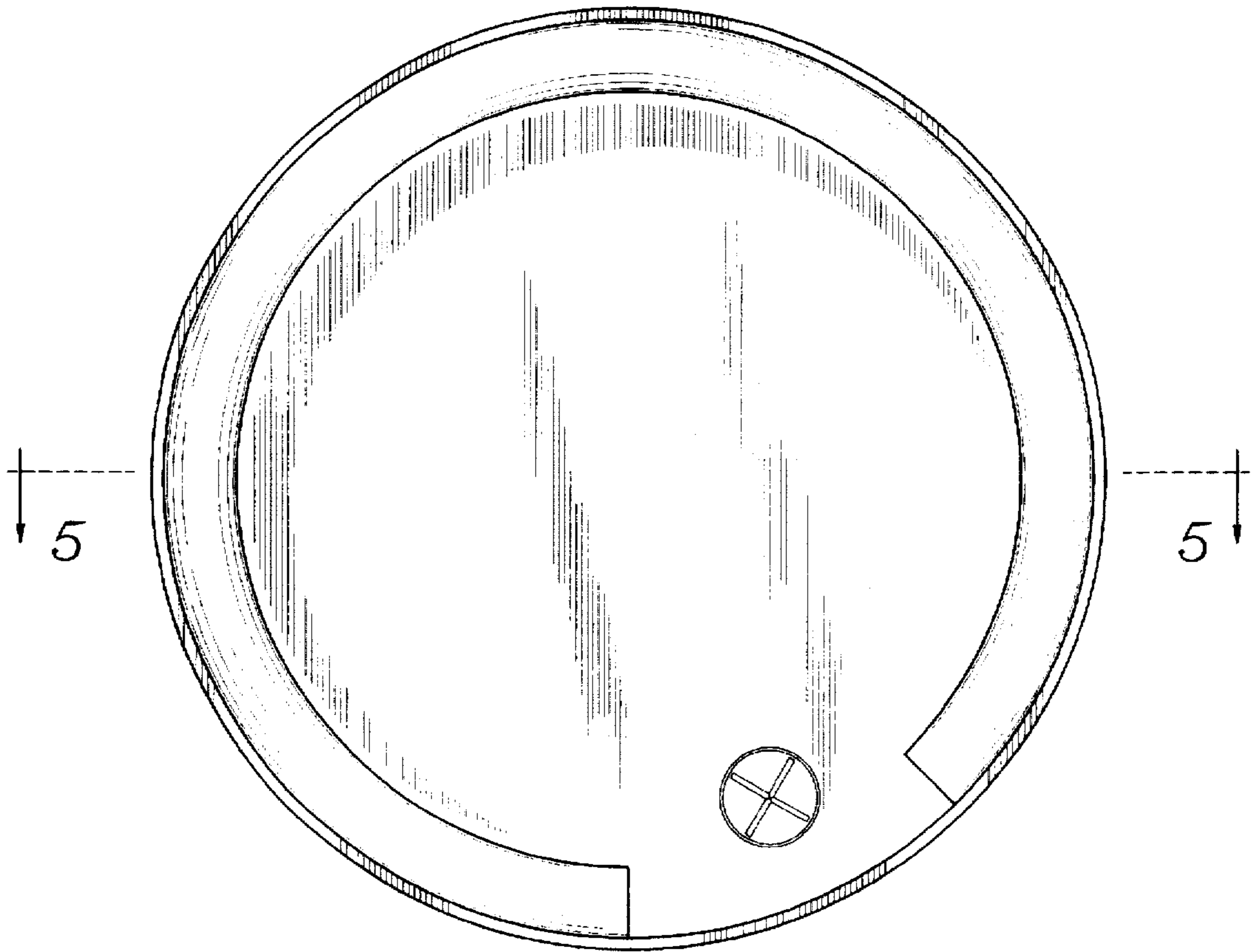


FIG. 4

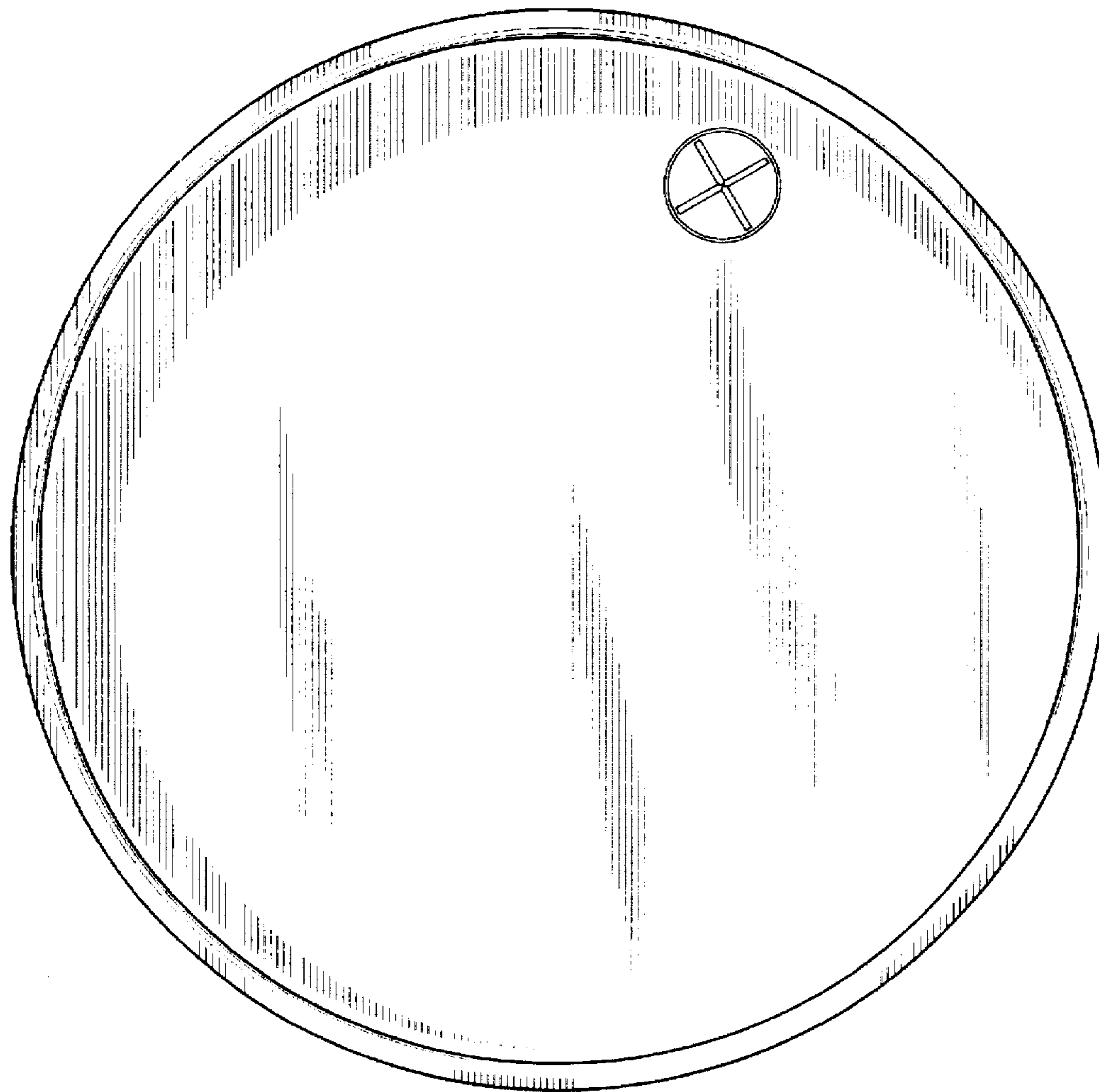


FIG. 5

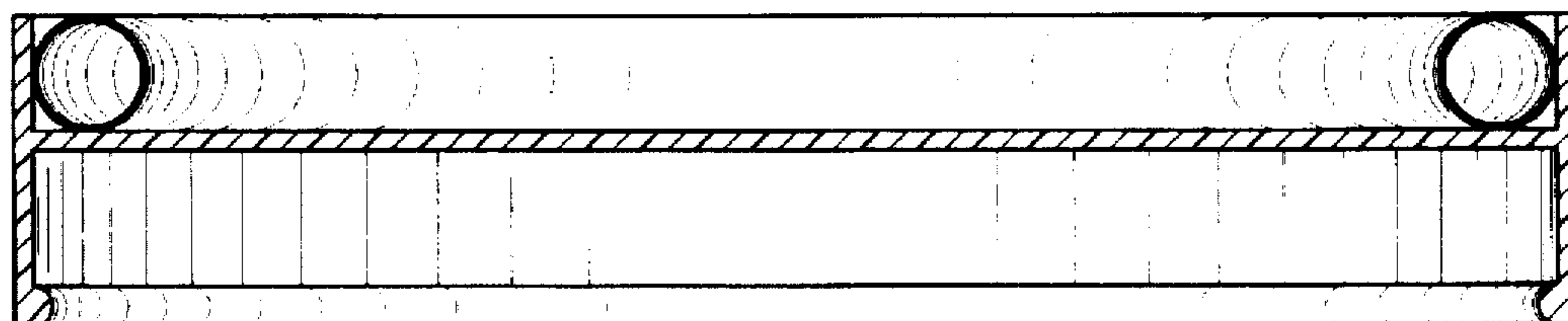


FIG. 6

