



US00D392882S

# United States Patent [19]

**Pfirschmann, Jr. et al.**

[11] **Patent Number: Des. 392,882**

[45] **Date of Patent: \*\*Mar. 31, 1998**

[54] **COMPARTMENTAL CONTAINER**

[75] **Inventors: F. Joseph Pfirschmann, Jr., Covington, Ky.; Jeffery L. Kalebain, Cincinnati, Ohio; Thomas A. Messina, Edgewood, Ky.**

[73] **Assignee: Boston Chicken, Inc., Golden, Colo.**

[\*\*] **Term: 14 Years**

[21] **Appl. No.: 54,582**

[22] **Filed: May 15, 1996**

[51] **LOC (6) Cl. .... 09-07**

[52] **U.S. Cl. .... D9/428; D9/425; D9/341; D9/347**

[58] **Field of Search .... D9/420-425, 418, D9/415, 341, 347; 206/769, 770, 541, 538, 539, 521, 523; 220/555, 556, 557, 575, 4.22, 4.23, 4.25, 376, 377, 662**

[56] **References Cited**

**U.S. PATENT DOCUMENTS**

D. 309,105	7/1990	Fisher et al. ....	D9/425
D. 348,392	7/1994	Tannen ....	D9/415
D. 375,259	11/1996	Whitehead ....	D9/420 X
2,096,825	10/1937	Roman ....	206/47
2,641,912	6/1953	Lawler ....	65/59
3,001,665	9/1961	Tomarin ....	220/4

3,107,027	10/1963	Hong .....	220/23.8
3,595,425	7/1971	Eicholtz et al. ....	220/20
3,633,785	1/1972	Cyr et al. ....	220/20
3,708,086	1/1973	Colato .....	220/20
3,754,640	8/1973	Bridges .....	206/4
3,773,212	11/1973	Sekuler .....	220/556 X
3,799,386	3/1974	Madalin et al. ....	220/16
3,938,688	2/1976	Ryan .....	220/23.8
4,660,716	4/1987	McMahon et al. ....	206/216
5,094,355	3/1992	Clark et al. ....	220/4.22 X
5,236,119	8/1993	Chu .....	220/555 X
5,353,985	10/1994	Nageli et al. ....	220/524 X

*Primary Examiner—Prabhakar G. Desmukh  
Attorney, Agent, or Firm—Rudnick & Wolfe*

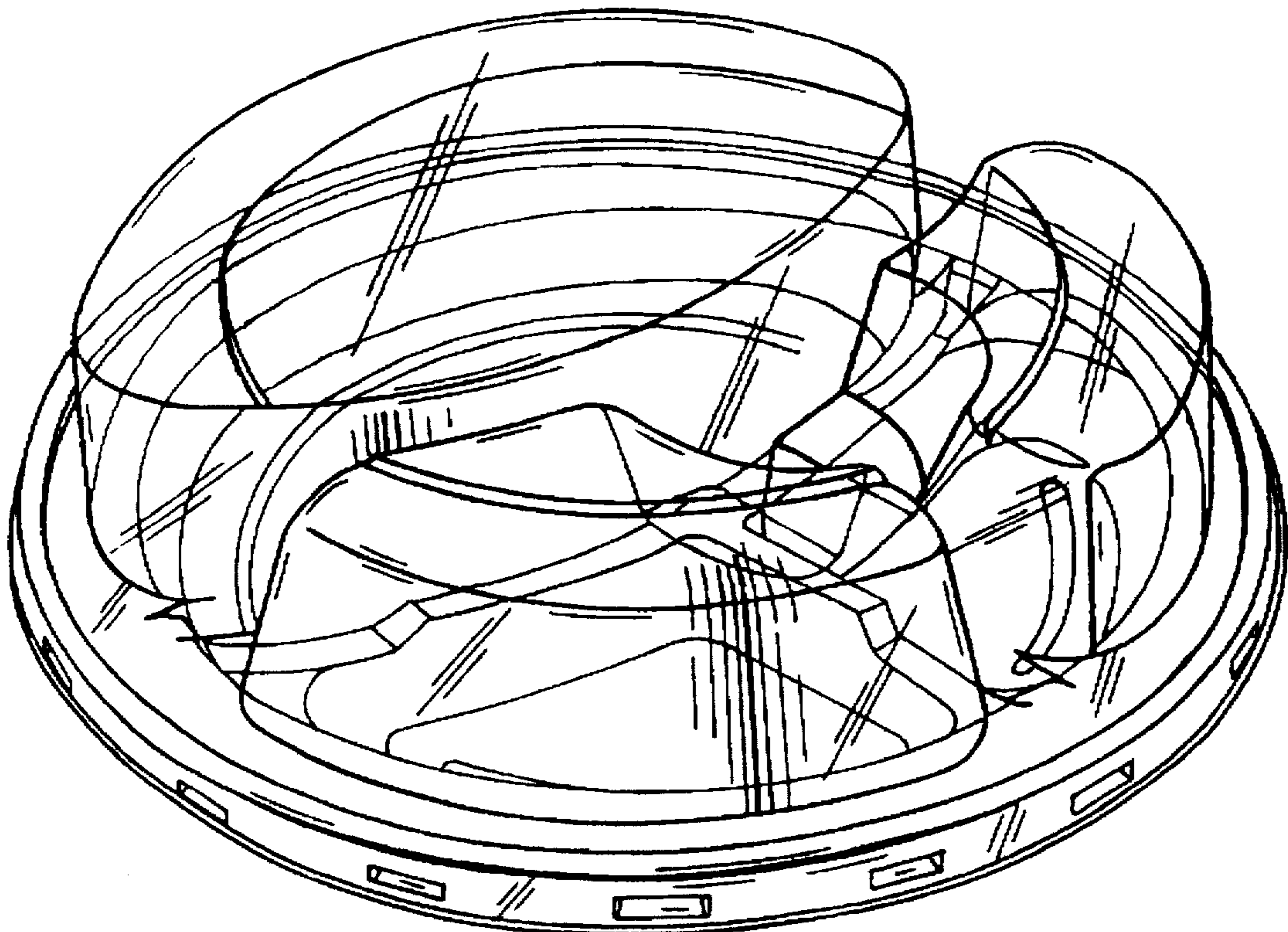
[57] **CLAIM**

The ornamental design for a compartmental container, as shown and described.

**DESCRIPTION**

FIG. 1 is a top front perspective view of a compartmental container showing our new design;  
 FIG. 2 is a front elevational view thereof;  
 FIG. 3 is a right side elevational view thereof; the left side being a mirror image of the right side;  
 FIG. 4 is a rear elevational view thereof;  
 FIG. 5 is a top plan view thereof; and,  
 FIG. 6 is a bottom plan view thereof.

**1 Claim, 2 Drawing Sheets**



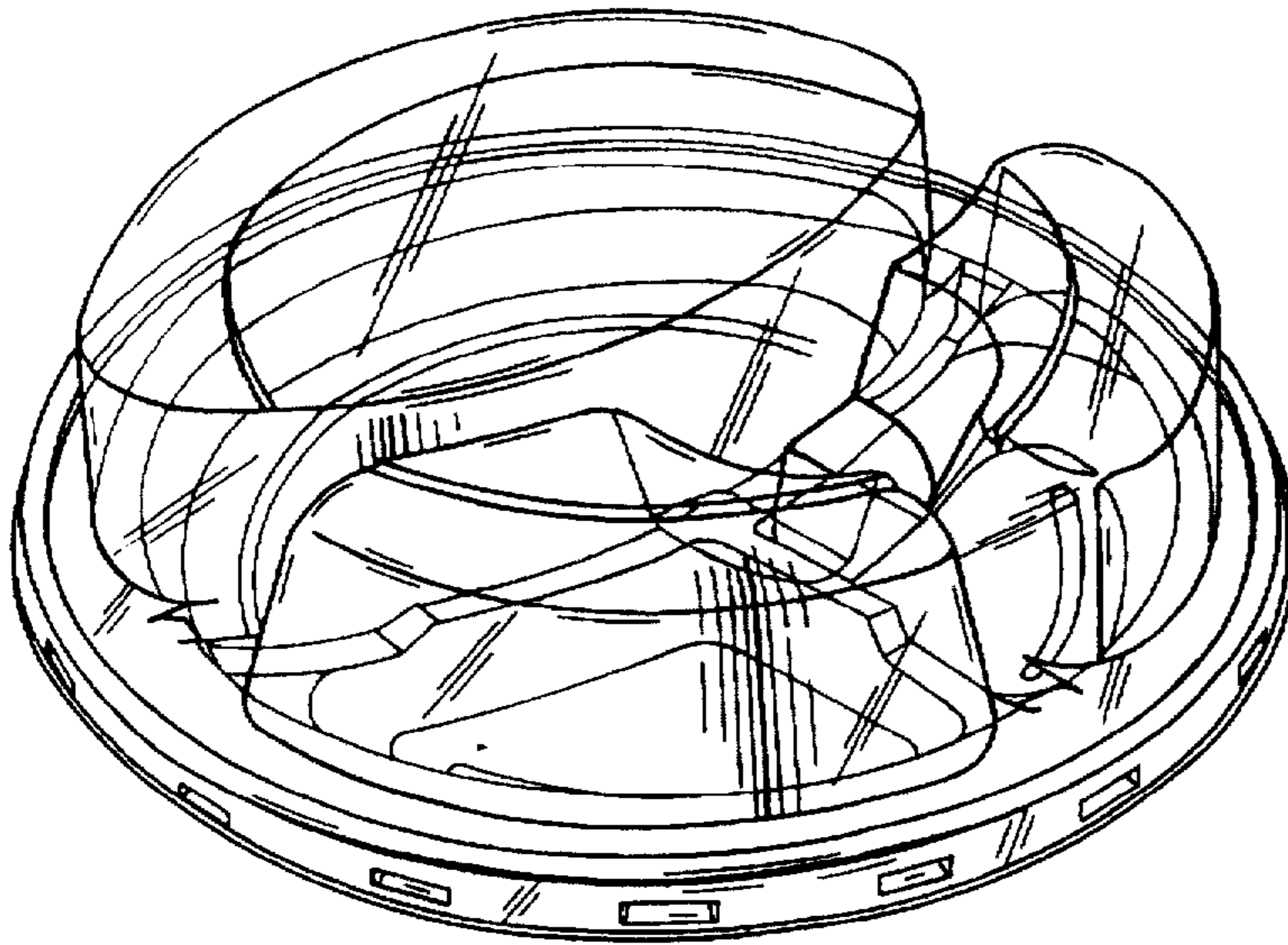


FIG. 1

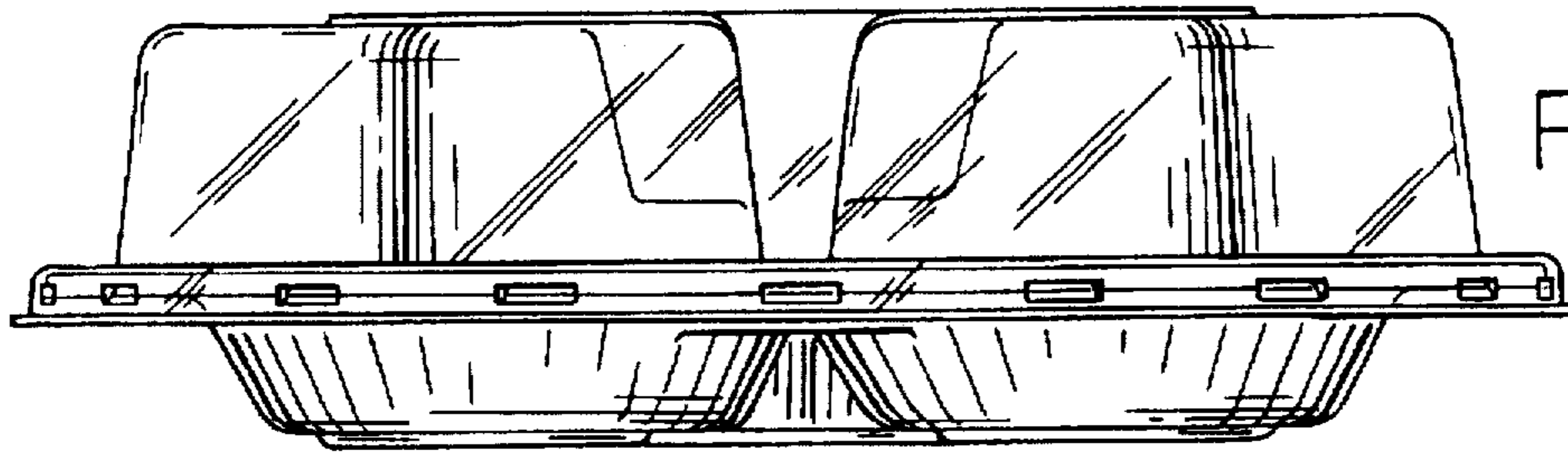


FIG. 2

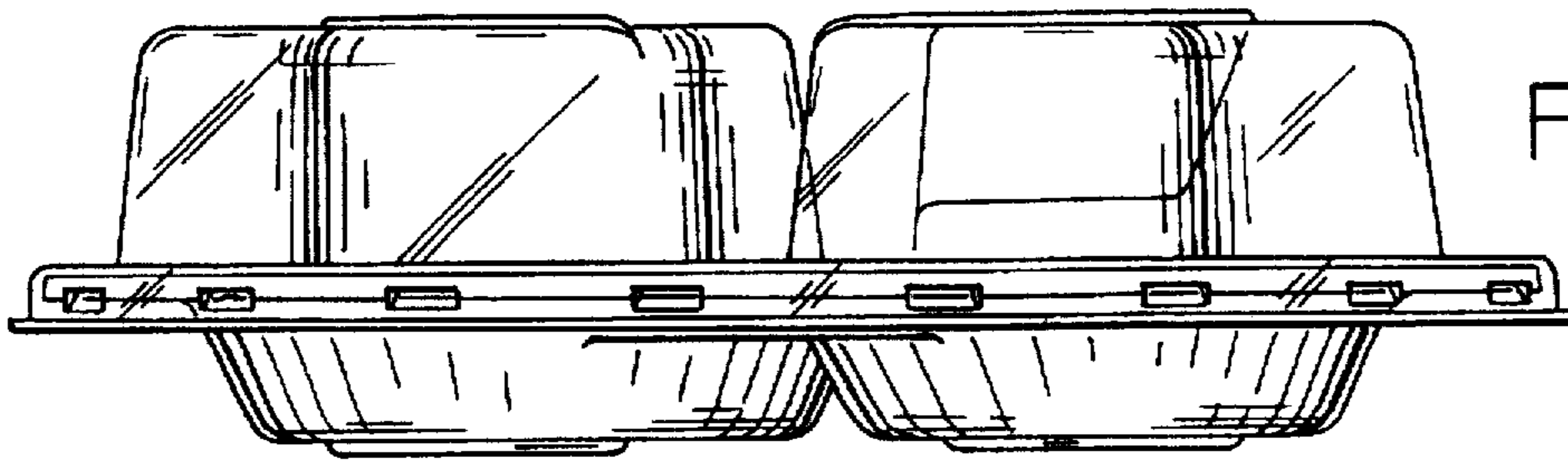


FIG. 3

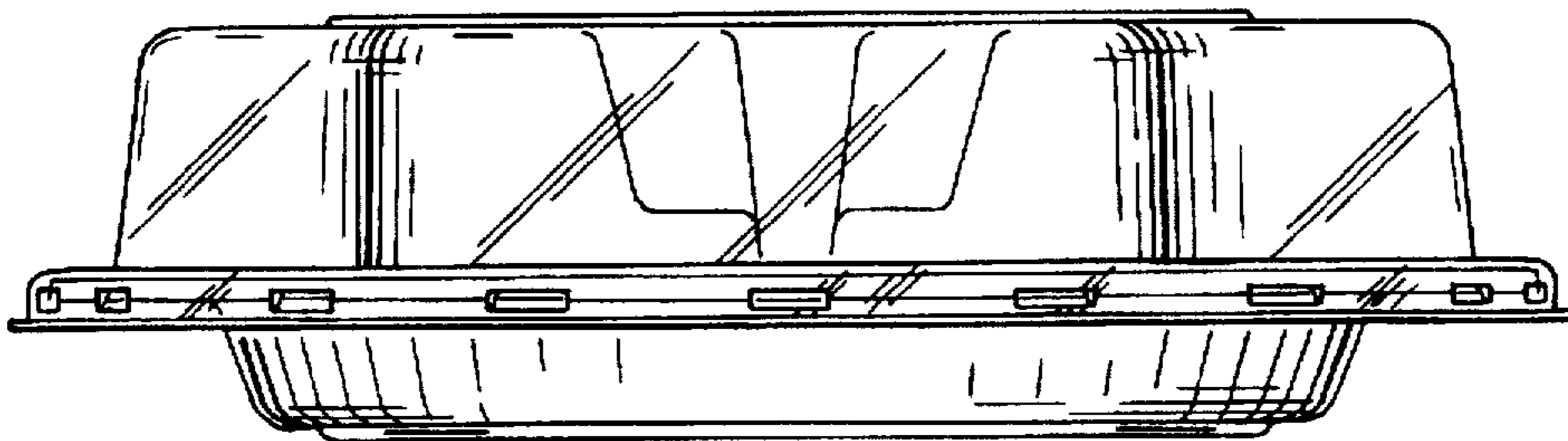


FIG. 4

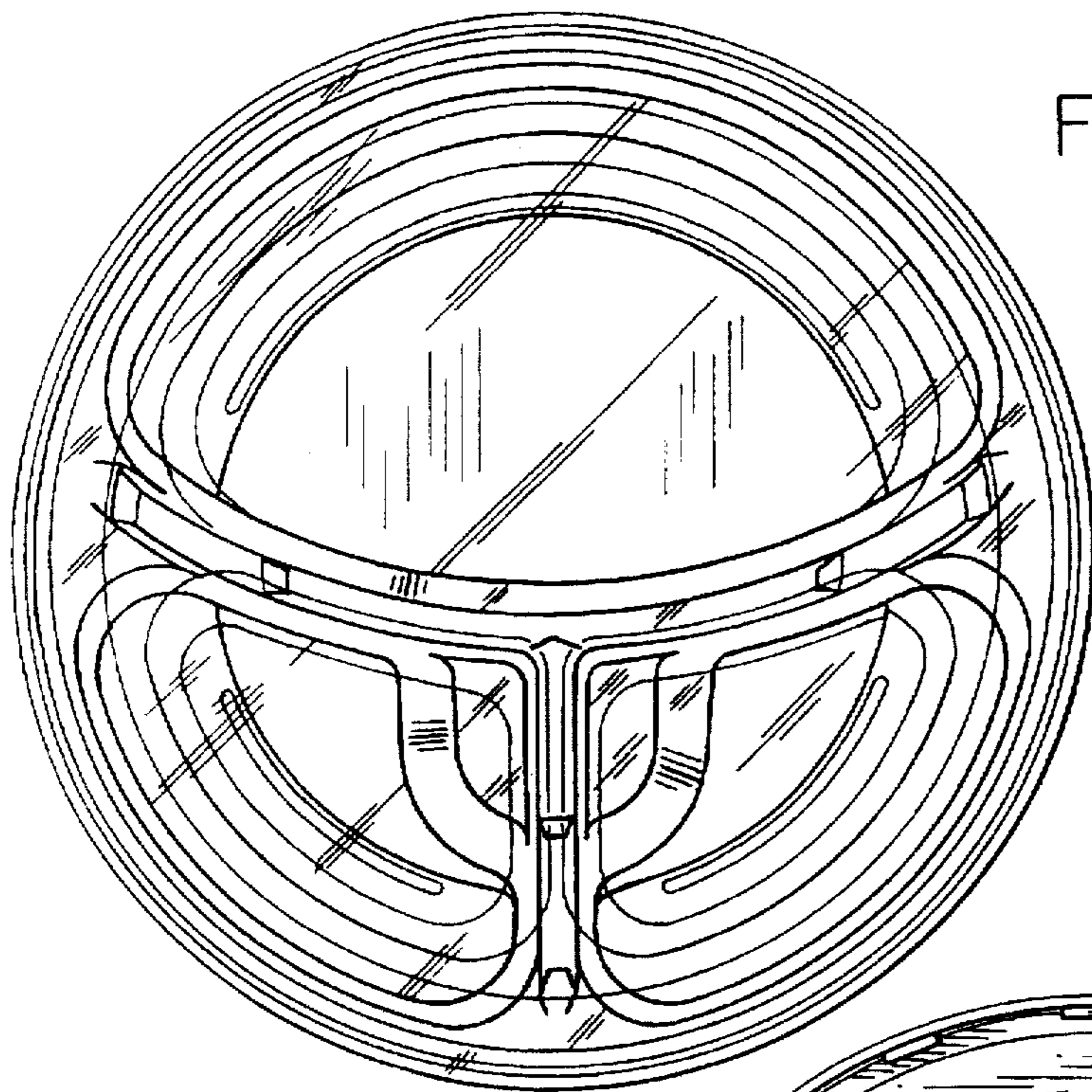


FIG. 5

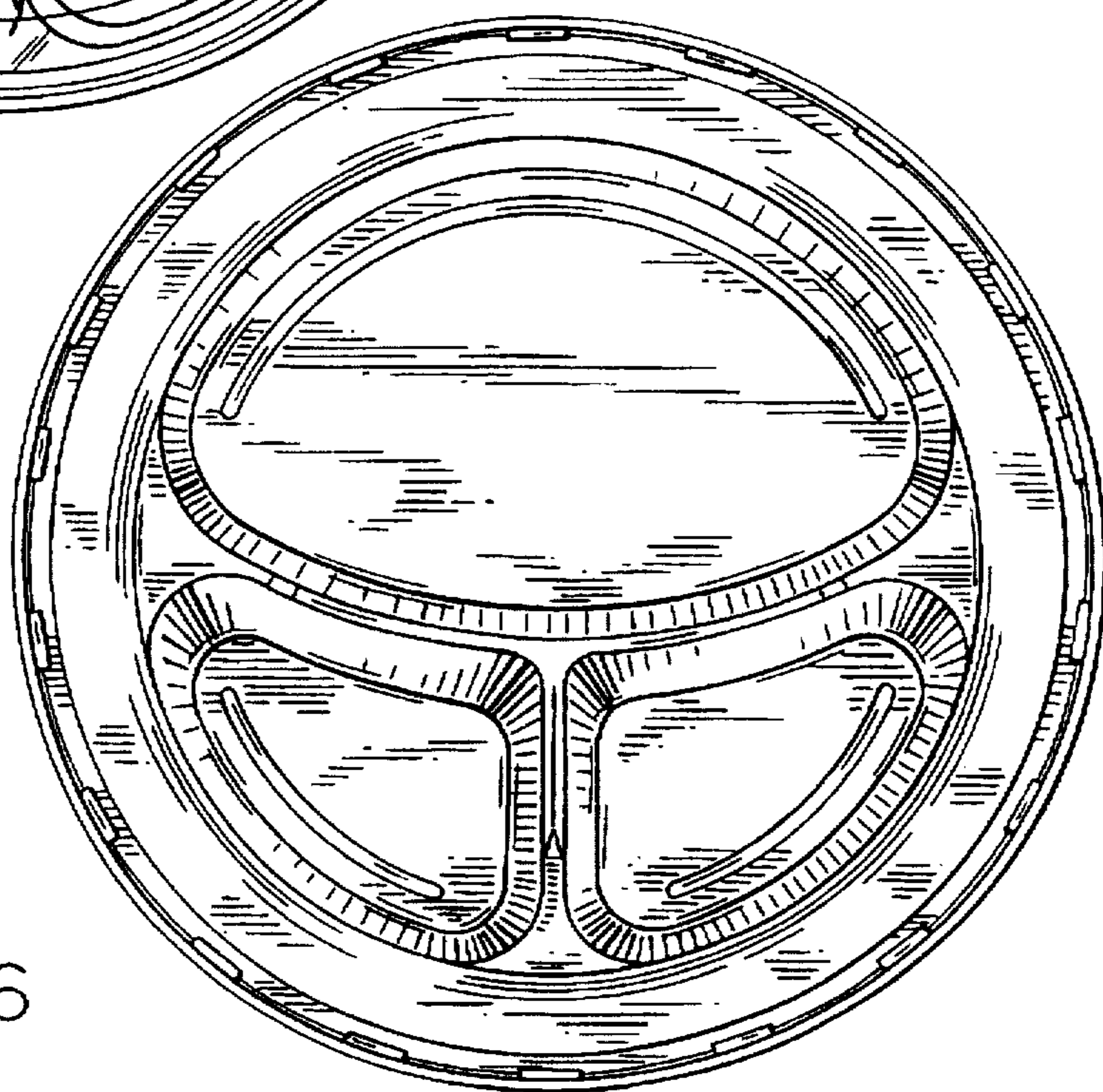


FIG. 6