



US00D392881S

United States Patent [19]

Bulcher et al.

[11] Patent Number: **Des. 392,881**

[45] Date of Patent: ****Mar. 31, 1998**

[54] **FOOD CONTAINER**

5,004,121 4/1991 Howe 229/407 X
5,423,453 6/1995 Fritz 220/608

[75] Inventors: **David J. Bulcher, Powell; Allen Hartings, Hilliard, both of Ohio**

OTHER PUBLICATIONS

[73] Assignee: **Tenneco Packaging Inc., Evanston, Ill.**

Packaging, Feb. 1988, p. 78.
Rubbermaid, Jun. 1985.
E RCO Products, Sep. 1978.
House Furnishings, Mar. 1987, p. 114.
Sample of Plastic Tray, Tenneco Packaging, sold to public before Aug., 1995.

[**] Term: **14 Years**

Primary Examiner—Prabhakar G. Deshmukh
Attorney, Agent, or Firm—Arnold, White & Durkee

[21] Appl. No.: **59,022**

[22] Filed: **Aug. 30, 1996**

[51] LOC (6) CL **09-07**

[52] U.S. Cl. **D9/425; D7/641; D7/602**

[58] Field of Search **D9/341, 345, 347, D9/425, 424, 429, 456; D7/550, 553, 554, 601, 602, 354, 360; 206/557, 558; 229/406, 407; 220/528, 553, 556, 669, 670, 675, 912; 426/106, 114, 129, 130; D3/304**

[57] CLAIM

The ornamental design for a food container, as shown and described.

DESCRIPTION

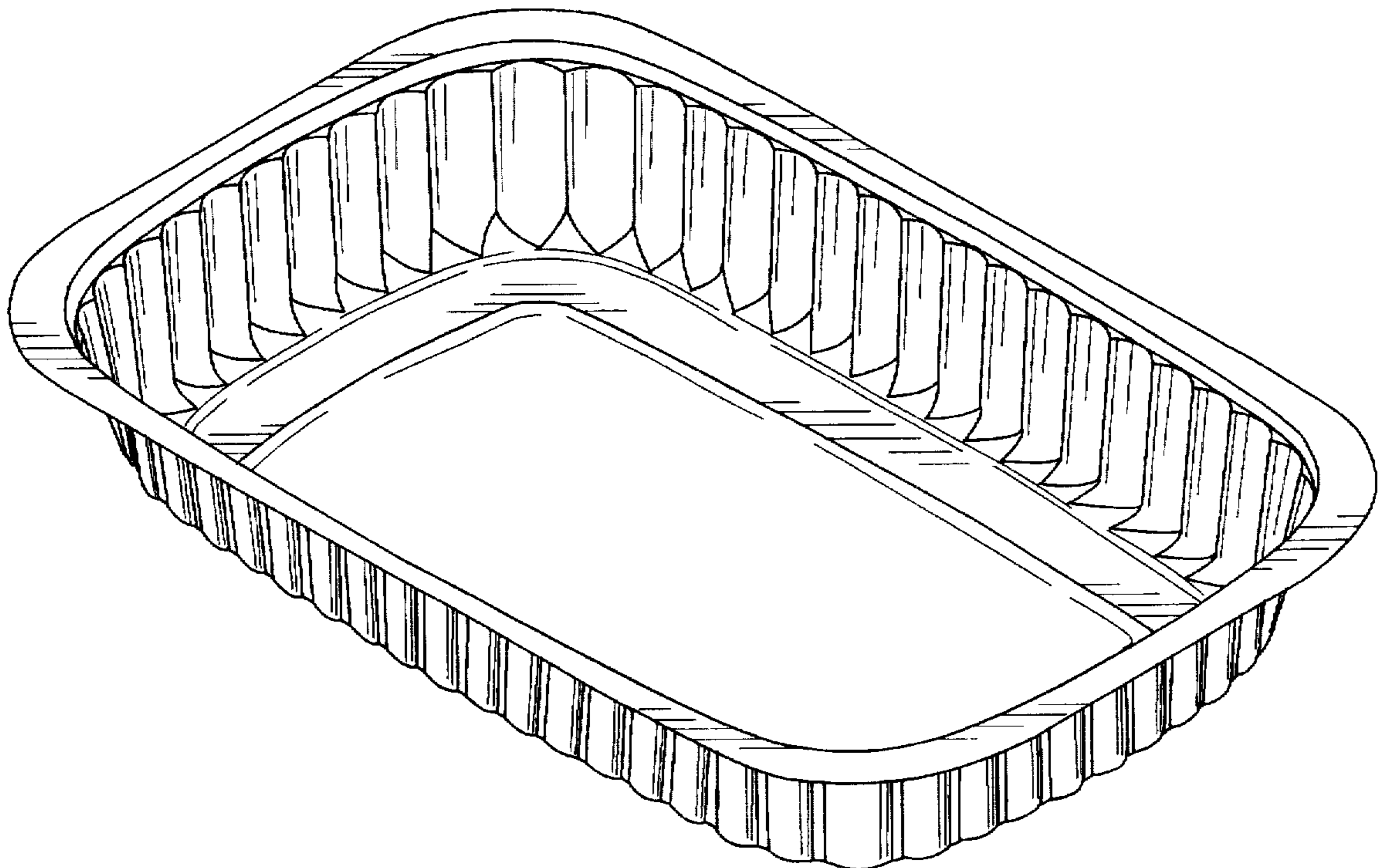
FIG. 1 is an isometric view of a food container showing my new design;
FIG. 2 is a top plan view of the food container shown in FIG. 1;
FIG. 3 is a bottom plan view of the food container shown in FIG. 1;
FIG. 4 is a side elevational view taken from the right side of the food container shown in FIG. 1; the left side elevational view being substantially identical thereto; and,
FIG. 5 is a front elevational view of the food container shown in FIG. 1; the rear elevational view being substantially identical thereto.

[56] References Cited

U.S. PATENT DOCUMENTS

D. 221,604	8/1971	Rodolkis	229/407 X
D. 223,144	3/1972	Bloch	D9/341
T909,015	4/1973	Pecka	229/407 X
2,738,915	3/1956	Clair	229/406
3,154,215	10/1964	Vesconte	229/406 X
3,811,560	5/1974	Schilling et al.	220/556 X
4,026,458	5/1977	Morris et al.	229/406 X
4,889,239	12/1989	Sandish et al.	229/904 X
4,974,738	12/1990	Kidd et al.	229/406 X

1 Claim, 4 Drawing Sheets



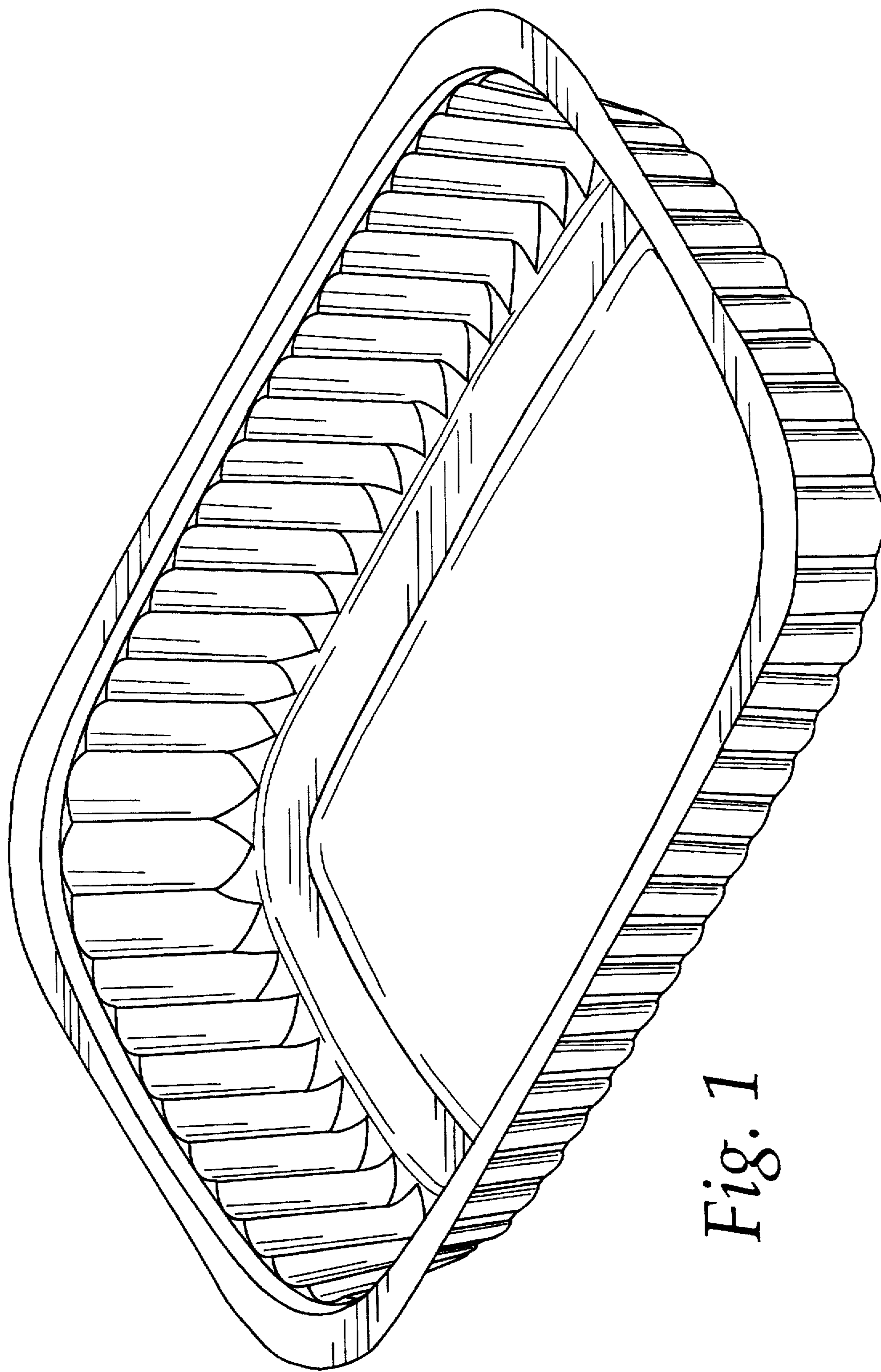


Fig. 1

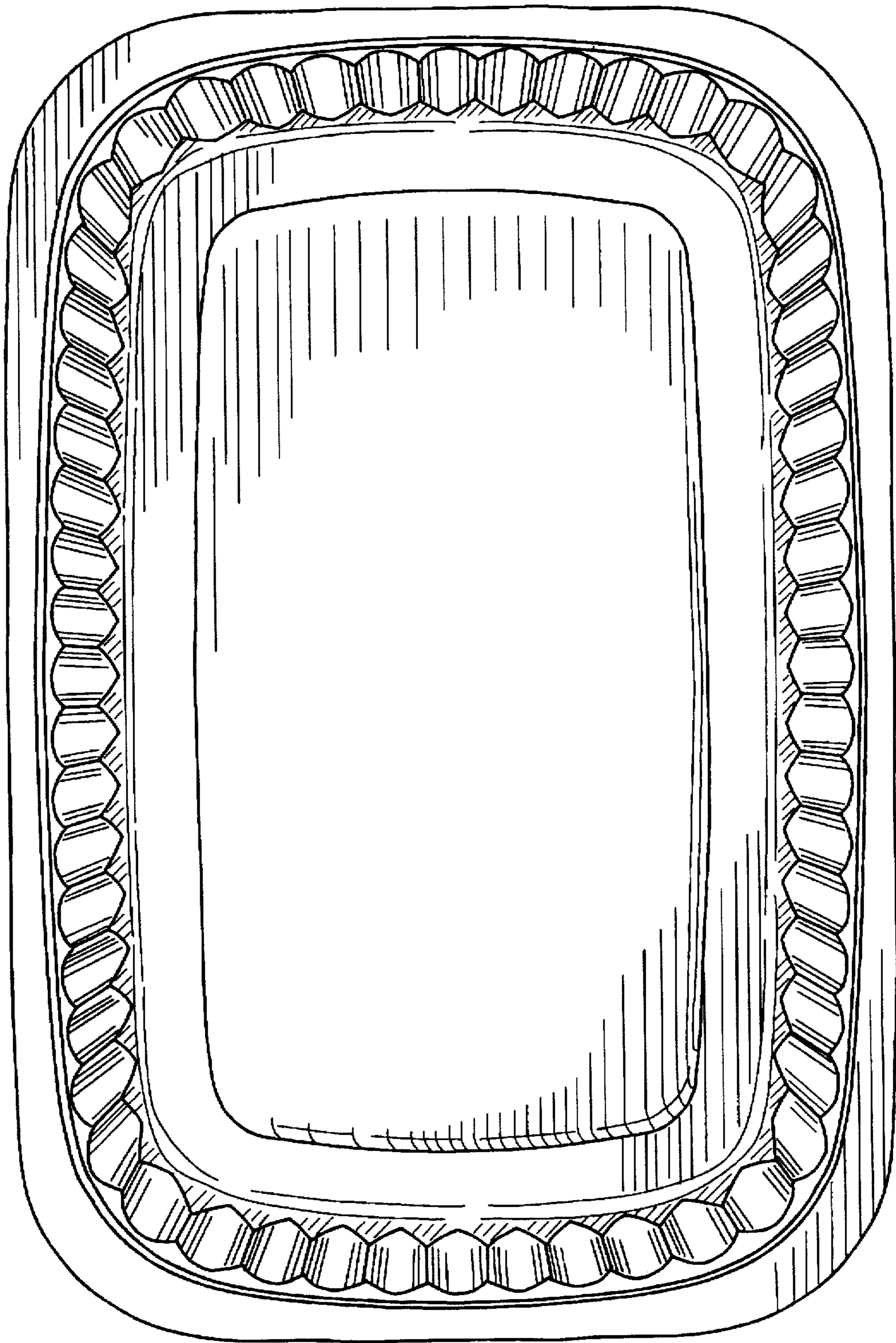


Fig. 2

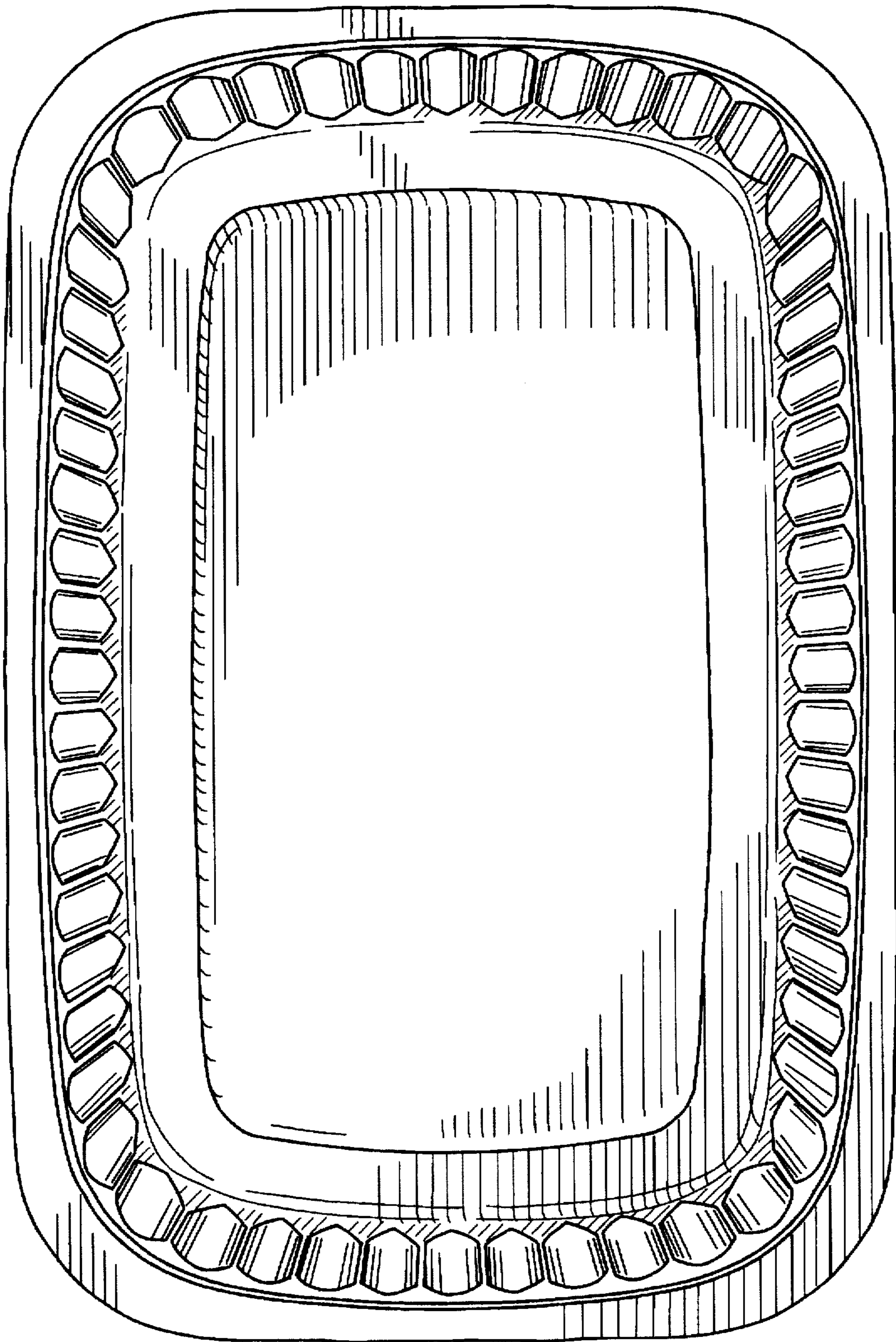


Fig. 3

Fig. 4

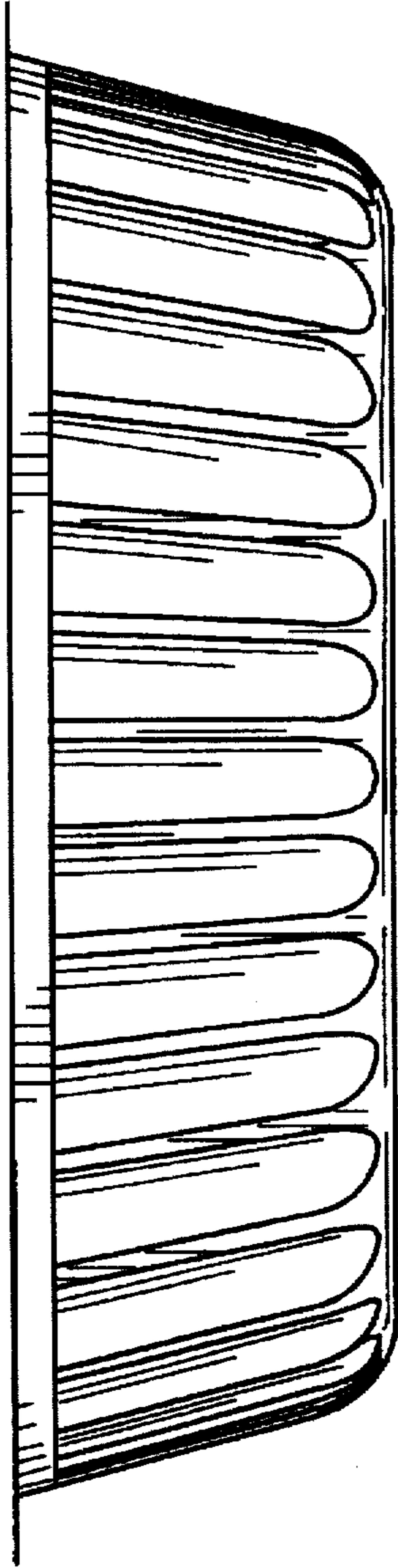


Fig. 5

