

US00D392877S

United States Patent [19]
Eguchi

[11] **Patent Number:** **Des. 392,877**
[45] **Date of Patent:** ****Mar. 31, 1998**

[54] **FACE ATTACHMENT**

[75] **Inventor:** **Tomoo Eguchi**, Utsunomiya, Japan

[73] **Assignee:** **Nifco Inc.**, Yokohama, Japan

[**] **Term:** **14 Years**

[21] **Appl. No.:** **51,019**

[22] **Filed:** **Mar. 1, 1996**

[30] **Foreign Application Priority Data**

Oct. 12, 1995 [JP] Japan 7-30288
Oct. 12, 1995 [JP] Japan 7-30290

[51] **LOC (6) Cl.** **08-08**

[52] **U.S. Cl.** **D8/382**

[58] **Field of Search** D8/382, 388, 393,
D8/390, 391; 24/293, 297, 301, 662, 16 PB;
411/500, 501; 248/74.3, 71

[56] **References Cited**

U.S. PATENT DOCUMENTS

D. 269,589 7/1983 Nakama D8/390 X
D. 293,883 1/1988 Hirohata D8/388 X

D. 298,736 11/1988 Shiraishi D8/388
D. 298,801 12/1988 Satoh D8/393 X
D. 367,419 2/1996 Murasaki D8/382
3,277,769 10/1966 Lippmeier D8/393 X
5,537,793 7/1996 Murasaki D8/382 X
5,595,567 1/1997 King et al. D8/382 X

Primary Examiner—Paula A. Mortimer
Attorney, Agent, or Firm—Kanesaka & Takeuchi

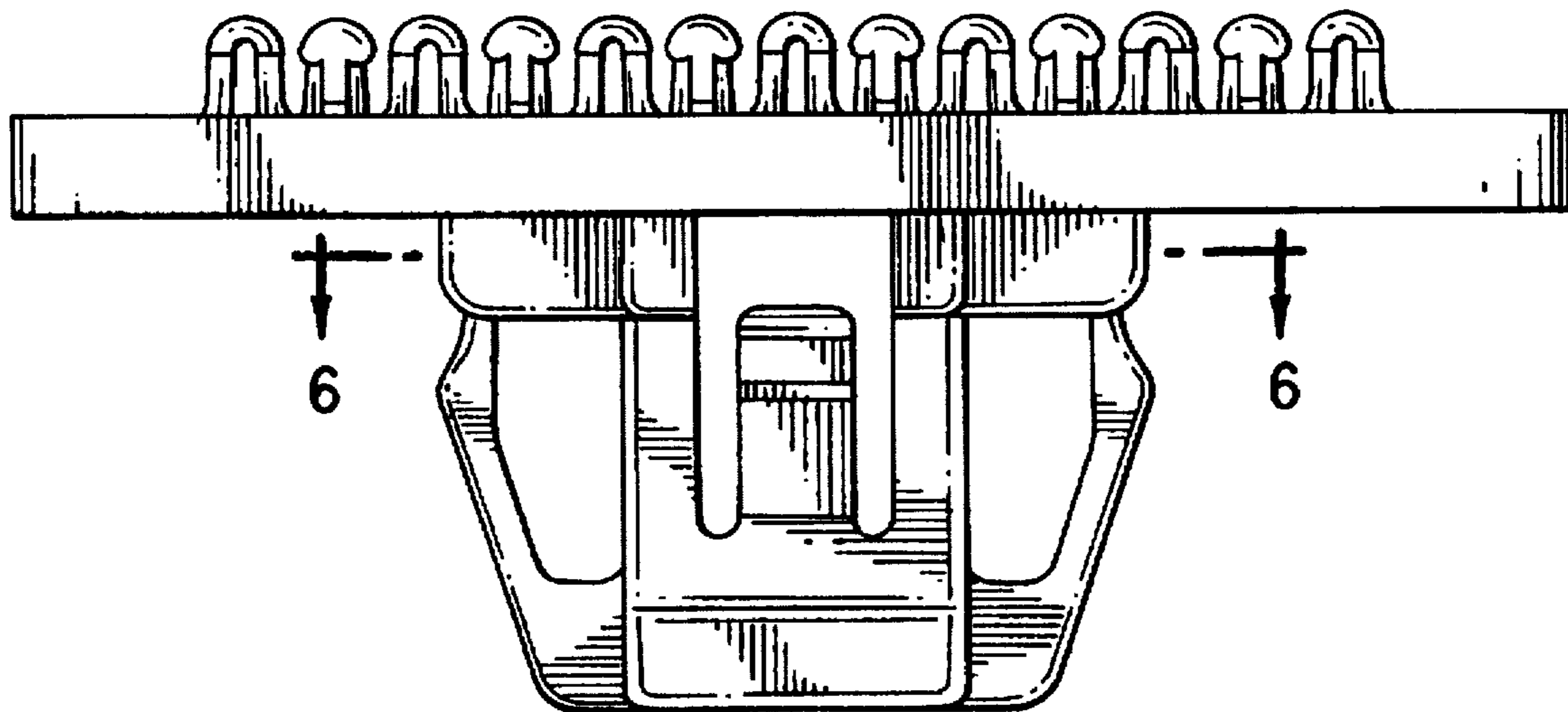
[57] **CLAIM**

The ornamental design for a face attachment, as shown and described.

DESCRIPTION

FIG. 1 is a top plan view of a face attachment showing my new design;
FIG. 2 is a front view thereof, the rear view being identical;
FIG. 3 is a right side view thereof, the left view being identical;
FIG. 4 is a bottom plan view thereof;
FIG. 5 is a cross sectional view taken along line 5—5 in FIG. 1; and,
FIG. 6 is a cross sectional view taken along line 6—6 in FIG. 2.

1 Claim, 3 Drawing Sheets



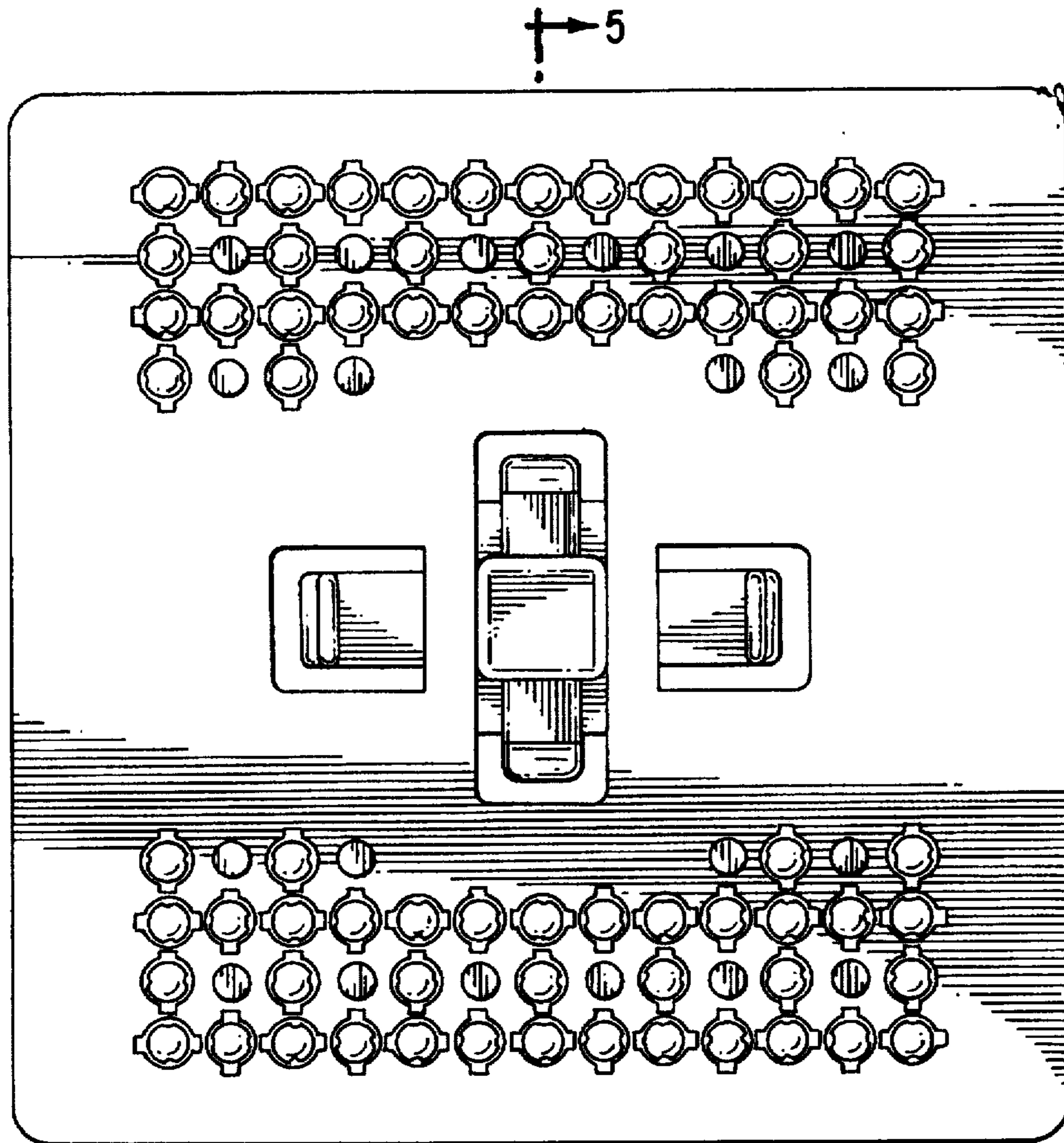


FIG. 1

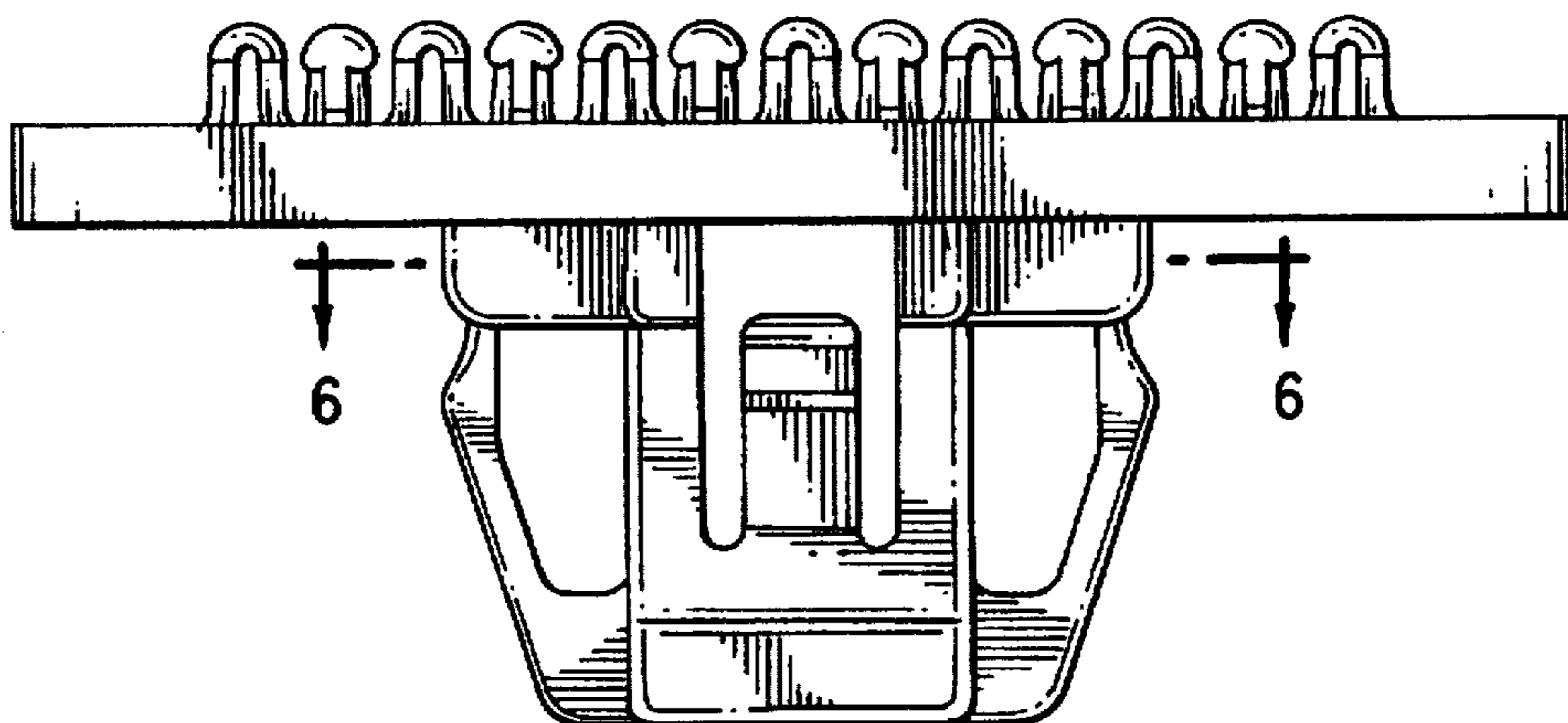


FIG. 2

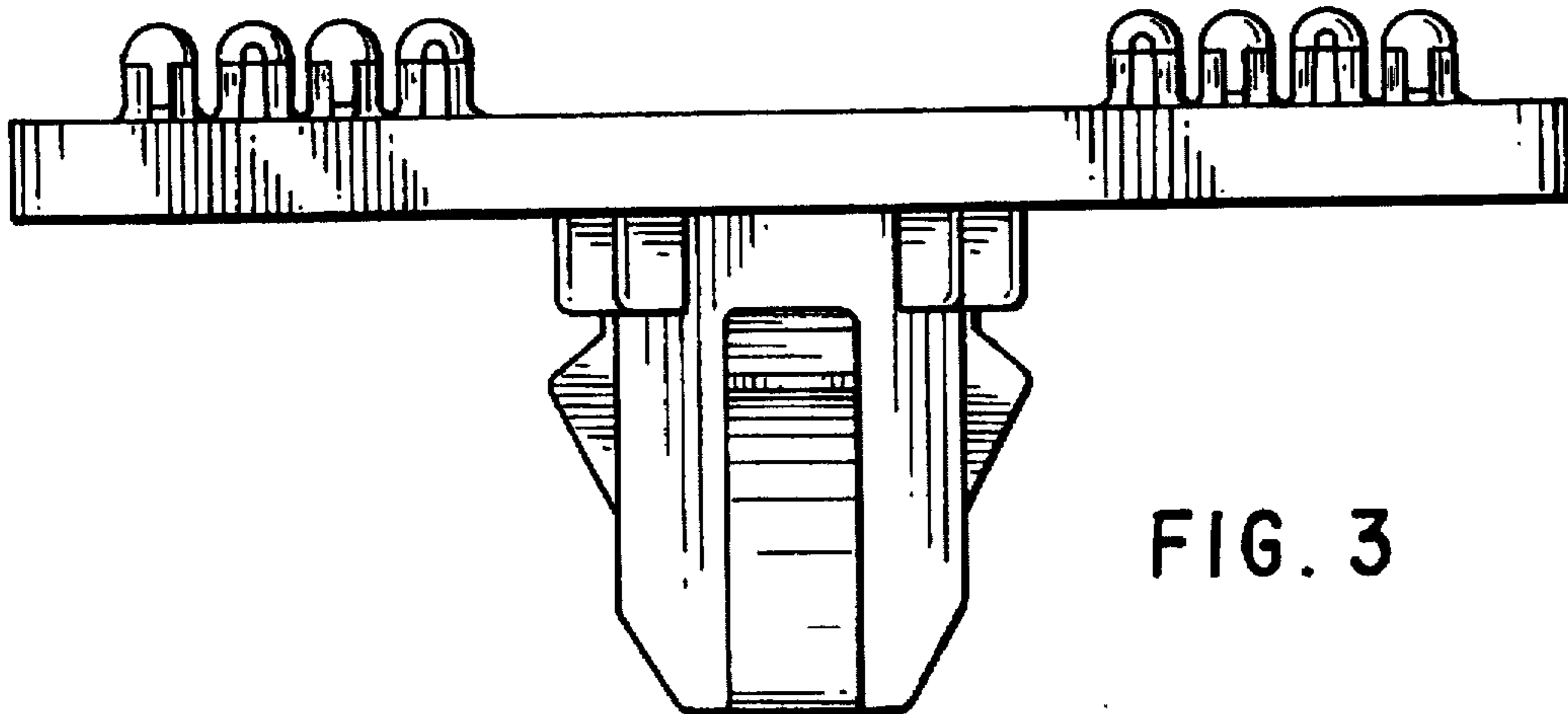


FIG. 3

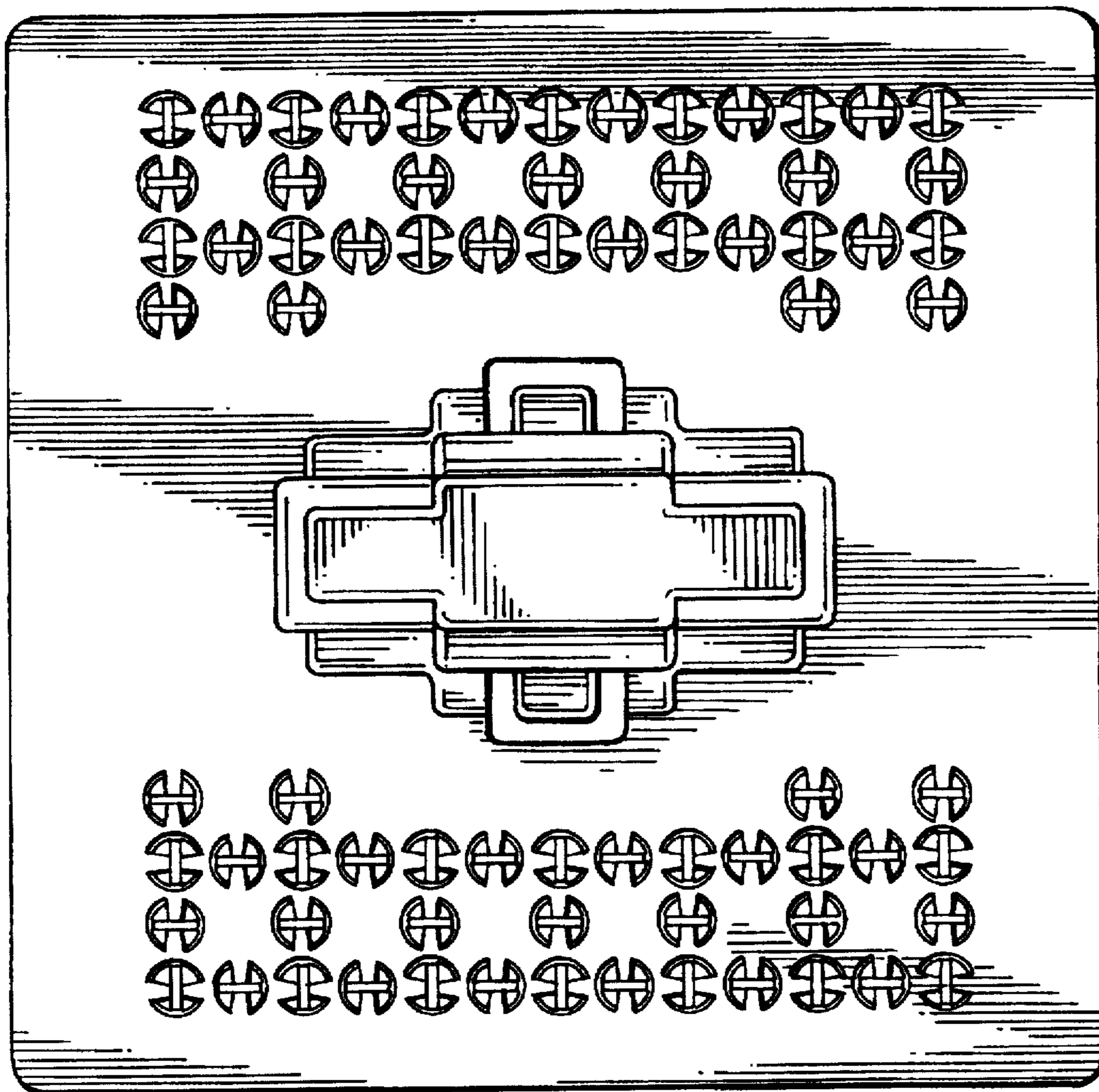


FIG. 4

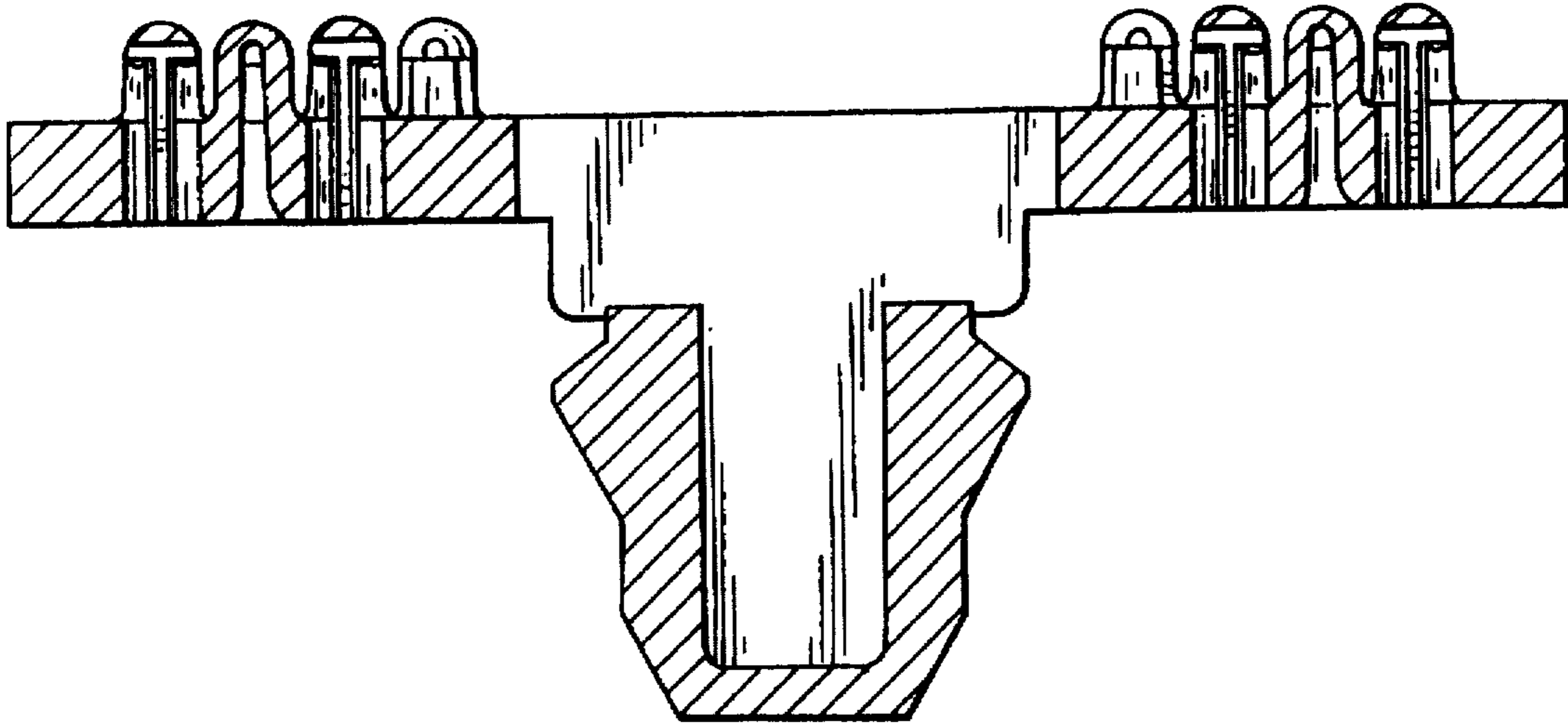


FIG. 5

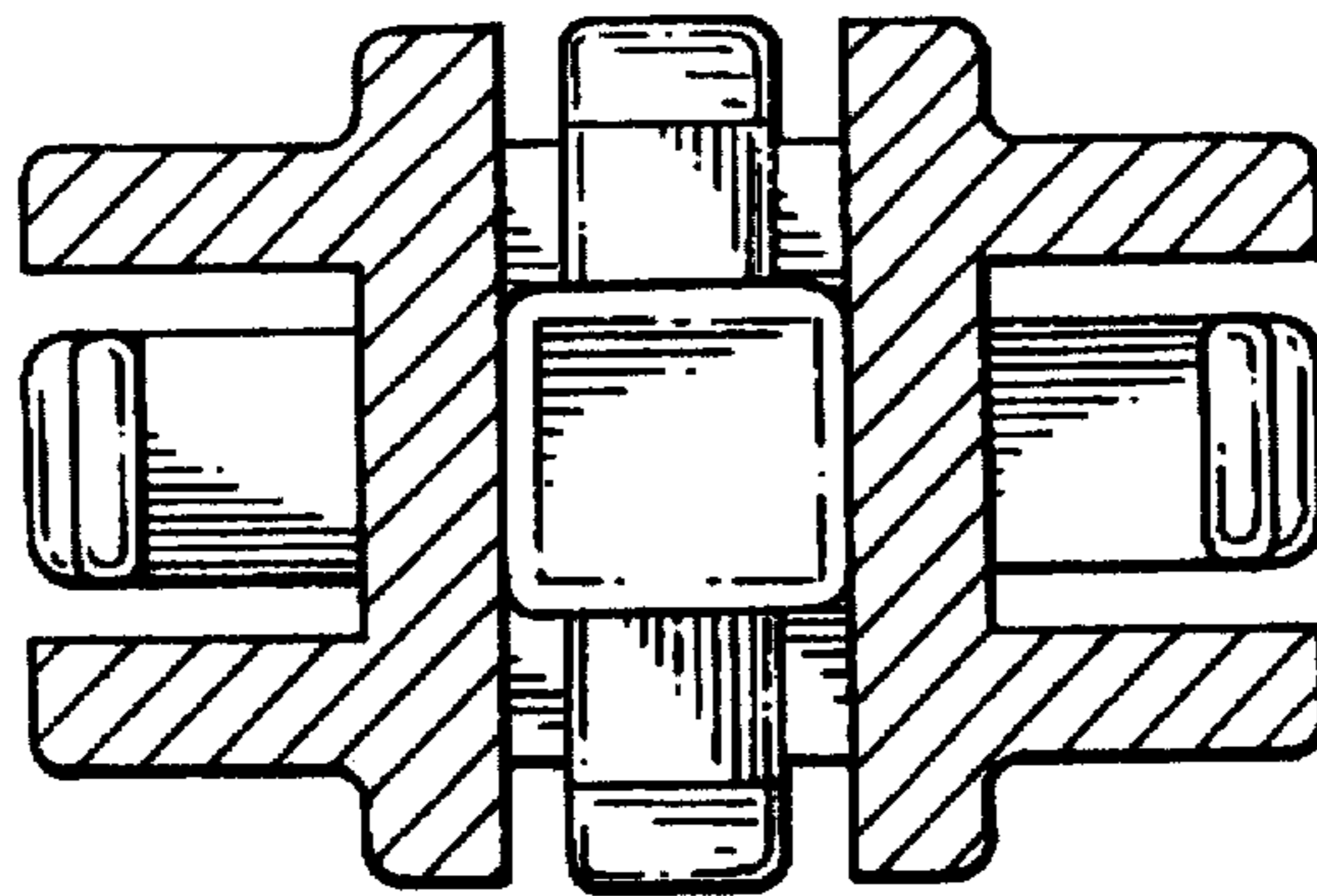


FIG. 6