



US00D392875S

United States Patent [19]

Scott

[11] Patent Number: **Des. 392,875**

[45] Date of Patent: ****Mar. 31, 1998**

[54] **ROTATING BALL CASTER**

[76] Inventor: **Robert L. Scott**, 3949 Los Feliz Blvd., #207, Los Angeles, Calif. 90027

[**] Term: **14 Years**

[21] Appl. No.: **48,329**

[22] Filed: **Dec. 26, 1995**

[51] LOC (6) Cl. **08-05**

[52] U.S. Cl. **D8/375**

[58] Field of Search D8/375; 16/18 R, 16/18 CG, 25-28, 45, 47; 190/18 A

[56] **References Cited**

U.S. PATENT DOCUMENTS

545,068	8/1895	Gaffney .	
635,680	10/1899	Guinan	16/26
647,675	4/1900	Koch .	
672,490	4/1901	Norblad	16/26 X
1,154,448	9/1915	Sleicher	16/26
1,198,717	9/1916	Gardner .	
1,337,344	4/1920	Czyzyk .	
1,412,499	4/1922	York .	
1,440,641	1/1923	Stevens	16/26
1,445,747	2/1923	Bryant et al.	16/26
2,034,509	3/1936	De Haven .	

FOREIGN PATENT DOCUMENTS

586615	1/1925	France	16/26
--------	--------	--------------	-------

357524	11/1961	Switzerland .	
4206	2/1897	United Kingdom	16/27
16304	8/1901	United Kingdom	16/27
226964	1/1925	United Kingdom .	

Primary Examiner—Holly Baynham
Attorney, Agent, or Firm—Knobbe, Martens, Olson & Bear, LLP

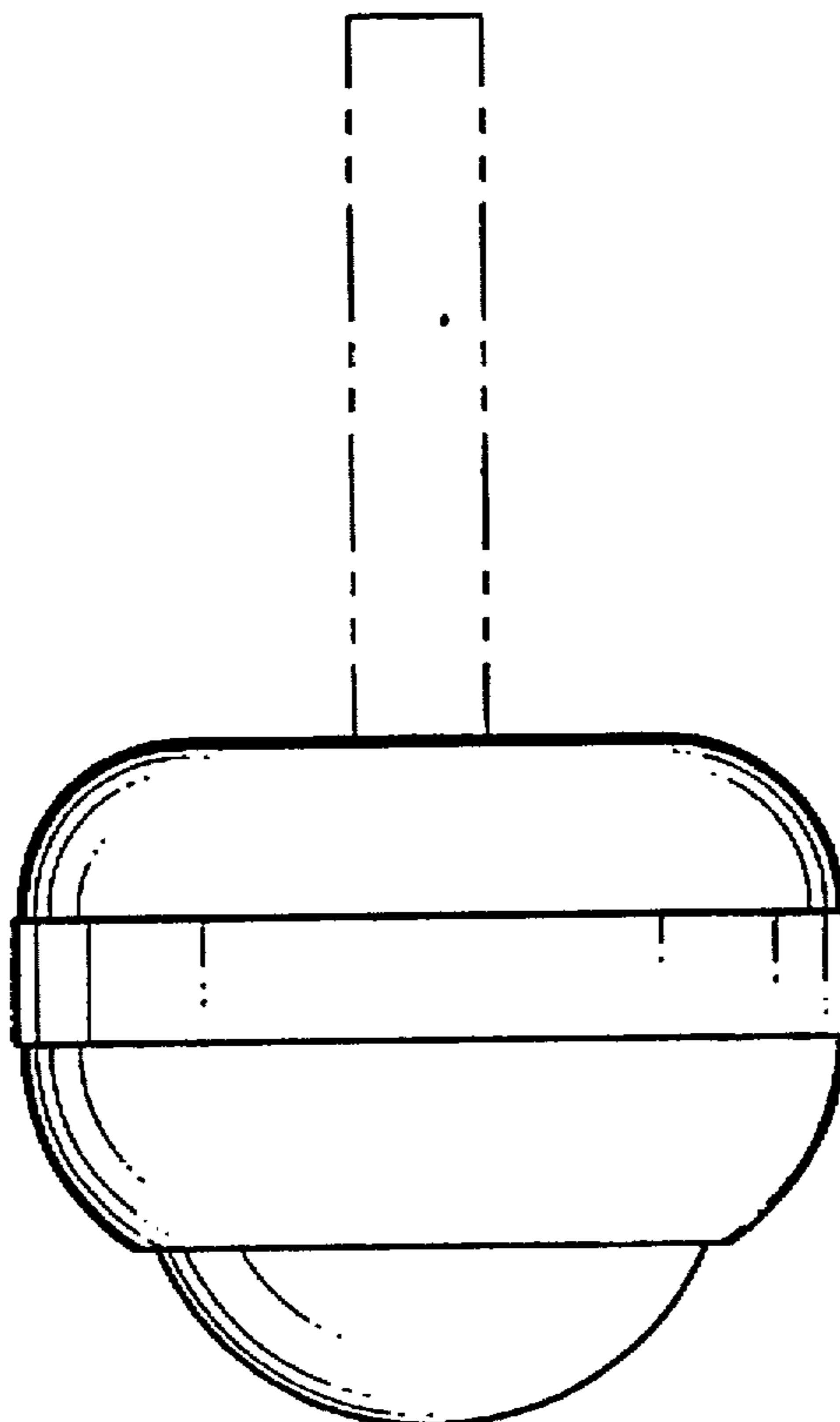
[57] **CLAIM**

The ornamental design for a rotating ball caster, as shown and described.

DESCRIPTION

FIG. 1 is a top plan view of the rotating ball caster illustrating one embodiment of the present invention;
 FIG. 2 is a front elevational view of the rotating ball caster of FIG. 1, the left side, rear, and right side views appearing the same as the front view;
 FIG. 3 is a bottom plan view of the rotating ball caster of FIG. 1;
 FIG. 4 is a top plan view of a second embodiment of the rotating ball caster of the present invention;
 FIG. 5 is a front elevational view of the rotating ball caster of FIG. 4, the left side, rear, and right side views appearing the same as the front view; and,
 FIG. 6 is a bottom plan view of the rotating ball caster of FIG. 4.

1 Claim, 2 Drawing Sheets



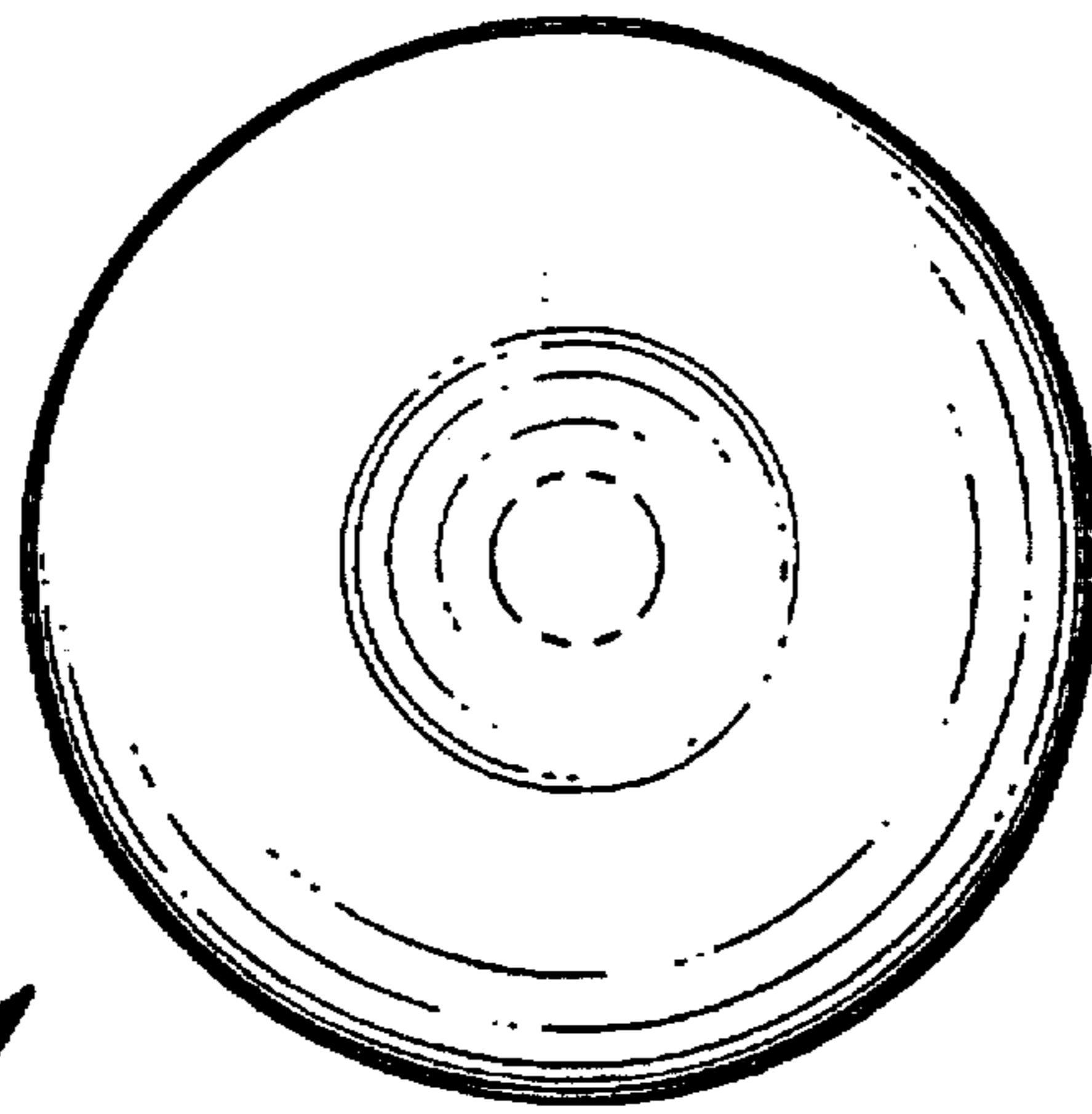


Fig. 1

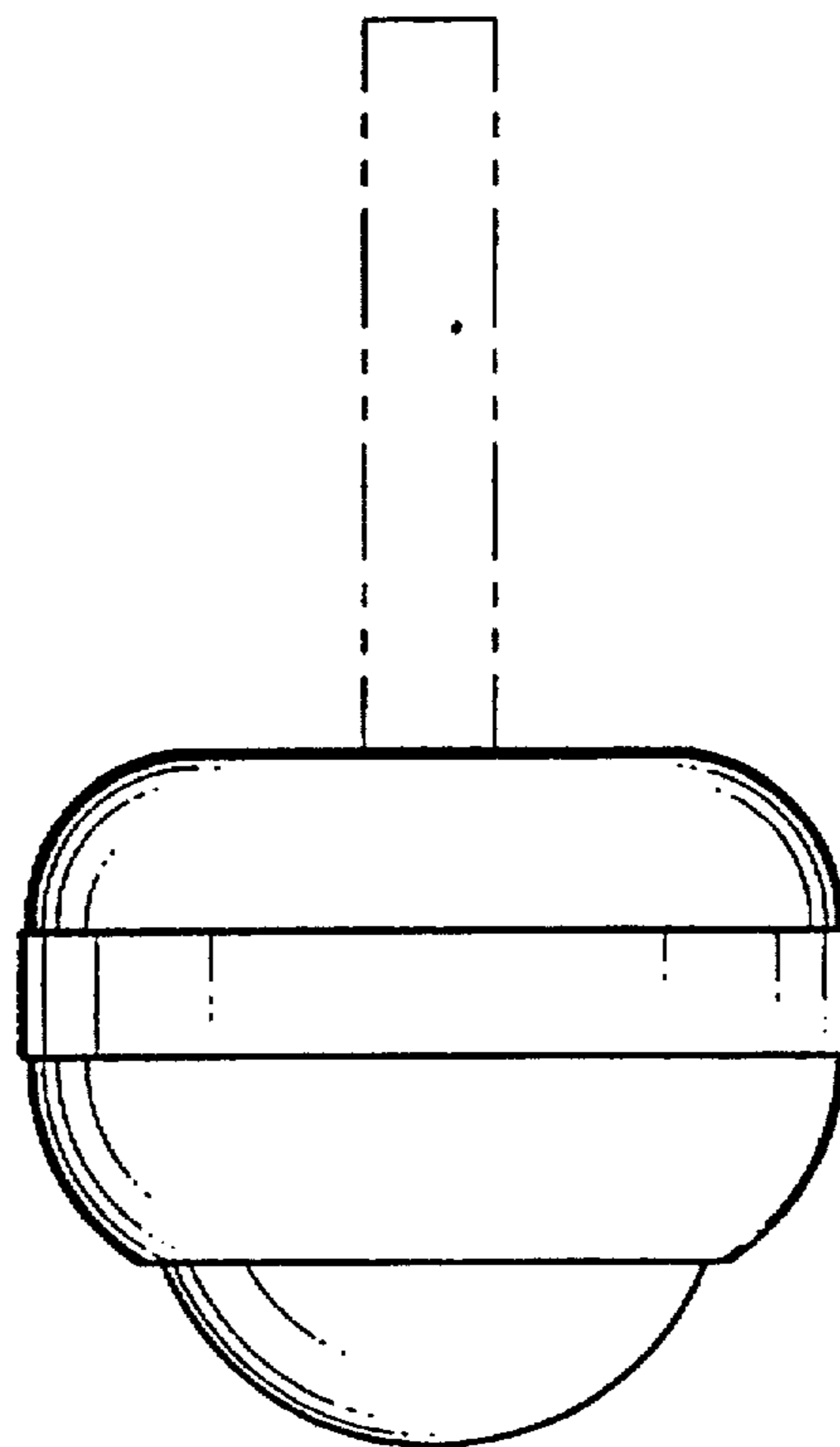


Fig. 2

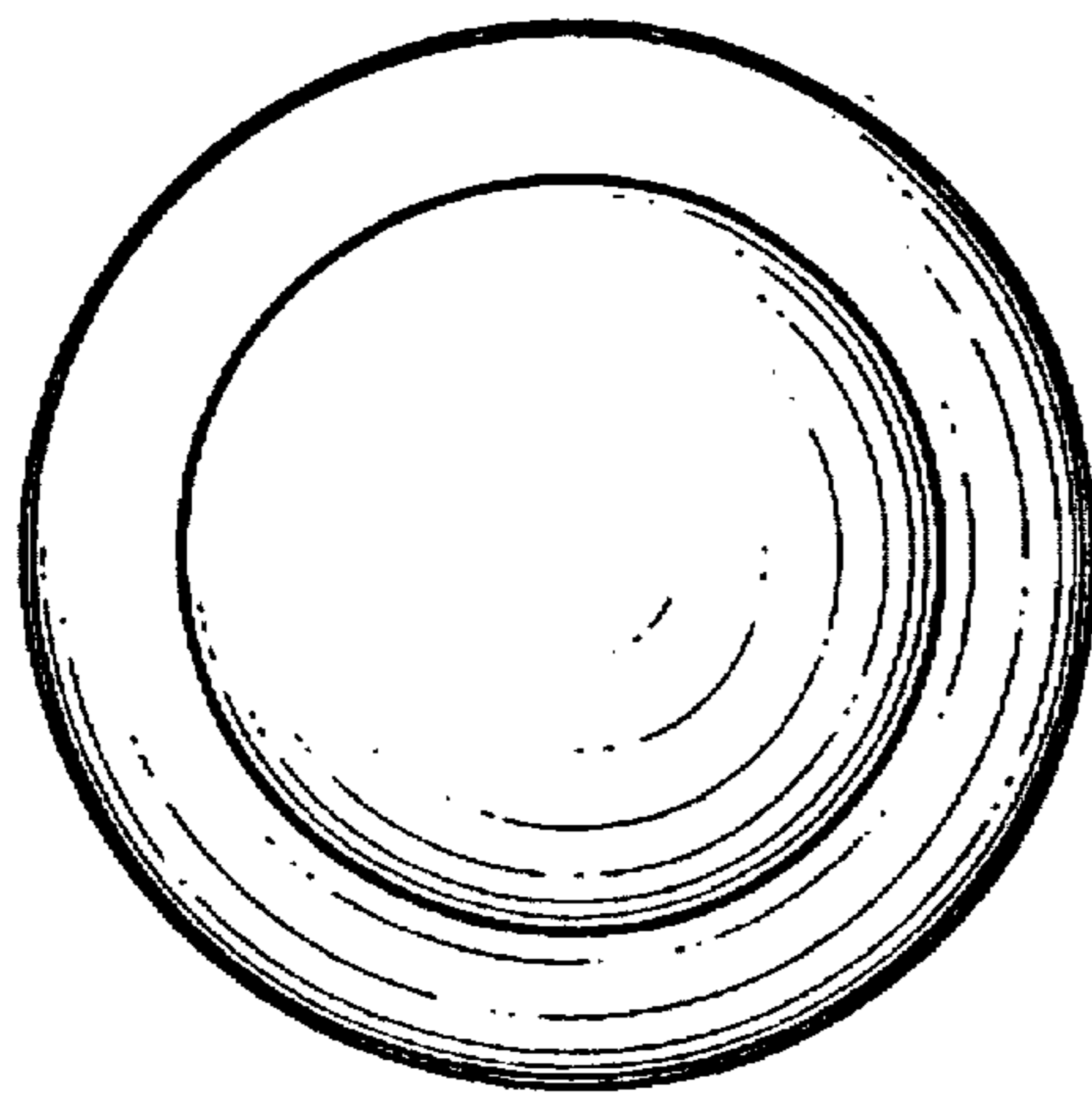


Fig. 3

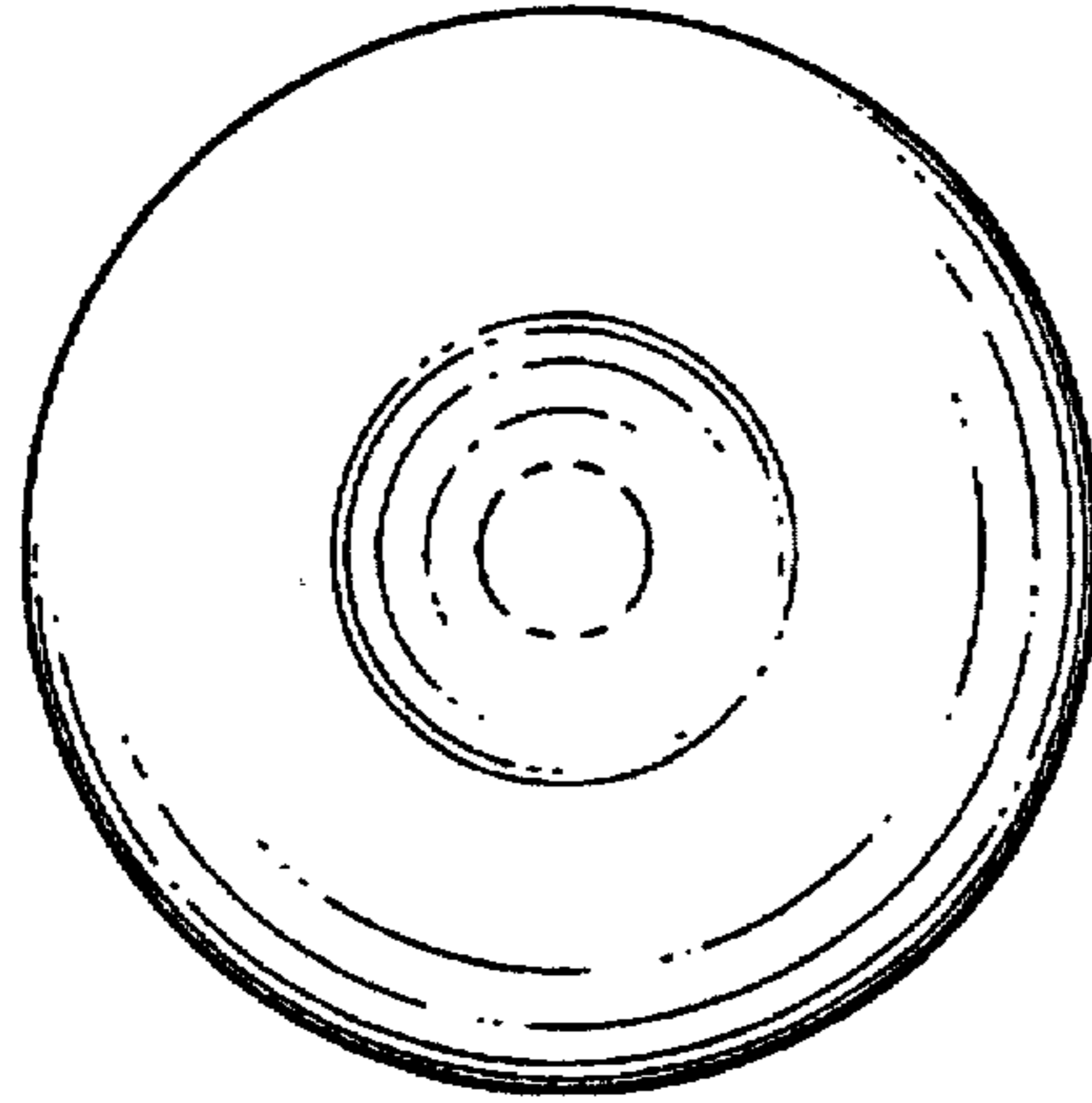


Fig. 4

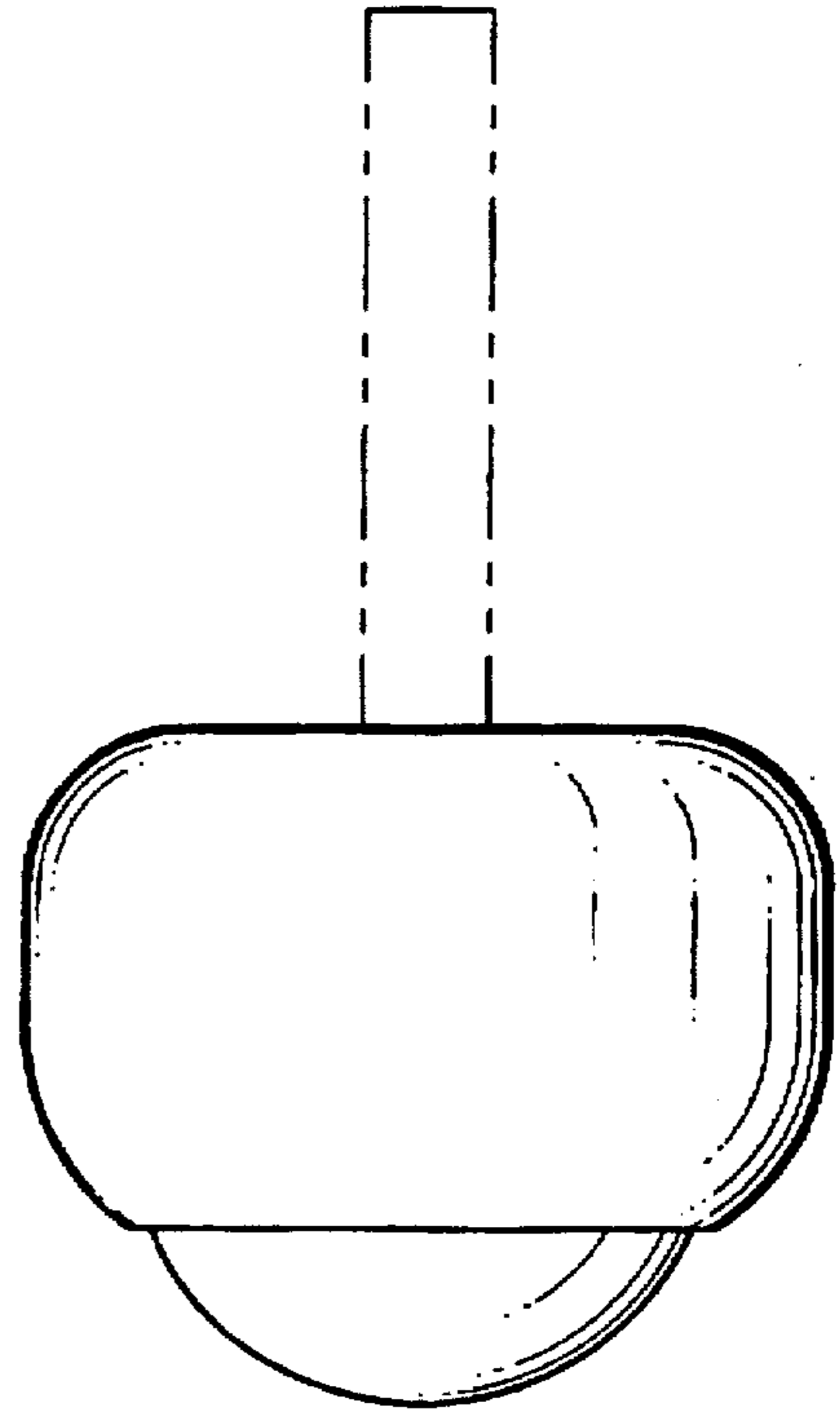


Fig. 5

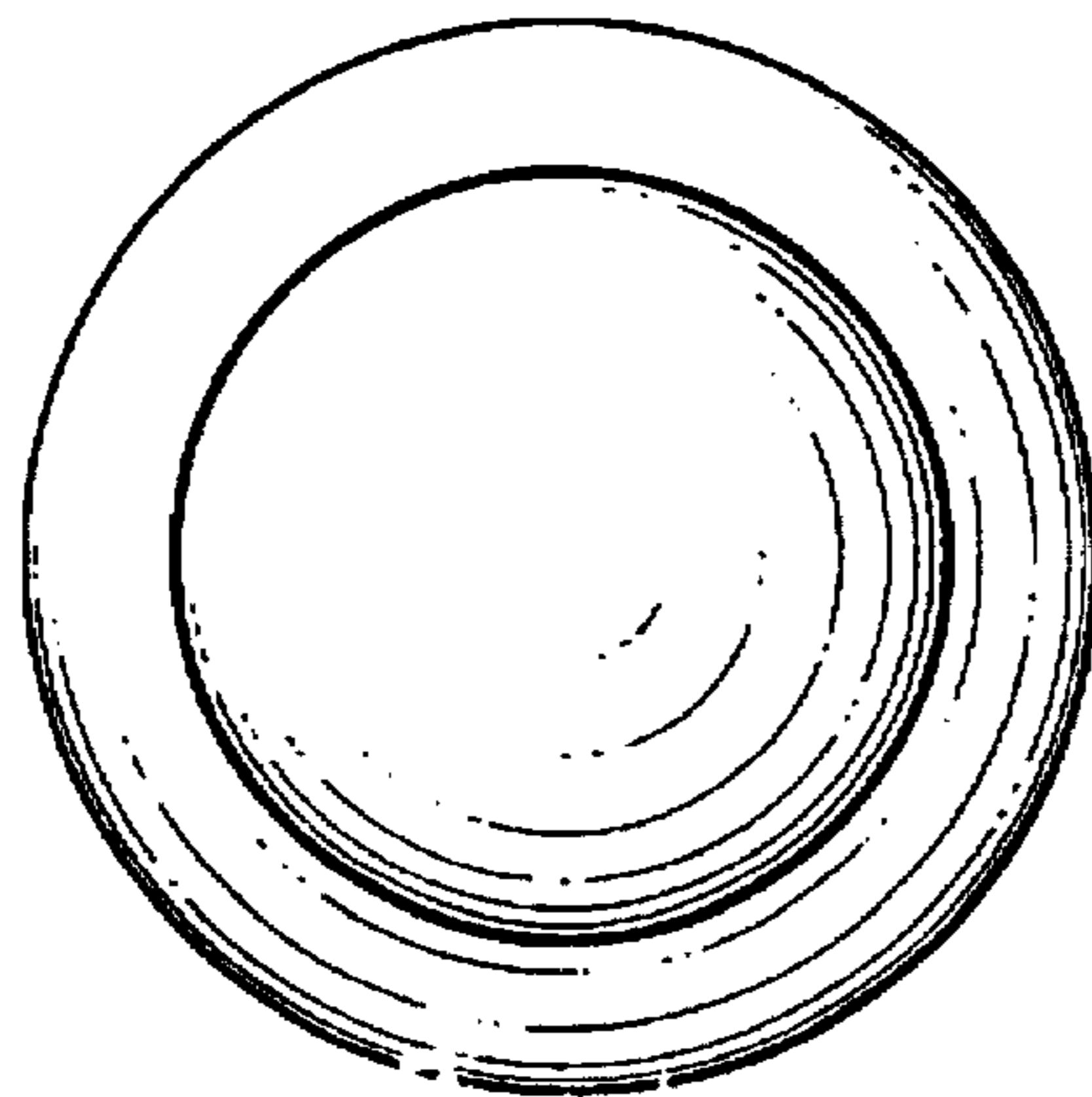


Fig. 6

UNITED STATES PATENT AND TRADEMARK OFFICE
CERTIFICATE OF CORRECTION

PATENT NO. : Des. 392,875

DATED : March 31, 1998

INVENTOR(S) : Robert L. Scott

It is certified that error appears in the above-identified patent and that said Letters Patent is hereby corrected as shown below:

On the title page, item [22]

Please change the filing date from "December 26, 1995" to --December
20, 1995--.

Signed and Sealed this
Ninth Day of June, 1998

Attest:



BRUCE LEHMAN

Attesting Officer

Commissioner of Patents and Trademarks