



US00D392866S

United States Patent [19]

[11] Patent Number: Des. 392,866

Degen et al.

[45] Date of Patent: **Mar. 31, 1998

[54] **TOOL MOUNTING BASE**

Primary Examiner—Antoine Duval Davis
Attorney, Agent, or Firm—Antonelli, Terry, Stout, & Kraus, LLP

[75] Inventors: **Klemens Degen**, Weibern; **Stefan Blank**, Neuwied, both of Germany; **Edmund Apolinski**, Chicago; **David R. Daniels**, Lake Villa, both of Ill.

[57] **CLAIM**

The ornamental design for a tool mounting base, as shown.

[73] Assignee: **Wolfcraft GmbH**, Kempenich, Germany

DESCRIPTION

[**] Term: **14 Years**

FIG. 1 is a left side elevational view of a first embodiment of the tool mounting base showing our new design; FIG. 2 is a front elevational view thereof; FIG. 3 is a right side elevational view thereof; FIG. 4 is a rear elevational view thereof; FIG. 5 is a top plan view thereof; and FIG. 6 is a bottom plan view thereof; FIG. 7 is a left side elevational view of another embodiment of the tool mounting base including a clamping attachment; FIG. 8 is a front elevational view thereof; FIG. 9 is a right side elevational view thereof; FIG. 10 is a rear elevational view; FIG. 11 is a top plan view thereof; and, FIG. 12 is a bottom plan view thereof.

[21] Appl. No.: **64,171**

[22] Filed: **Dec. 23, 1996**

[51] LOC (6) Cl. **08-05**

[52] U.S. Cl. **D8/71**

[58] Field of Search D8/71; 269/220, 269/282; 408/115, 106, 72 R

[56] **References Cited**

U.S. PATENT DOCUMENTS

D. 240,703 7/1976 Russell D8/71
4,865,496 9/1989 Challis 408/115 R

1 Claim, 6 Drawing Sheets

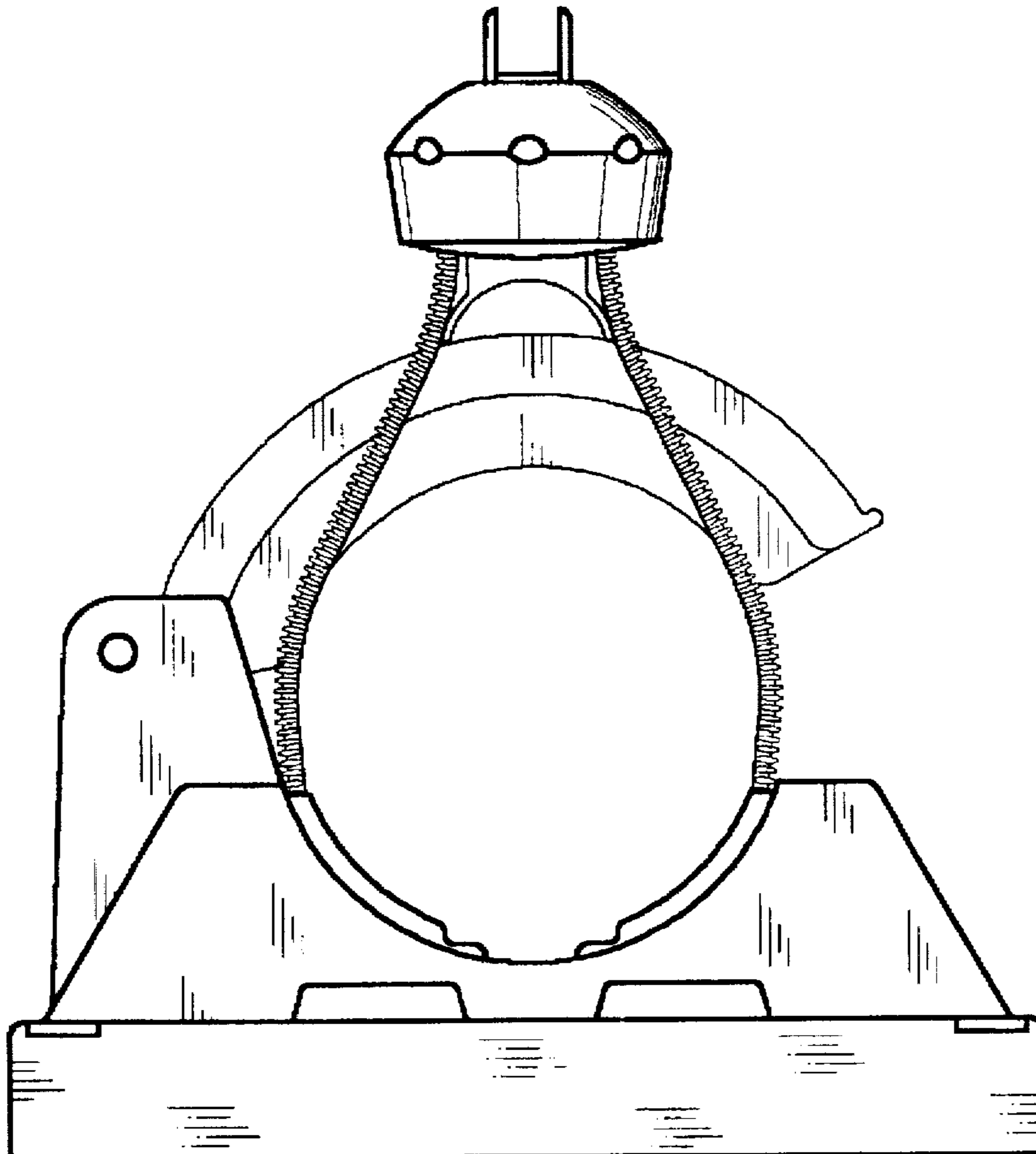


Fig. 1

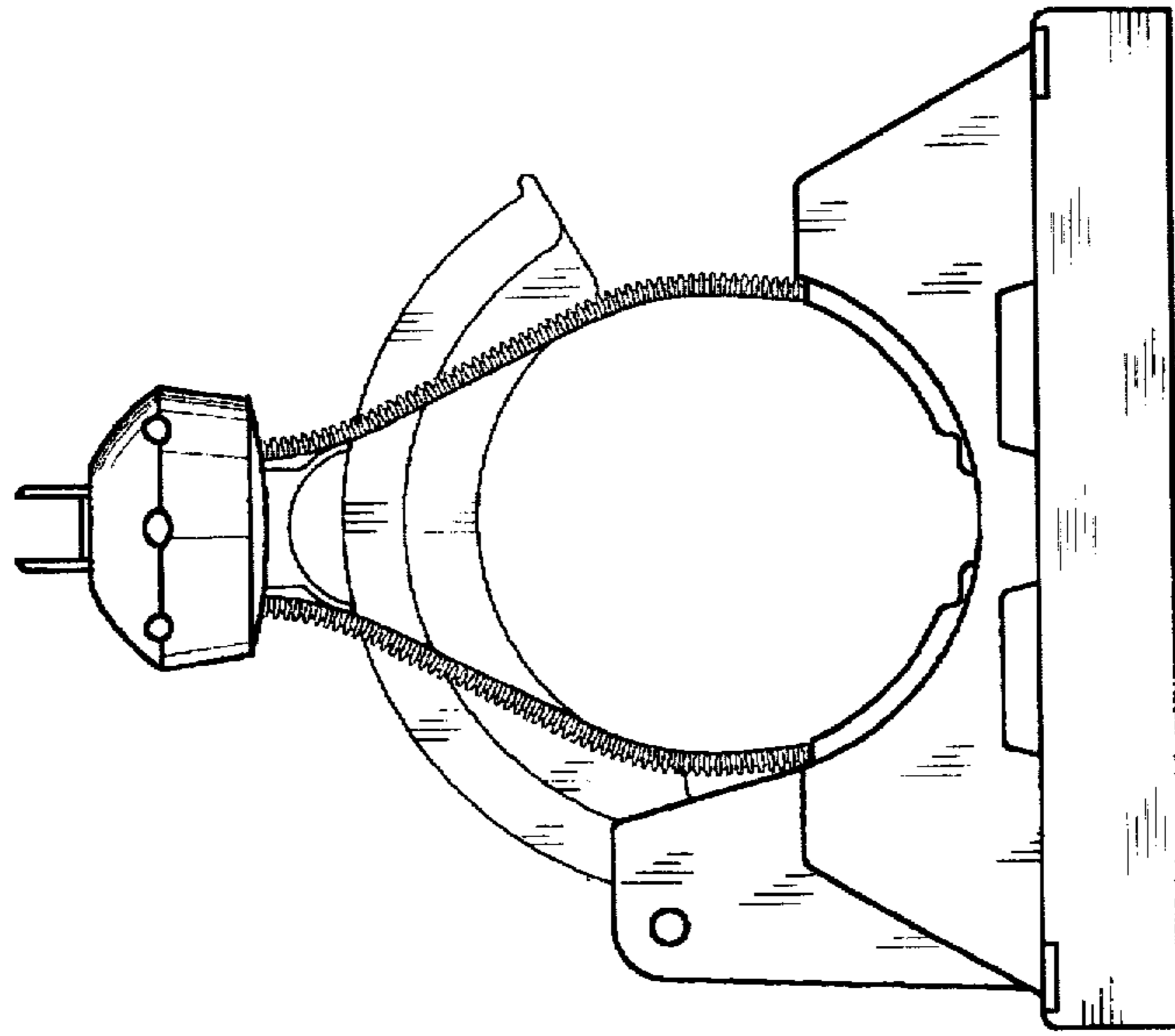


Fig. 2

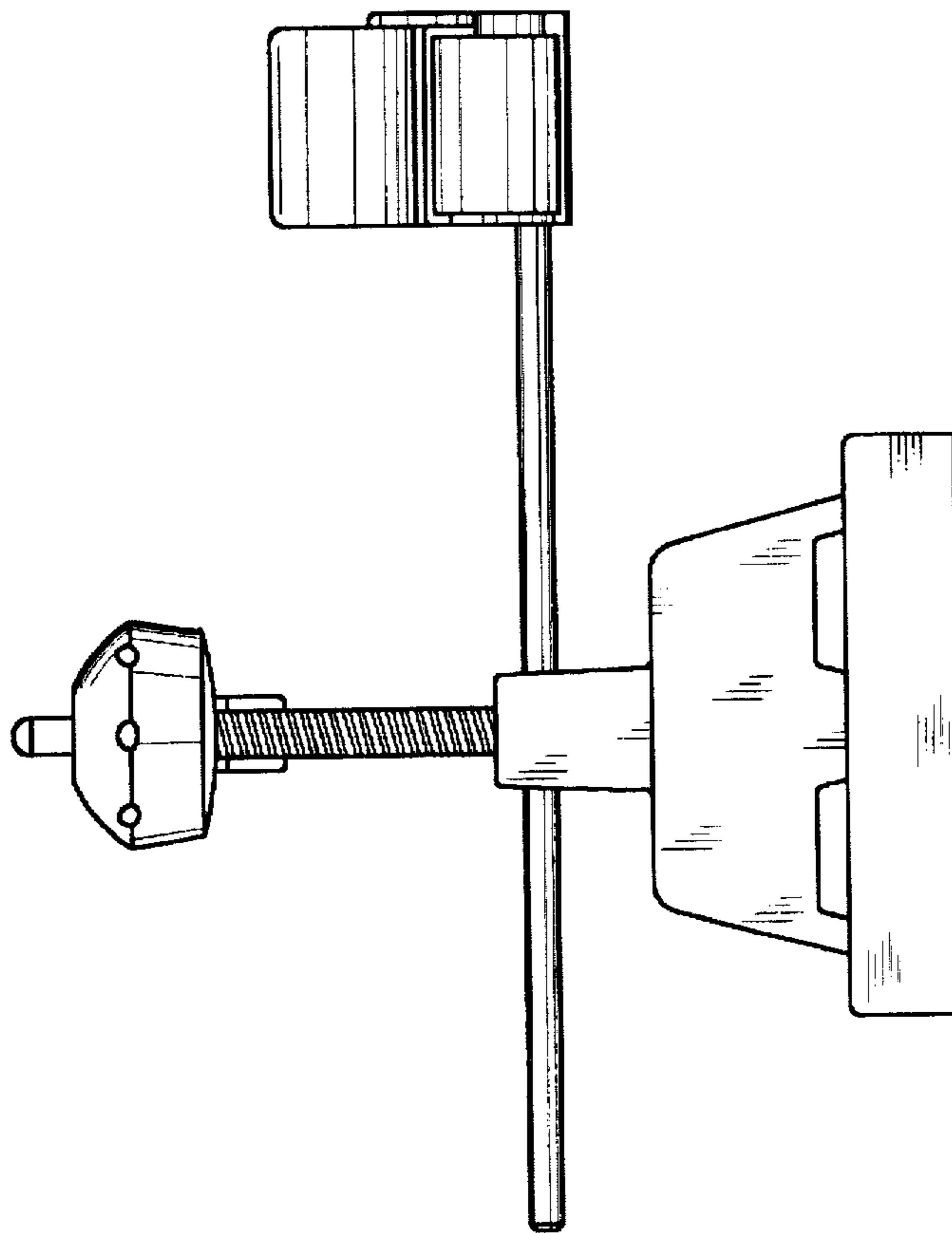


Fig. 3

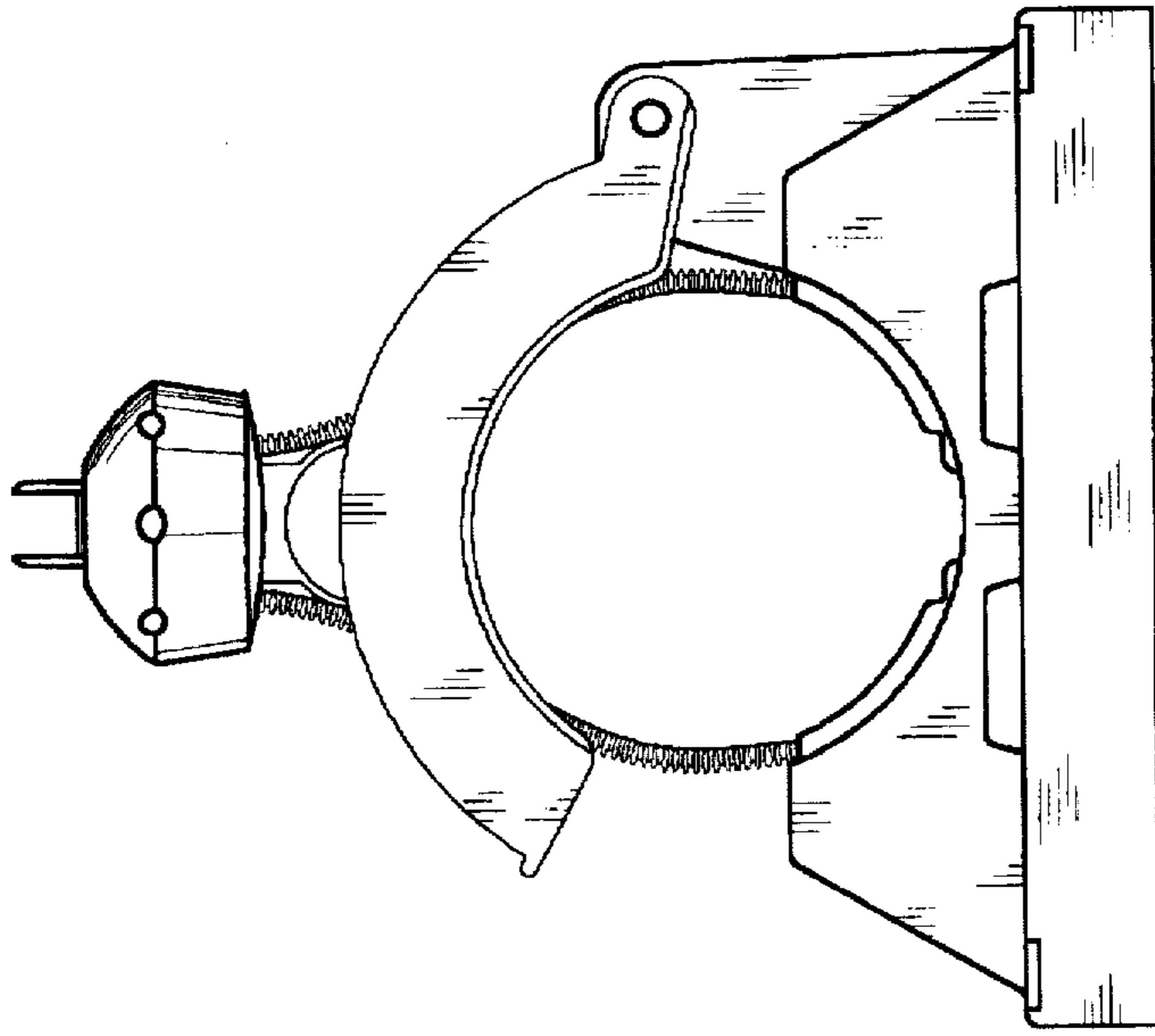


Fig. 4

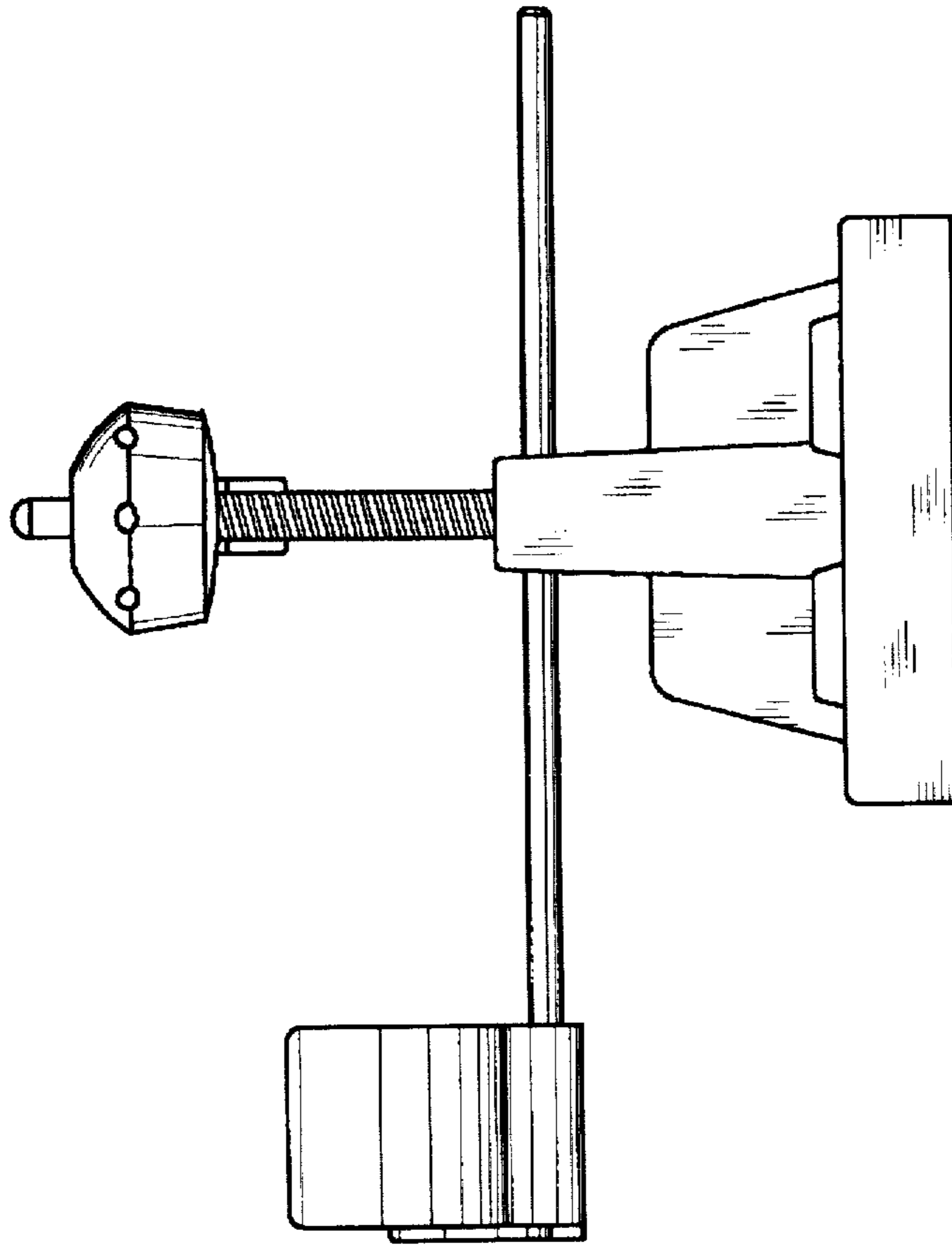


Fig. 6

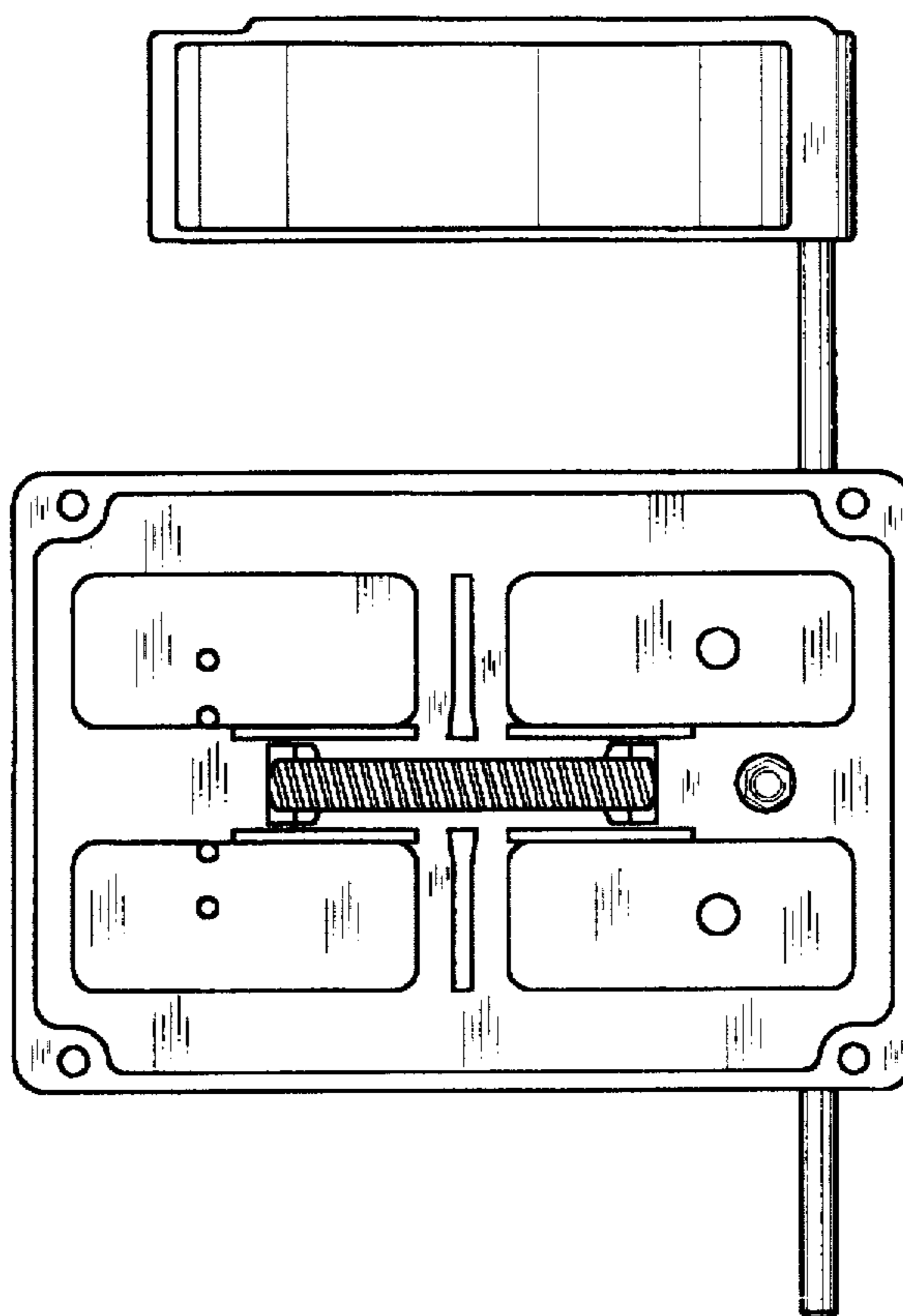
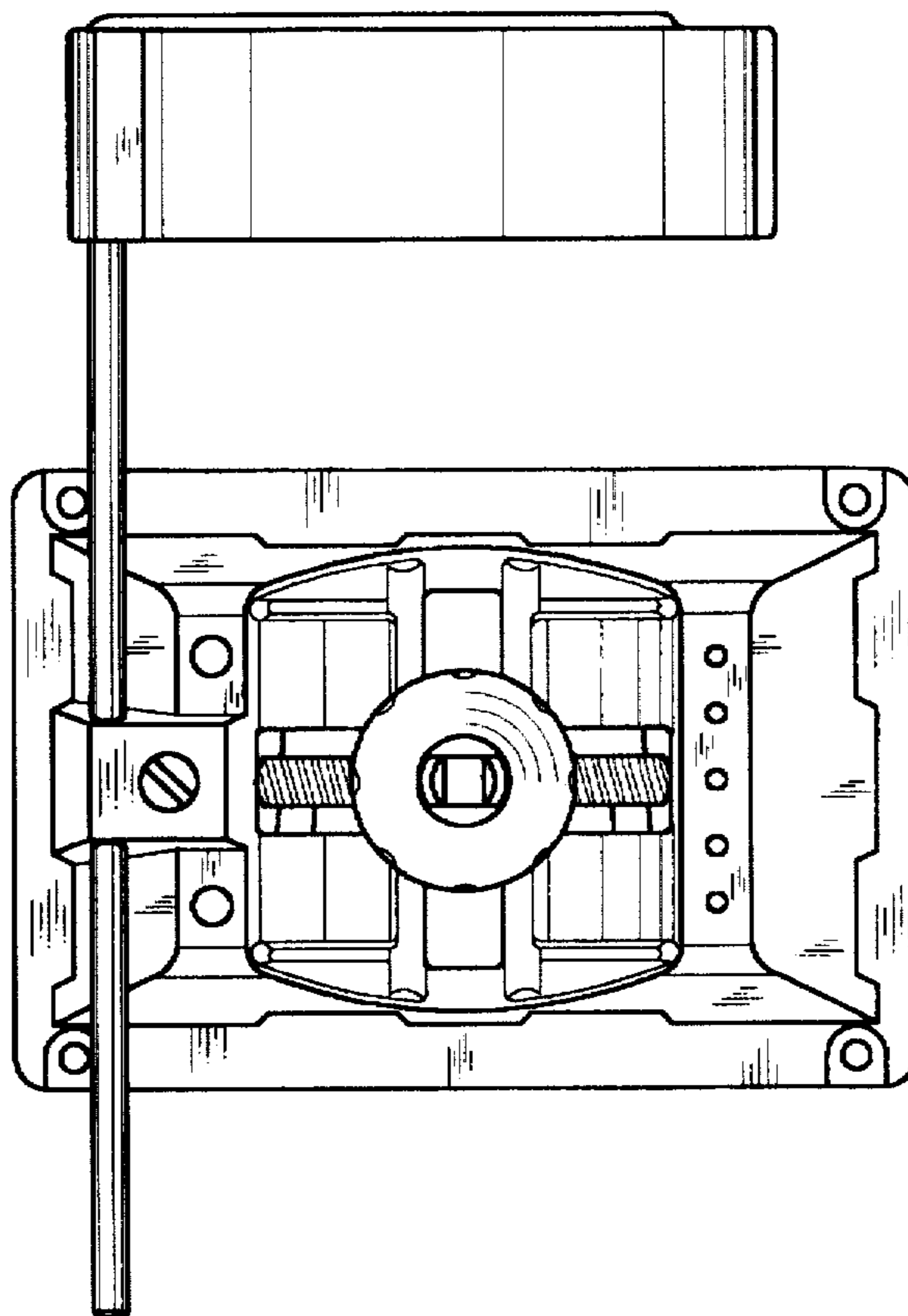


Fig. 5



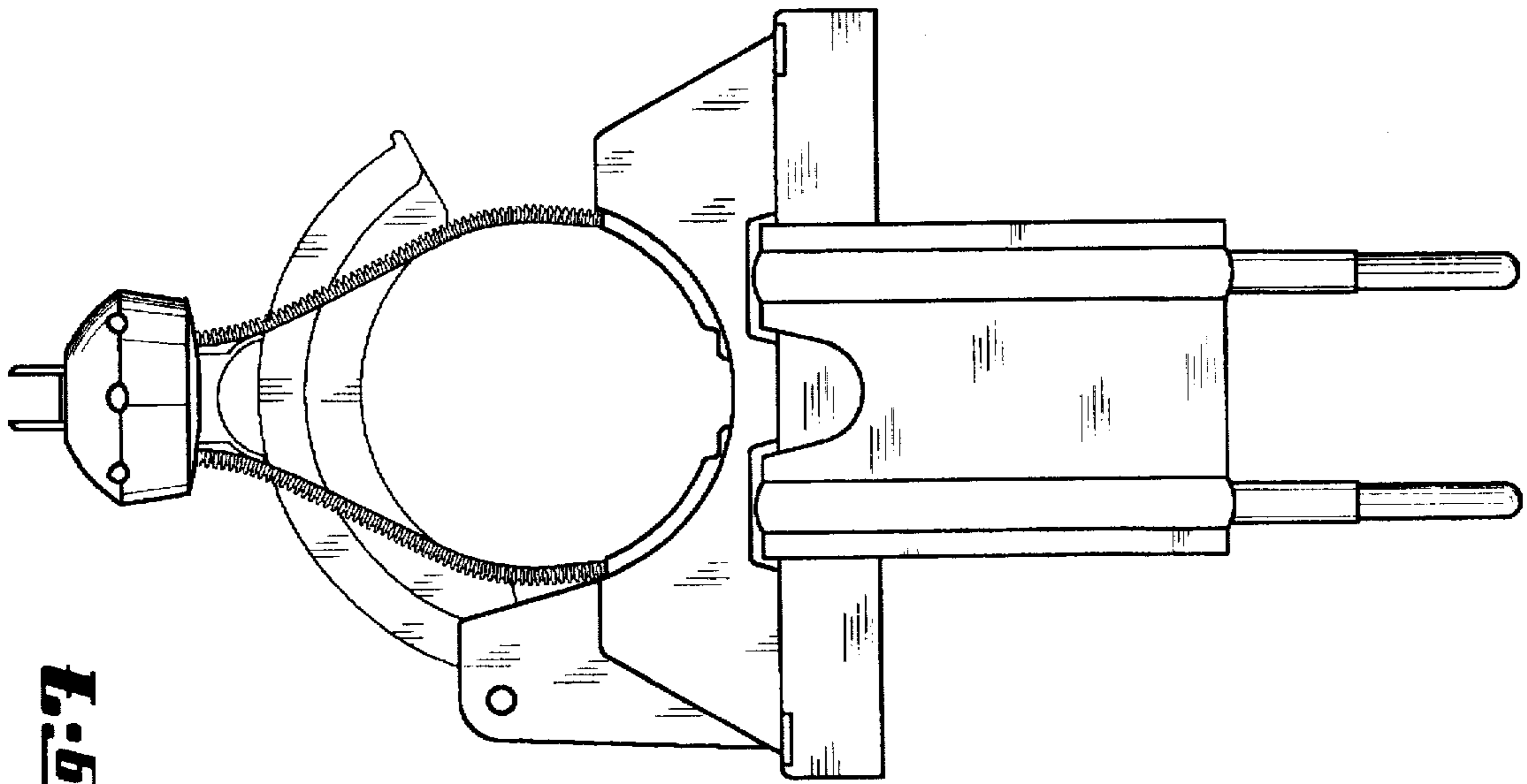


Fig. 7

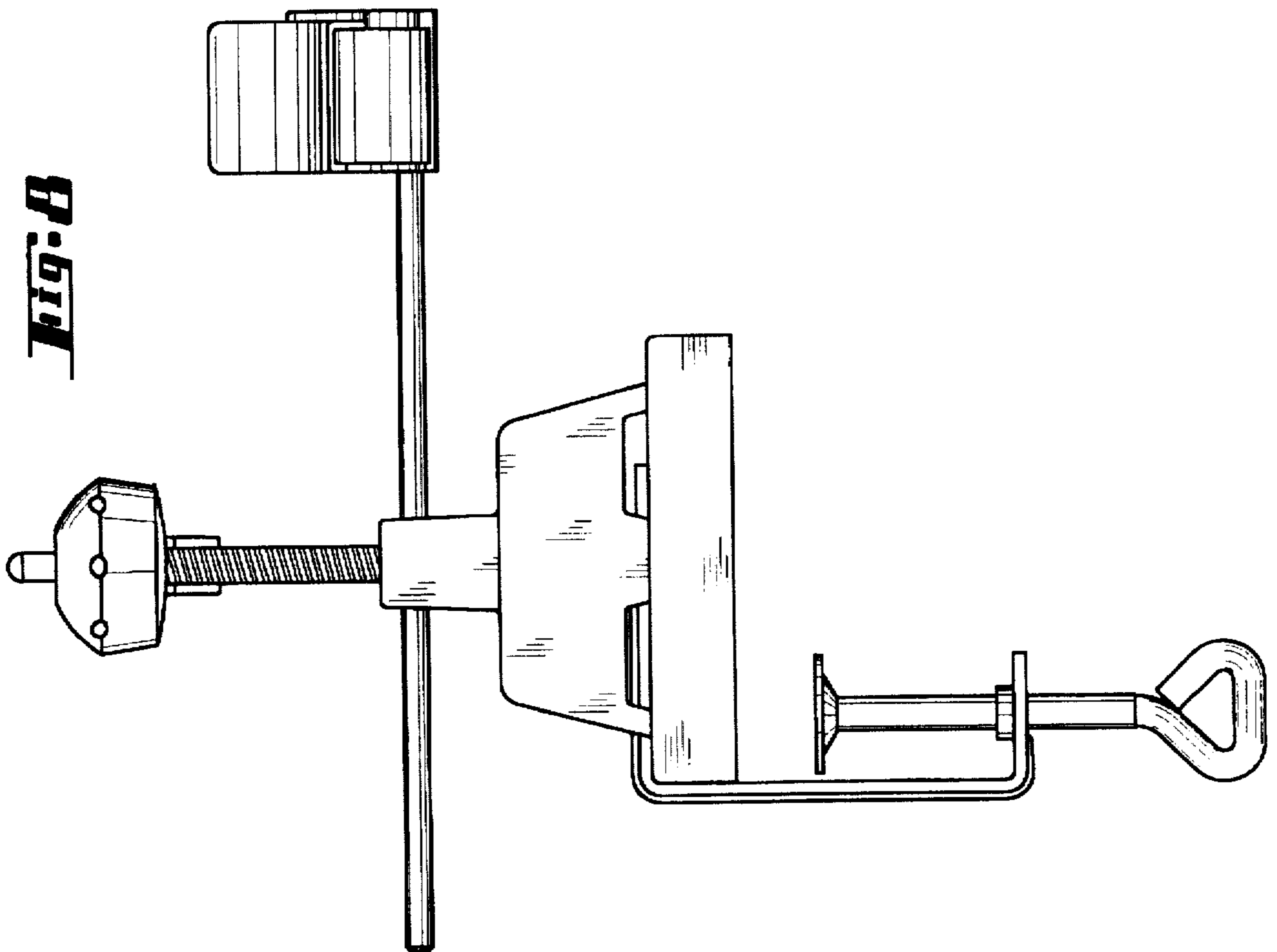


Fig. 8

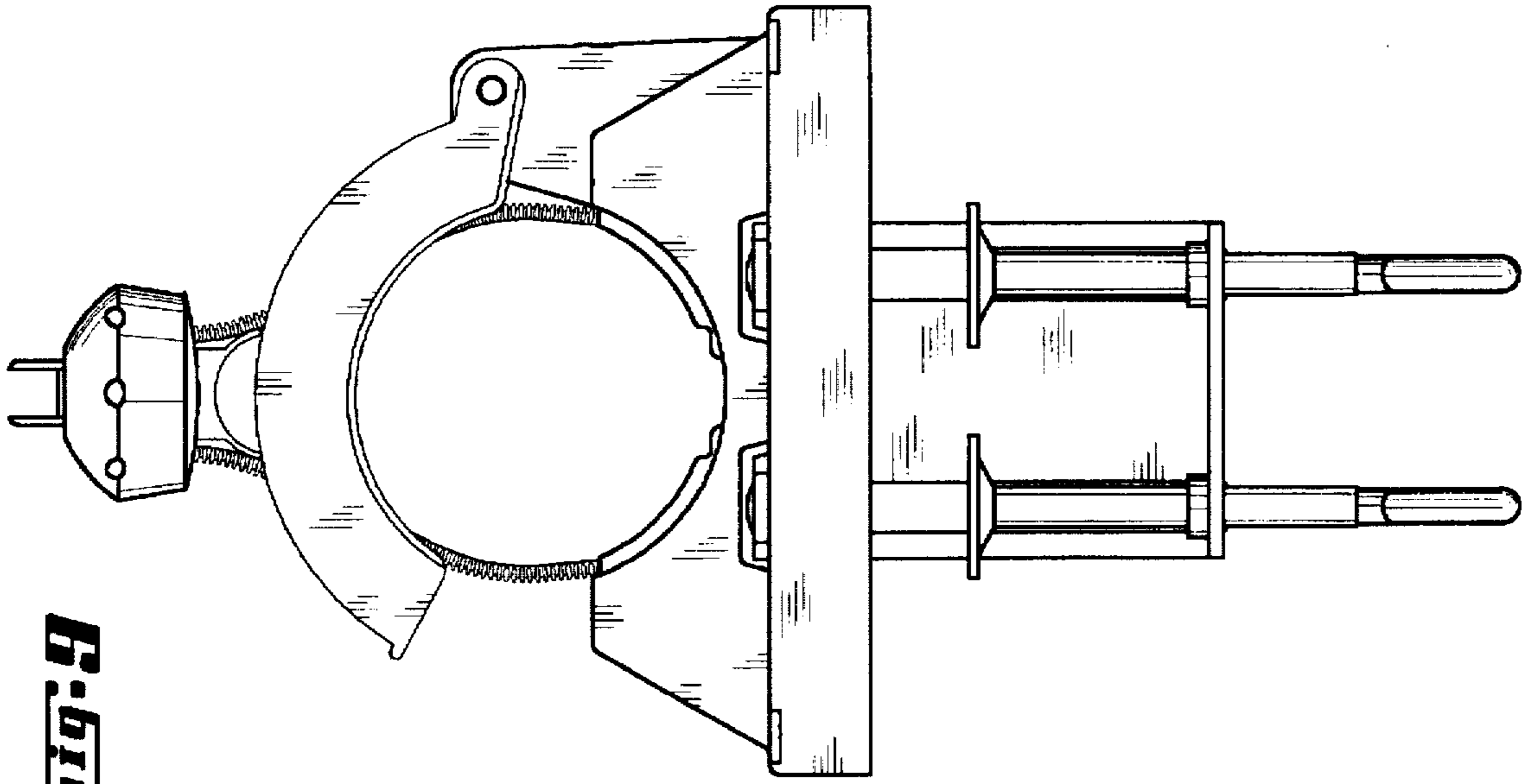


Fig. 9

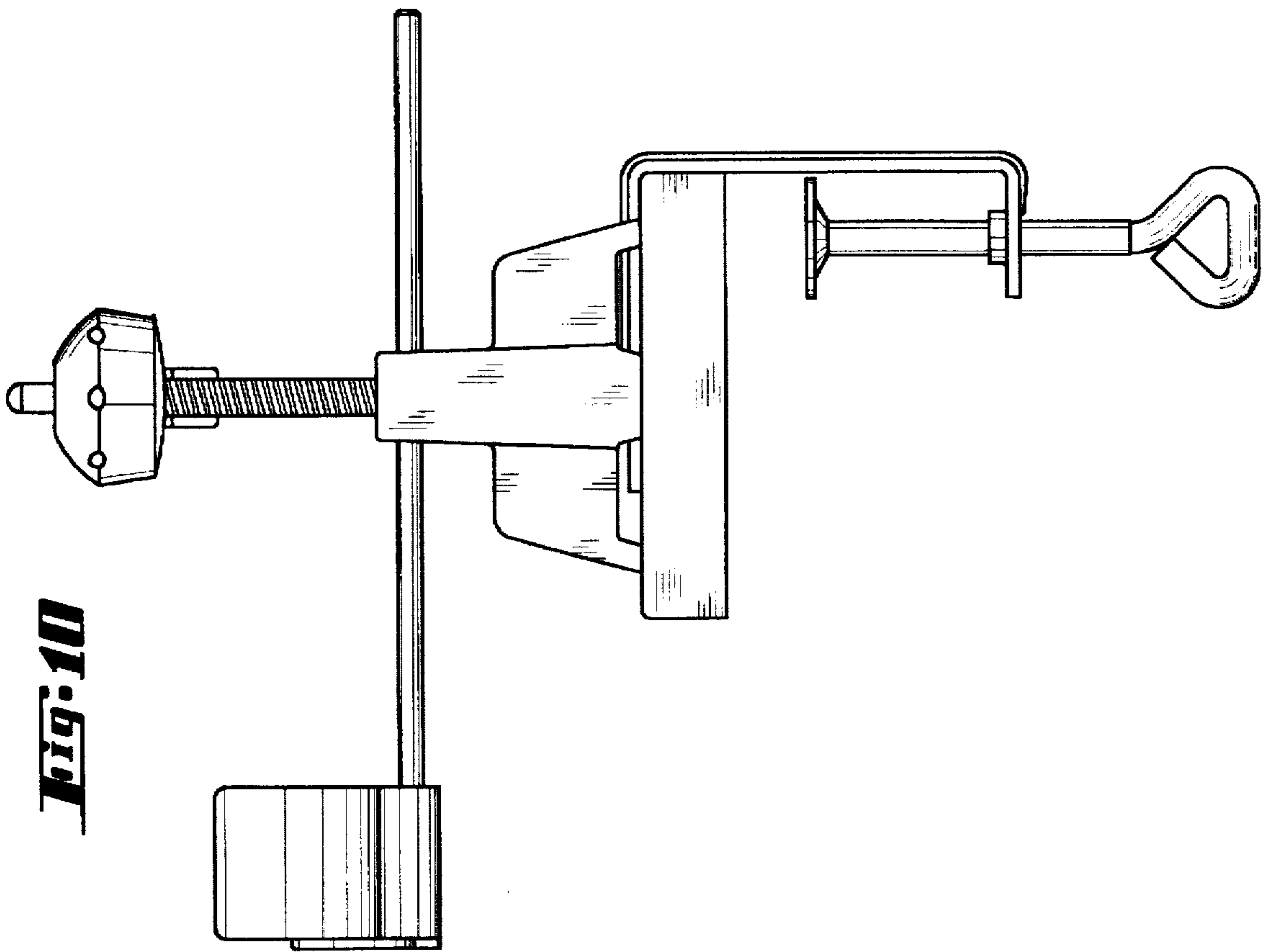


Fig. 10

Fig. 12

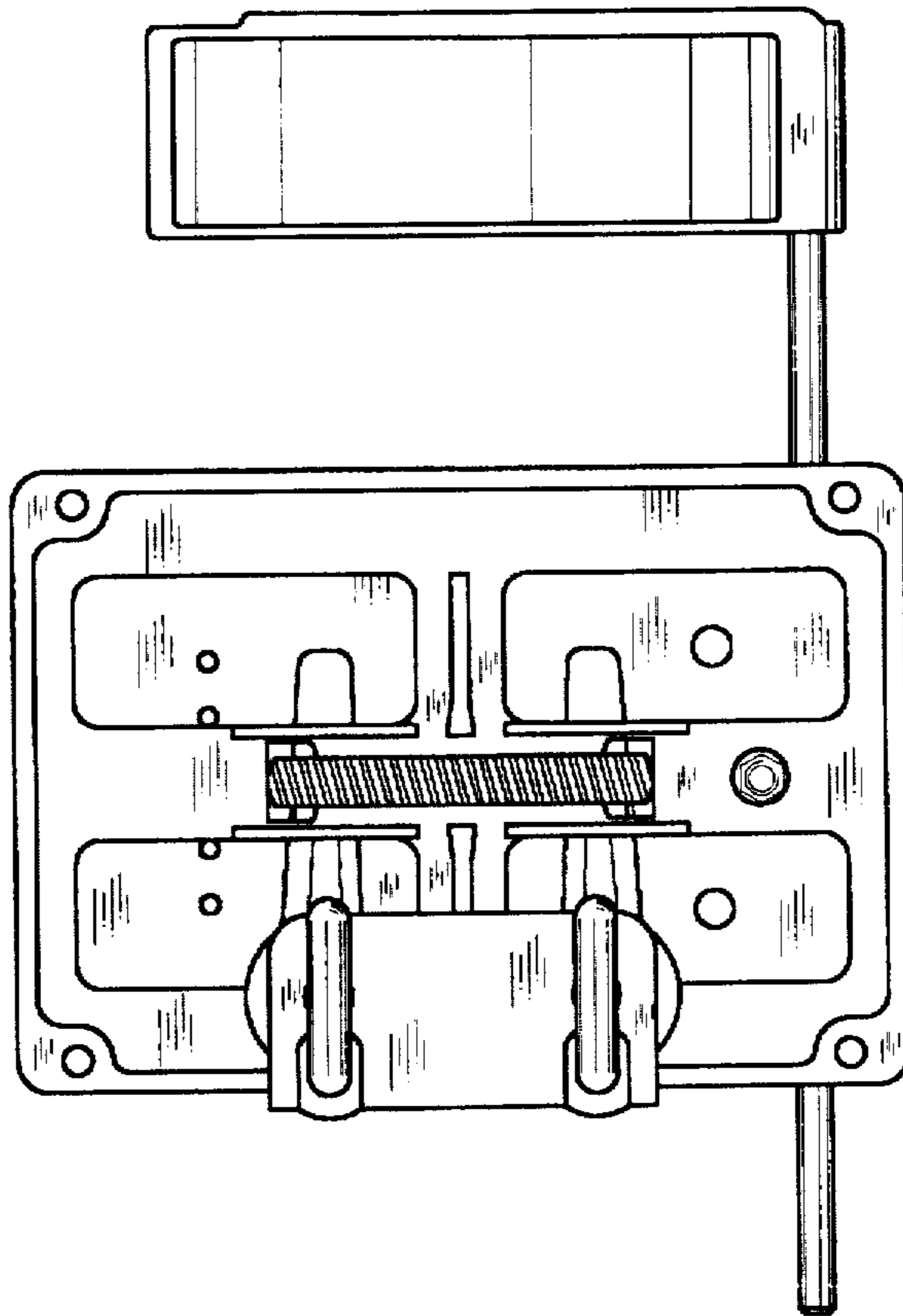


Fig. 11

