

US00D392863S

# United States Patent [19]

Sugimoto et al.

[11] Patent Number: **Des. 392,863**

[45] Date of Patent: **\*\*Mar. 31, 1998**

[54] **CORDLESS IMPACT DRIVER**

D. 382,457 8/1997 Ghode et al. .... D8/68  
4,991,472 2/1991 Hollingsworth ..... 81/464

[75] Inventors: **Manabu Sugimoto; Norifumi Niwa; Tohru Horiyama**, all of Anjo, Japan

*Primary Examiner*—Antoine Duval Davis  
*Attorney, Agent, or Firm*—Dennison, Meserole, Pollack & Scheiner

[73] Assignee: **Makita Corporation**, Aichi-ken, Japan

[\*\*] Term: **14 Years**

[57] **CLAIM**

[21] Appl. No.: **69,527**

The ornamental design for a cordless impact driver, as shown and described.

[22] Filed: **Apr. 24, 1997**

**DESCRIPTION**

[30] **Foreign Application Priority Data**

Nov. 1, 1996 [JP] Japan ..... 8-33253  
Apr. 1, 1997 [JP] Japan ..... 9-50073

FIG. 1 is a perspective view of a cordless impact driver showing our new design;  
FIG. 2 is a front elevational view thereof;  
FIG. 3 is a rear elevational view thereof;  
FIG. 4 is a left side elevational view thereof;  
FIG. 5 is a right side elevational view thereof;  
FIG. 6 is a top plan view thereof;  
FIG. 7 is a bottom plan view thereof;  
FIG. 8 is a perspective view of a second embodiment of the cordless impact driver shown in FIG. 1;  
FIG. 9 is a front elevational view thereof;  
FIG. 10 is a rear elevational view thereof;  
FIG. 11 is a left side elevational view thereof;  
FIG. 12 is a right side elevational view thereof;  
FIG. 13 is a top plan view thereof; and  
FIG. 14 is a bottom plan view thereof.

[51] **LOC (6) Cl.** ..... **08-03**

[52] **U.S. Cl.** ..... **D8/68**

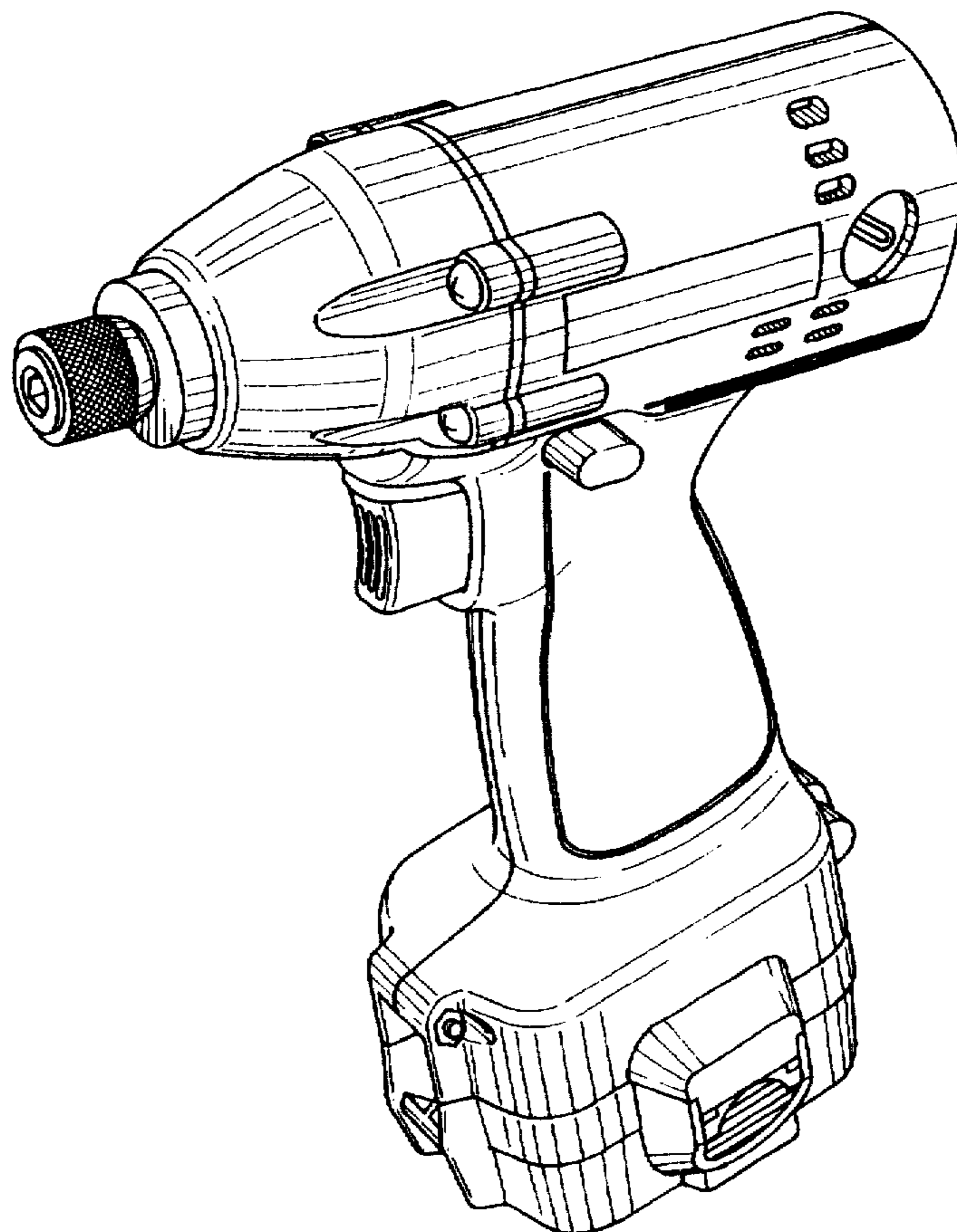
[58] **Field of Search** ..... D8/61, 68, 69;  
81/57.11, 57.14, 57.13, 177.6, 177.4, 436,  
438, 463; 178/170, 217

[56] **References Cited**

**U.S. PATENT DOCUMENTS**

D. 320,917 10/1991 Fushiya et al. .... D8/68  
D. 339,046 9/1993 Fushiya et al. .... D8/68  
D. 340,394 10/1993 Okumura ..... D8/68  
D. 340,396 10/1993 Ichikawa ..... D8/68  
D. 342,430 12/1993 Saito et al. .... D8/68  
D. 378,268 3/1997 Schultz ..... D8/68

**1 Claim, 10 Drawing Sheets**



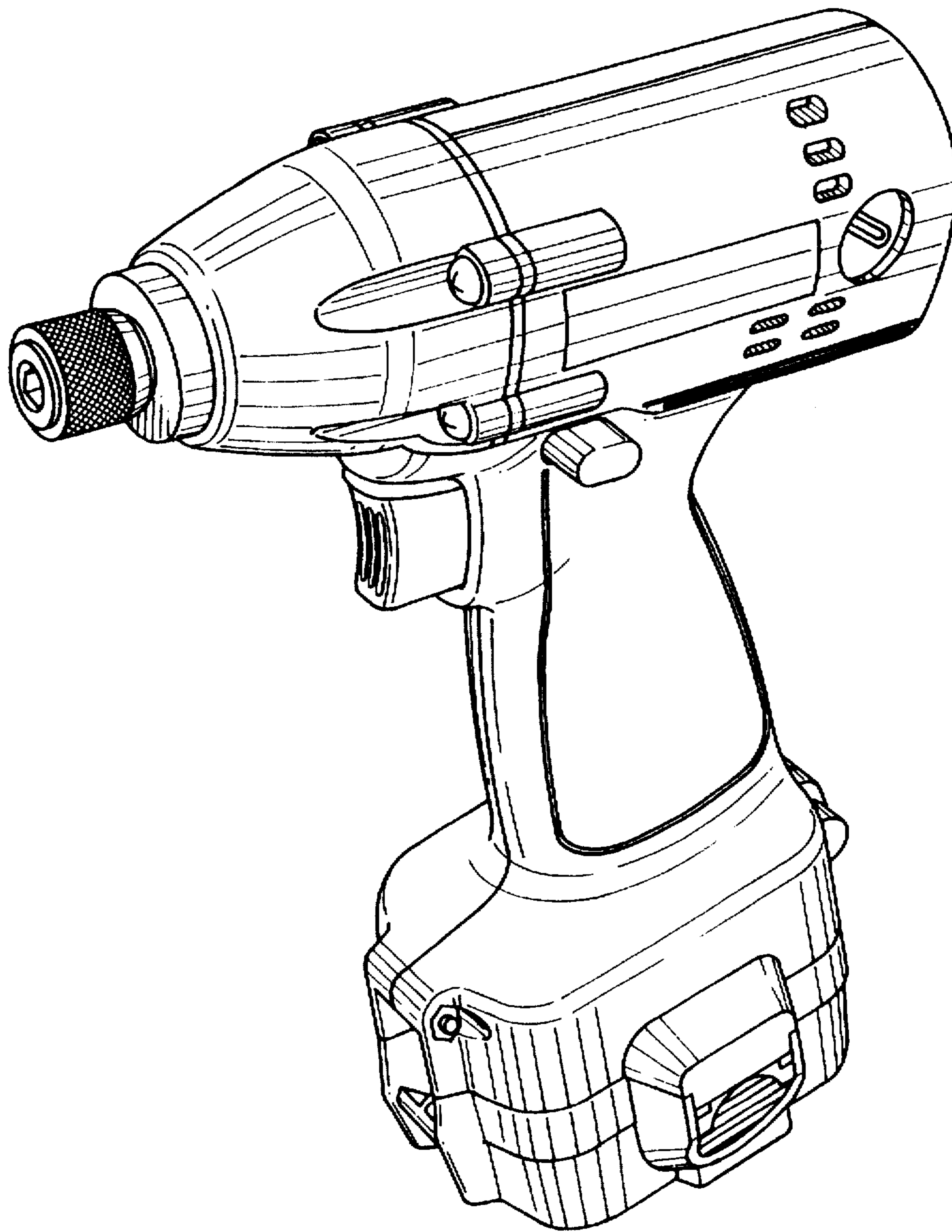


FIG. 1

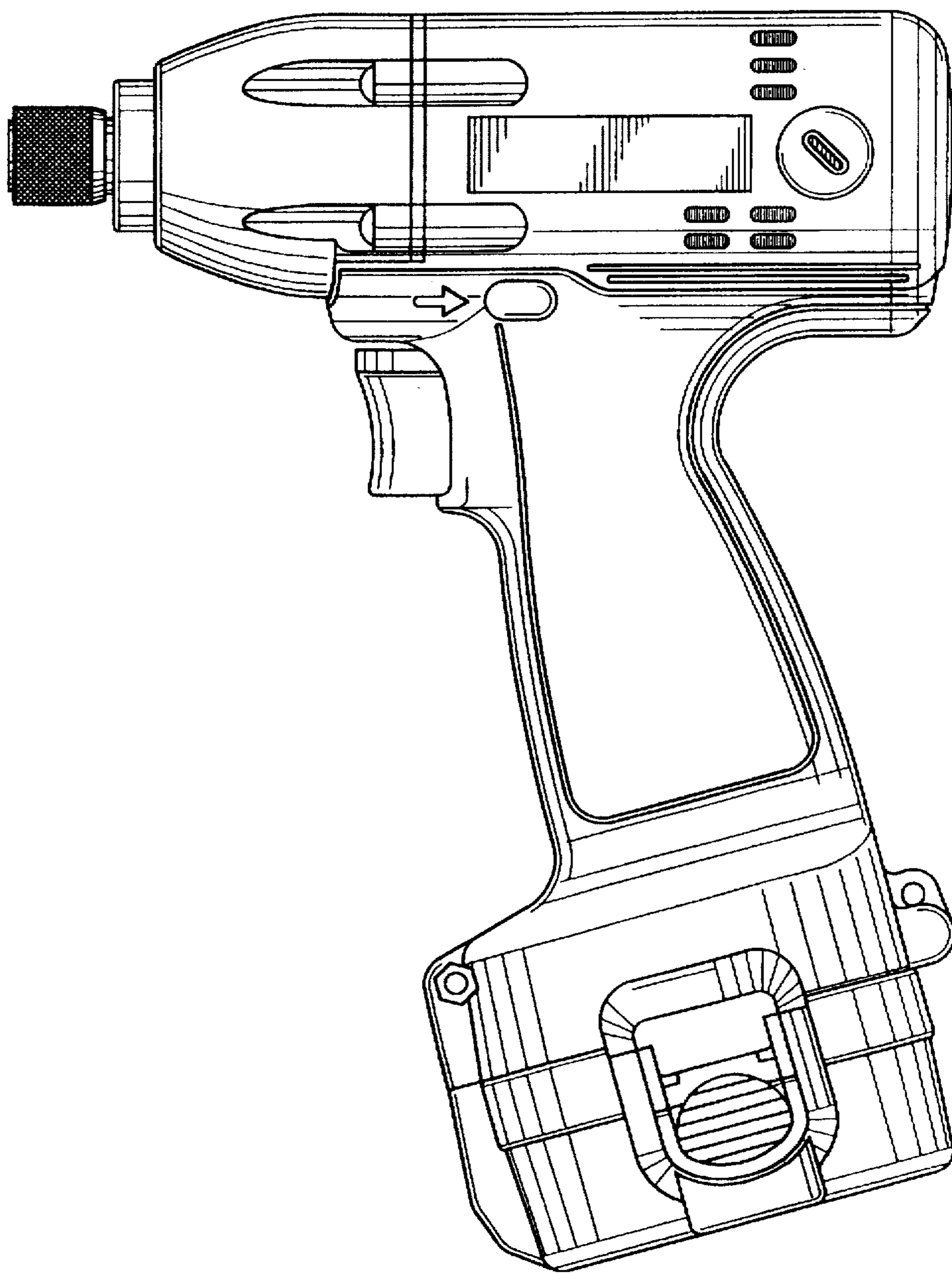


FIG. 2

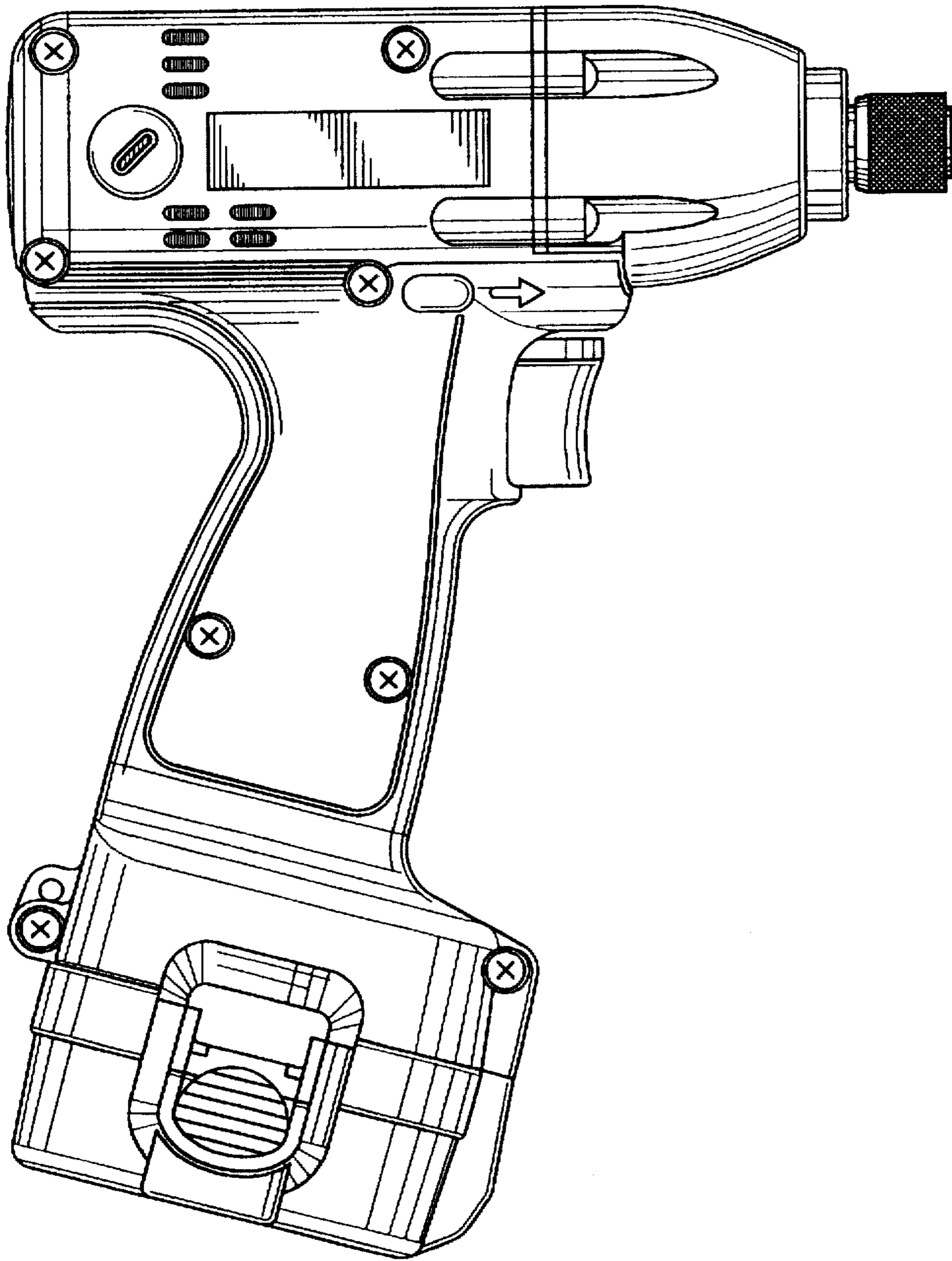


FIG. 3

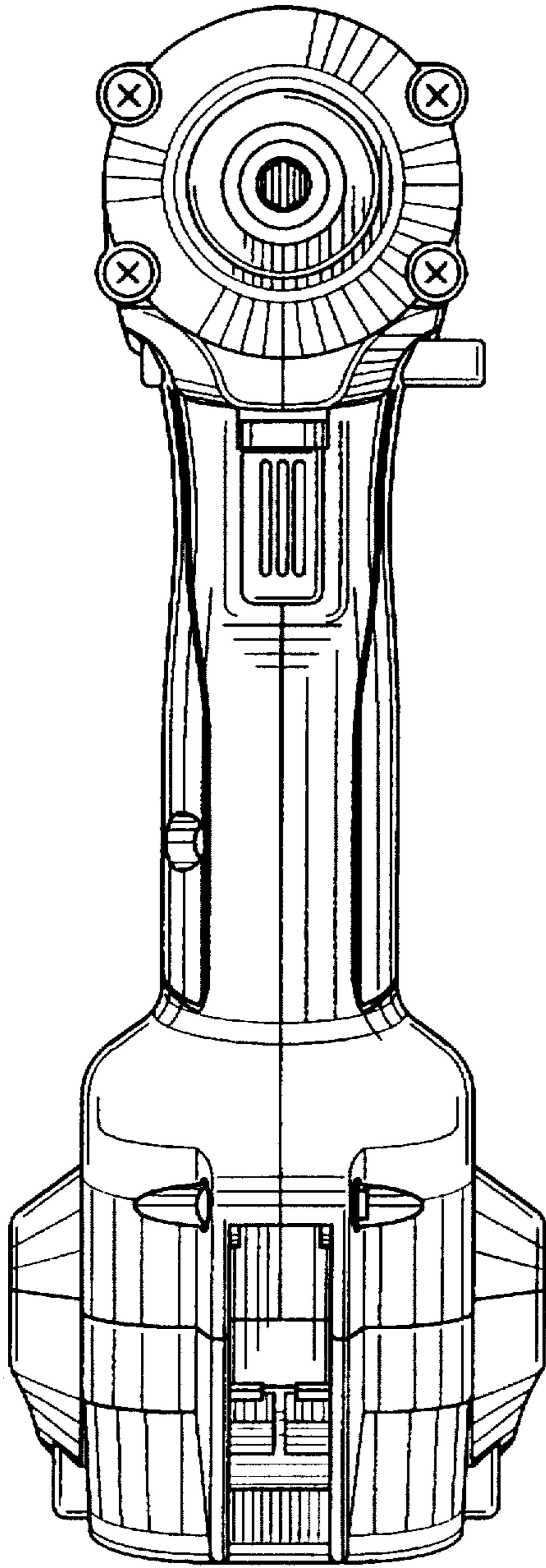


FIG. 4

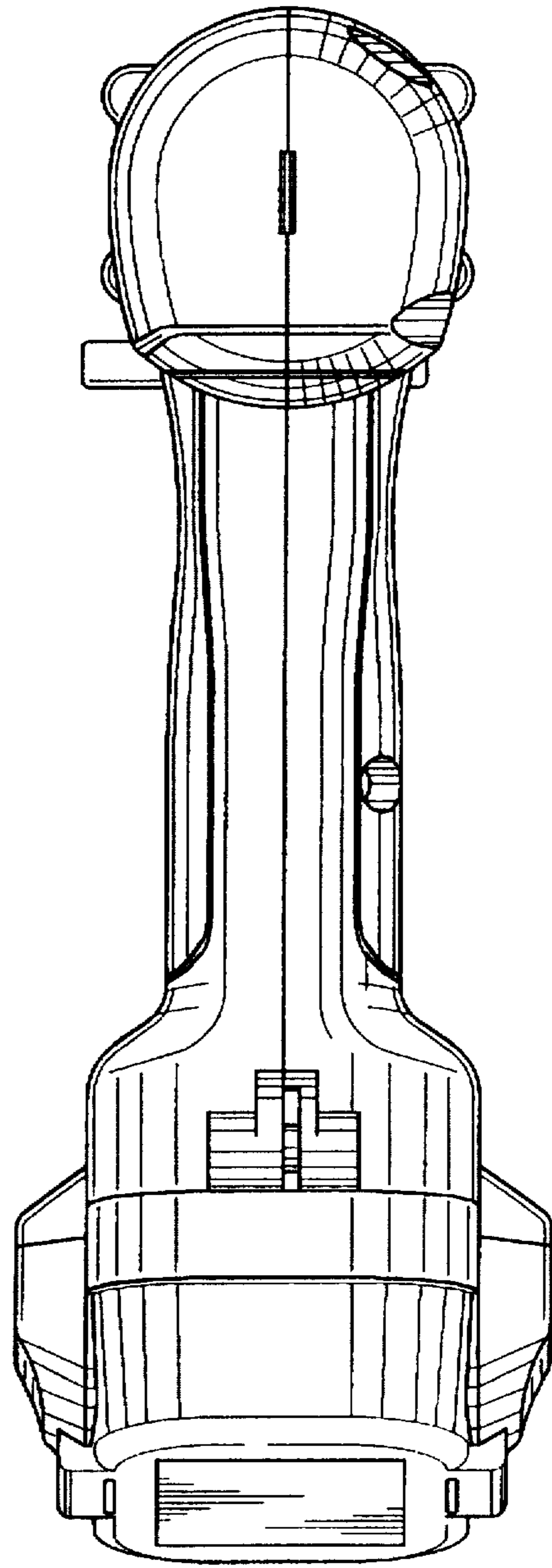


FIG. 5

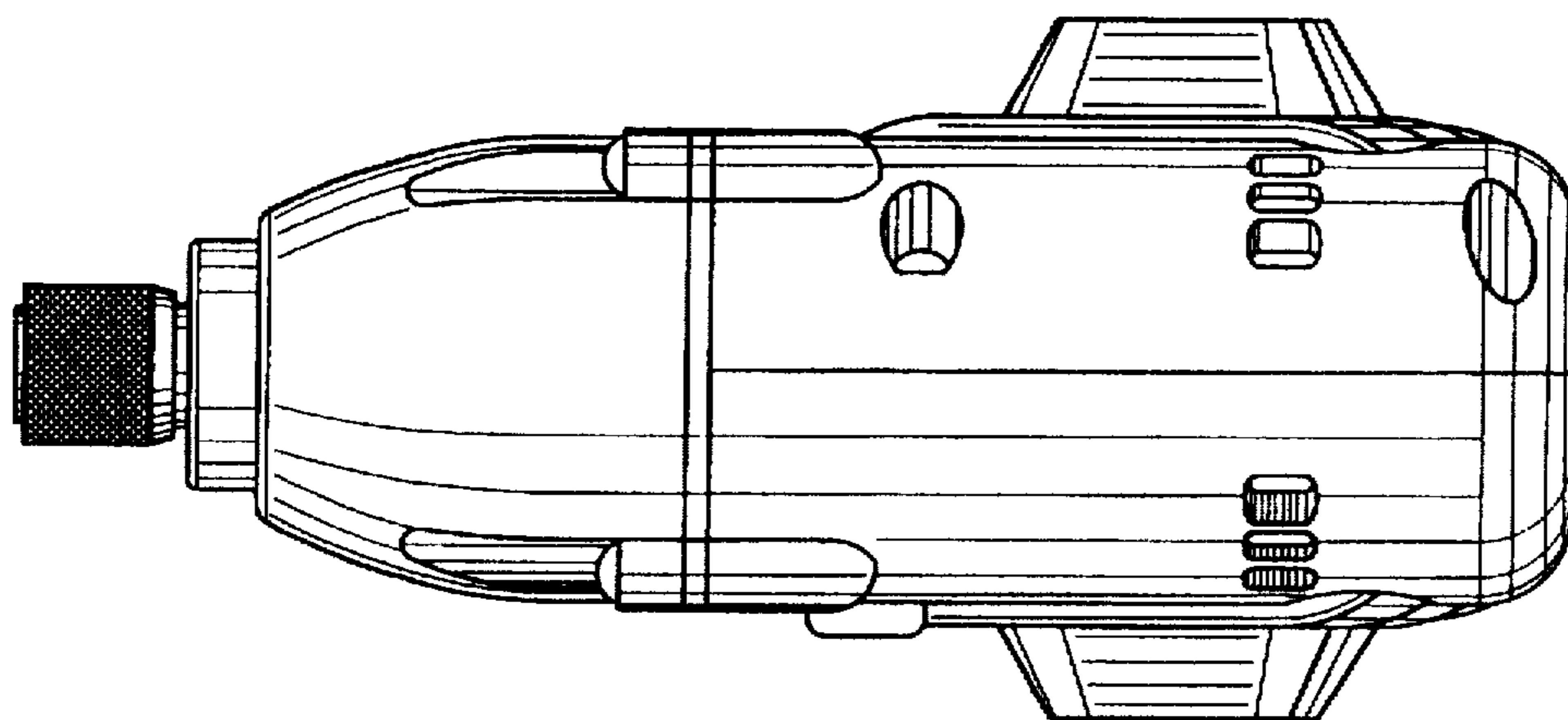


FIG. 6

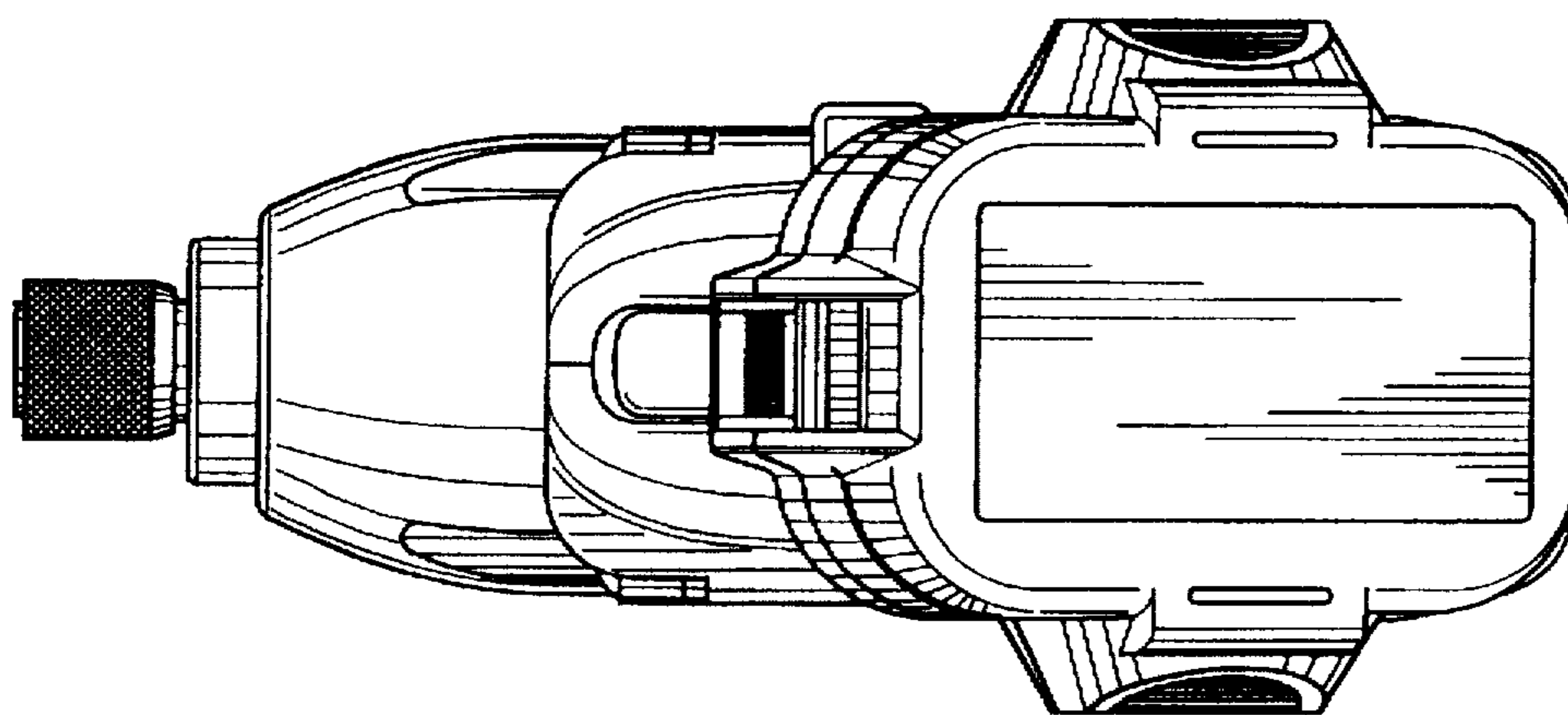


FIG. 7

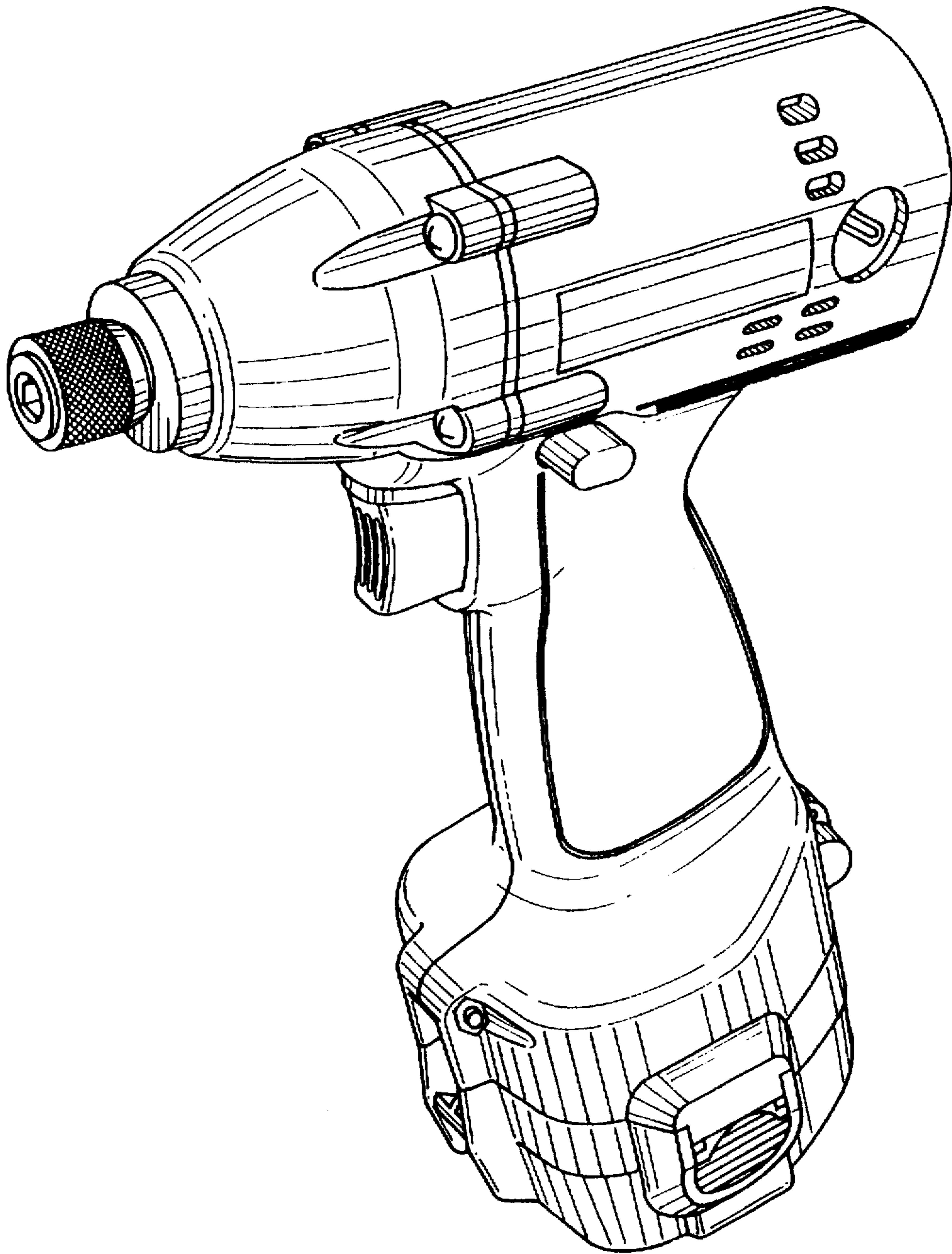


FIG. 8

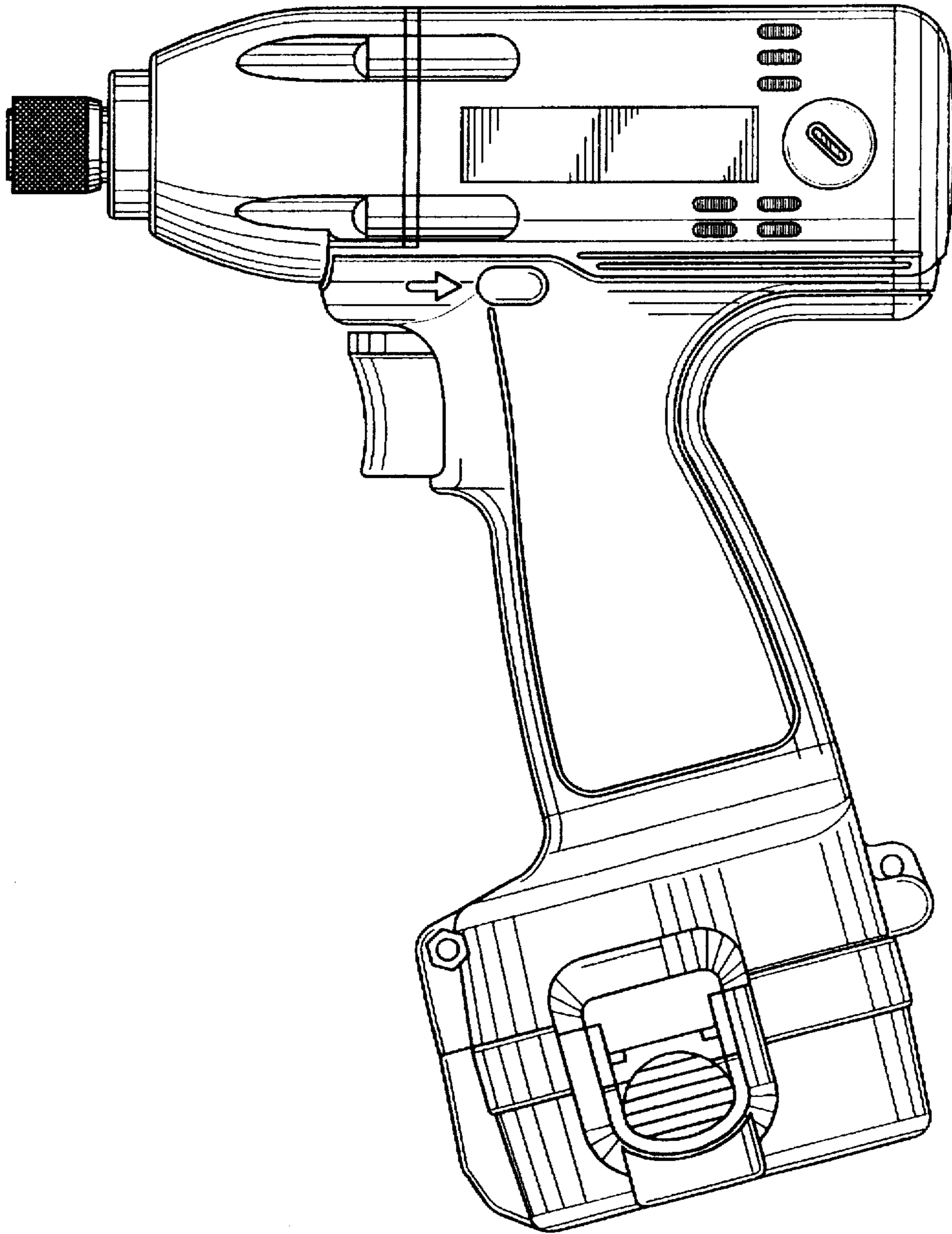


FIG. 9



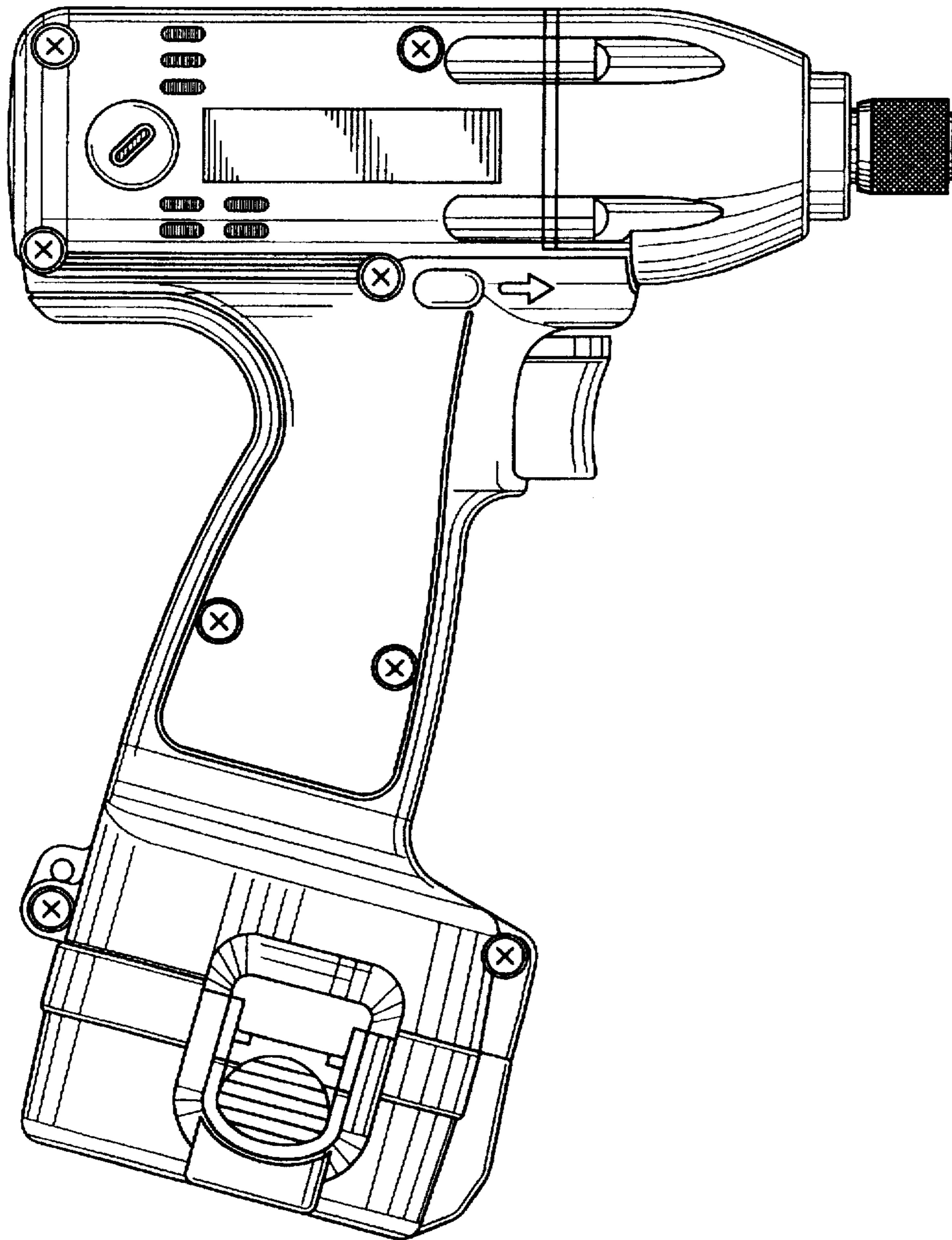


FIG. 10

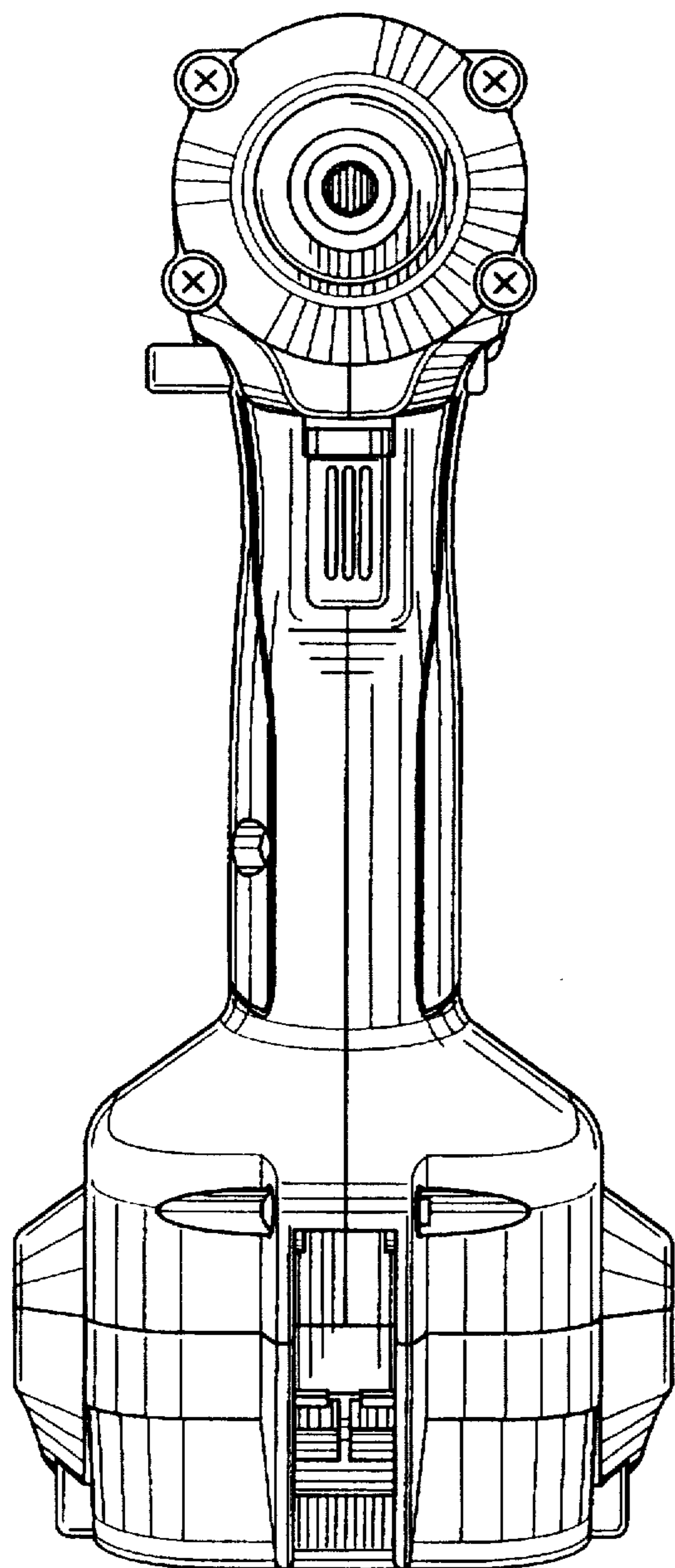


FIG. 11

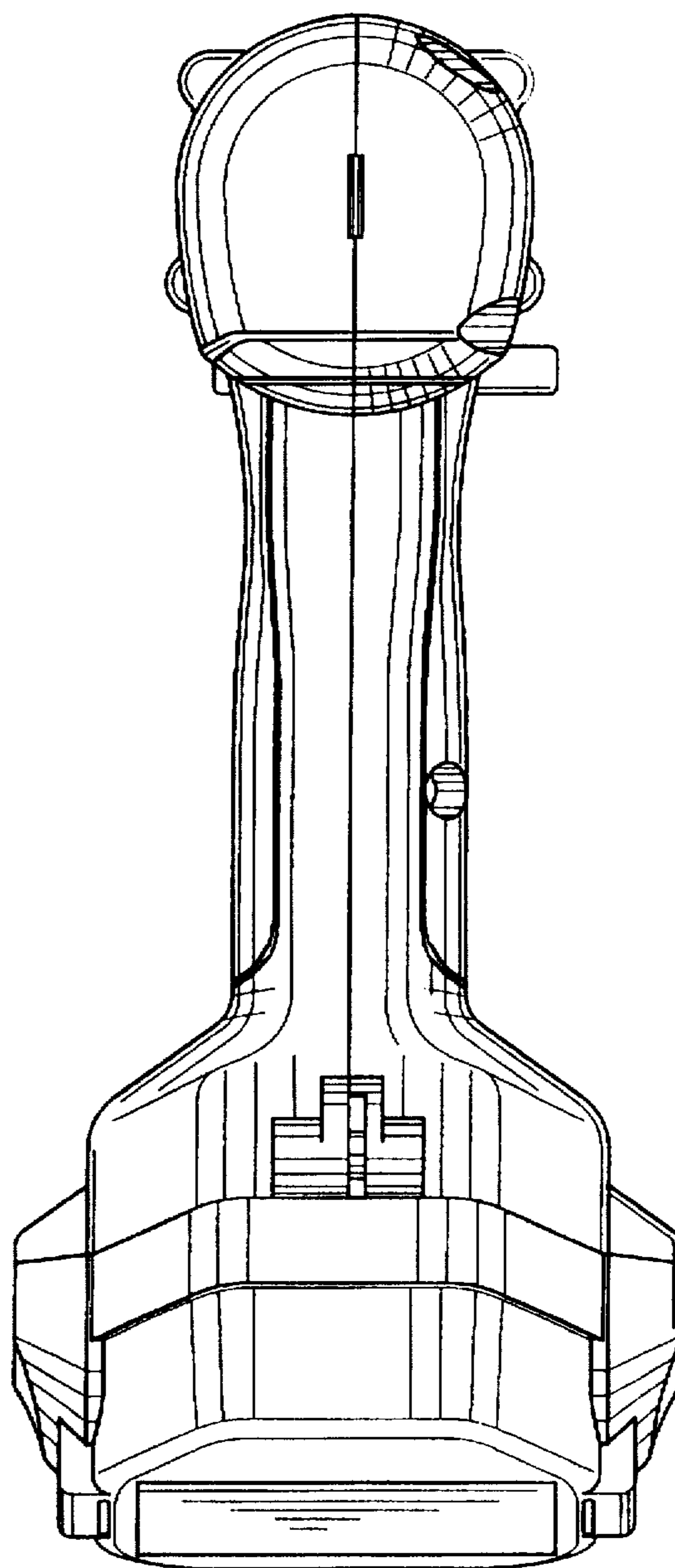


FIG. 12

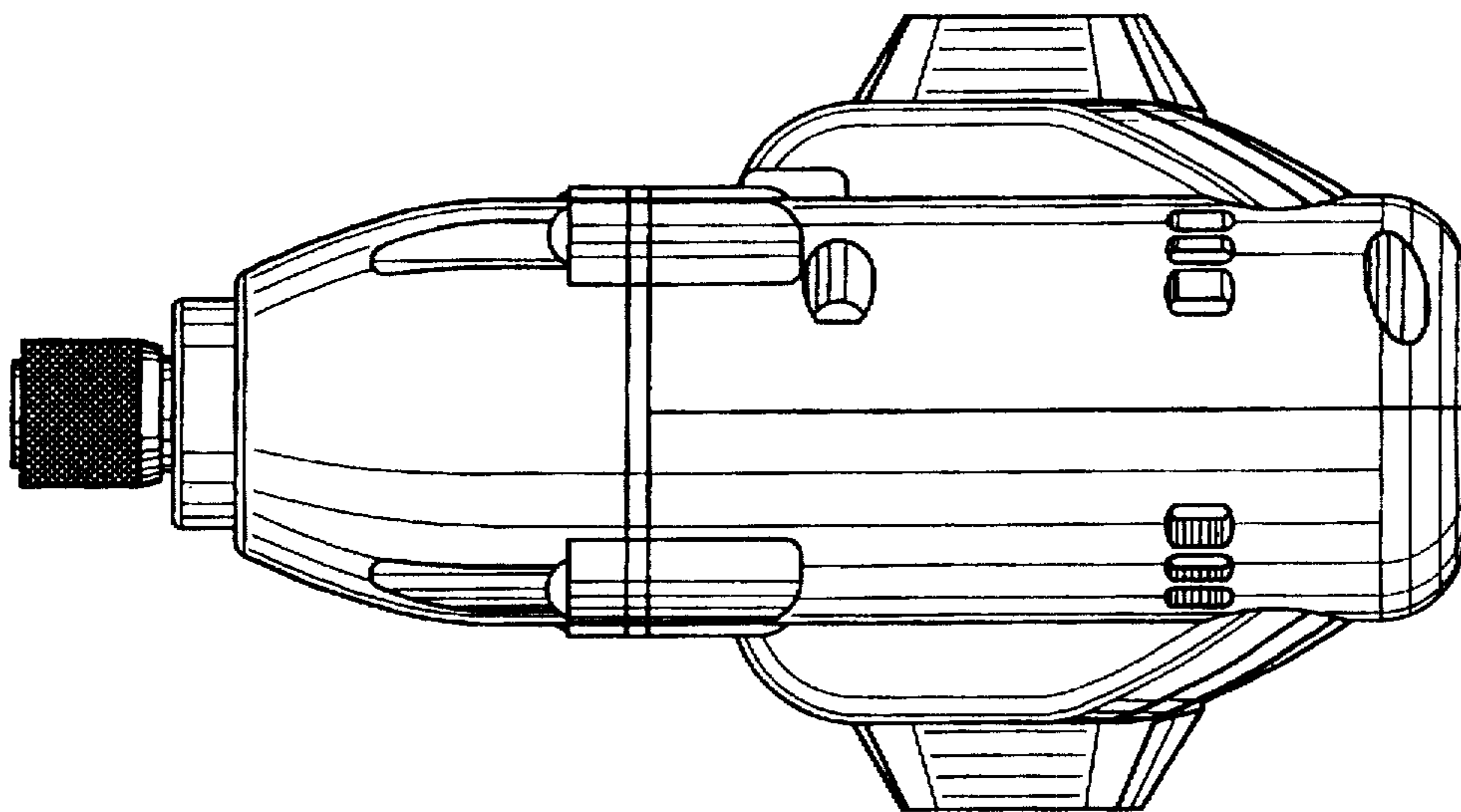


FIG. 13

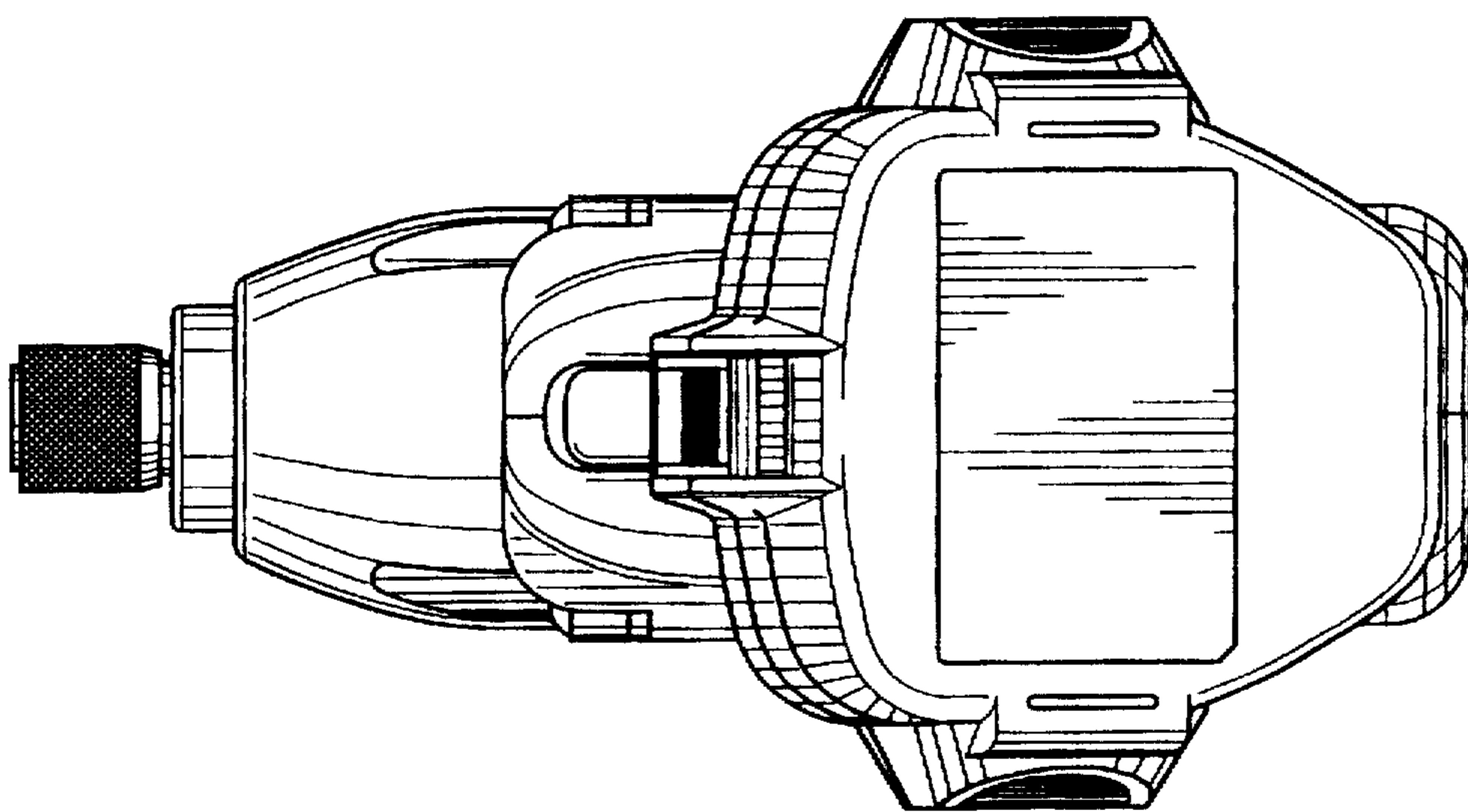


FIG. 14