



US00D392862S

# United States Patent [19]

Kaiser et al.

[11] Patent Number: Des. 392,862

[45] Date of Patent: \*\*Mar. 31, 1998

[54] COLLATED SCREW GUN

4,774,863 10/1988 Geist ..... 81/434  
5,027,679 7/1991 Kawashima ..... 81/434

[75] Inventors: **David W. Kaiser**, North Haven;  
**Timothy O. VanLeeuwen**, Brookfield,  
both of Conn.; **David B. Jalbert**,  
Coventry; **David J. Buzzeo**, Warwick,  
both of R.I.

*Primary Examiner*—Antoine Duval Davis  
*Attorney, Agent, or Firm*—Cushman, Darby & Cushman IP  
Group of Pillsbury, Madison & Sutro LLP

[73] Assignee: **Stanley-Bostitch, Inc.**, East Greenwich,  
R.I.

[57] CLAIM

The ornamental design for a collated screw gun, as shown  
and described.

[\*\*] Term: 14 Years

DESCRIPTION

[21] Appl. No.: 63,298

FIG. 1 is a top plan view of a collated screw tool showing  
my new design;

[22] Filed: Dec. 4, 1996

FIG. 2 is a bottom plan view thereof;

[51] LOC (6) Cl. .... 08-04

FIG. 3 is a front elevational view thereof;

[52] U.S. Cl. .... D8/68

FIG. 4 is a rear elevational view thereof;

[58] Field of Search ..... D8/68; 81/57.13,  
81/57.14, 58.1, 59.1, 62, 63.1; 173/120;  
408/124, 125

FIG. 5 is a right side elevational view thereof;

FIG. 6 is a left side elevational view thereof;

FIG. 7 is a right perspective view thereof, looking at the top,  
rear and right side; and,

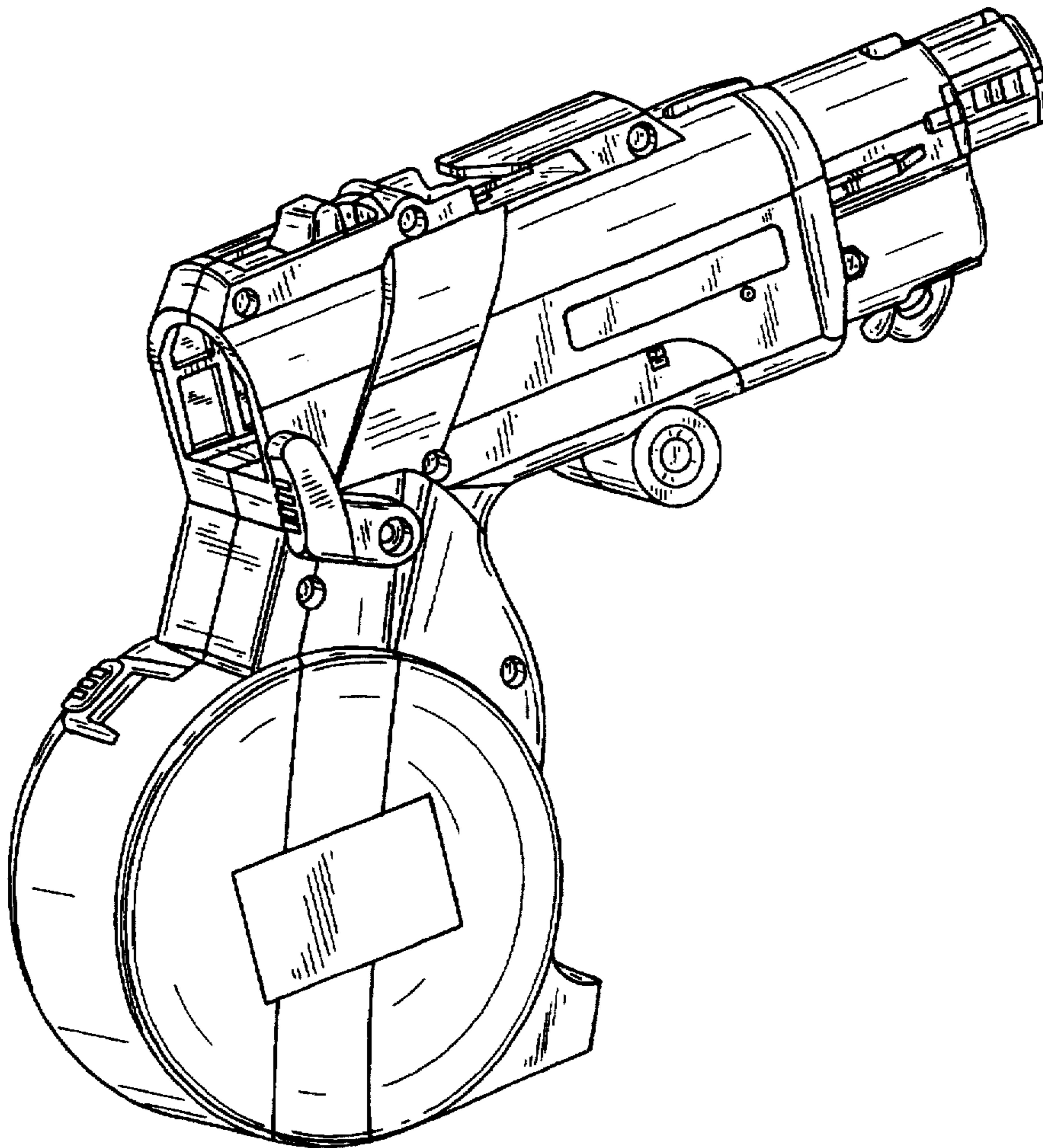
FIG. 8 is a perspective view thereof, looking at the top, front  
and left side.

[56] References Cited

U.S. PATENT DOCUMENTS

D. 337,038 7/1993 Sakamoto et al. .... D8/68

1 Claim, 8 Drawing Sheets



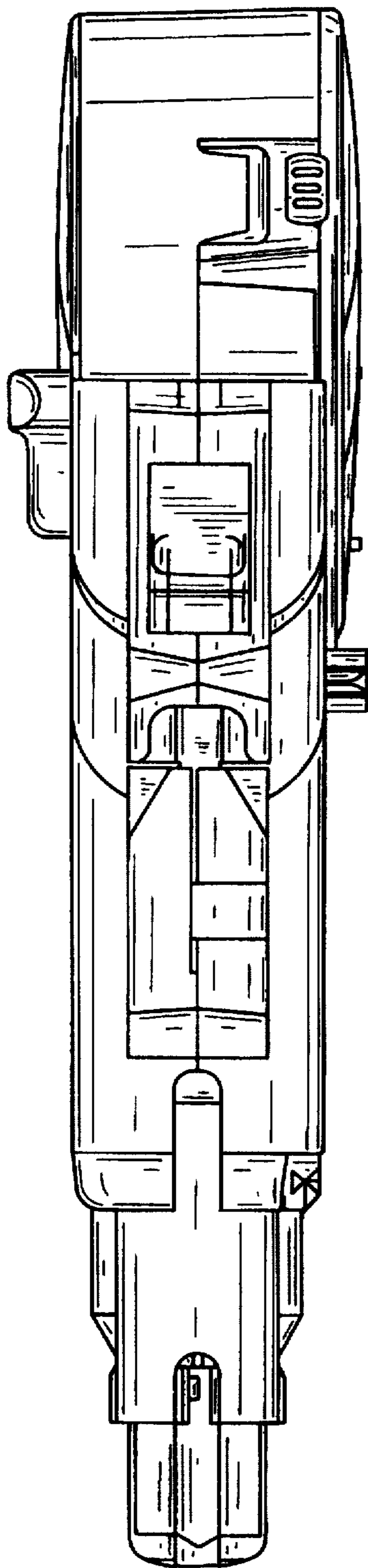


FIG. 1

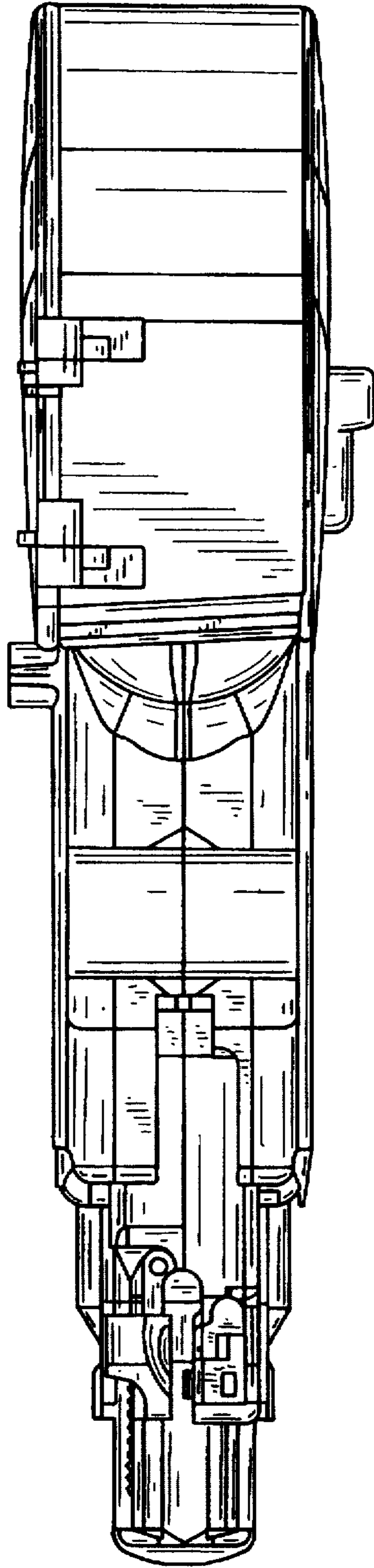


FIG. 2

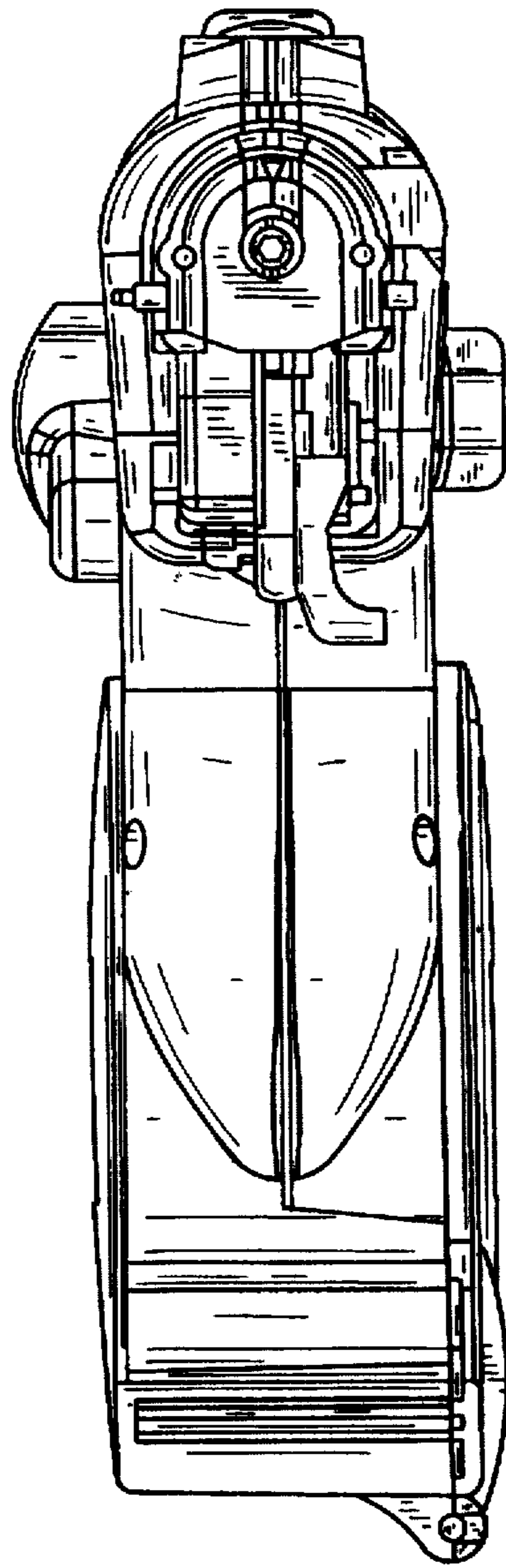


FIG. 3

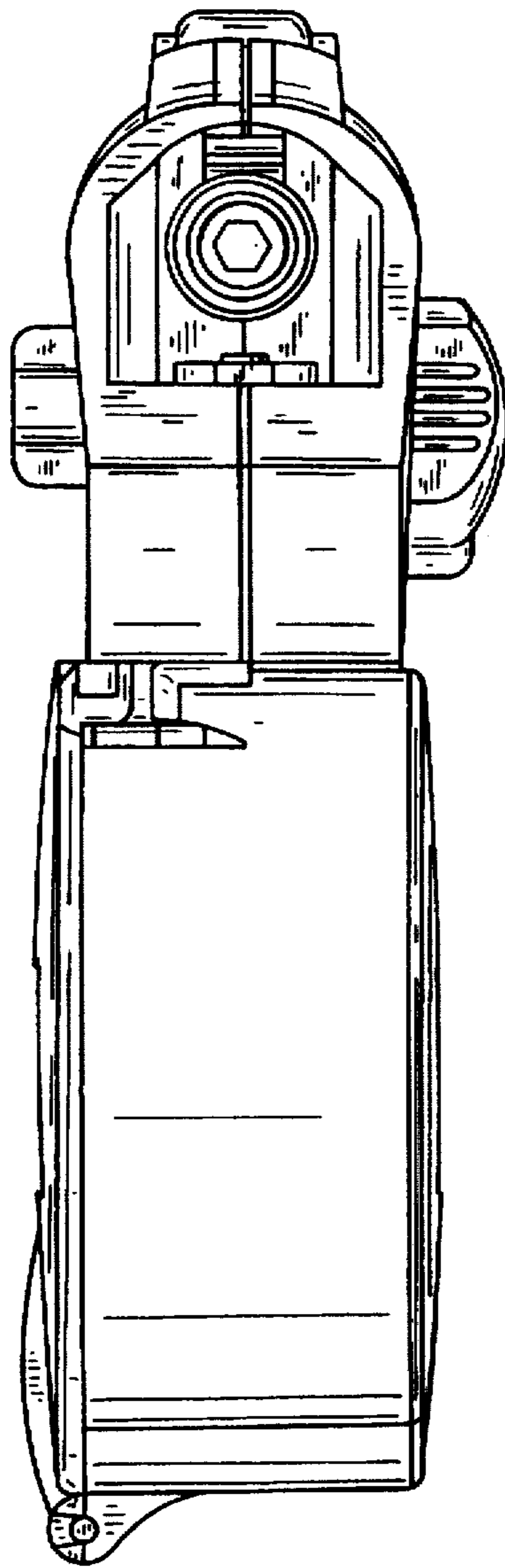


FIG. 4

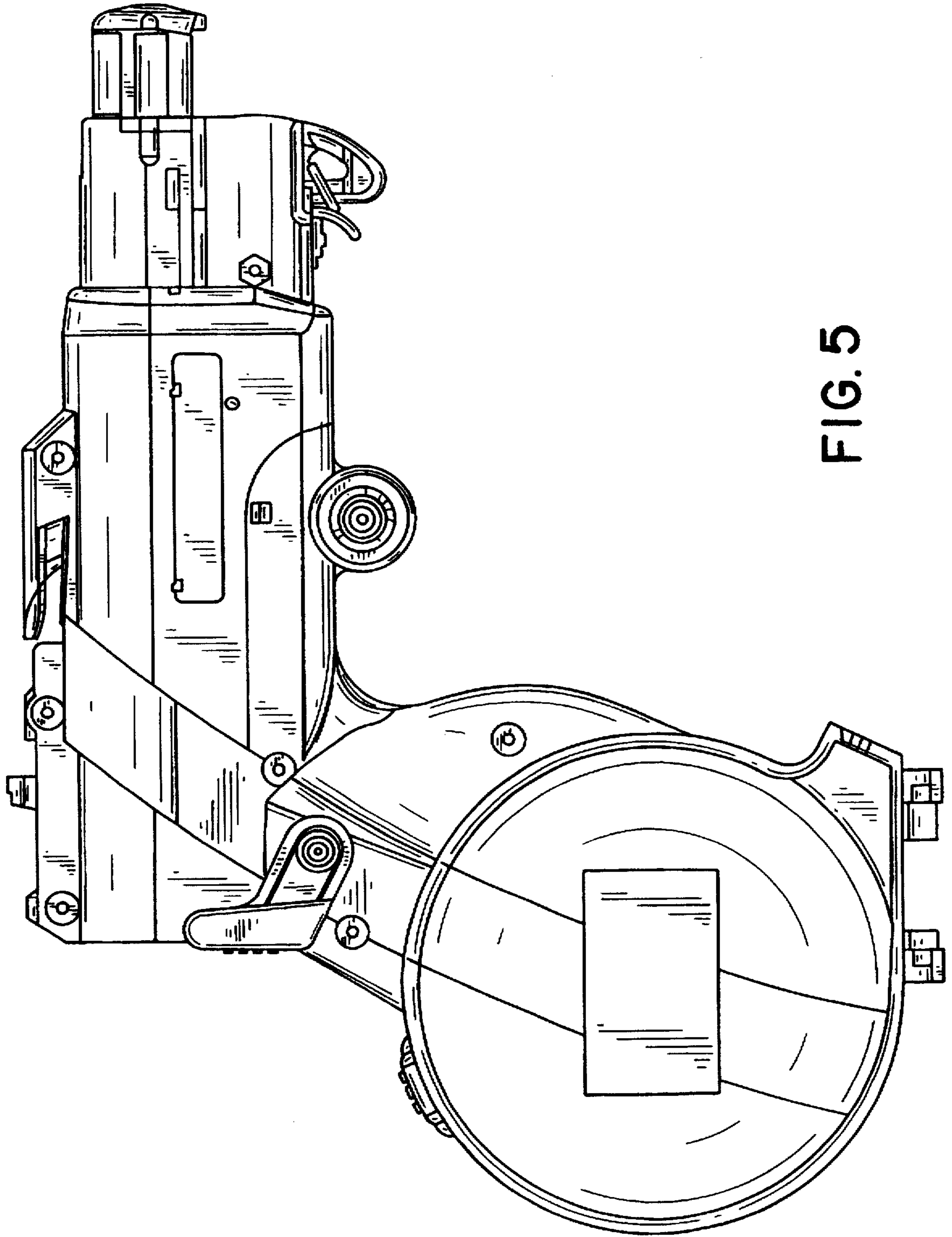


FIG. 5

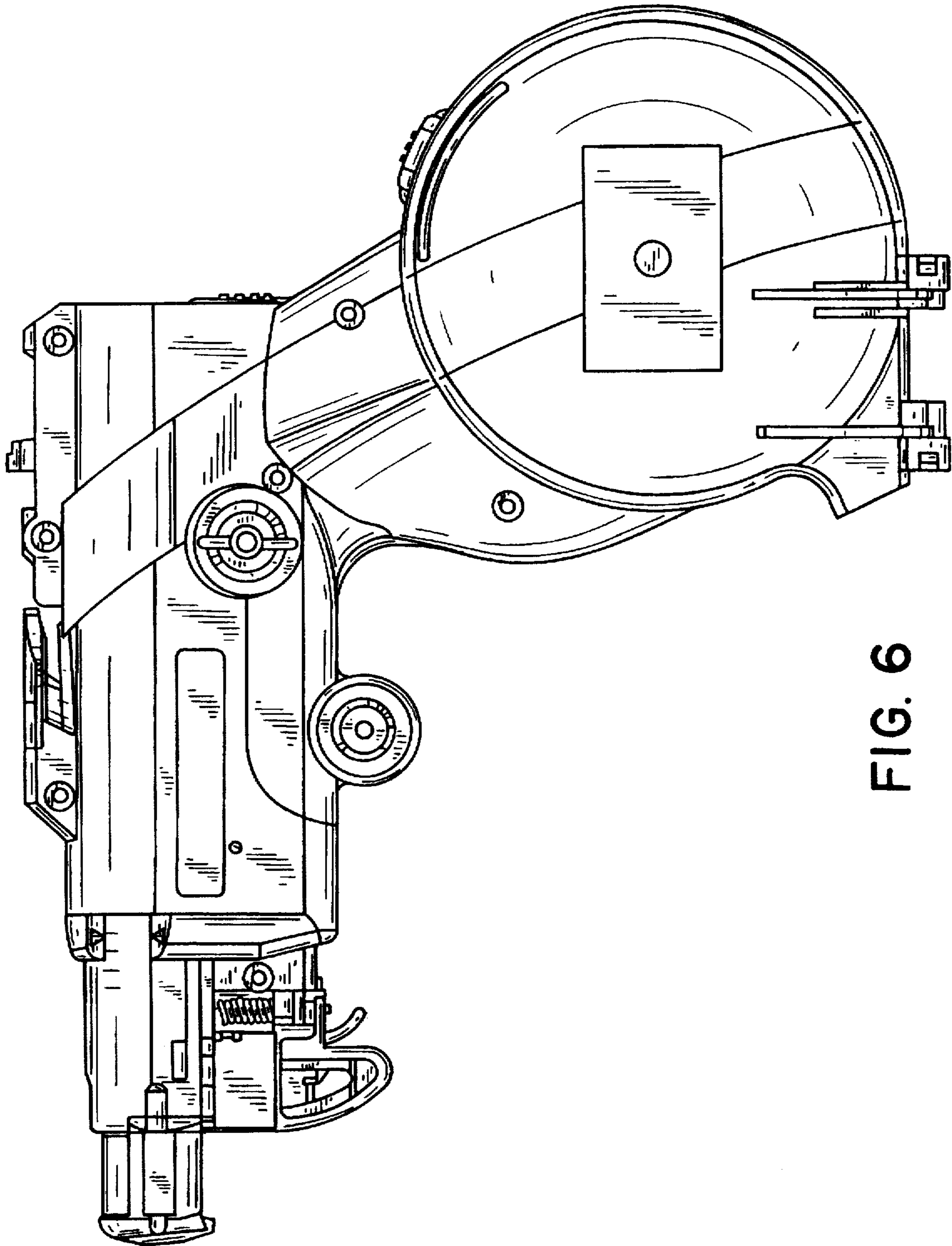


FIG. 6

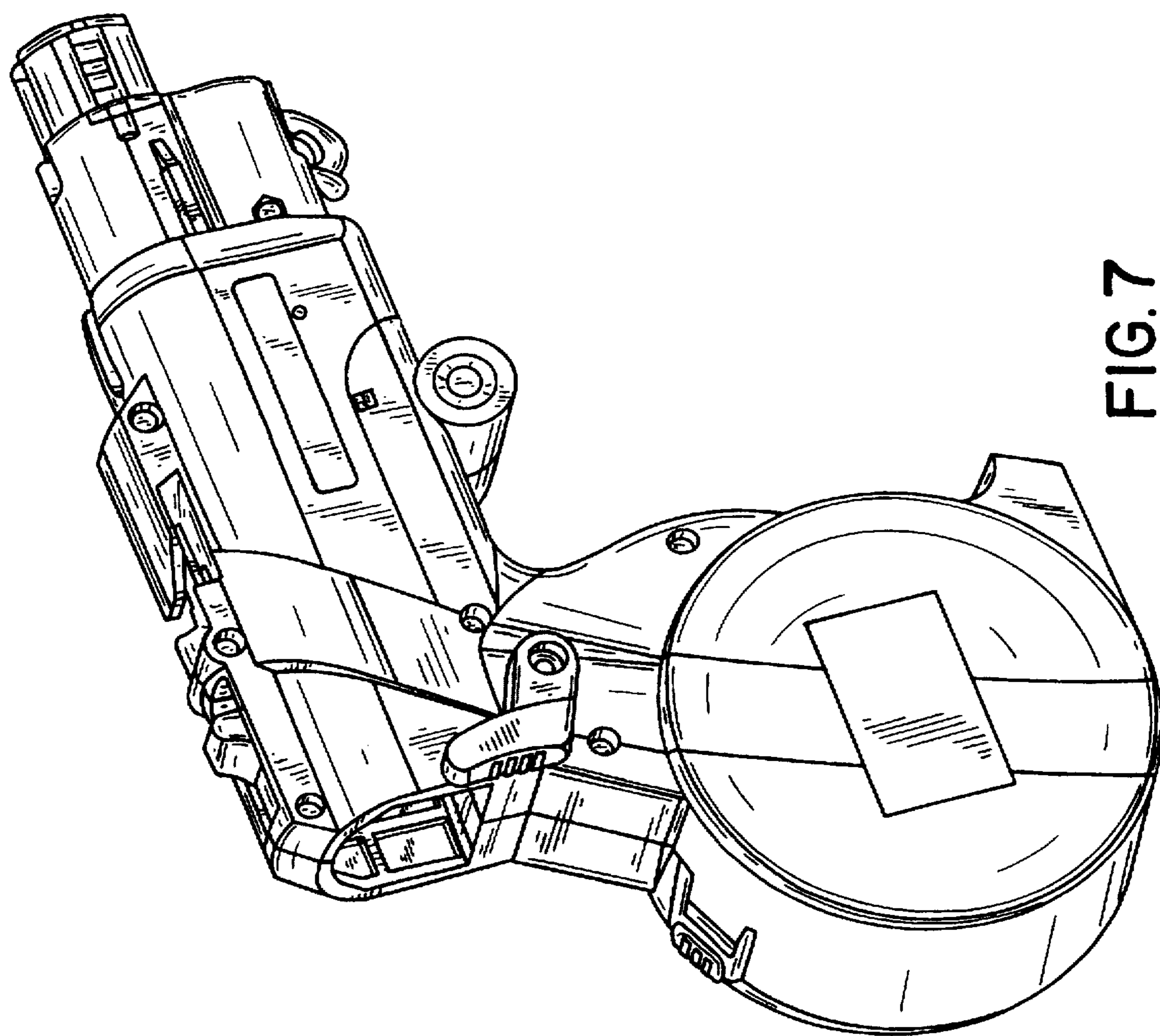


FIG. 7



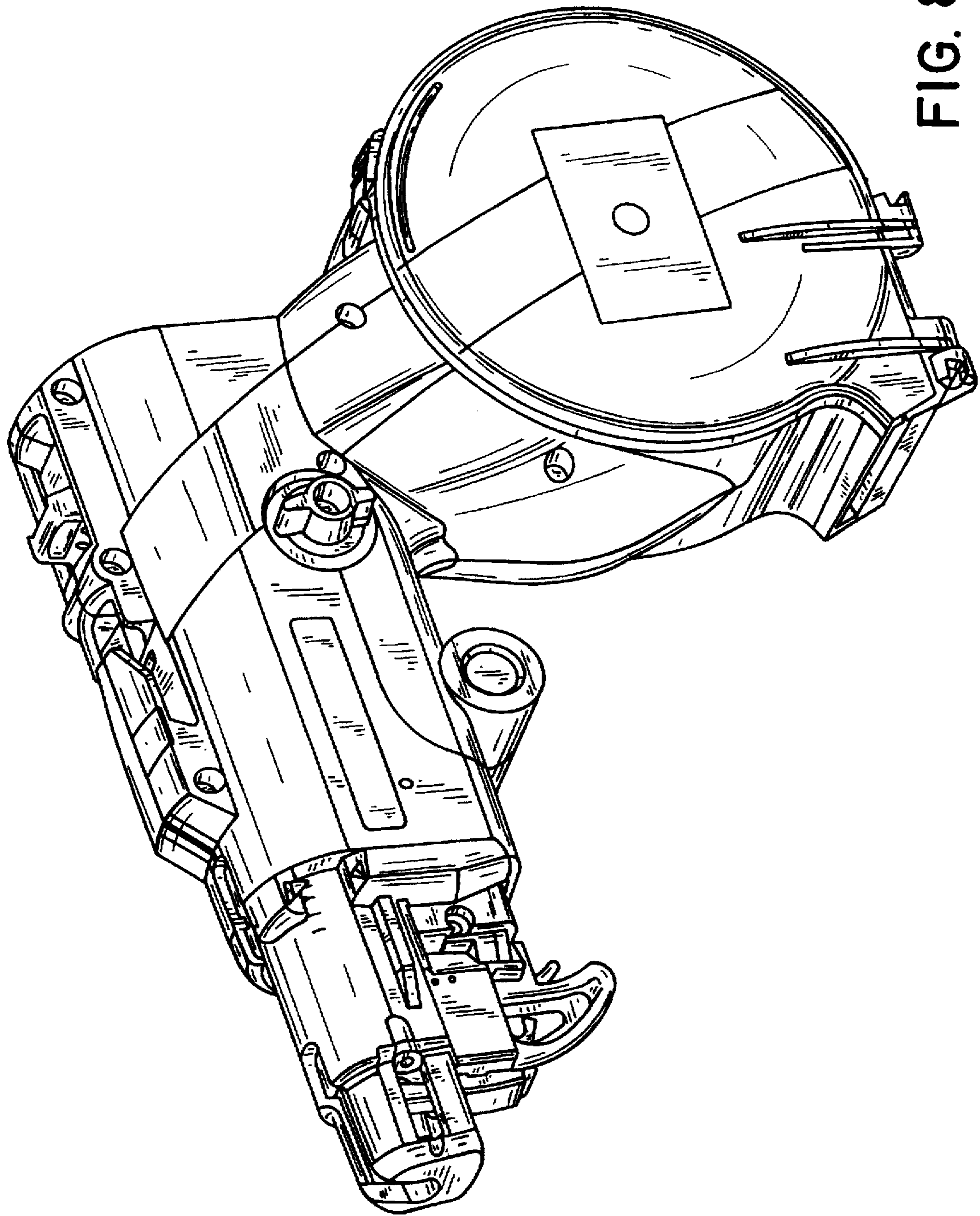


FIG. 8