



US00D392860S

# United States Patent [19]

Brown

[11] Patent Number: **Des. 392,860**

[45] Date of Patent: **\*\*Mar. 31, 1998**

## [54] POLE MOUNTED VACUUM SANDER

[76] Inventor: **Geoffrey P. Brown**, 1923 West 41st Avenue, Vancouver, British Columbia, Canada, V6M 1Y5

[\*\*] Term: **14 Years**

[21] Appl. No.: **66,115**

[22] Filed: **Feb. 5, 1997**

### Related U.S. Application Data

[63] Continuation of Ser. No. 49,773, Jan. 30, 1996, abandoned.

[51] LOC (6) Cl. .... **08-01**

[52] U.S. Cl. .... **D8/62**

[58] Field of Search ..... D8/61, 62, 70;  
D15/124, 126; 451/354, 355, 356, 456,  
524

### [56] References Cited

#### U.S. PATENT DOCUMENTS

D. 289,728	5/1987	Trout .....	D8/62
D. 353,313	12/1994	Stiles .....	D8/62
2,048,273	7/1936	Ljungquist .....	15/155
2,224,140	12/1940	Champayne .....	D8/62 X
2,283,428	5/1942	Ellis .....	15/155
3,039,463	6/1962	Dickey, Jr. et al. ....	128/276
3,071,799	1/1963	Jepson et al. ....	15/354
3,332,101	7/1967	Leinfelt et al. ....	15/321
3,517,669	6/1970	Buono et al. ....	128/276
3,527,111	9/1970	Zimmerman .....	74/110

3,754,354	8/1973	Franlinna .....	51/61
3,785,092	1/1974	Hutchins .....	51/170
3,834,388	9/1974	Sauer .....	128/276
4,062,152	12/1977	Mehrer .....	451/344
4,184,291	1/1980	Marton .....	51/170
4,202,140	5/1980	Alessio .....	51/395
4,616,449	10/1986	Marton .....	51/273
4,680,895	7/1987	Roestenberg .....	51/170
4,759,155	7/1988	Shaw .....	51/392
4,779,385	10/1988	Reiter .....	51/180
4,937,984	7/1990	Taranto .....	51/392
5,007,206	4/1991	Paterson .....	51/170
5,036,627	8/1991	Walters .....	451/456
5,283,988	2/1994	Brown .....	451/524

*Primary Examiner*—James Gandy  
*Assistant Examiner*—Robert M. Spear  
*Attorney, Agent, or Firm*—Merchant, Gould, Smith, Edell, Welter, & Schmidt, P.A.

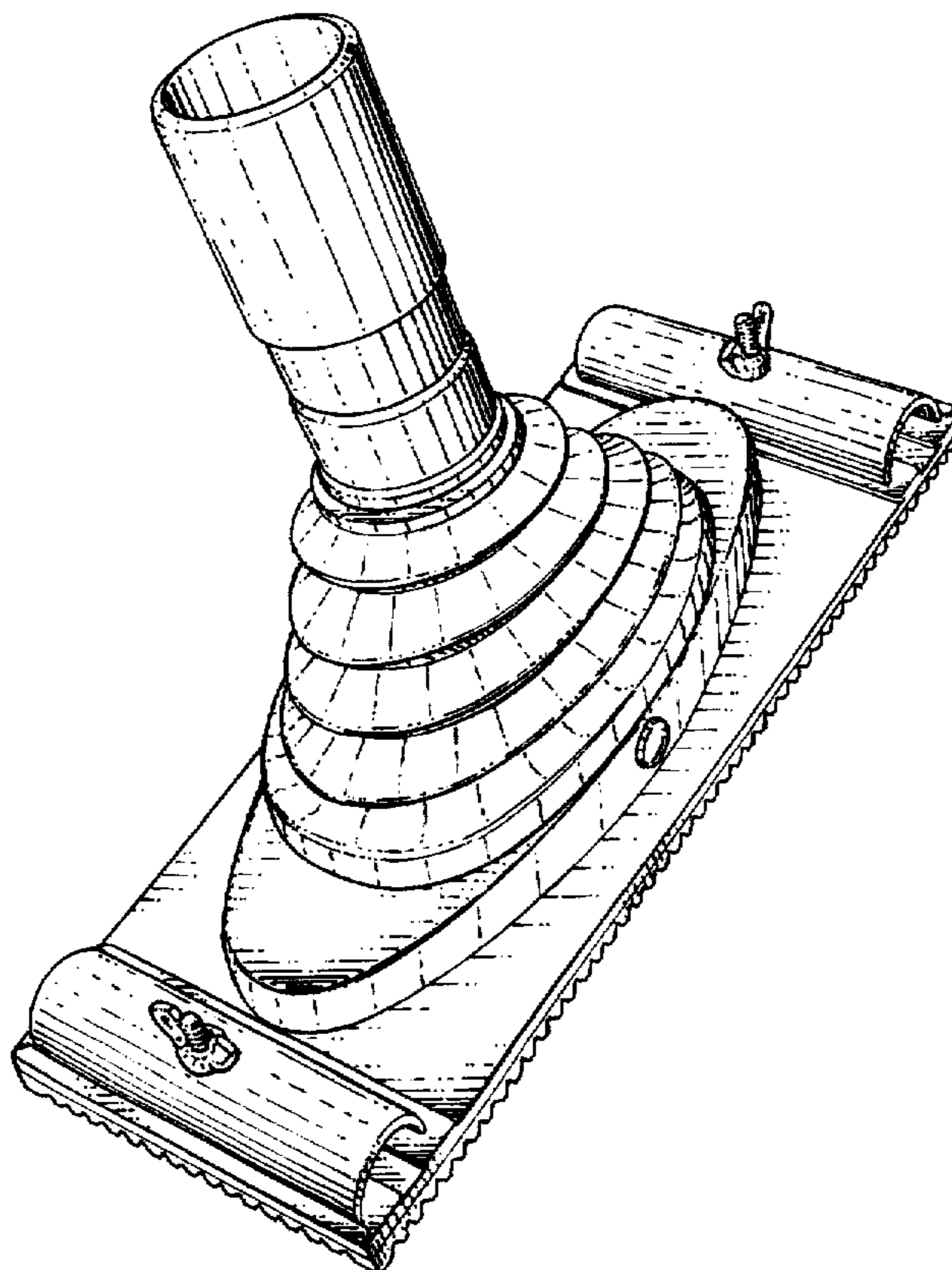
### [57] CLAIM

The ornamental design for a pole mounted vacuum sander, as shown and described.

### DESCRIPTION

FIG. 1 is a perspective view of the design;  
FIG. 2 is a right side view of the design, the left side view being a mirror image thereof;  
FIG. 3 is a bottom view of the design;  
FIG. 4 is a front view of the design;  
FIG. 5 is a top view of the design; and,  
FIG. 6 is a rear view of the design.

**1 Claim, 3 Drawing Sheets**



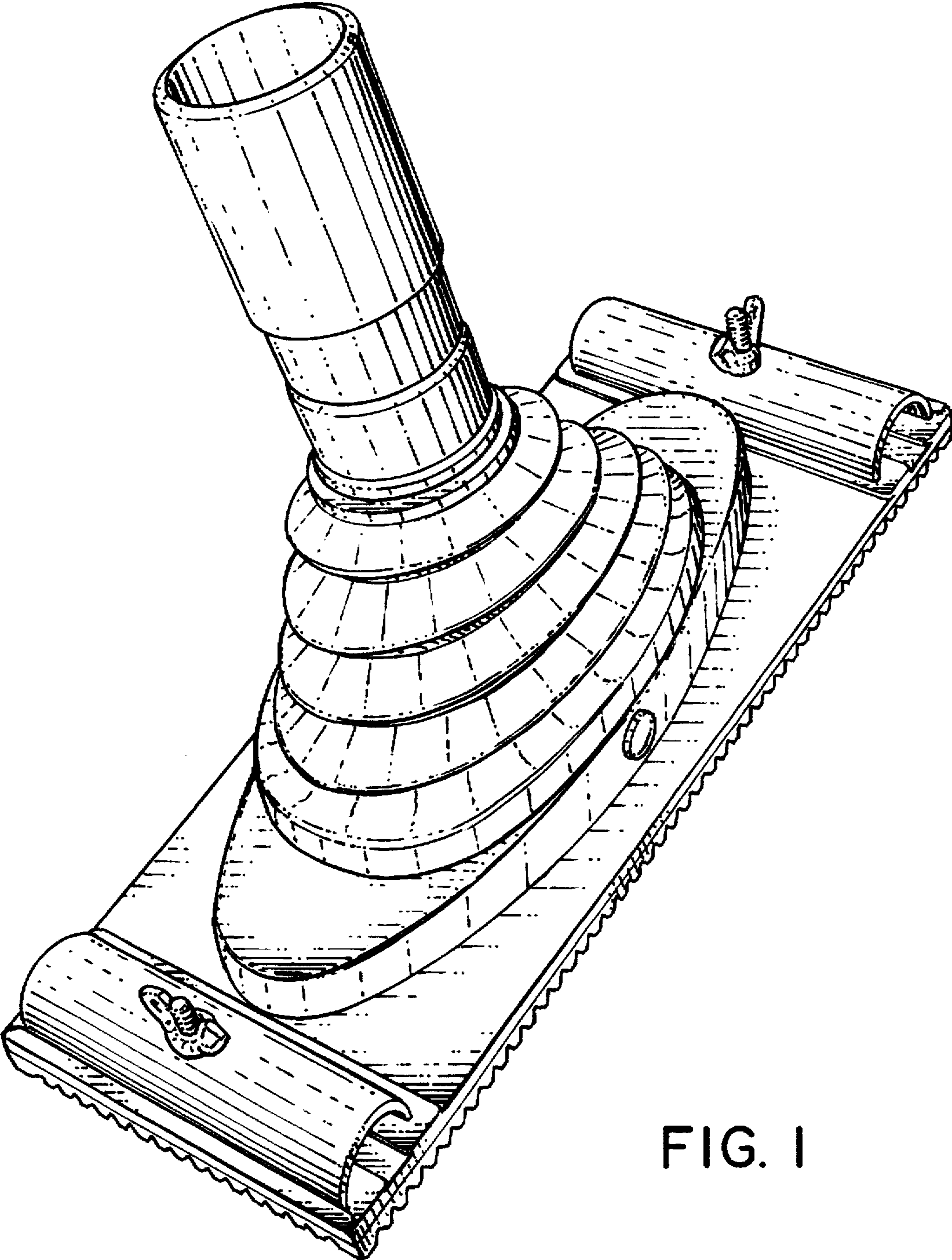


FIG. 1



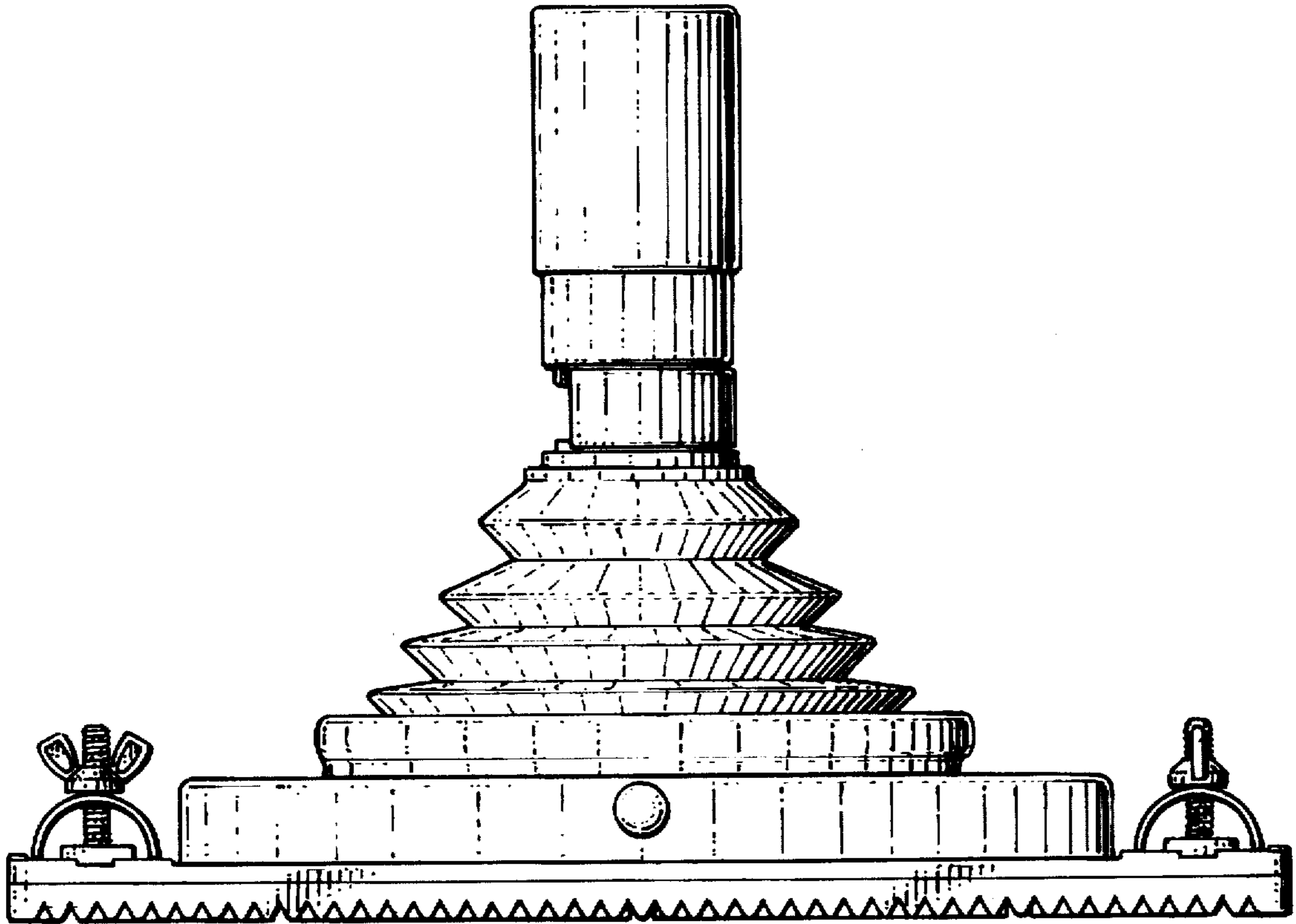


FIG. 2

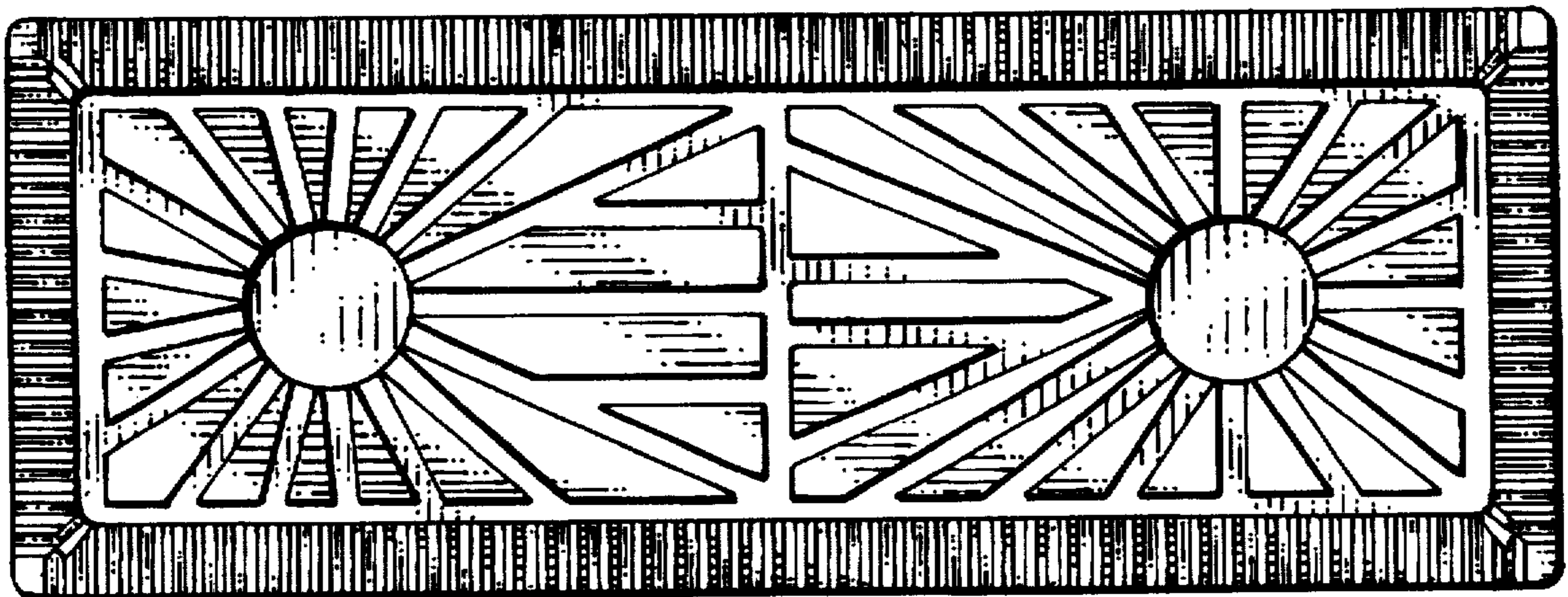


FIG. 3

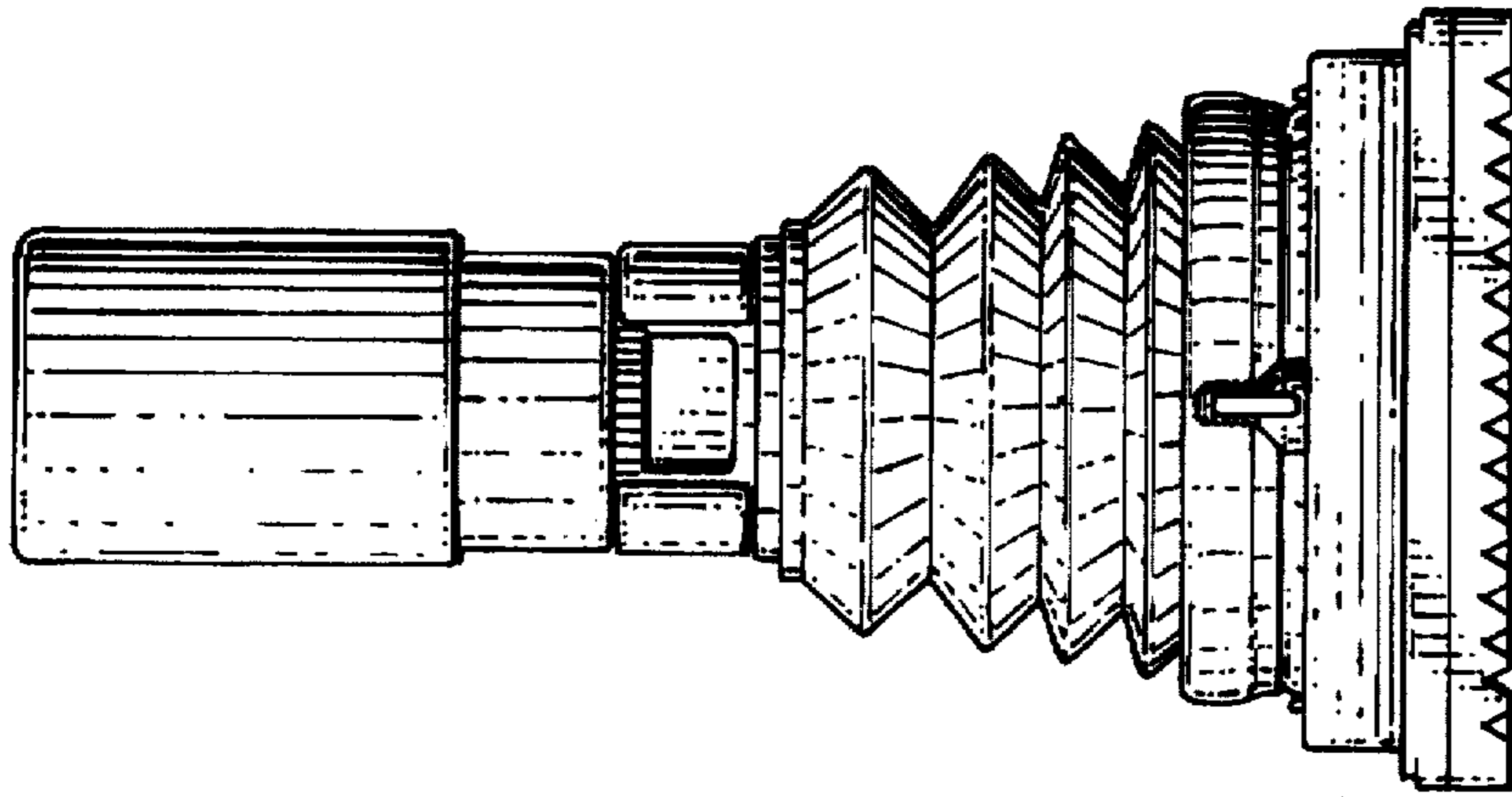


FIG. 6

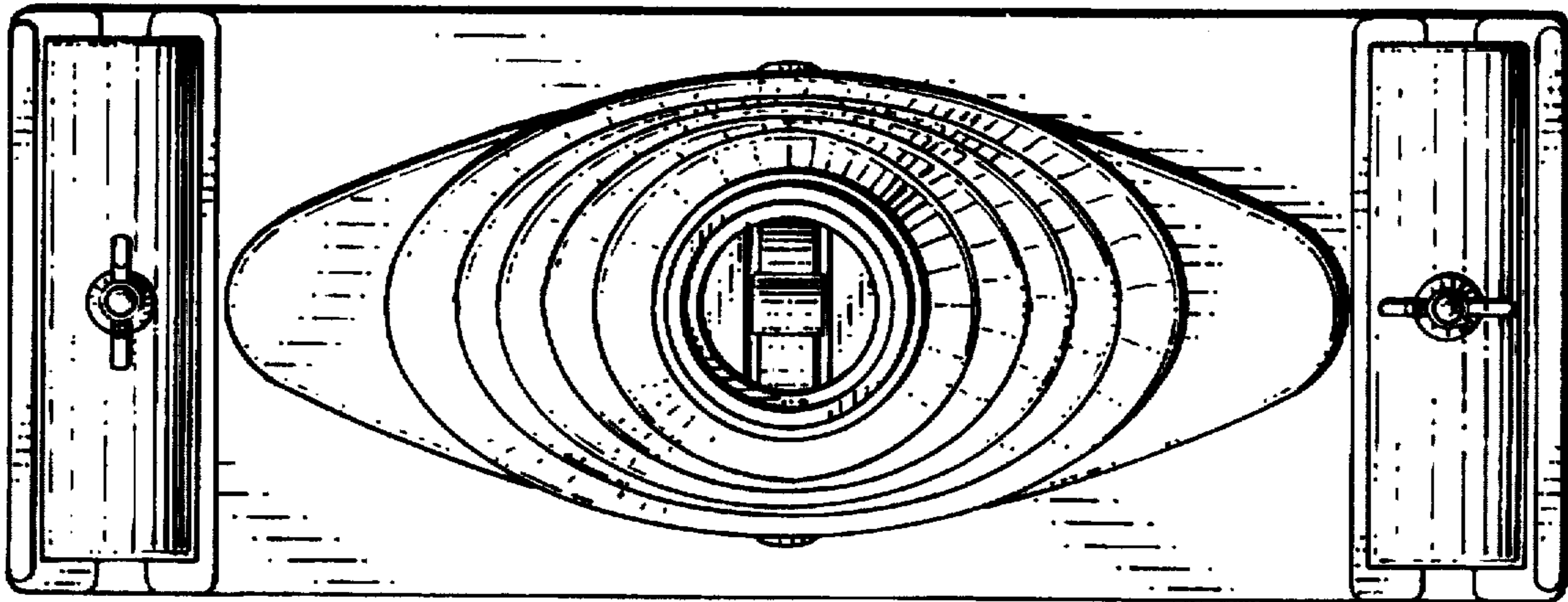


FIG. 5

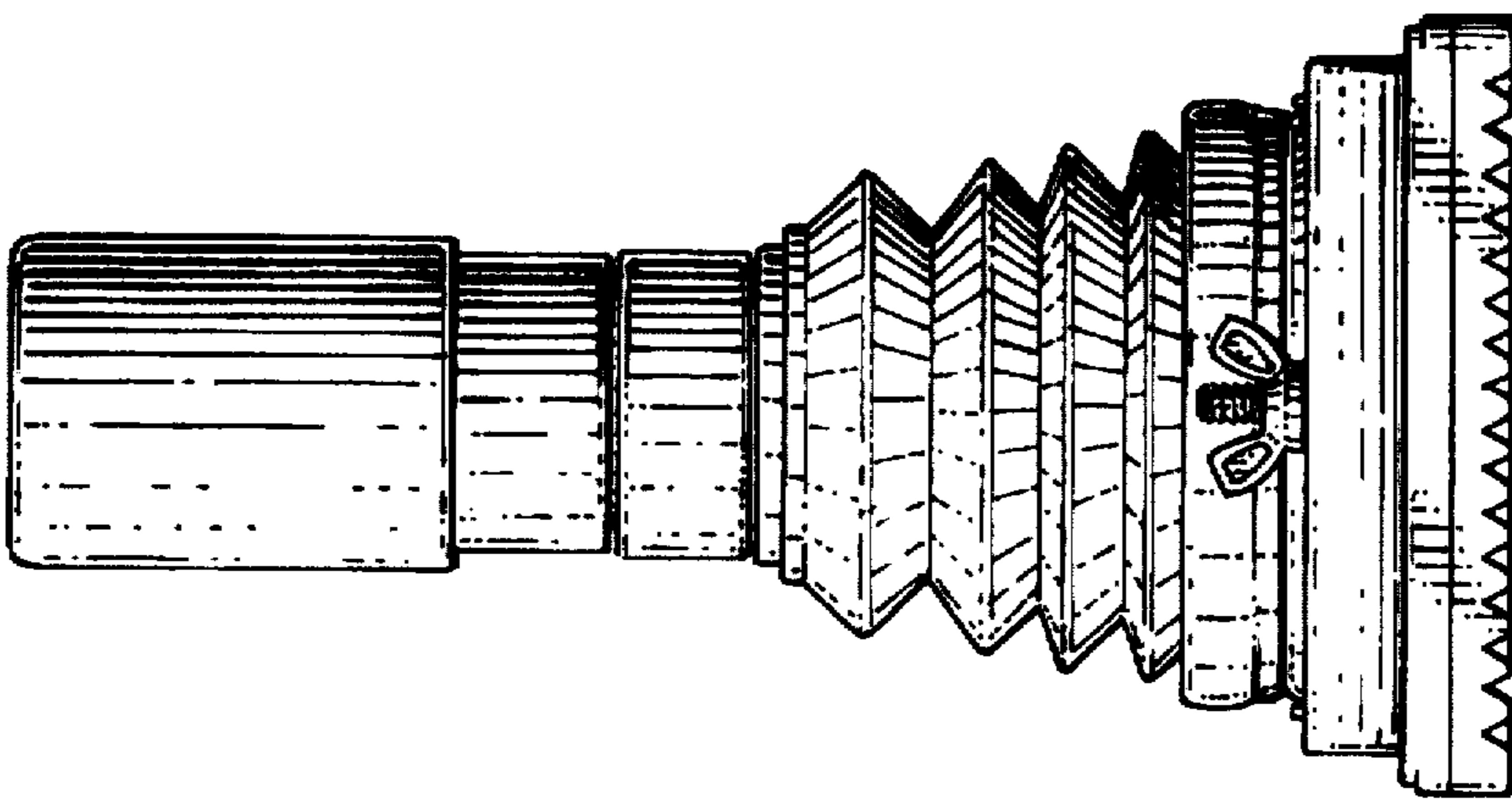


FIG. 4