



US00D392859S

United States Patent [19]
Gouge, Jr.

[11] **Patent Number: Des. 392,859**
[45] **Date of Patent: **Mar. 31, 1998**

[54] **PORTABLE POWER DRIVE**

[76] **Inventor: Lloyd V. Gouge, Jr.**, 2122 Rolling Oak La., Garland, Tex. 75044

[**] **Term: 14 Years**

[21] **Appl. No.: 71,401**

[22] **Filed: May 29, 1997**

[51] **LOC (6) Cl. 08-01**

[52] **U.S. Cl. D8/61**

[58] **Field of Search D8/61; 81/54, 81/57, 57.11, 57.14, 57.22, 476; 242/283, 323; 254/342, 344, 362, 371; 408/126; 470/67, 900**

[56] **References Cited**

U.S. PATENT DOCUMENTS

D. 326,804	6/1992	Schultz	D8/61
4,699,028	10/1987	Bosque	81/57.22
5,386,970	2/1995	Trant	254/362

OTHER PUBLICATIONS

Product brochure, "Easy Winch", distributed by Jomar Marine Products Corp., 16 Boulderbrook Raod, Greenwich, CT 06830-3514, published at least as early as Feb. 4, 1997 (3 sheets).

"Easy Winch vs. WinchMasters", published by *Practical Sailor*, Feb. 1, 1996, pp. 16-18.

Primary Examiner—Antoine Duval Davis
Attorney, Agent, or Firm—Dennis T. Griggs

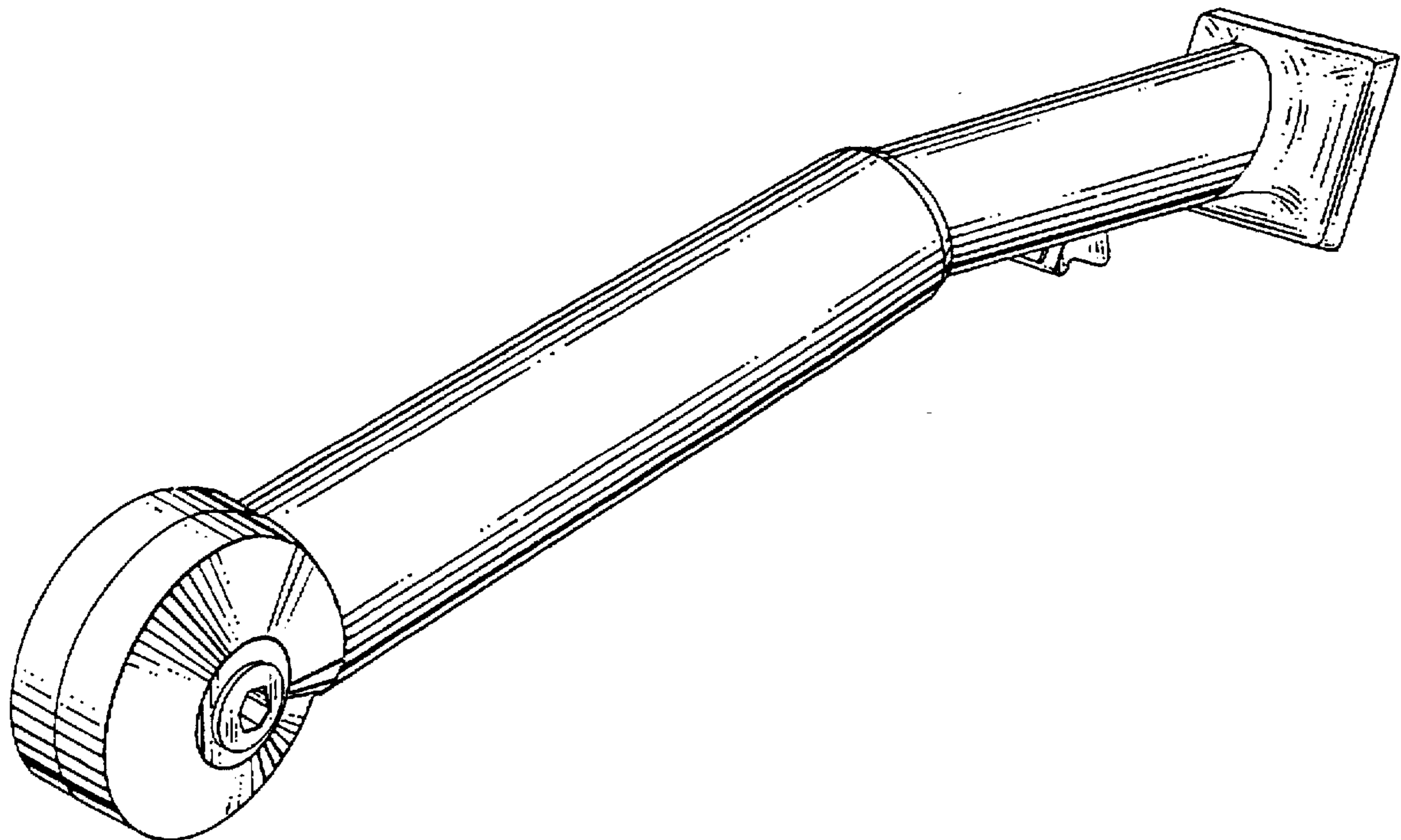
[57] **CLAIM**

The ornamental design for a portable power drive, as shown and described.

DESCRIPTION

FIG. 1 is a right side elevational view of a portable power drive showing my new design;
FIG. 2 is a top plan view thereof;
FIG. 3 is a bottom plan view thereof;
FIG. 4 is a perspective view thereof;
FIG. 5 is a front elevational view thereof;
FIG. 6 is a rear elevational view thereof;
FIG. 7 is a right side elevational view of a portable power drive which illustrates and alternative embodiment of my new design;
FIG. 8 is a top plan view thereof;
FIG. 9 is a bottom plan view thereof;
FIG. 10 is a perspective view thereof;
FIG. 11 is a front elevational view thereof; and,
FIG. 12 is a rear elevational view thereof.

1 Claim, 4 Drawing Sheets



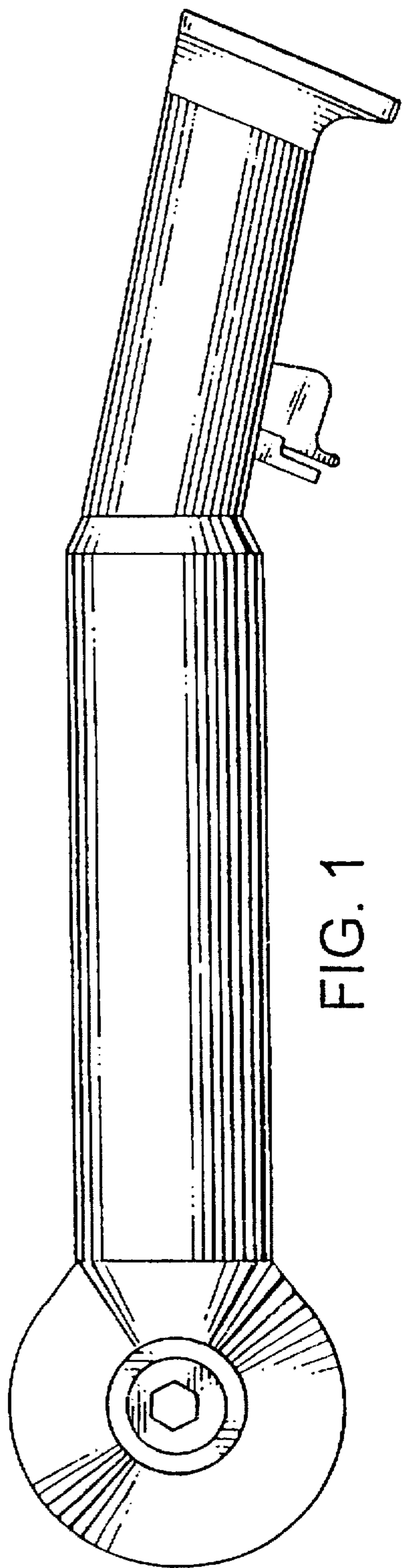


FIG. 1

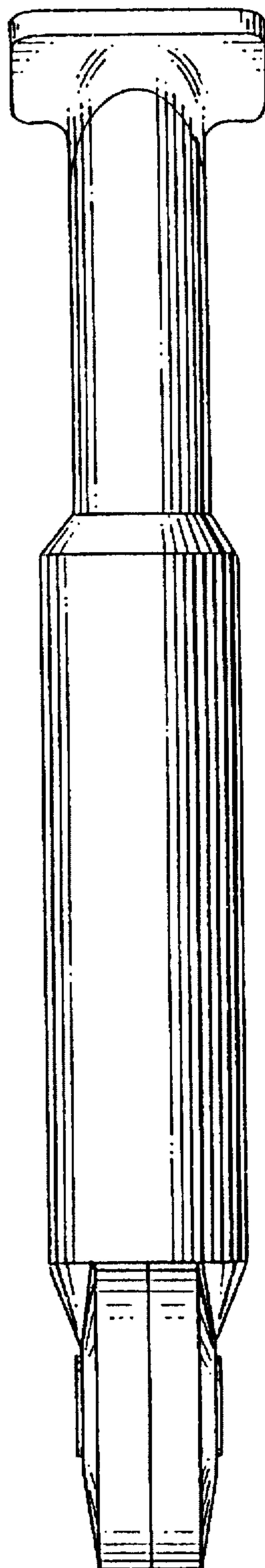


FIG. 2

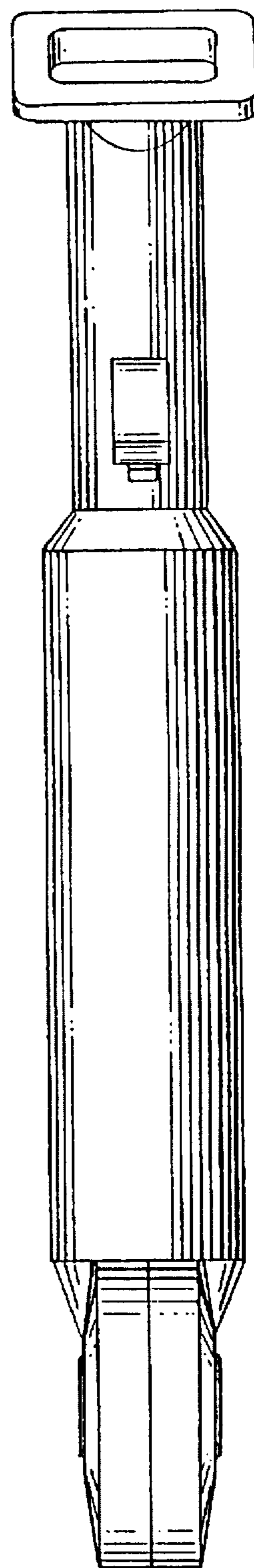


FIG. 3

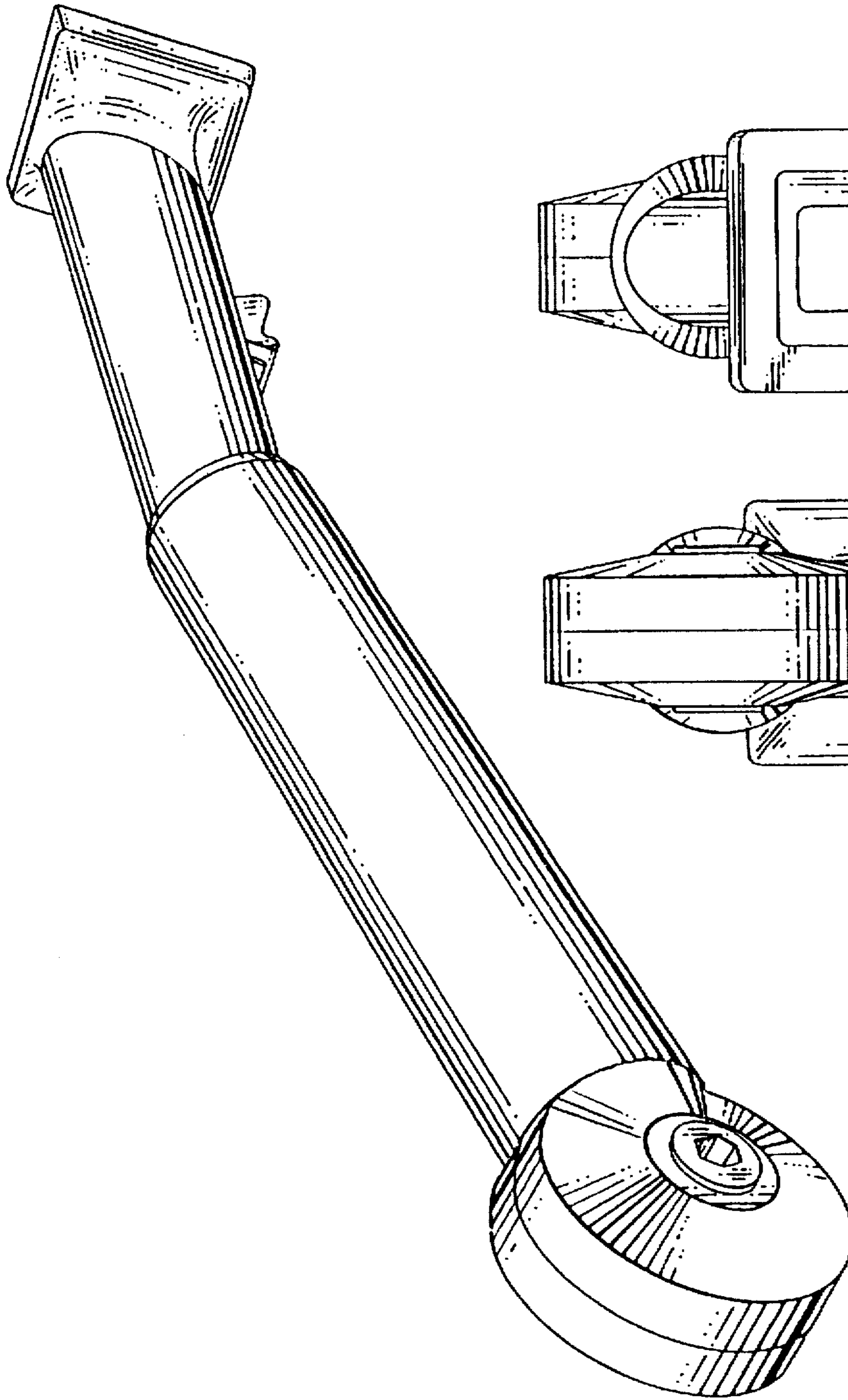


FIG. 4

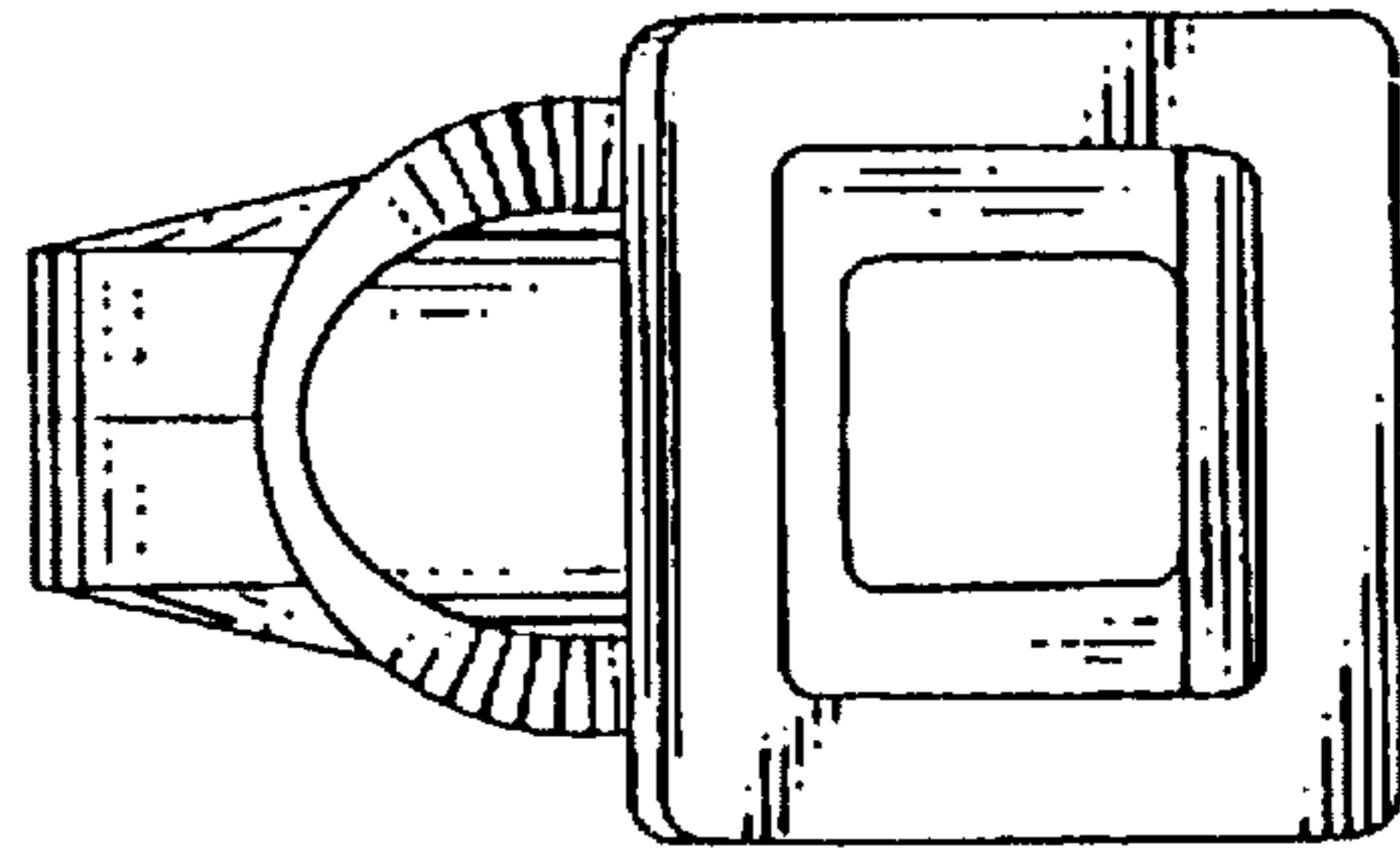


FIG. 6

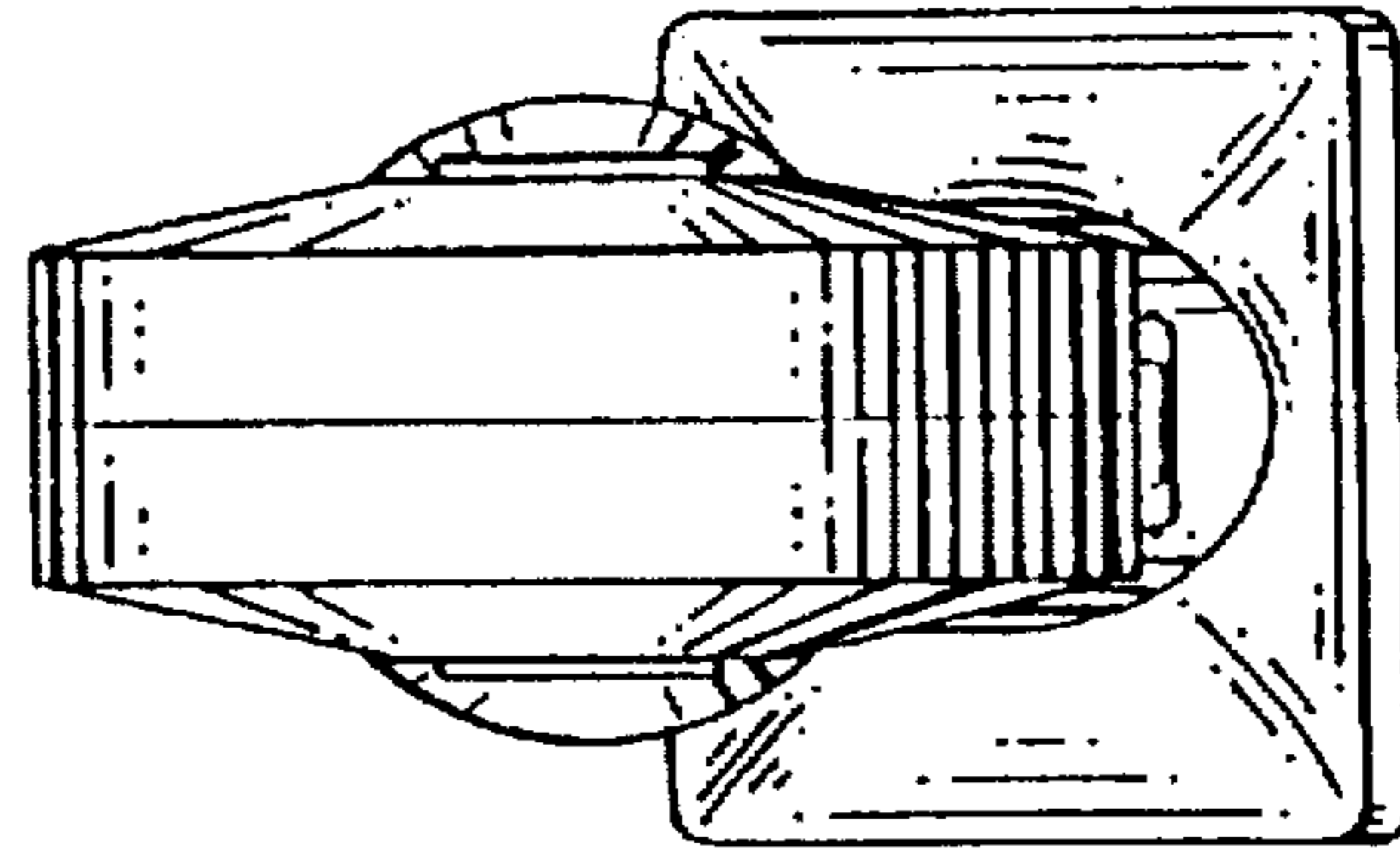


FIG. 5

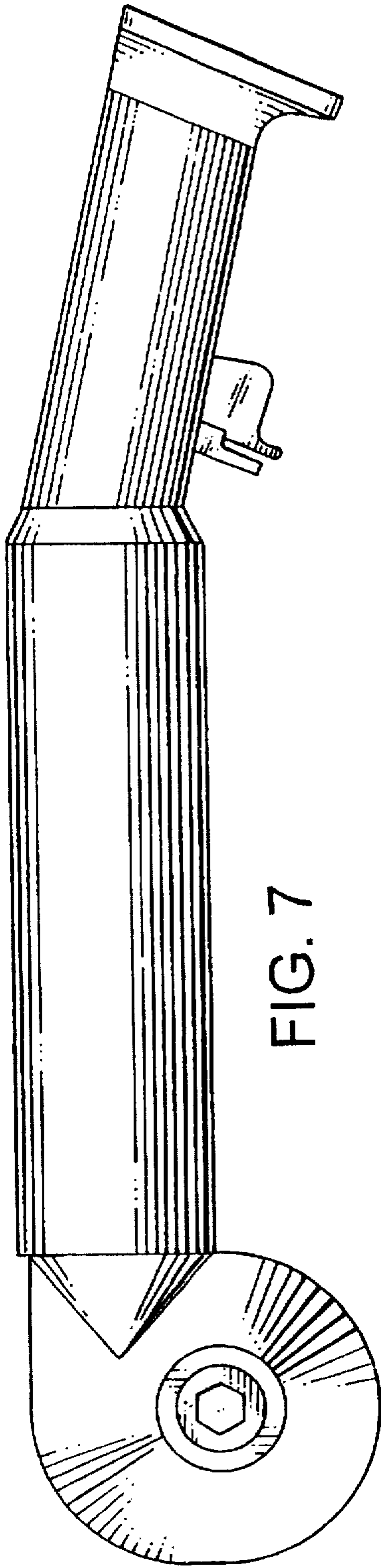


FIG. 7

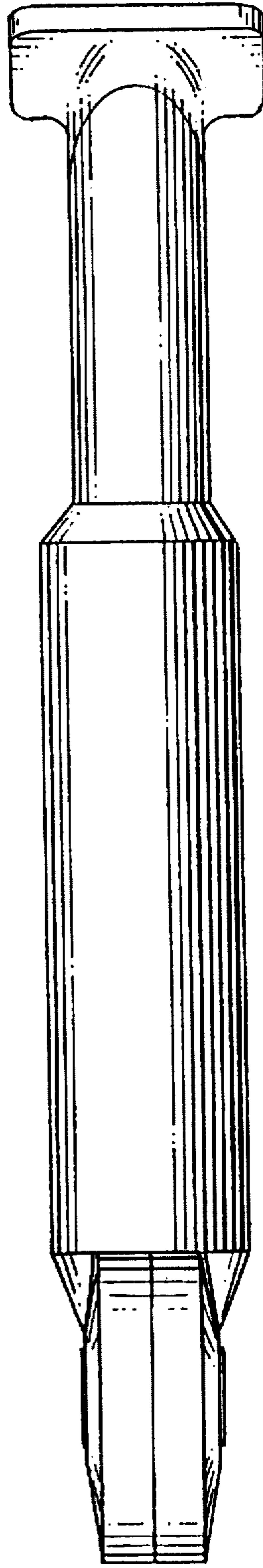


FIG. 8

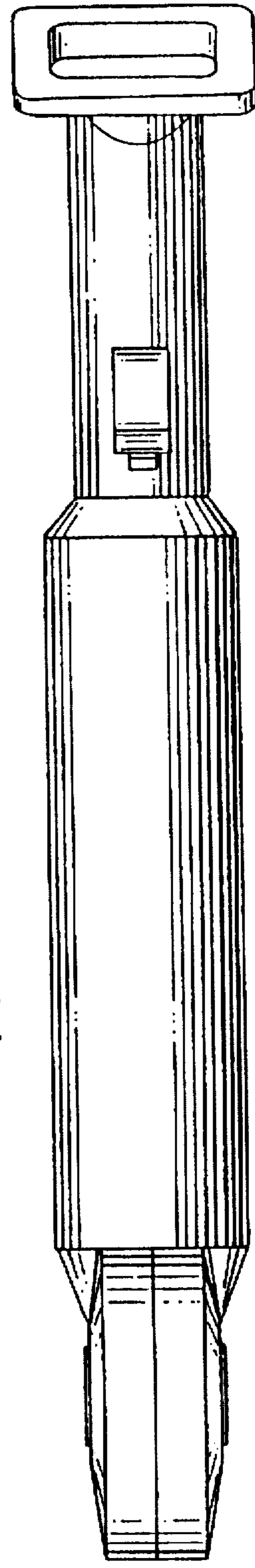


FIG. 9

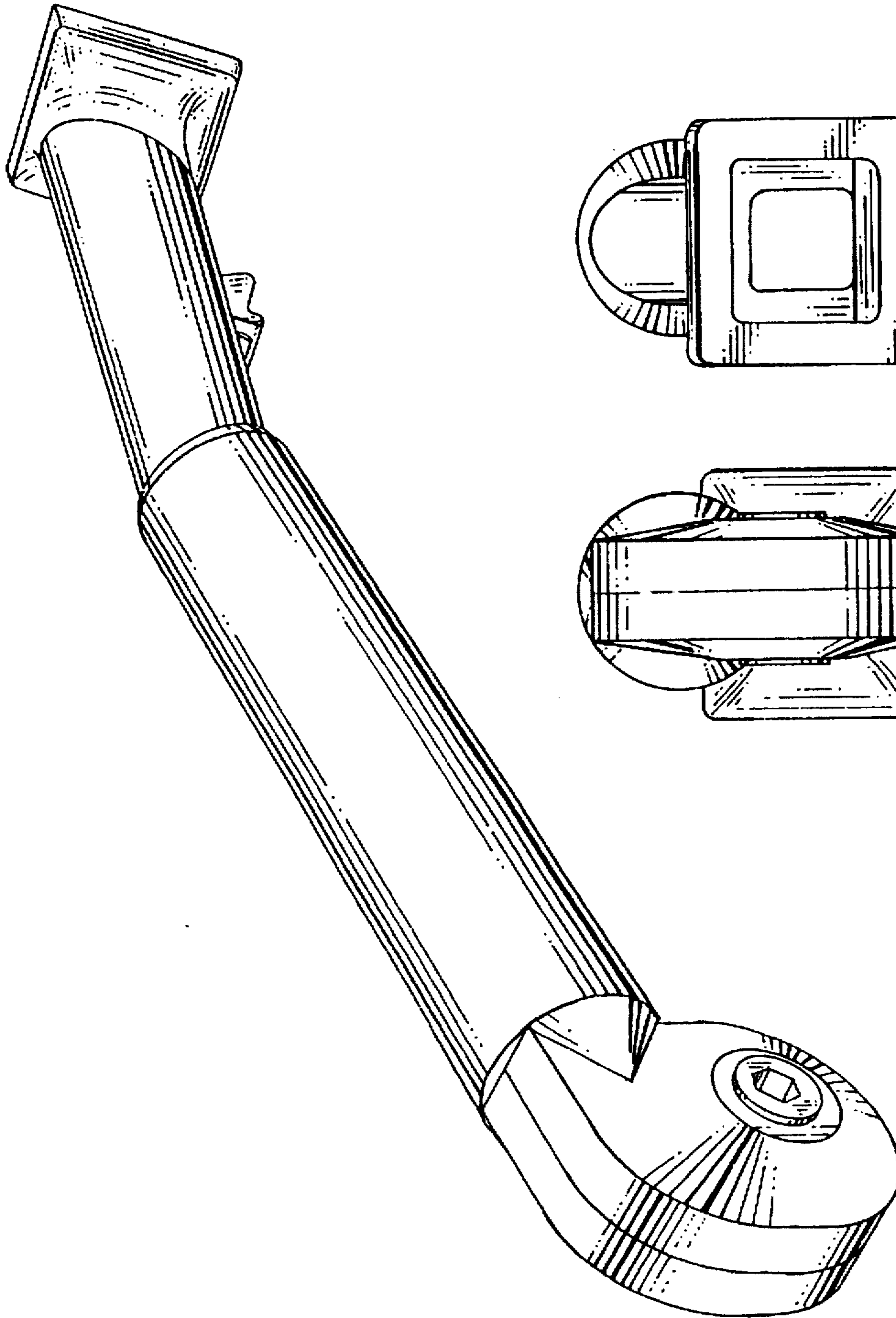


FIG. 10

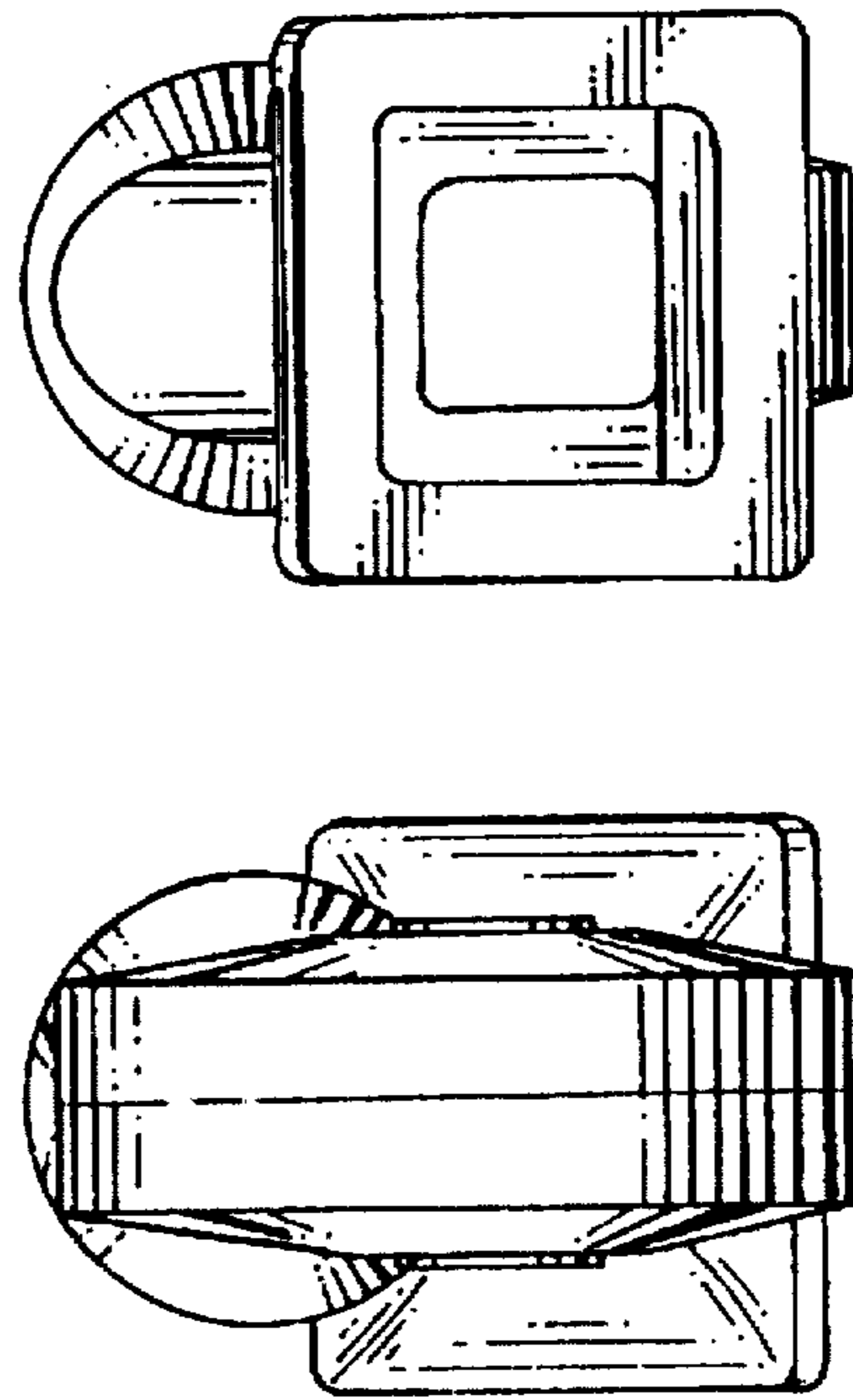


FIG. 11

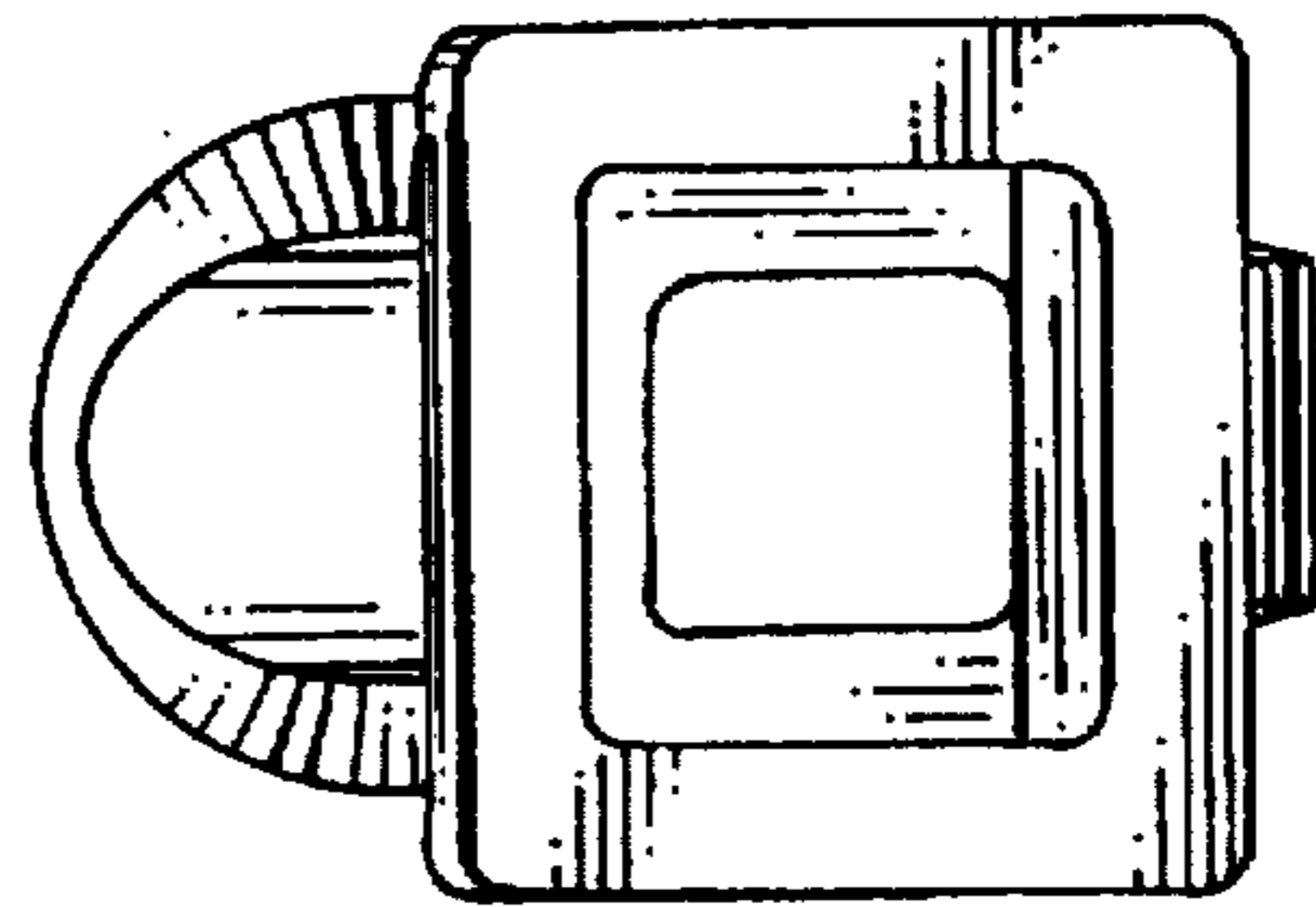


FIG. 12

UNITED STATES PATENT AND TRADEMARK OFFICE
CERTIFICATE OF CORRECTION

PATENT NO. : Des. 392,859
DATED : Mar. 31, 1998
INVENTOR(S) : Lloyd V. Gouge, Jr.

It is certified that error appears in the above-identified patent and that said Letters Patent is hereby corrected as shown below:

DESCRIPTION, FIG. 7, second line, "and" should be -- an --.

Signed and Sealed this
Sixteenth Day of June, 1998

Attest:



BRUCE LEHMAN

Attesting Officer

Commissioner of Patents and Trademarks