

US00D392854S

**United States Patent** [19]  
**Gregory**

[11] **Patent Number: Des. 392,854**  
[45] **Date of Patent: \*\*\*Mar. 31, 1998**

[54] **RAKE HEAD**

[75] **Inventor: Brad C. Gregory, Cedar Falls, Iowa**

[73] **Assignee: Standard Golf Company, Cedar Falls, Iowa**

[\*] **Notice: The terminal 55 months of this patent has been disclaimed.**

[\*\*] **Term: 14 Years**

[21] **Appl. No.: 609,224**

[22] **Filed: Nov. 5, 1990**

[51] **LOC (6) Cl. .... 08-01**

[52] **U.S. Cl. .... D8/13**

[58] **Field of Search ..... D8/13; 294/51-57; 56/400.07**

[56] **References Cited**

**U.S. PATENT DOCUMENTS**

D. 270,226	8/1983	Scarsciotti .....	D8/13
599,368	2/1898	Starkwether .....	56/400.07 X
3,328,067	6/1967	Winkler .....	294/54.5
3,344,863	10/1967	Hastings .....	294/51 X
4,741,150	5/1988	Saksun .....	56/400.21

**OTHER PUBLICATIONS**

Spencer Gifts, 1959, p. 21, Snowplow, circled item on right of page.

Union Fork and Hoe Company Catalog, Dec. 4, 1986, p. 22, Barn Scraper, item 1 on left side of page.

*Primary Examiner*—Wallace R. Burke

*Assistant Examiner*—H. Baynham

*Attorney, Agent, or Firm*—Zarley, McKee, Thomte, Voorhees, & Sease

[57] **CLAIM**

The ornamental design for a rake head, as shown.

**DESCRIPTION**

FIG. 1 is a perspective view of a rake head showing my new design;

FIG. 2 is a side elevational view thereof with the opposite side being a mirror image thereof;

FIG. 3 is a front elevational view thereof;

FIG. 4 is a top plan view thereof;

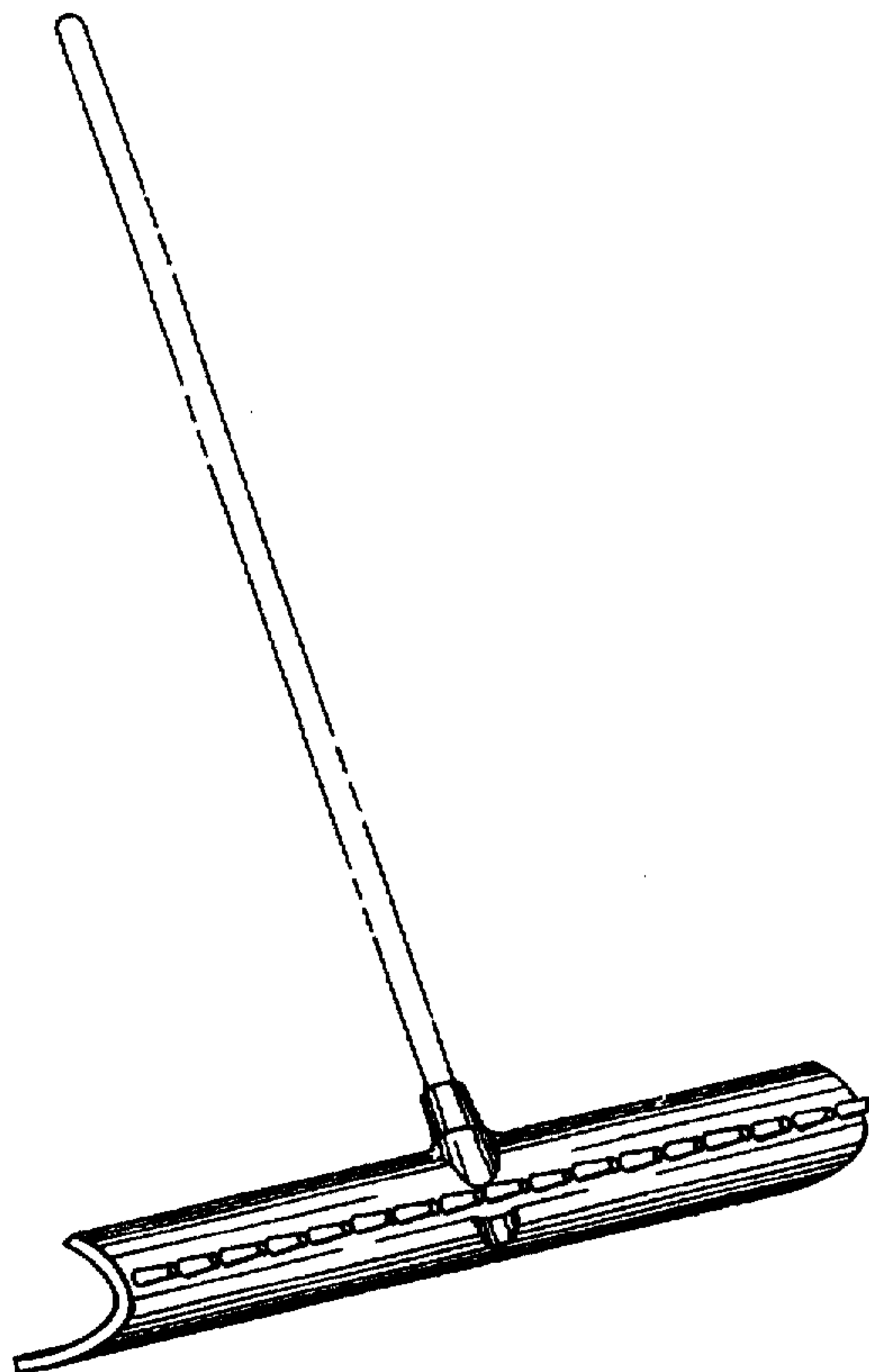
FIG. 5 is a bottom plan view thereof;

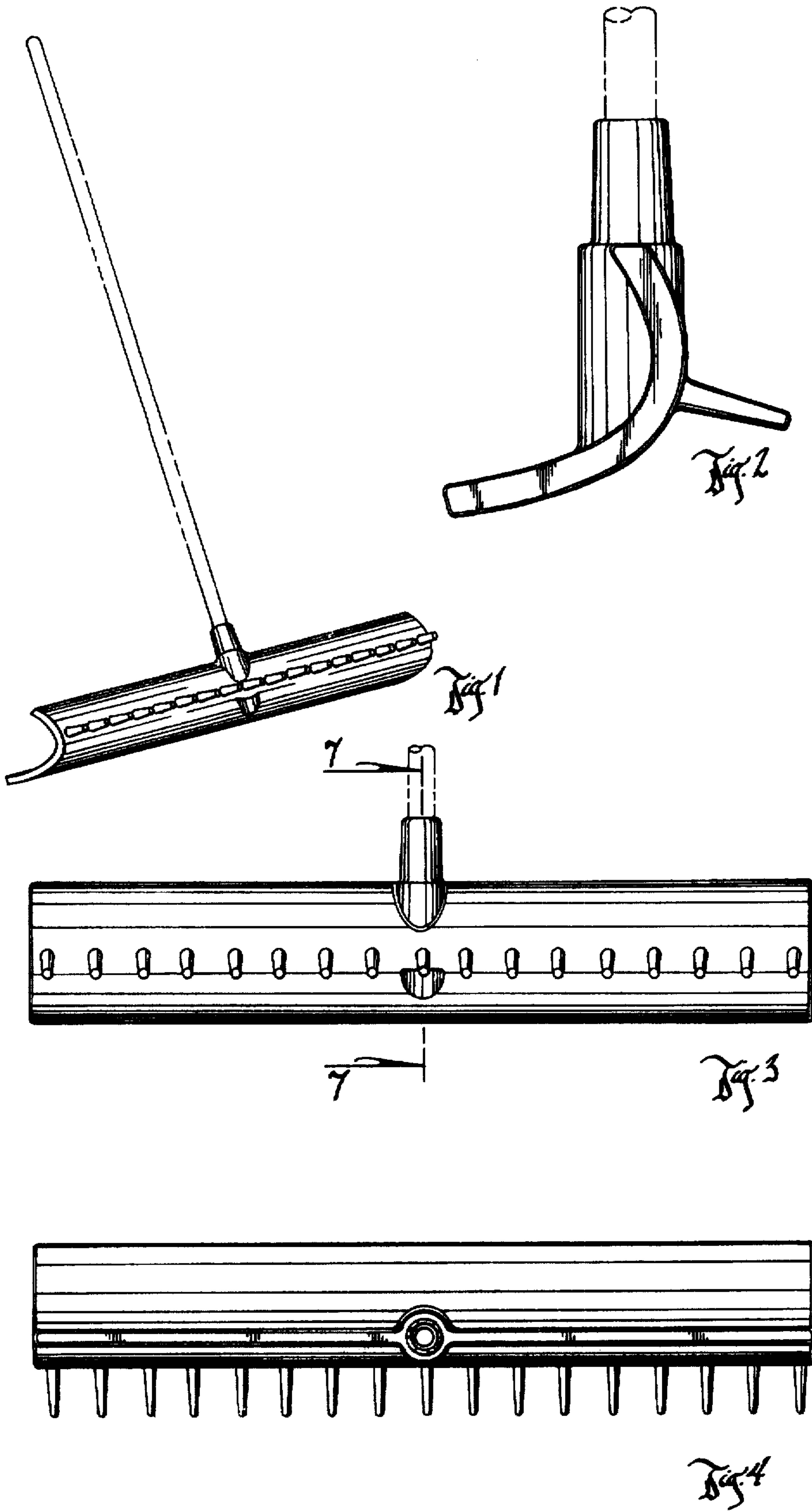
FIG. 6 is a rear elevational view thereof; and,

FIG. 7 is a sectional view thereof taken along line 7—7 of FIG. 3.

The broken line showing of a rake handle is for illustrative purposes only and forms no part of the claimed design.

**1 Claim, 2 Drawing Sheets**





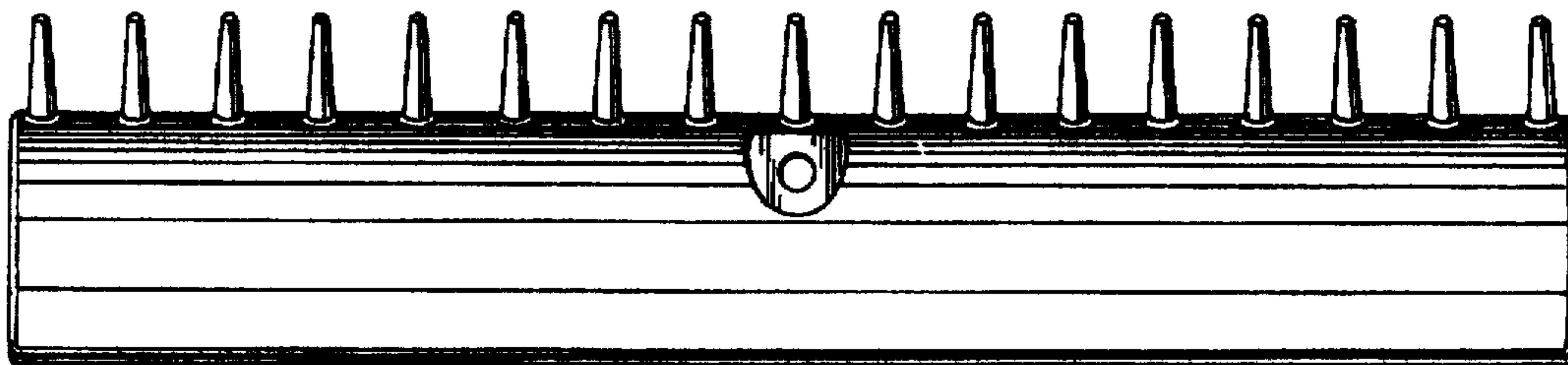


Fig. 5

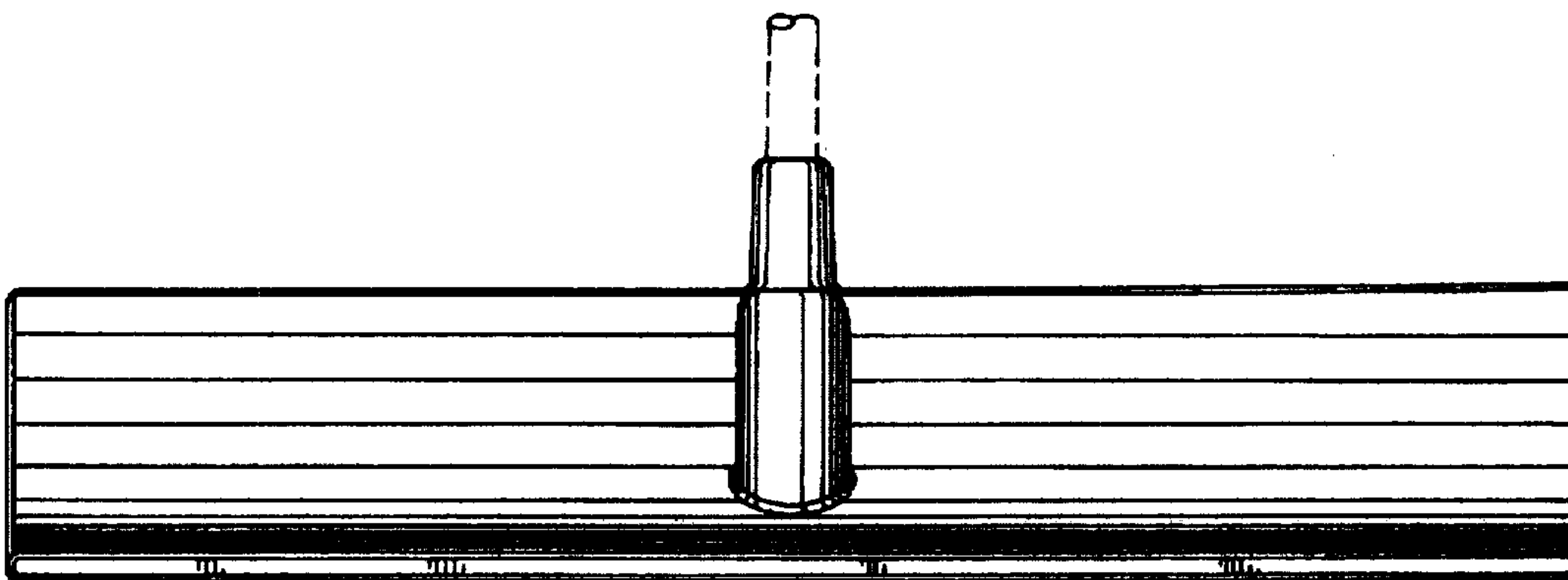


Fig. 6

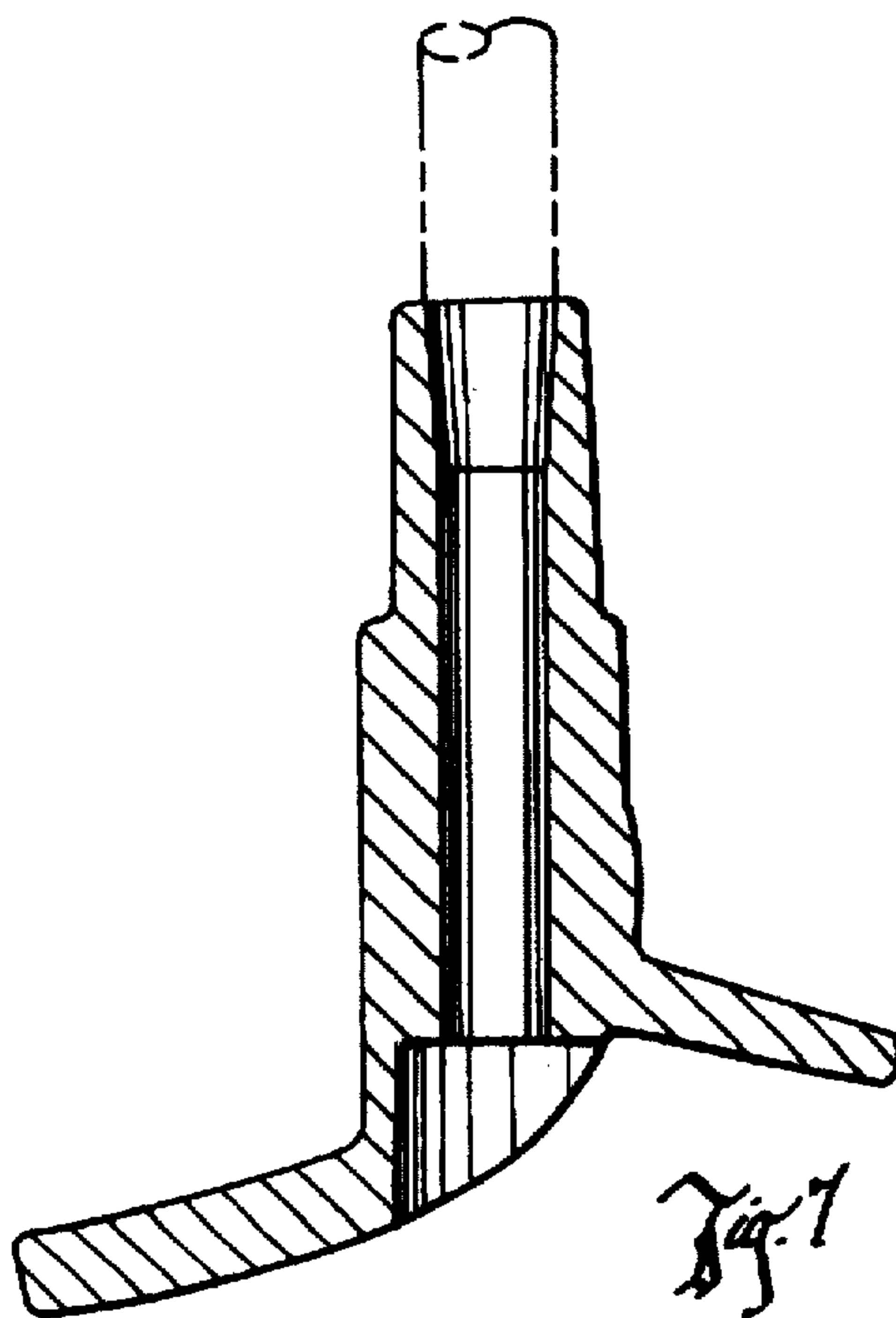


Fig. 7