



US00D392853S

United States Patent [19]
Hardison

[11] **Patent Number: Des. 392,853**
[45] **Date of Patent: **Mar. 31, 1998**

[54] **SUPPORT FOR LAWN AND GARDEN ORNAMENTS**

[76] **Inventor: Stewart Hardison, P.O. Box 333, Bainbridge, N.Y. 13733**

[**] **Term: 14 Years**

[21] **Appl. No.: 71,338**

[22] **Filed: May 28, 1997**

[51] **LOC (6) Cl. 08-01**

[52] **U.S. Cl. D8/1; D6/403**

[58] **Field of Search D8/1; D6/403, D6/405; D11/148; 211/71, 196, 205; 47/39, 41.01; 248/159, 167**

[56] **References Cited**

U.S. PATENT DOCUMENTS

D. 76,899	11/1928	Salterini	D6/403
1,371,796	3/1921	Loudon	D6/403
2,794,554	6/1957	Donner	D11/148 X
4,991,344	2/1991	Carney	47/39
5,037,049	8/1991	Funk	47/39
5,487,476	1/1996	Barfield	D6/405 X

OTHER PUBLICATIONS

The Hookery Brochure, The Crane PC-3 90" Tall Aug. 15, 1995.

American Classics, Rail Planter, Shepherd's Hook, p. 4, Aug. 15, 1995.

Primary Examiner—Doris V. Coles

Assistant Examiner—Catherine R. Oliver

Attorney, Agent, or Firm—Richard G. Stephens

[57] **CLAIM**

The ornamental design for a support for lawn and garden ornaments, as shown.

DESCRIPTION

FIG. 1 is a front elevation view of a support for lawn and garden ornaments showing my new design;

FIG. 2 is a right side elevation view thereof;

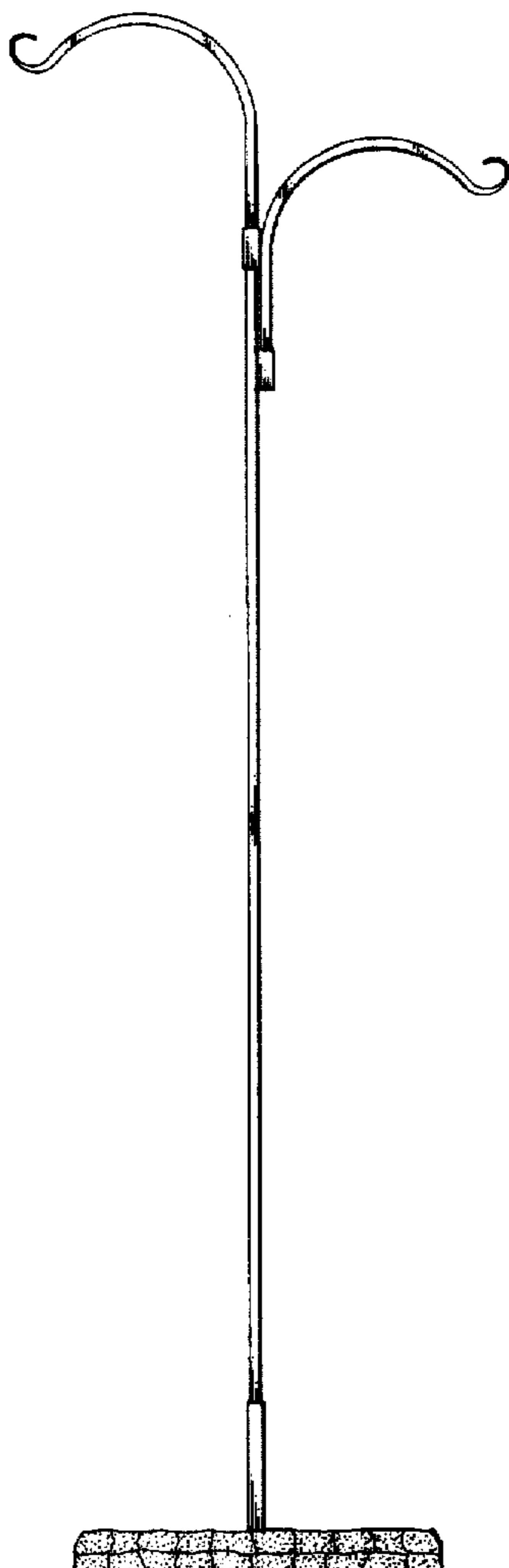
FIG. 3 is a rear elevation view thereof;

FIG. 4 is a left side elevation view thereof;

FIG. 5 is a top view thereof; and,

FIG. 6 is a bottom view thereof.

1 Claim, 3 Drawing Sheets



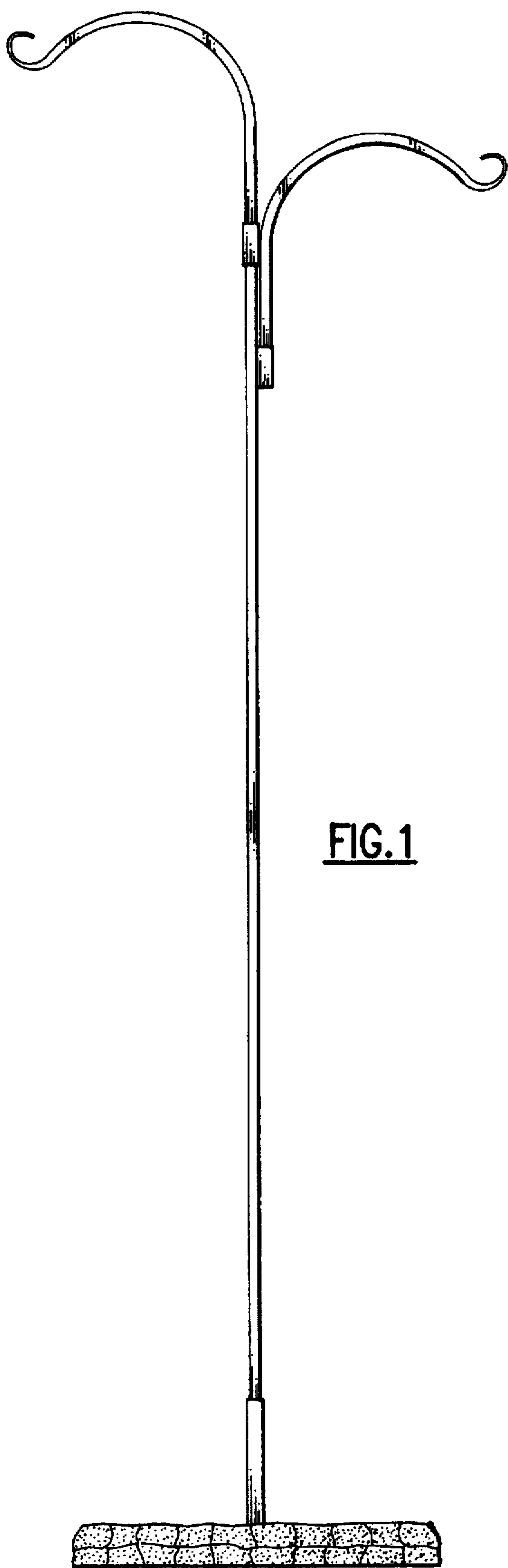


FIG. 1

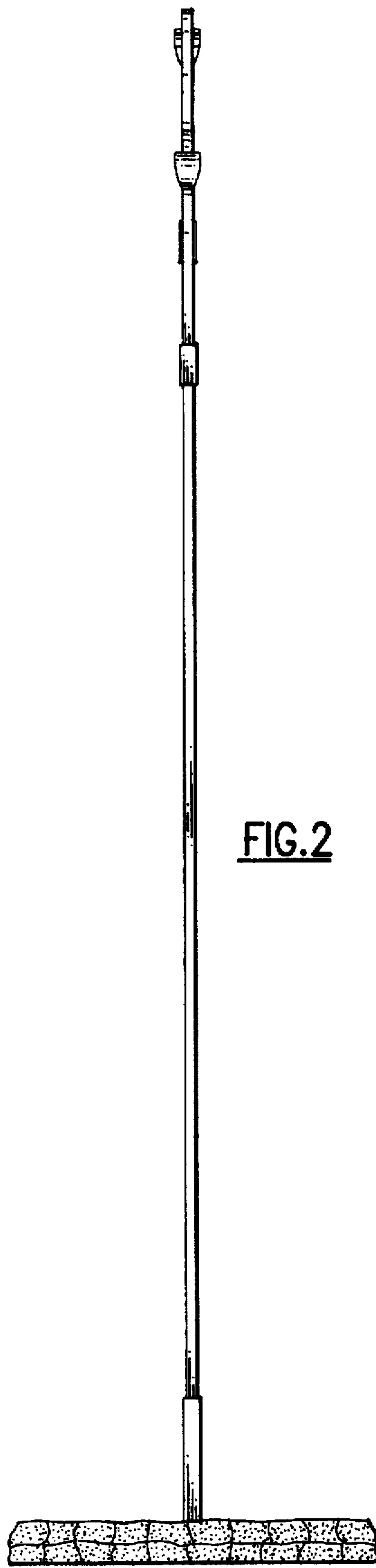


FIG. 2

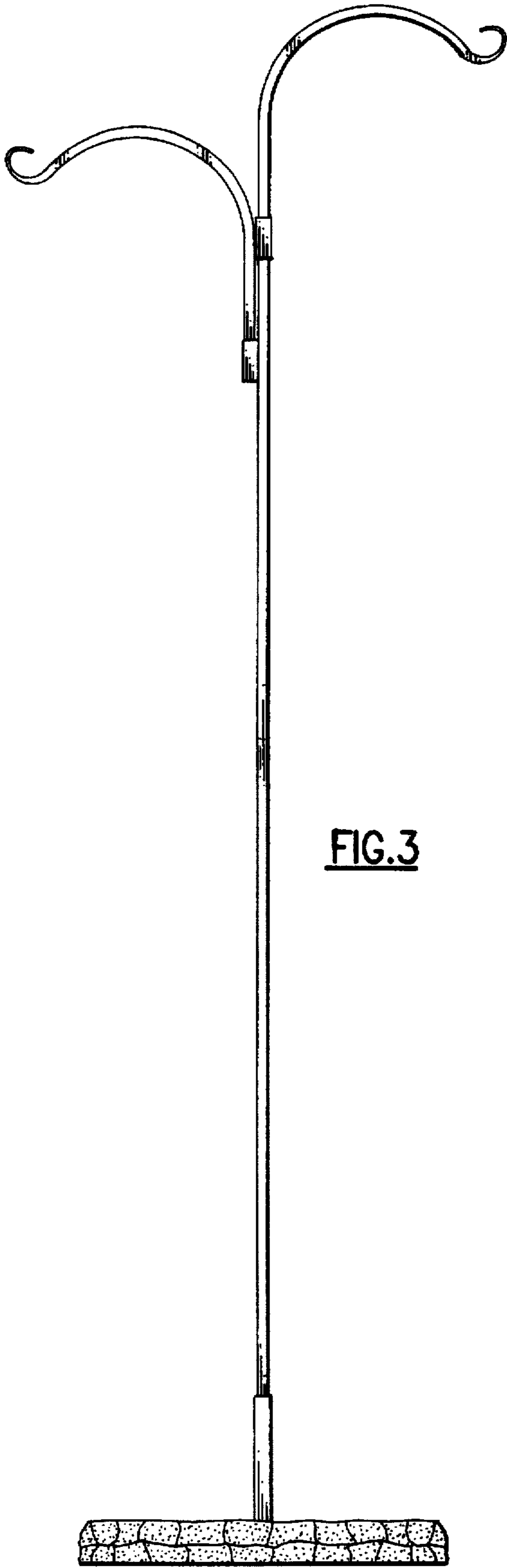


FIG. 3

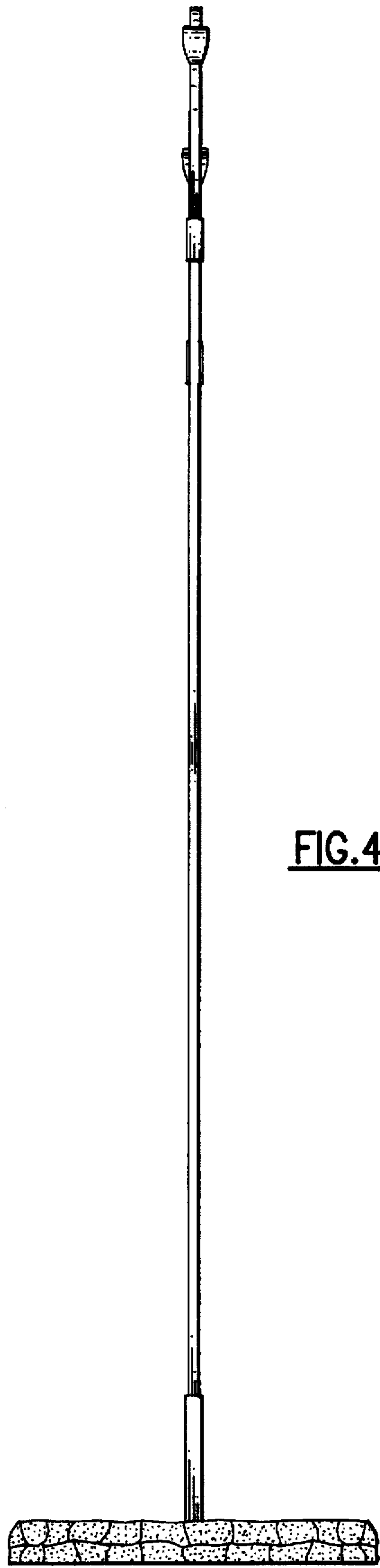


FIG. 4

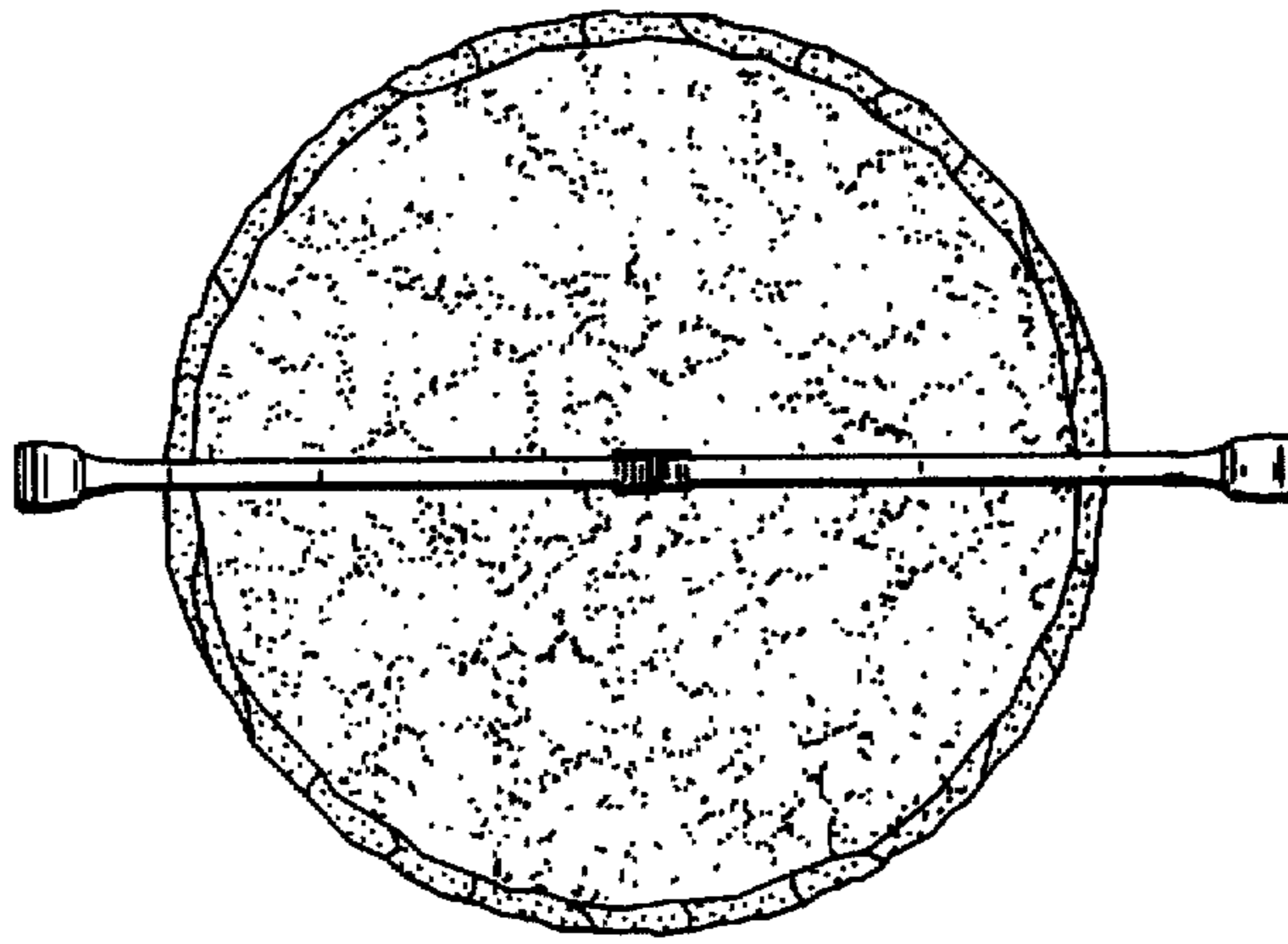


FIG. 5

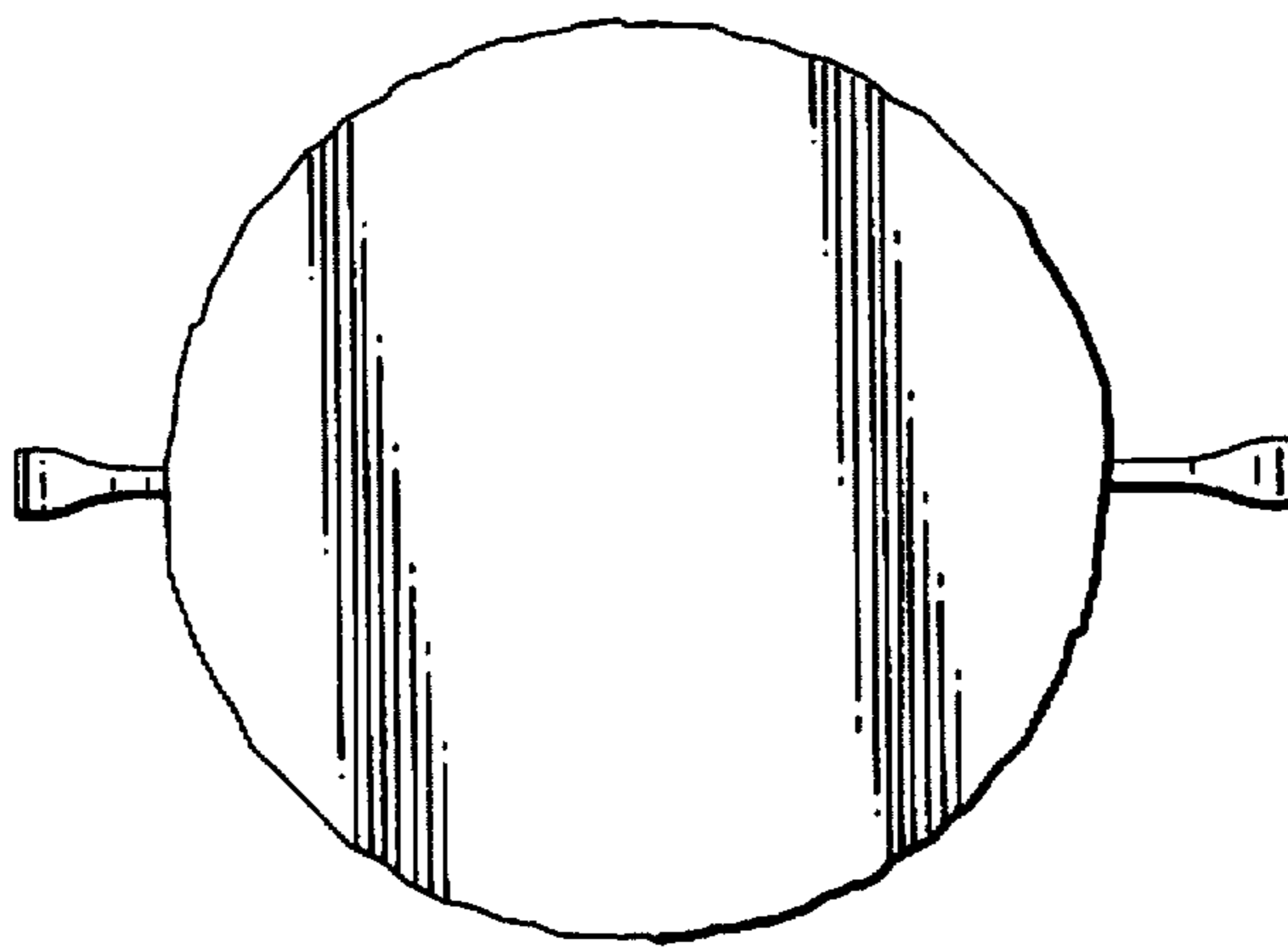


FIG. 6